



US00D691184S

(12) **United States Design Patent**  
**Clark et al.**

(10) **Patent No.:** **US D691,184 S**  
(45) **Date of Patent:** **\*\* Oct. 8, 2013**

(54) **WALL MOUNTED ADHESIVE MELTER**

**DESCRIPTION**

- (71) Applicant: **Nordson Corporation**, Westlake, OH (US)
- (72) Inventors: **Justin A. Clark**, Sugar Hill, GA (US);  
**David R. Jeter**, Woodstock, GA (US);  
**Robert J. Woodlief**, Suwanee, GA (US)
- (73) Assignee: **Nordson Corporation**, Westlake, OH (US)
- (\*\*) Term: **14 Years**
- (21) Appl. No.: **29/435,698**
- (22) Filed: **Oct. 26, 2012**
- (51) **LOC (9) Cl.** ..... **15-09**
- (52) **U.S. Cl.**  
USPC ..... **D15/144.2**
- (58) **Field of Classification Search**  
USPC ..... D15/144, 144.1, 144.2; D34/7; 219/421,  
219/426, 601; 222/146.5, 152, 156, 189.06,  
222/386, 389, 397, 405, 420-426, 430, 431;  
266/200; 432/161  
See application file for complete search history.

(56) **References Cited**

U.S. PATENT DOCUMENTS

3,876,105	A *	4/1975	Kelling	.....	222/56
4,456,151	A *	6/1984	Lewellen	.....	222/146.5
5,407,101	A *	4/1995	Hubbard	.....	222/146.5
D360,422	S *	7/1995	Frates et al.	.....	D15/144
5,680,961	A *	10/1997	Boccagno et al.	.....	222/143
D388,800	S *	1/1998	Zook et al.	.....	D15/144
5,715,972	A *	2/1998	Siddiqui	.....	222/146.5

(Continued)

*Primary Examiner* — Patricia Palasik

(74) *Attorney, Agent, or Firm* — Wood, Herron & Evan, L.L.P.

(57) **CLAIM**

The ornamental design for a wall mounted adhesive melter, as shown and described.

FIG. 1 is a perspective view of the wall mounted adhesive melter according to a first embodiment of the present invention.

FIG. 2 is a front elevational view of the wall mounted adhesive melter according to the first embodiment of the invention.

FIG. 3 is a right side elevational view of the wall mounted adhesive melter according to the first embodiment of the invention.

FIG. 4 is a rear side elevational view of the wall mounted adhesive melter according to the first embodiment of the invention.

FIG. 5 is a left side elevational view of the wall mounted adhesive melter according to the first embodiment of the invention.

FIG. 6 is a top elevational view of the wall mounted adhesive melter according to the first embodiment of the invention.

FIG. 7 is a bottom elevational view of the wall mounted adhesive melter according to the first embodiment of the invention.

FIG. 8 is a perspective view of the wall mounted adhesive melter according to a second embodiment of the present invention.

FIG. 9 is a front elevational view of the wall mounted adhesive melter according to the second embodiment of the invention.

FIG. 10 is a right side elevational view of the wall mounted adhesive melter according to the second embodiment of the invention.

FIG. 11 is a rear side elevational view of the wall mounted adhesive melter according to the second embodiment of the invention.

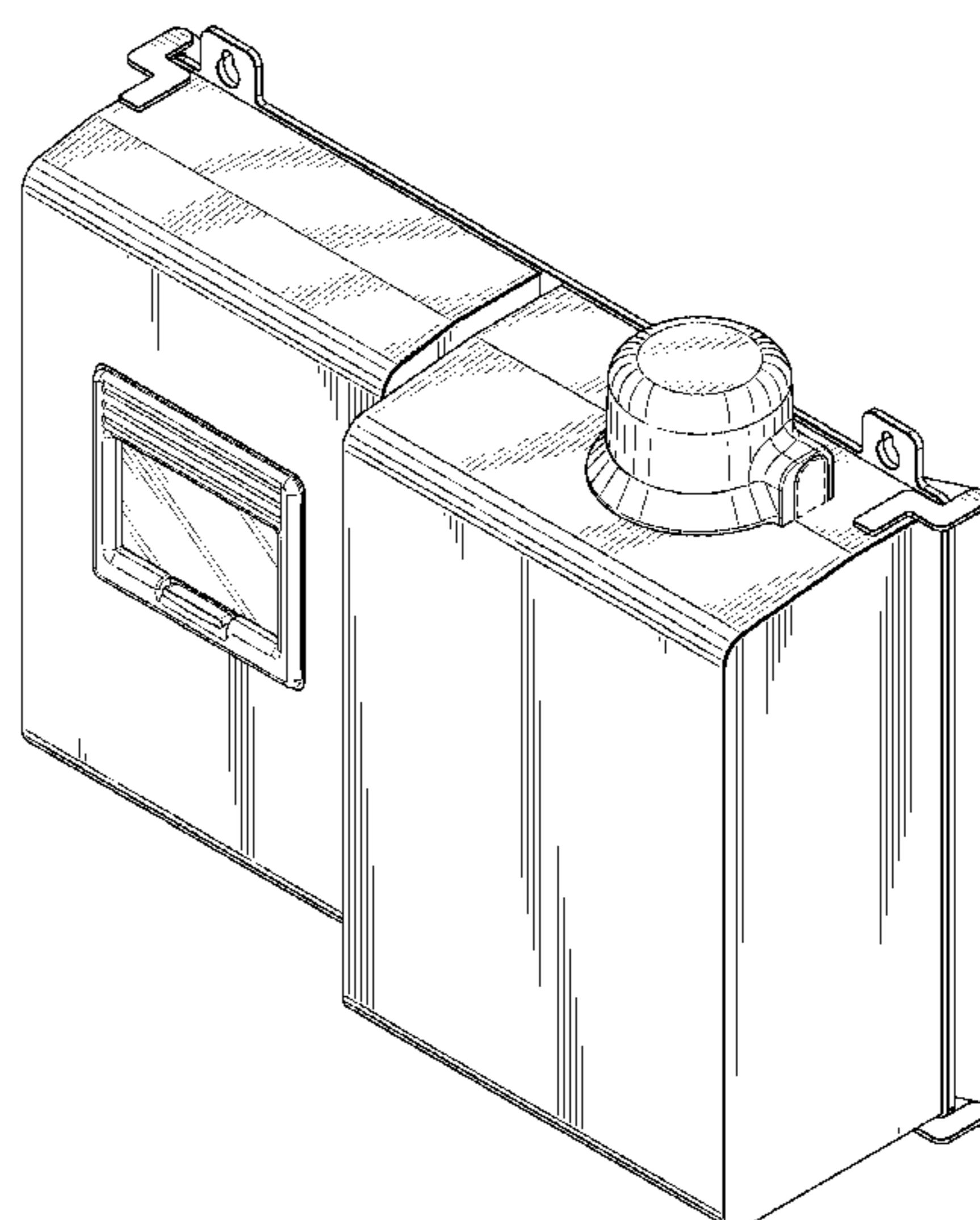
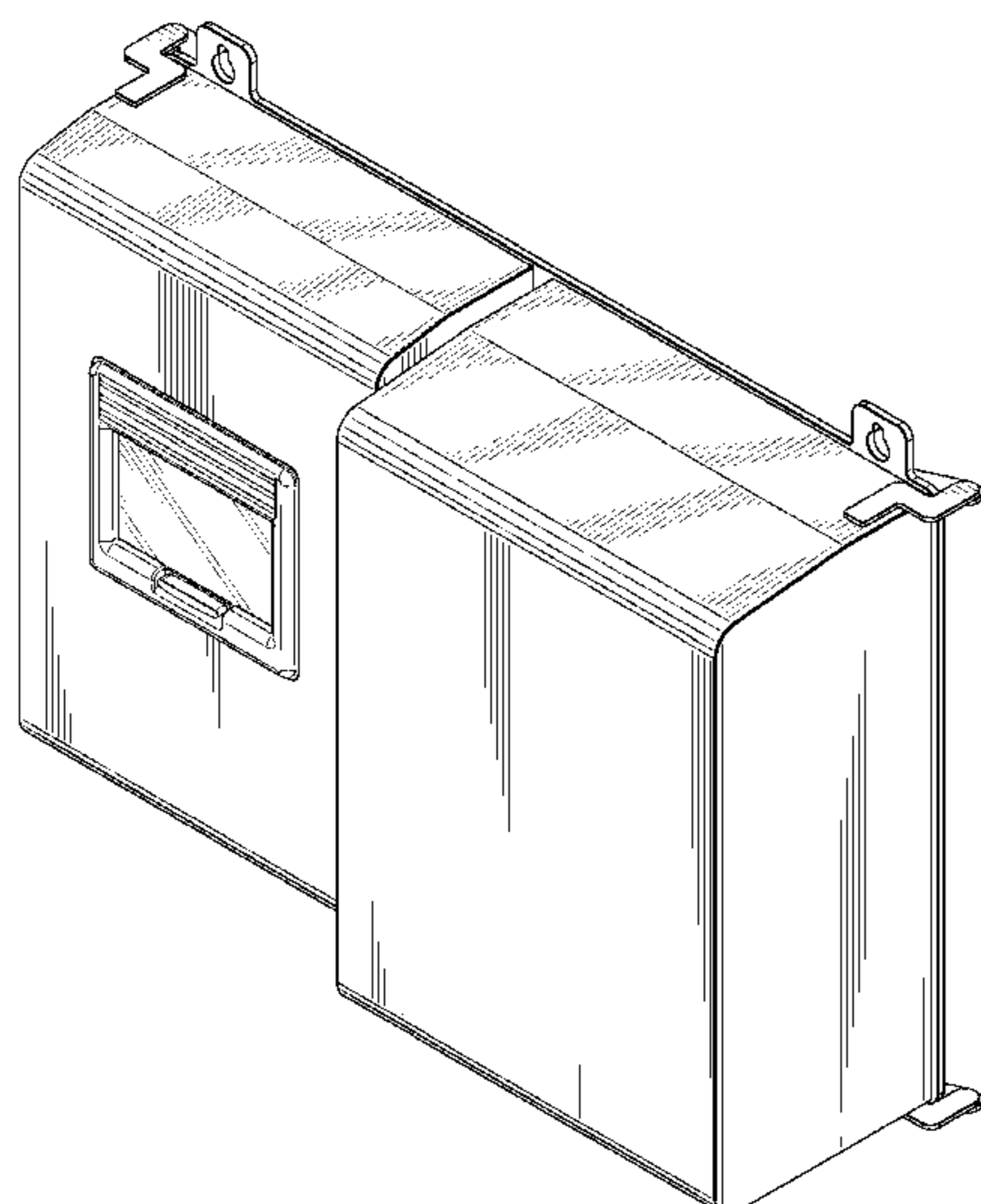
FIG. 12 is a left side elevational view of the wall mounted adhesive melter according to the second embodiment of the invention.

FIG. 13 is a top elevational view of the wall mounted adhesive melter according to the second embodiment of the invention; and,

FIG. 14 is a bottom elevational view of the wall mounted adhesive melter according to the second embodiment of the invention.

The broken lines define unclaimed boundaries of the design.

**1 Claim, 6 Drawing Sheets**



(56)

**References Cited**

U.S. PATENT DOCUMENTS

6,049,658 A \* 4/2000 Schave et al. .... 392/472  
D425,530 S \* 5/2000 Lafitte ..... D15/144  
D488,177 S \* 4/2004 Dittmann et al. .... D15/144  
D489,741 S \* 5/2004 Calco et al. .... D15/144  
D500,063 S \* 12/2004 Jeter et al. .... D15/144

D556,798 S \* 12/2007 Franco ..... D15/144  
D562,368 S \* 2/2008 Byerly et al. .... D15/144  
D611,515 S \* 3/2010 Chastine et al. .... D15/144  
8,210,398 B2 \* 7/2012 Bondeson et al. .... 222/146.2  
D678,374 S \* 3/2013 Bondeson et al. .... D15/144.2  
2001/0009752 A1 \* 7/2001 Reifenberger et al. .... 432/161  
2009/0294014 A1 \* 12/2009 Sennrich ..... 156/60

\* cited by examiner

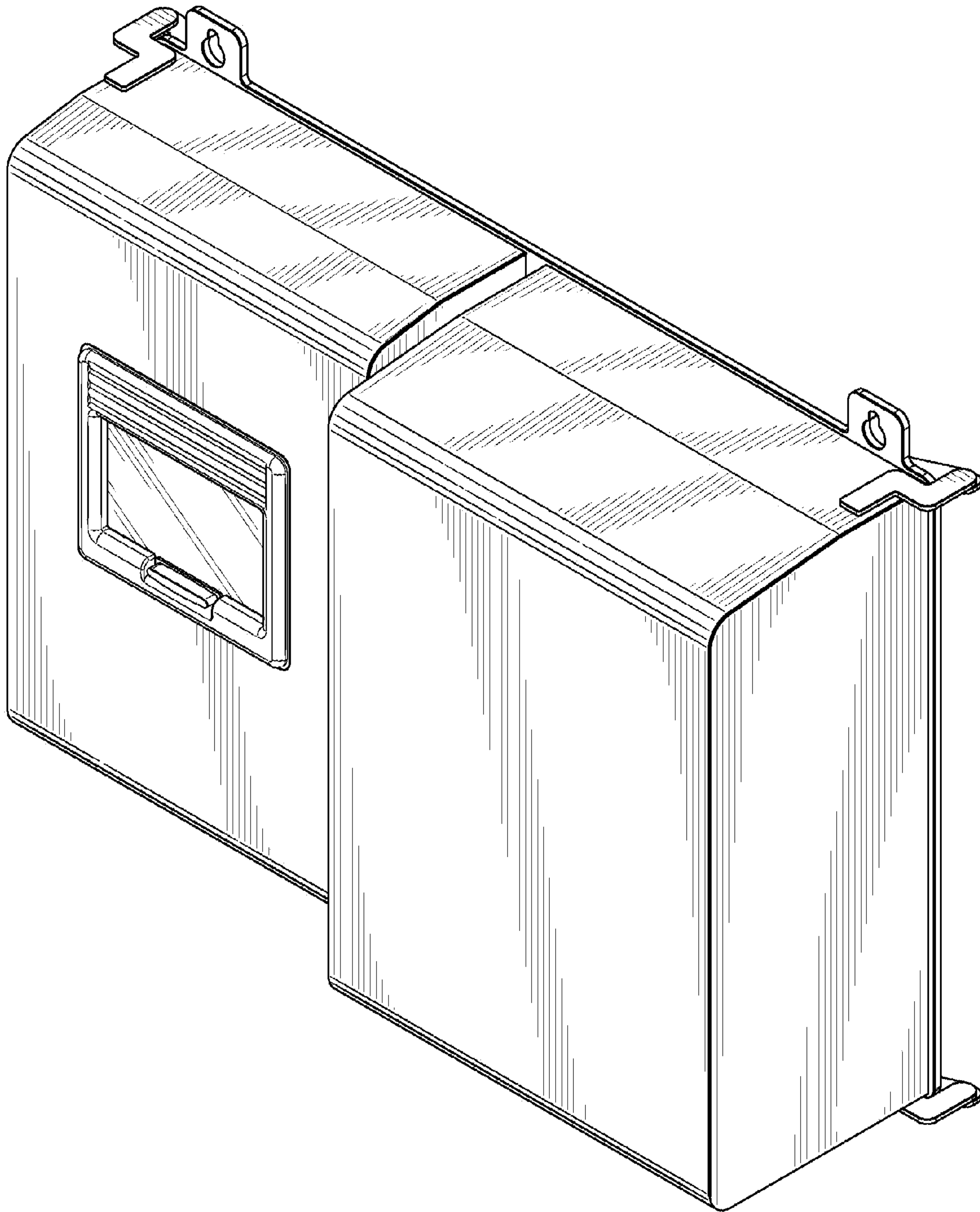


FIG. 1

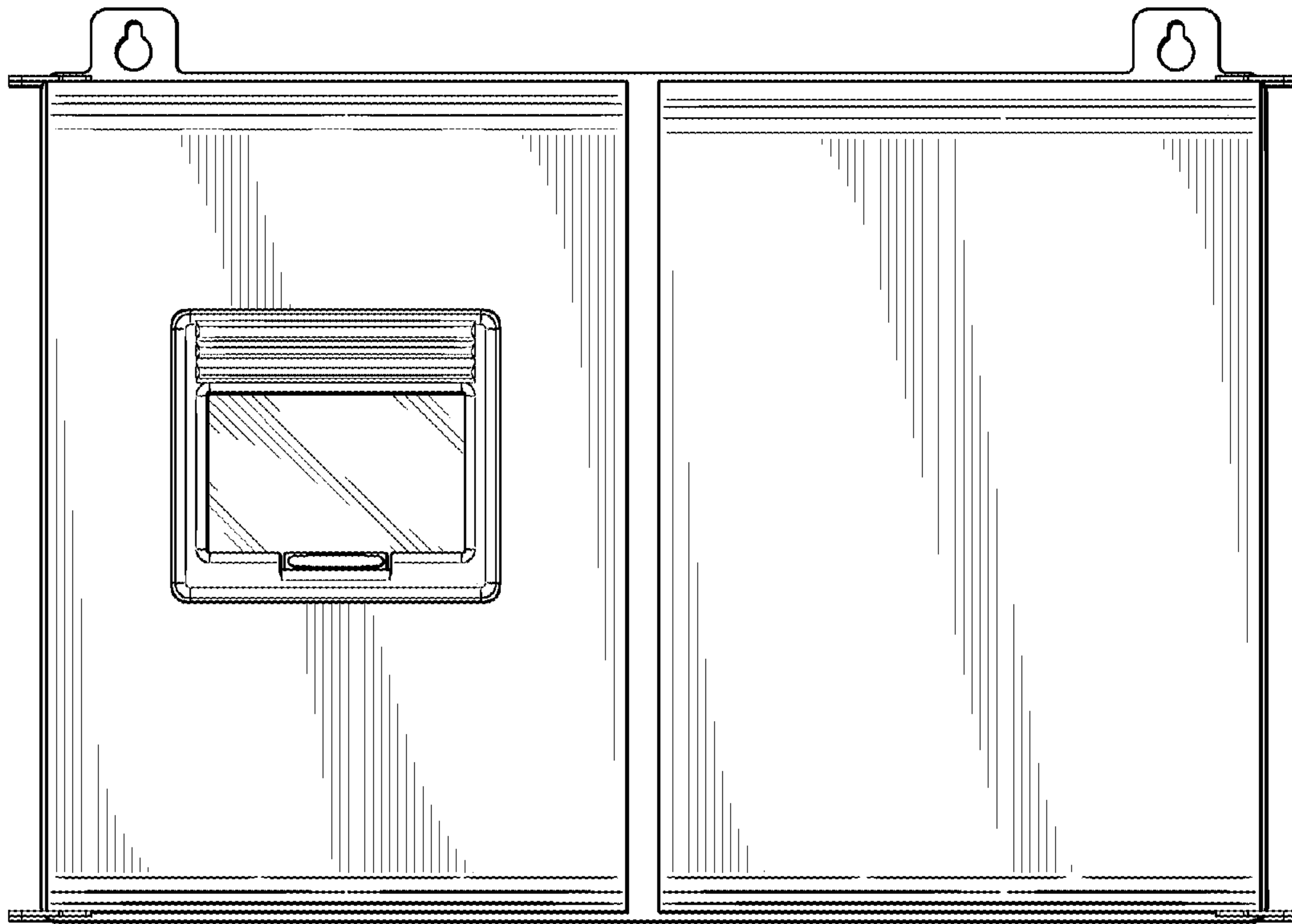


FIG. 2

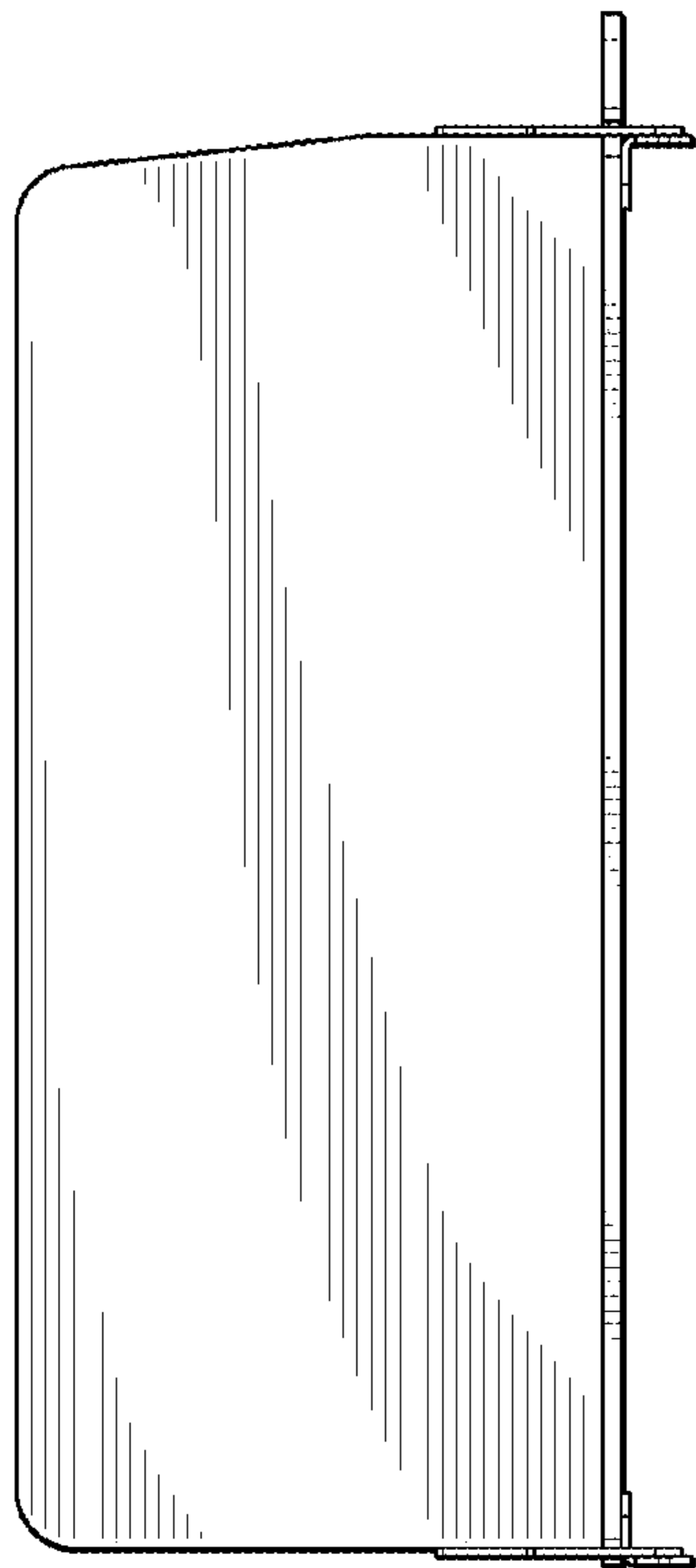


FIG. 3

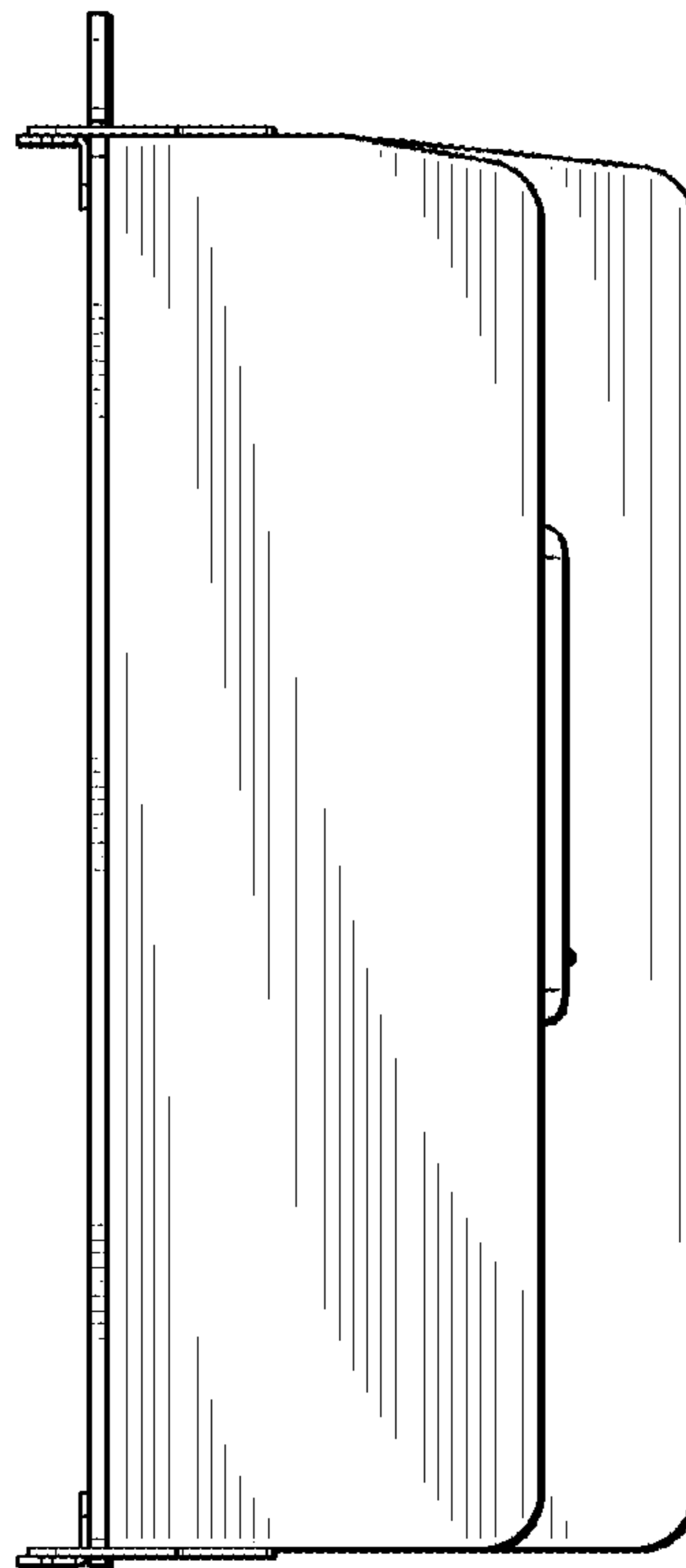


FIG. 5

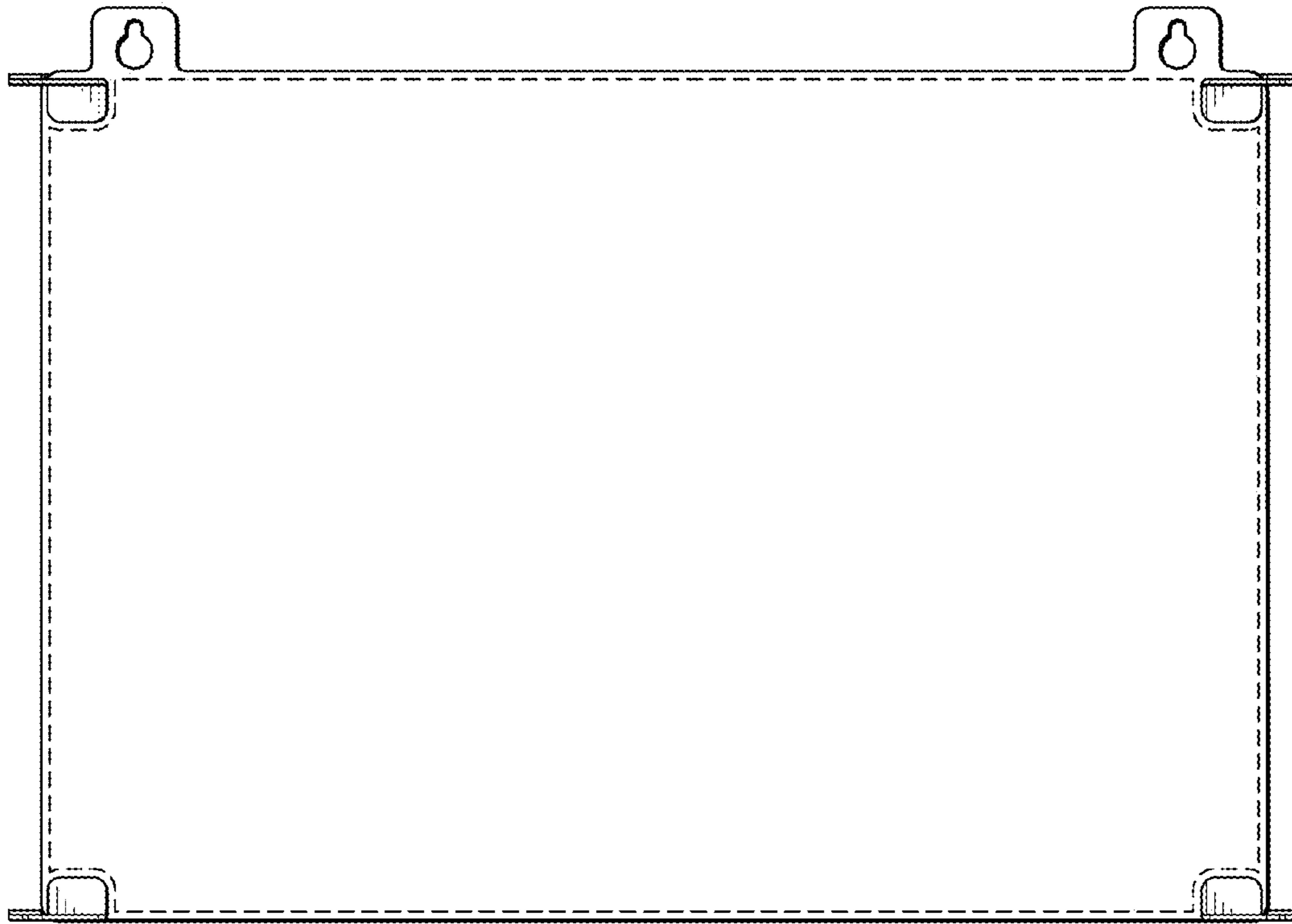


FIG. 4

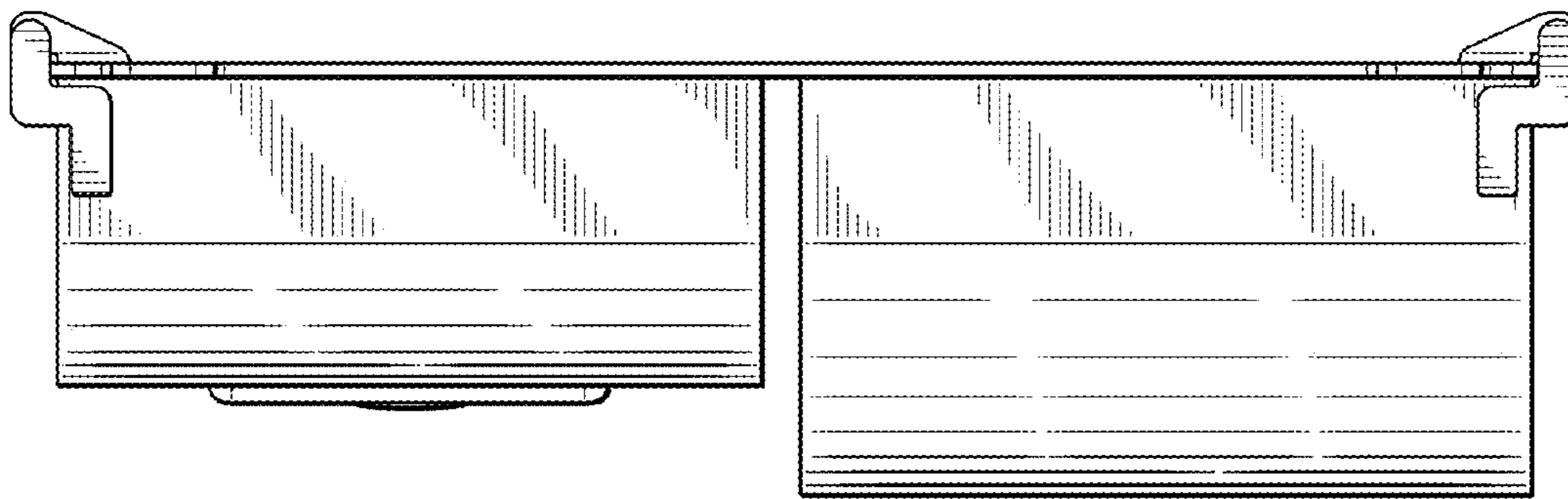


FIG. 6

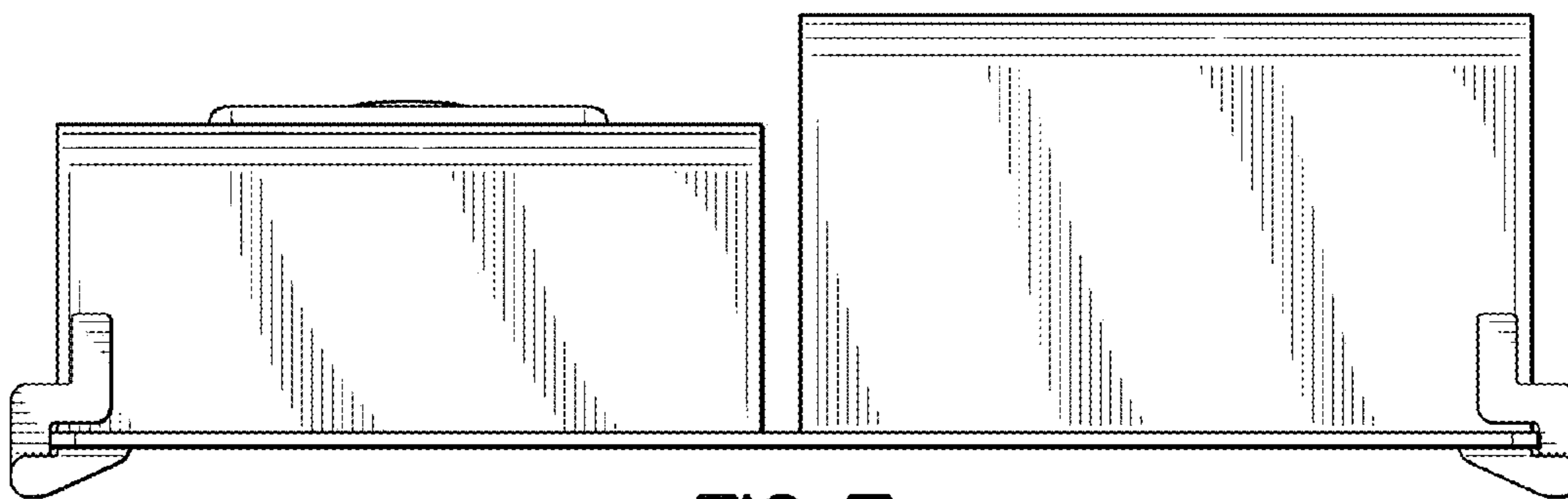


FIG. 7

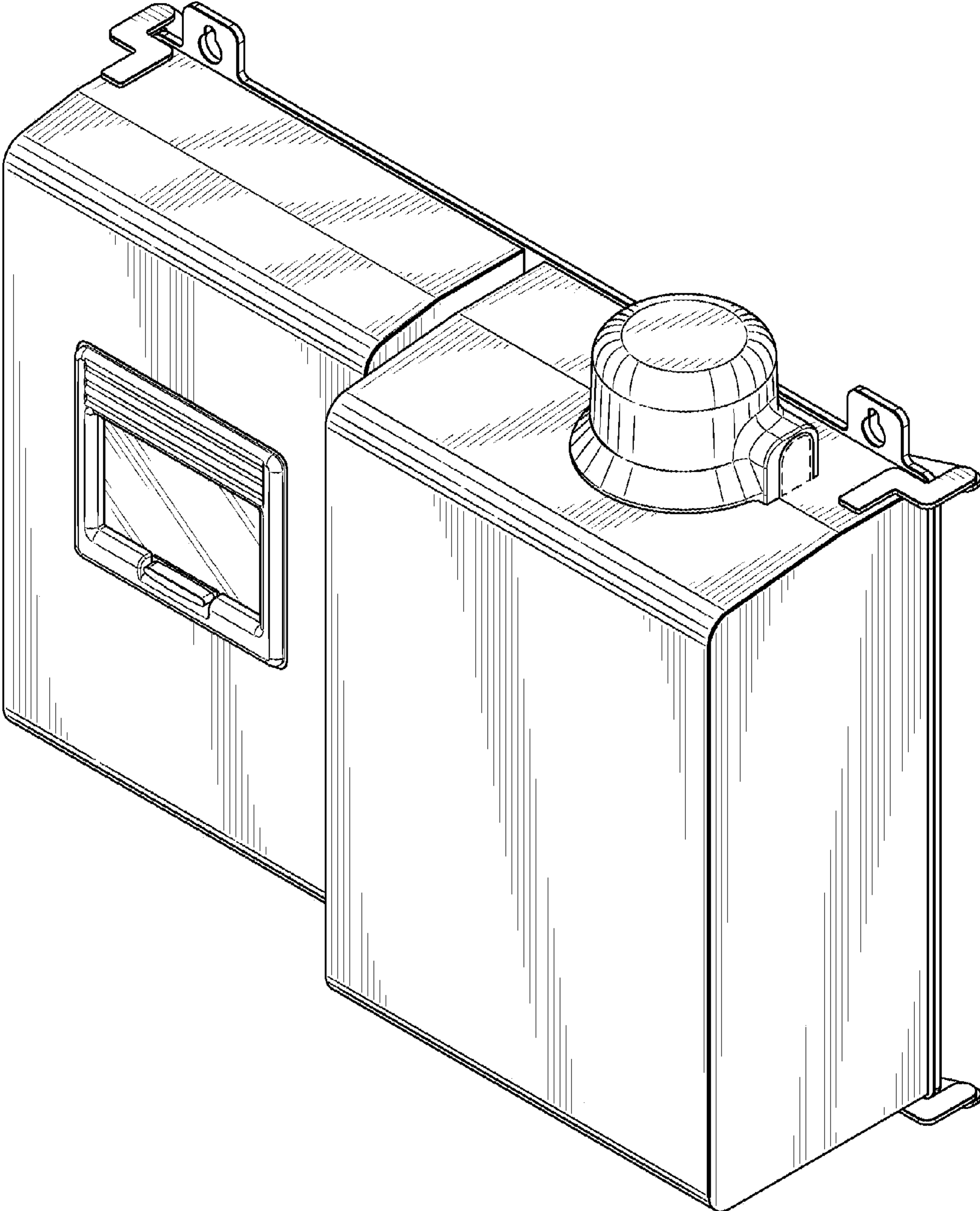


FIG. 8

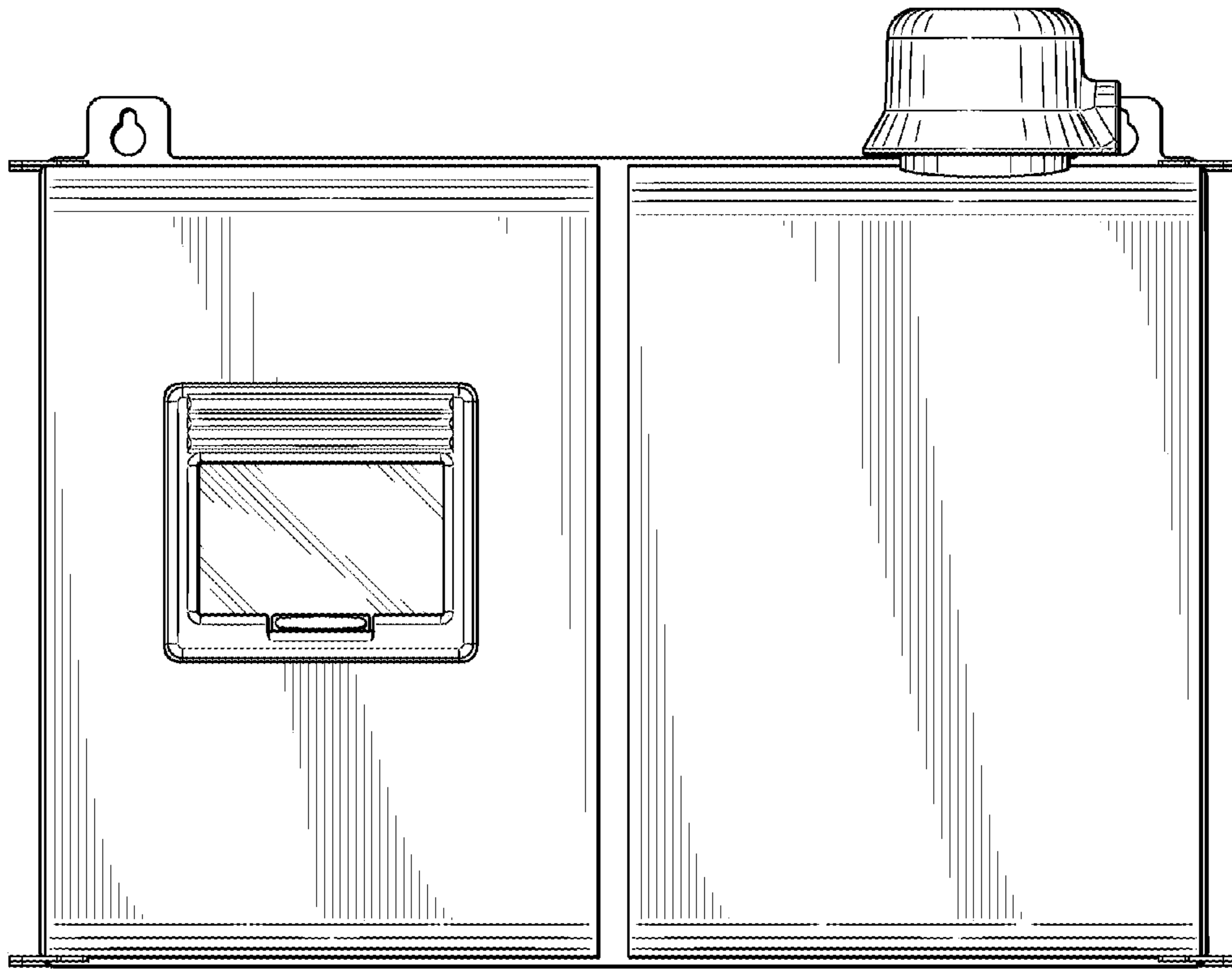


FIG. 9

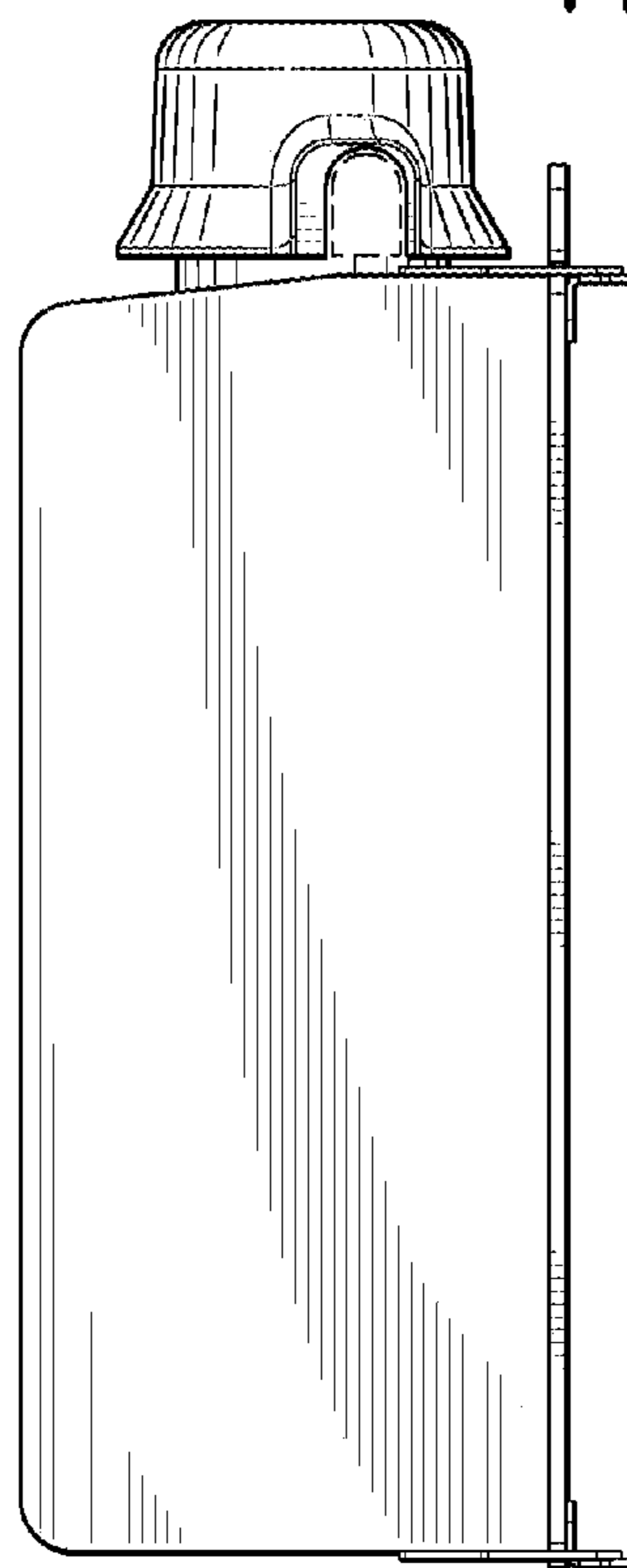


FIG. 10

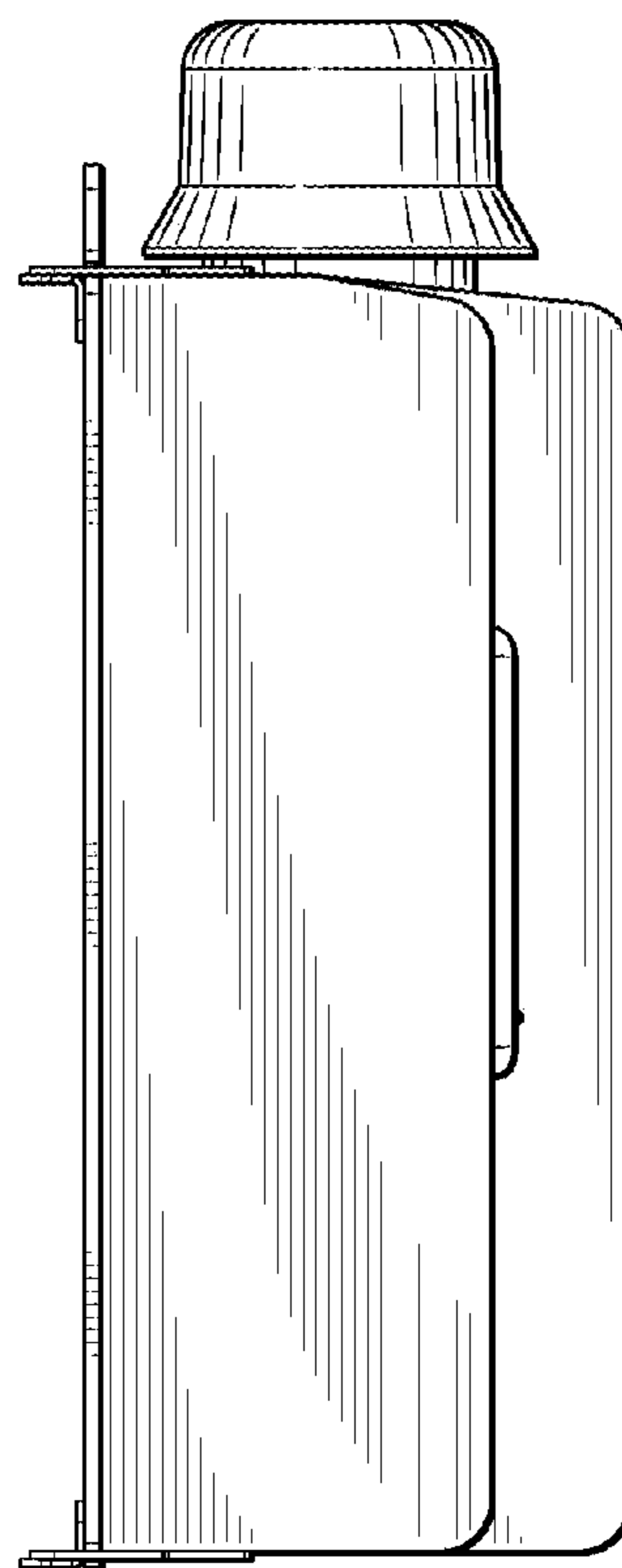


FIG. 12

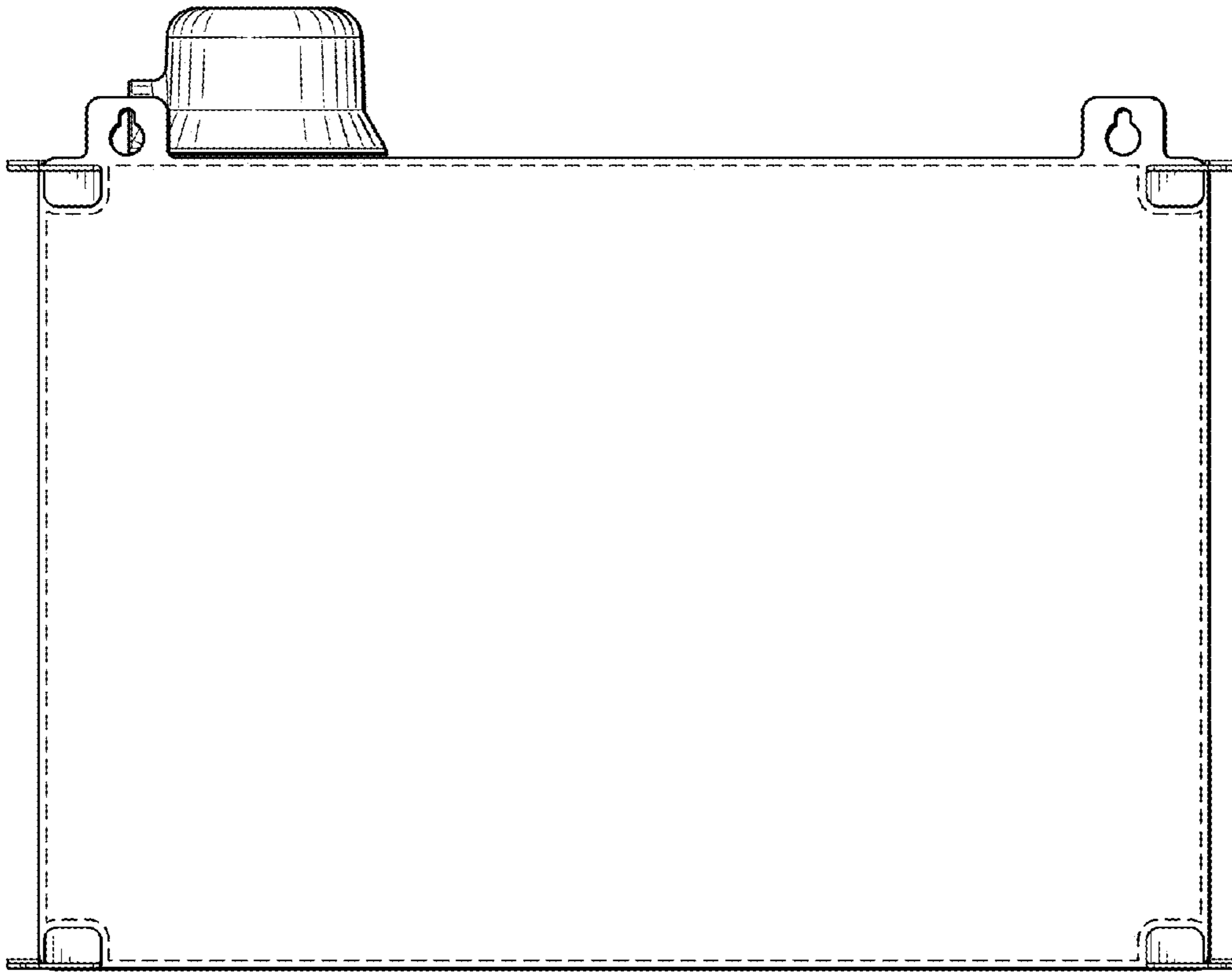


FIG. 11

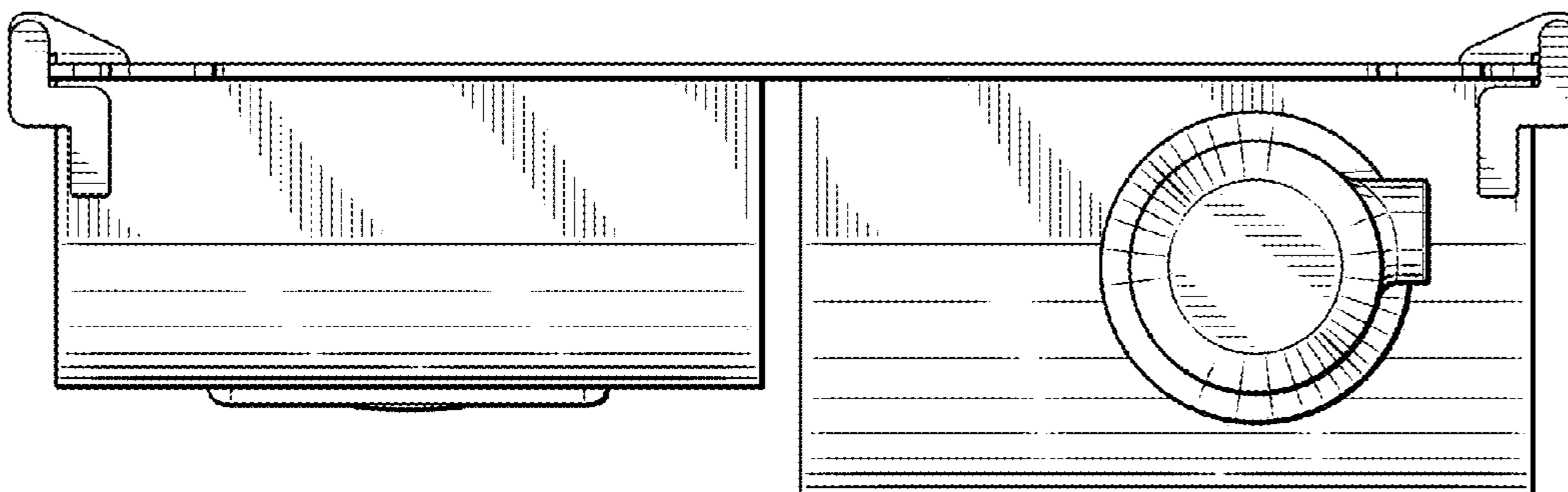


FIG. 13

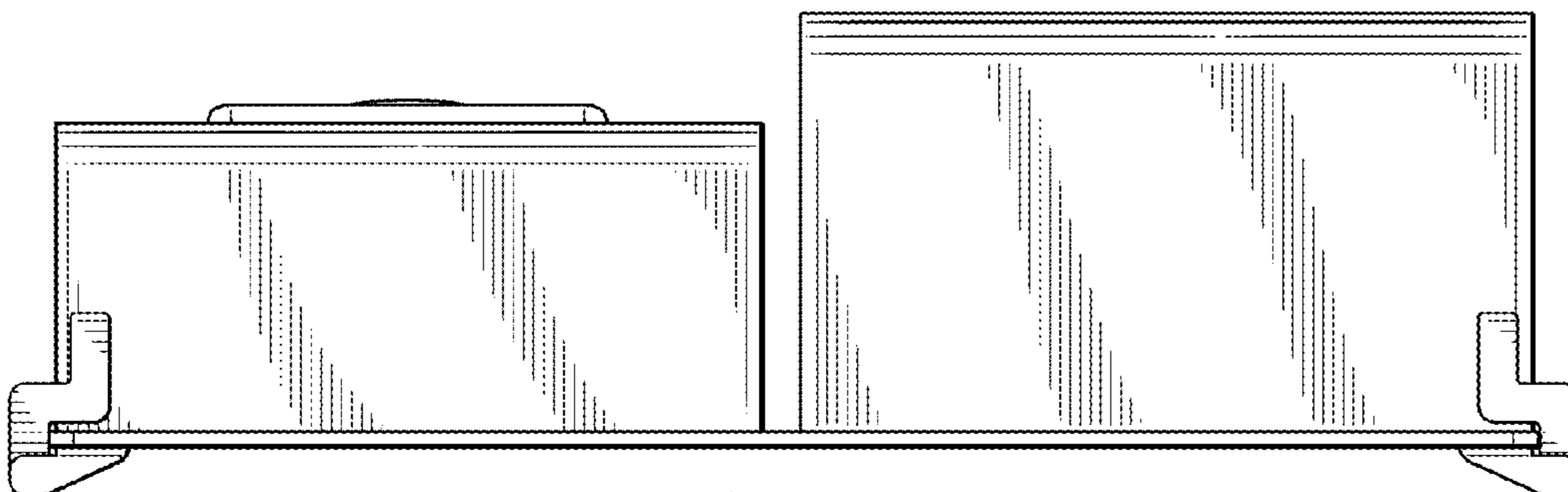


FIG. 14