

US00D691183S

(12) **United States Design Patent**  
**Arai et al.**

(10) **Patent No.:** **US D691,183 S**  
(45) **Date of Patent:** **\*\* Oct. 8, 2013**

- (54) **PALLET FOR MACHINE TOOL**
- (71) Applicant: **JTEKT Corporation**, Osaka (JP)
- (72) Inventors: **Yoshihiro Arai**, Kariya (JP); **Kozo Imanishi**, Anjo (JP); **Toshiyuki Mizuno**, Chita-gun (JP); **Asami Hara**, Kariya (JP); **Yoshio Ootsuka**, Ichinomiya (JP); **Koji Toyama**, Hekinan (JP)
- (73) Assignee: **JTEKT Corporation**, Osaka-shi (JP)

D356,321	S *	3/1995	McCorkle	.....	D15/199
5,531,004	A *	7/1996	Ahn	.....	29/33 P
5,622,247	A *	4/1997	Yamada	.....	198/346.1
5,803,229	A *	9/1998	Hosokawa	.....	198/345.3
6,148,988	A *	11/2000	Lin et al.	.....	198/346.1
6,183,188	B1 *	2/2001	Randazzo et al.	.....	414/744.5
6,193,048	B1 *	2/2001	Keith	.....	198/346.1
6,341,928	B1 *	1/2002	Matsuoka et al.	.....	414/226.05
6,679,369	B2 *	1/2004	Okuyama	.....	198/346.1
6,688,452	B2 *	2/2004	Watanabe et al.	.....	198/346.1
2002/0050439	A1 *	5/2002	Watanabe et al.	.....	198/346.1
2002/0060127	A1 *	5/2002	Okuyama	.....	198/346.1

(Continued)

(\*\*) Term: **14 Years**

**OTHER PUBLICATIONS**

(21) Appl. No.: **29/446,991**

U.S. Appl. No. 29/446,971, filed Feb. 28, 2013, Arai, et al.

(22) Filed: **Feb. 28, 2013**

(Continued)

(30) **Foreign Application Priority Data**

Sep. 5, 2012 (JP) ..... 2012-021406

(51) **LOC (9) Cl.** ..... **15-09**

(52) **U.S. Cl.**  
USPC ..... **D15/122**

(58) **Field of Classification Search**  
USPC ..... D15/122, 199; 29/27, 33, 428, 432,  
29/525, 563, 566, 798; 144/2 R, 136 B;  
156/300, 562, 566, 572, 578; 198/345.3,  
198/346.1; 227/7, 45, 76, 100, 141, 152;  
414/226.05, 744.5

See application file for complete search history.

(56) **References Cited**

**U.S. PATENT DOCUMENTS**

4,832,170	A *	5/1989	Takeuchi et al.	.....	198/346.1
4,890,371	A *	1/1990	Camloh et al.	.....	29/33 P
4,934,031	A *	6/1990	Maeda et al.	.....	29/33 P
5,062,190	A *	11/1991	Kitamura	.....	29/33 P
5,145,048	A *	9/1992	Kitamura	.....	198/346.1
5,156,254	A *	10/1992	Kitamura et al.	.....	198/346.1
5,370,212	A *	12/1994	Mizutani et al.	.....	198/346.1

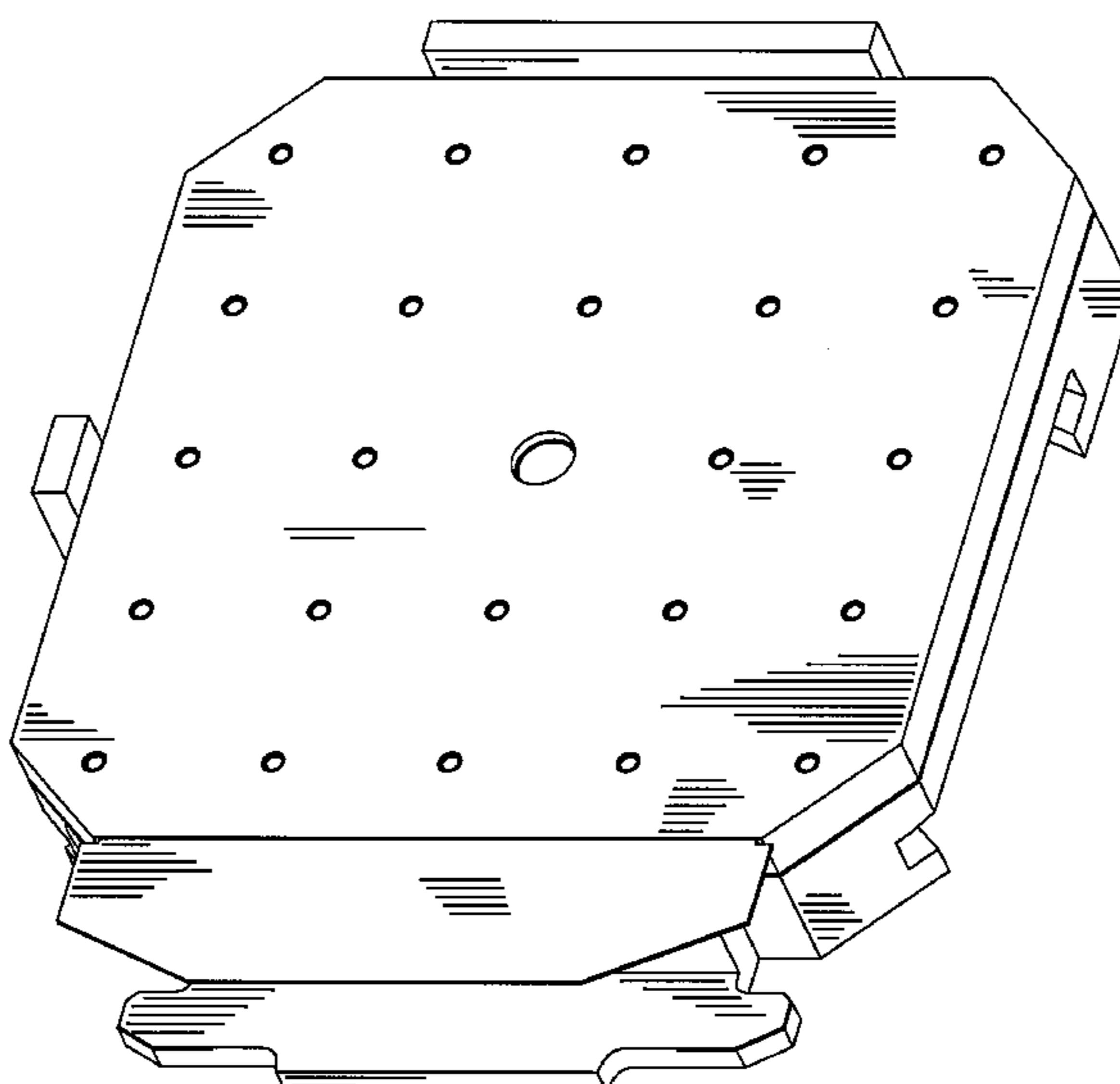
*Primary Examiner* — Patricia Palasik  
(74) *Attorney, Agent, or Firm* — Oblon, Spivak,  
McClelland, Maier & Neustadt, L.L.P.

(57) **CLAIM**  
The ornamental design for a pallet for machine tool, as shown and described.

**DESCRIPTION**

FIG. 1 is a plan view of a first embodiment of a pallet for machine tool;  
FIG. 2 is a right view thereof;  
FIG. 3 is a front view thereof;  
FIG. 4 is a left view thereof;  
FIG. 5 is a back view thereof;  
FIG. 6 is a bottom view thereof;  
FIG. 7 is a perspective view thereof; and,  
FIG. 8 is a state showing this article placed on a pallet changer for machine tool.  
The broken lines in the drawings depict environmental subject matter only and form no part of the claimed design.

**1 Claim, 6 Drawing Sheets**



(56)

**References Cited**

2012/0082532 A1\* 4/2012 Watanabe et al. .... 414/222.01

U.S. PATENT DOCUMENTS

2004/0107556 A1\* 6/2004 Yasuda et al. .... 29/27 C  
2006/0118384 A1\* 6/2006 Funakoshi et al. .... 198/345.3  
2007/0234546 A1\* 10/2007 Keith et al. .... 29/428  
2008/0067035 A1\* 3/2008 Keith et al. .... 198/345.3  
2011/0186403 A1\* 8/2011 Keith et al. .... 198/346.1

OTHER PUBLICATIONS

U.S. Appl. No. 29/446,991, filed Feb. 28, 2013, Arai, et al.

\* cited by examiner

Fig 1

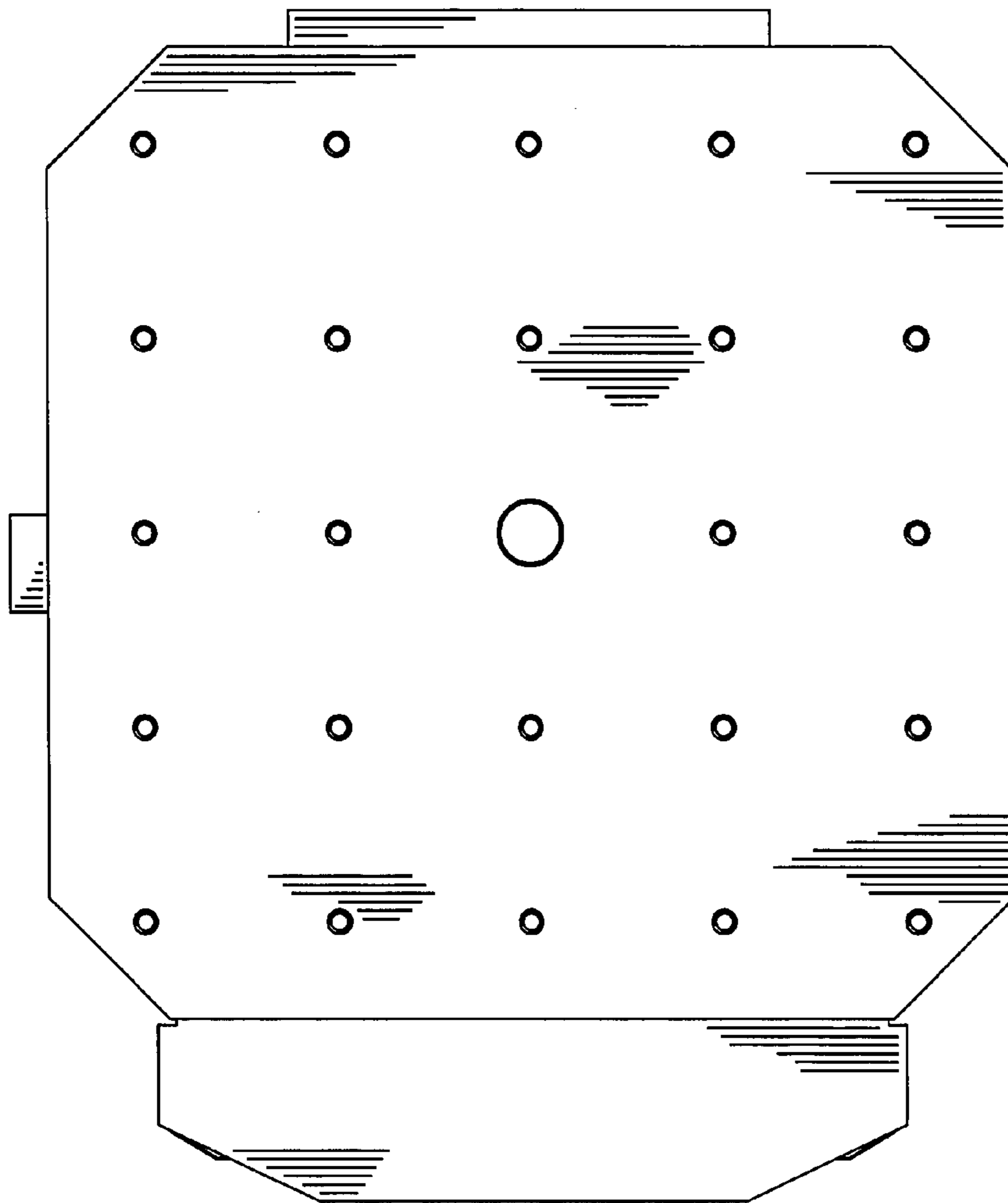


Fig 2

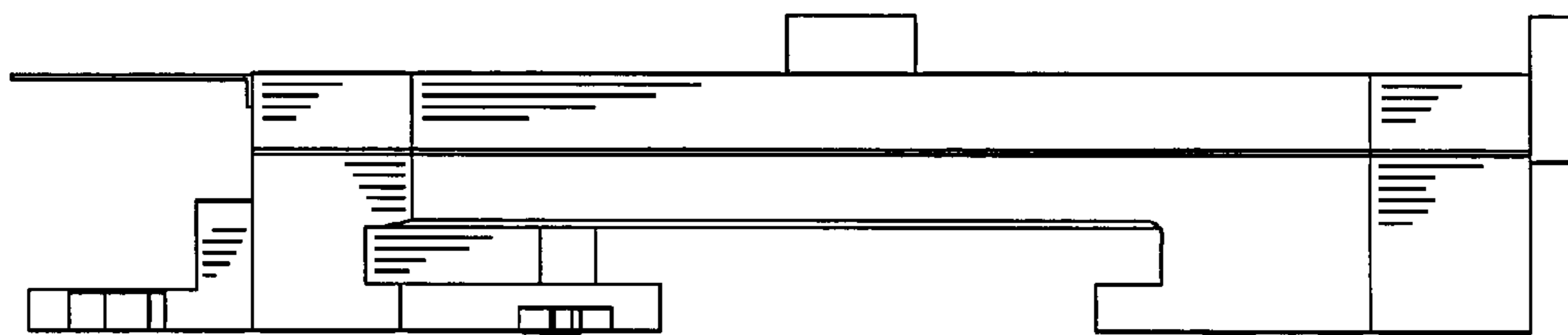


Fig 3

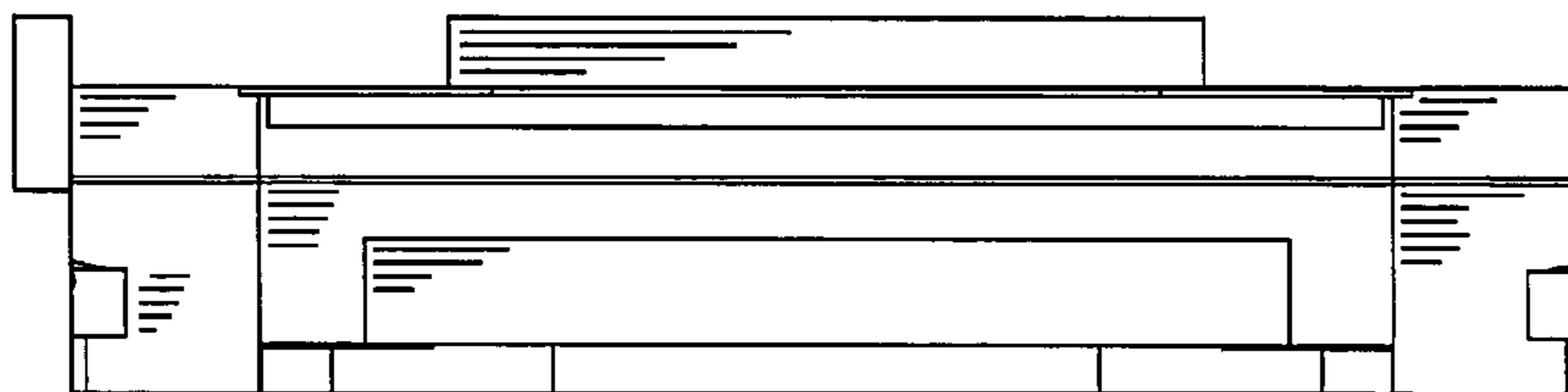


Fig 4

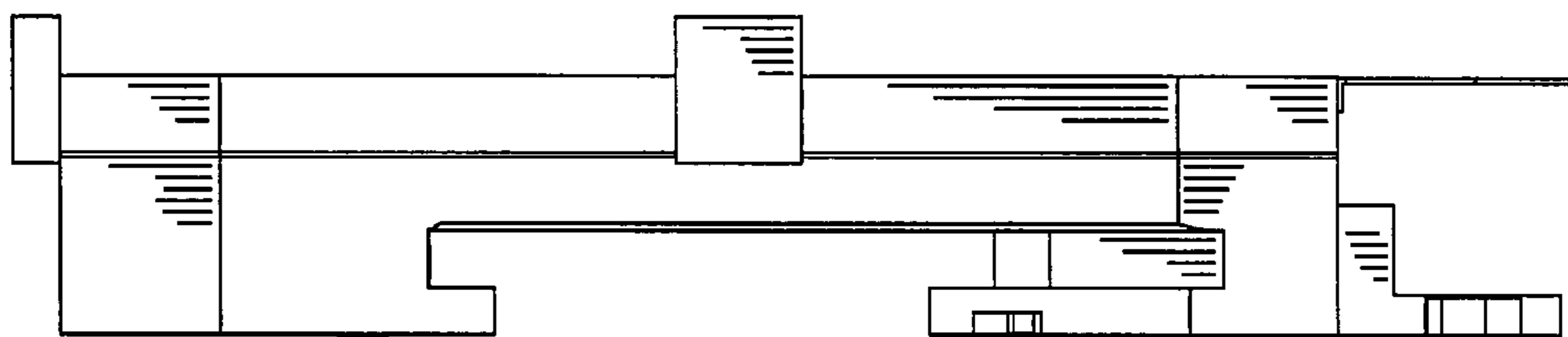


Fig 5

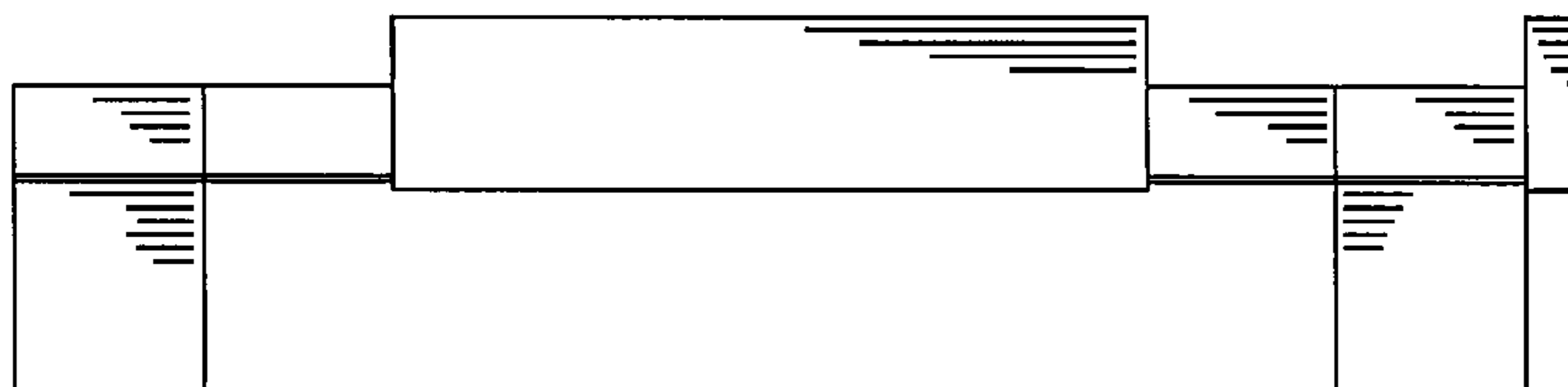


Fig 6

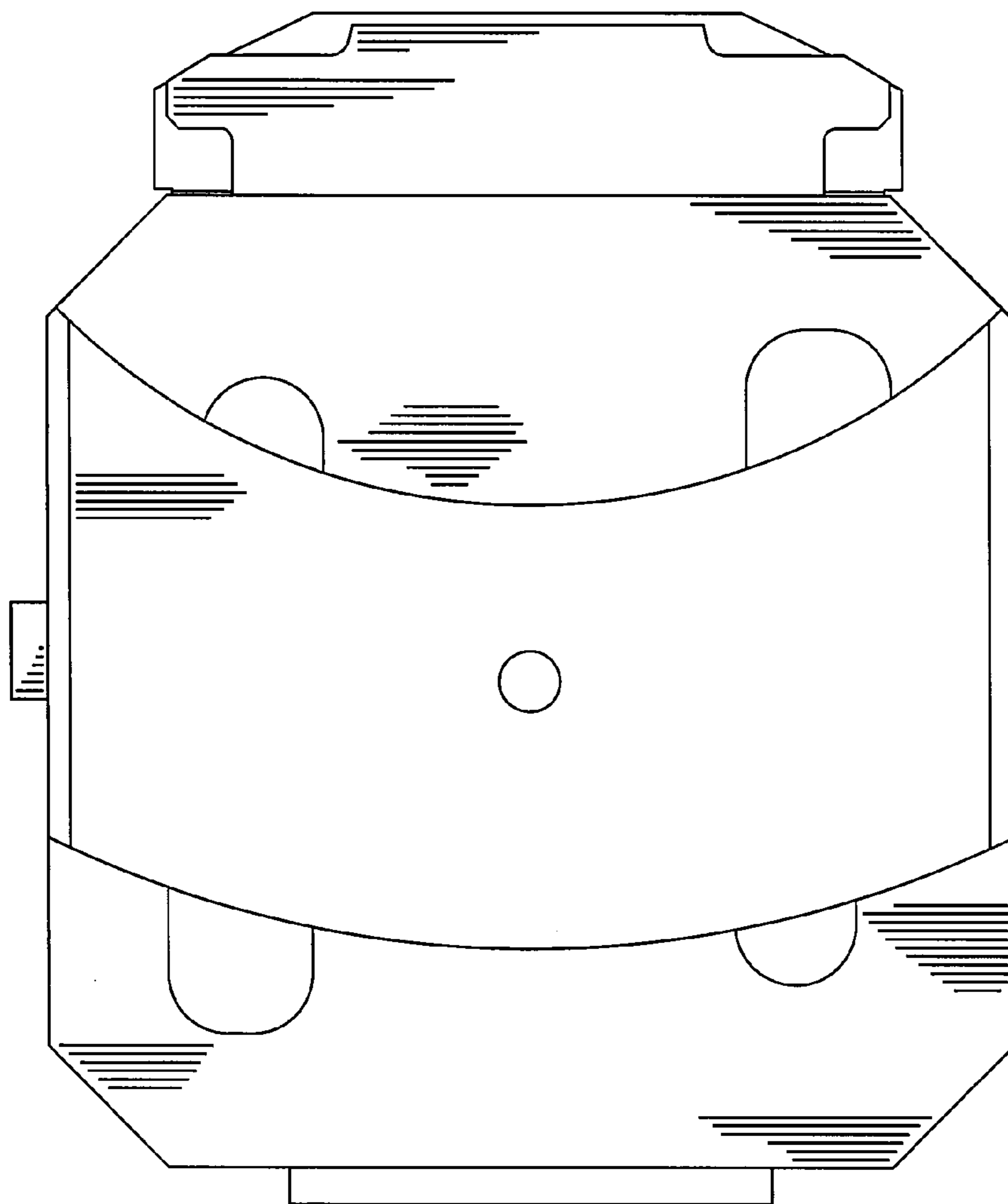


Fig 7

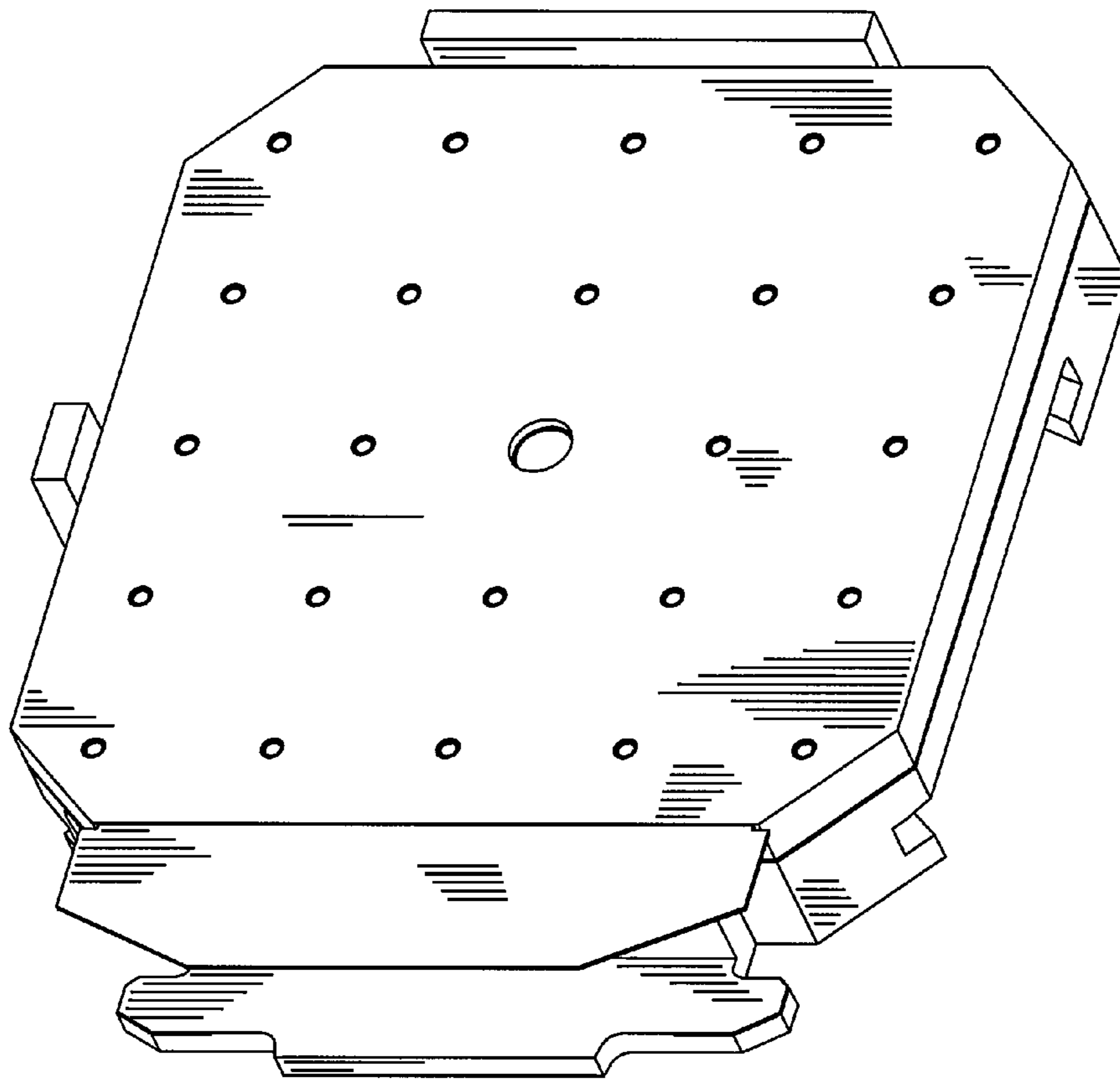


Fig 8

