



US00D691182S

(12) **United States Design Patent**
Chiorazzi et al.

(10) **Patent No.:** **US D691,182 S**
(45) **Date of Patent:** **** Oct. 8, 2013**

(54) **ICE TRAY**

(75) Inventors: **Frank P. Chiorazzi**, Salinas, CA (US);
Frank O. Chiorazzi, Salinas, CA (US)

(73) Assignee: **Franmara, Inc.**, Salinas, CA (US)

(**) Term: **14 Years**

(21) Appl. No.: **29/419,955**

(22) Filed: **May 3, 2012**

(51) **LOC (9) Cl.** **15-07**

(52) **U.S. Cl.**
USPC **D15/90**

(58) **Field of Classification Search**

USPC D15/90; D7/672; 249/117-121,
249/139, 157, 58-60, 90-93, 126, 127
See application file for complete search history.

(56) **References Cited**

U.S. PATENT DOCUMENTS

D159,356	S	*	7/1950	Lippincott	D15/90
3,804,330	A	*	4/1974	Miller et al.	239/34
4,815,691	A	*	3/1989	Cooley	249/120
4,967,995	A	*	11/1990	Burgess	249/121
5,196,127	A	*	3/1993	Solell	249/121
D434,427	S	*	11/2000	Di Bitonto et al.	D15/90
7,905,466	B2	*	3/2011	Lee et al.	249/120

* cited by examiner

Primary Examiner — Mitchell Siegel

(74) *Attorney, Agent, or Firm* — LaRiviere, Grubman & Payne, LLP

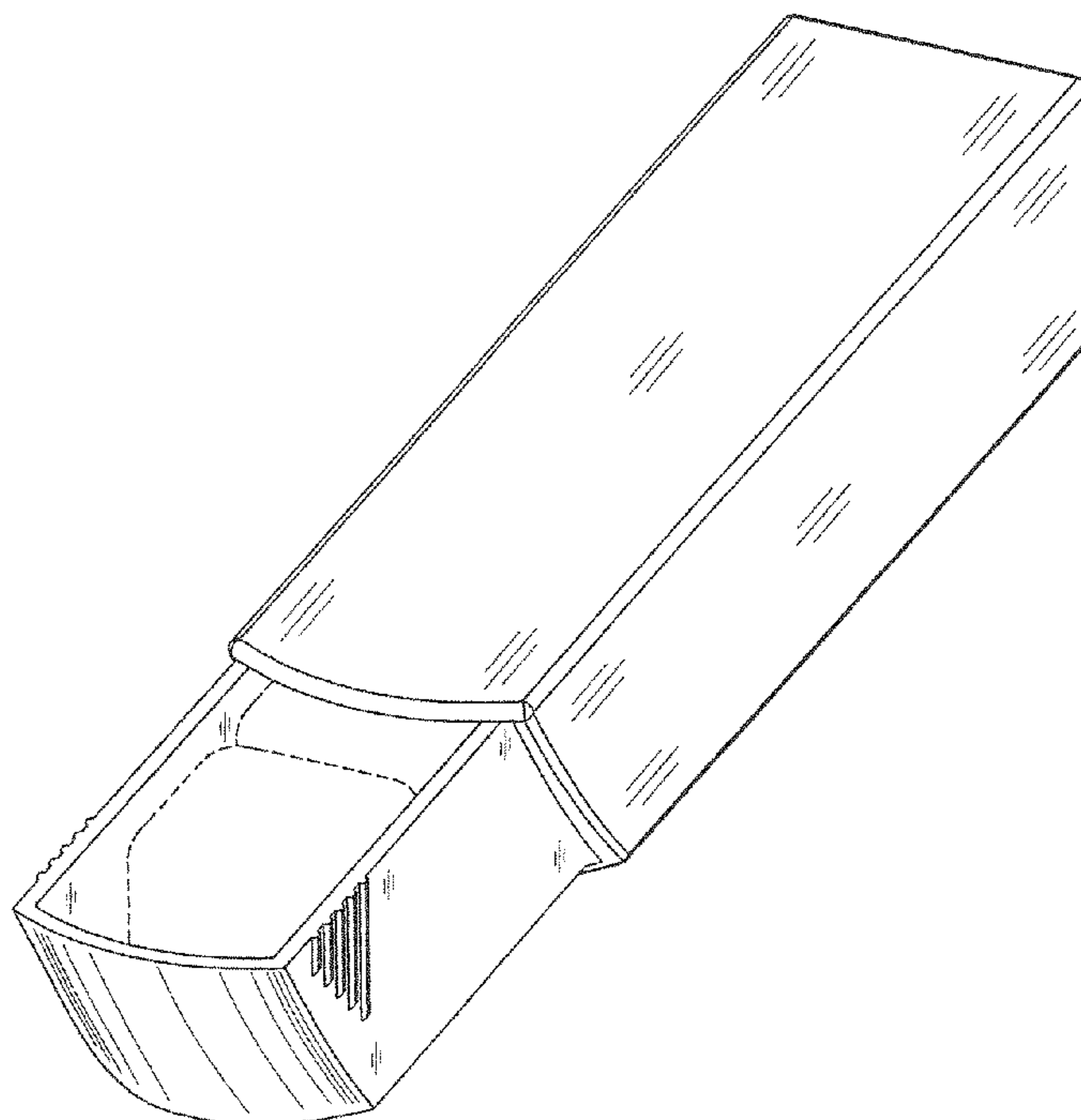
(57) **CLAIM**

The ornamental design for an ice tray, as shown and described.

DESCRIPTION

FIG. 1 is a front perspective view of an ice tray, in closed condition, showing our new design;
FIG. 2 is a top view thereof;
FIG. 3 is a bottom view thereof;
FIG. 4 is a side view thereof;
FIG. 5 is an opposing side view thereof;
FIG. 6 is an enlarged end view thereof; and
FIG. 7 is an enlarged opposing end view thereof;
FIG. 8 is a perspective view of the inner drawer of an ice tray;
FIG. 9 is a top view thereof;
FIG. 10 is a bottom view thereof;
FIG. 11 is a side view thereof;
FIG. 12 is an opposing side view thereof;
FIG. 13 is an enlarged end view thereof;
FIG. 14 is an enlarged opposing end view thereof;
FIG. 15 is a front perspective view of an ice tray, in open condition, showing our new design;
FIG. 16 is a top view thereof;
FIG. 17 is a bottom view thereof;
FIG. 18 is a side view thereof;
FIG. 19 is an opposing side view thereof;
FIG. 20 is an enlarged end view thereof;
FIG. 21 is an enlarged opposing end view thereof; and,
FIG. 22 is a perspective view of an ice tray, in use condition. The broken lines showing the environment in the Figures are for illustrative purposes only and form no part of the claimed design.

1 Claim, 13 Drawing Sheets



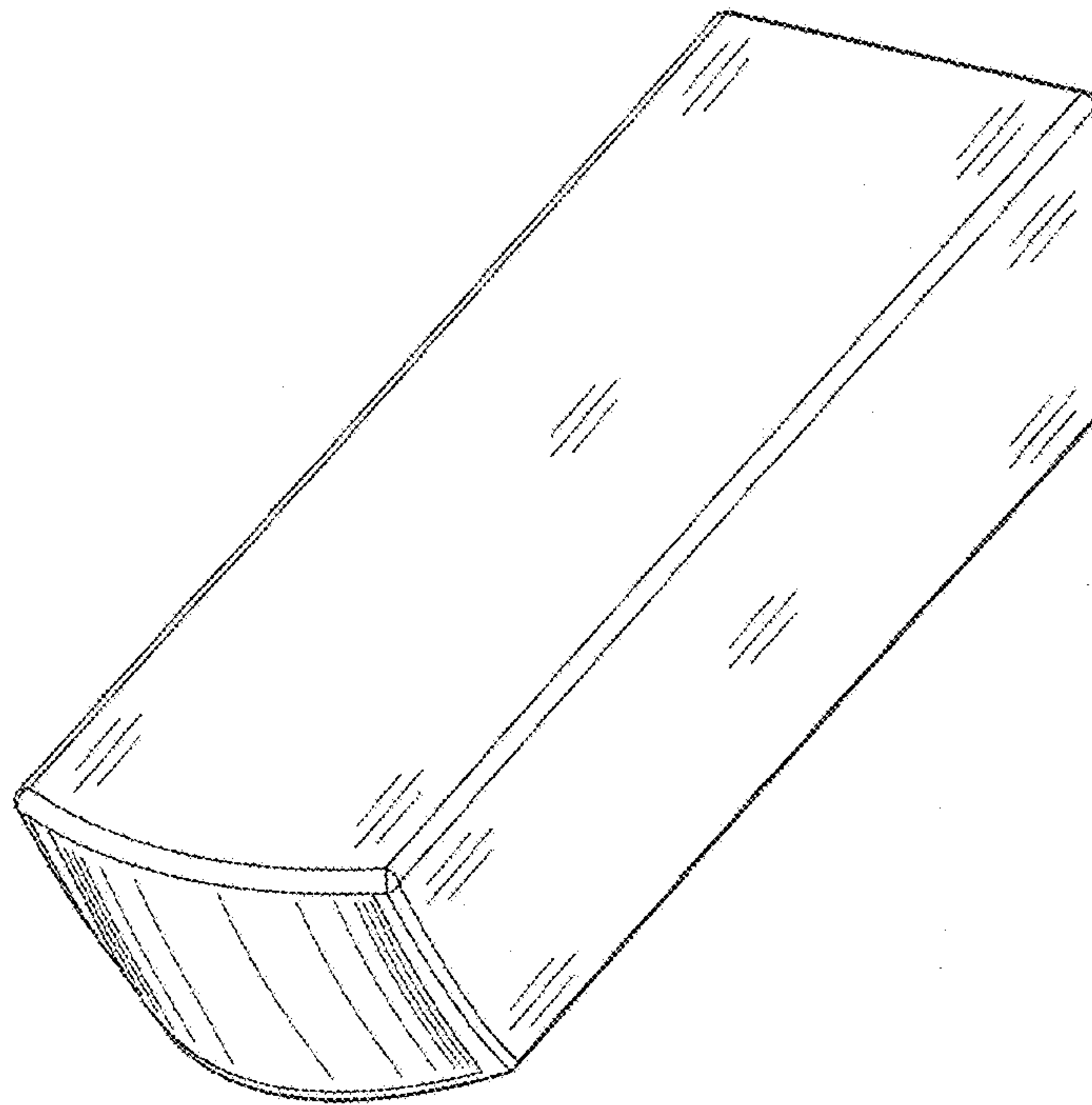


Figure 1

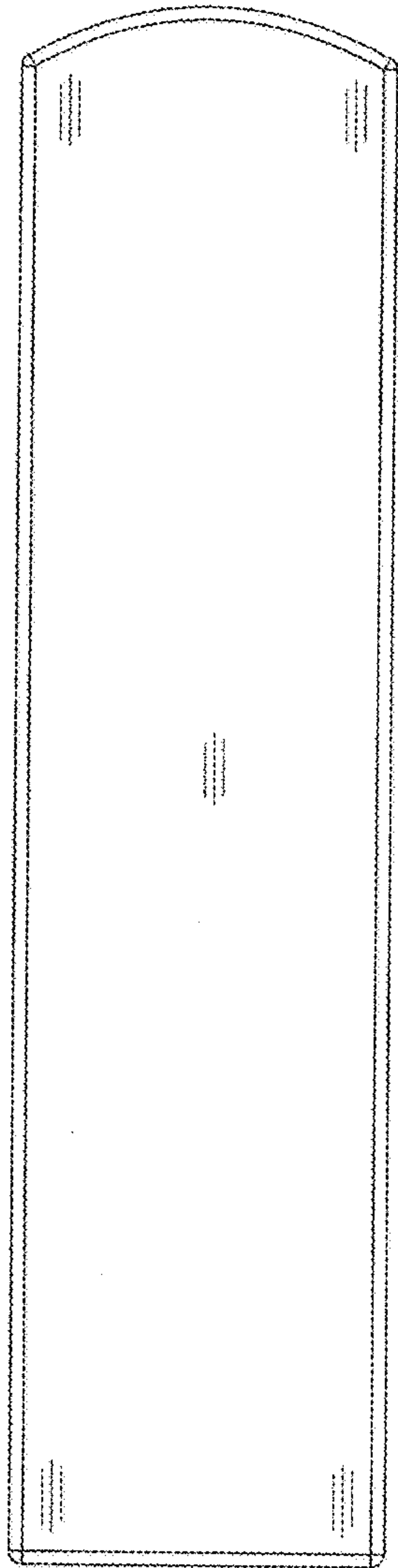


Figure 2

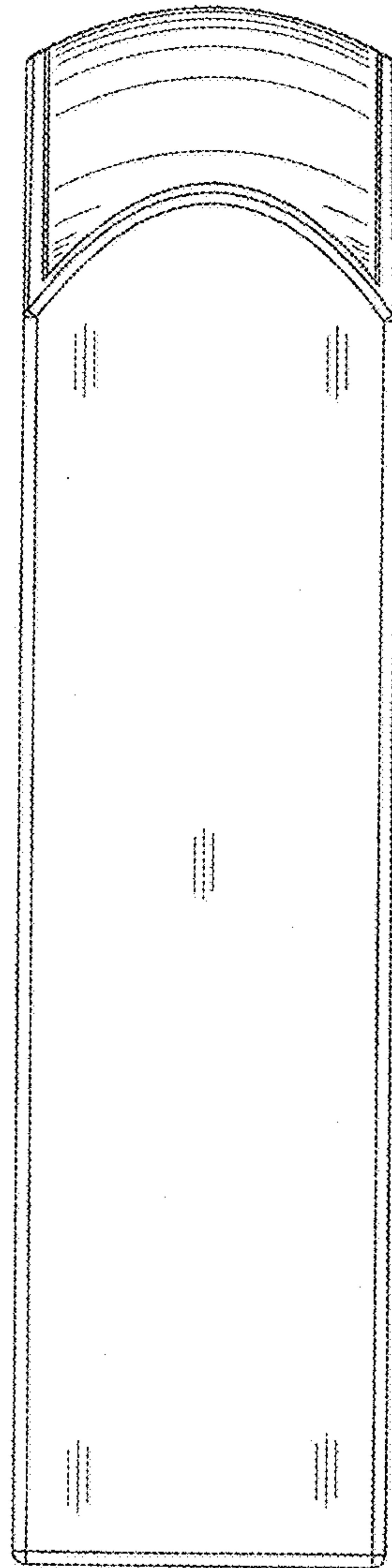


Figure 3

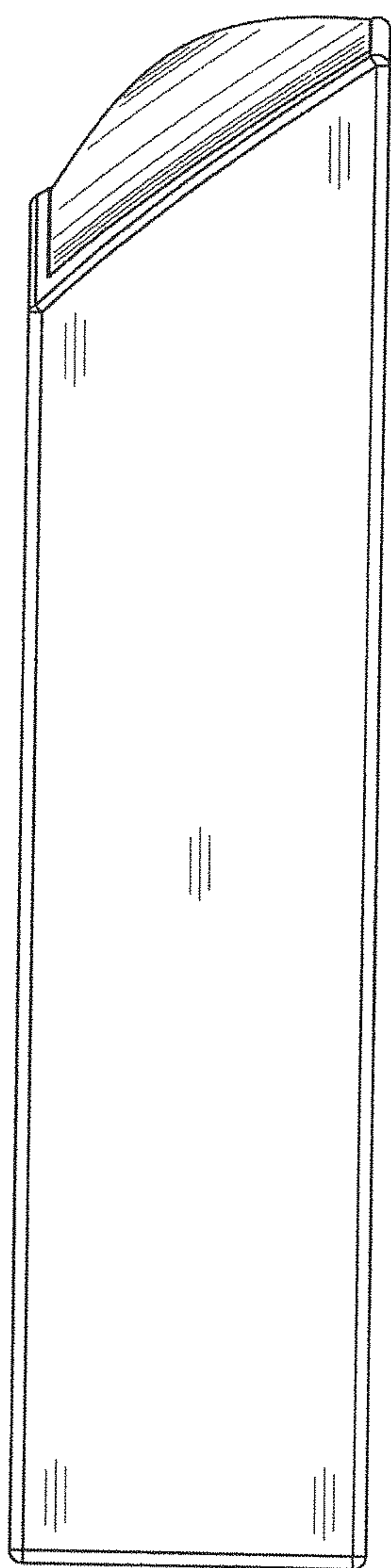


Figure 4

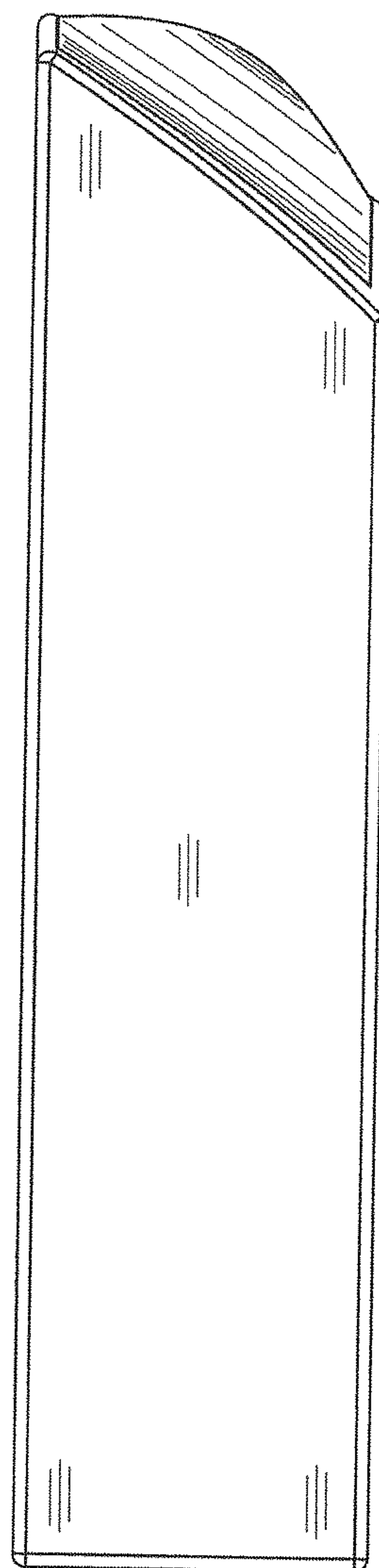


Figure 5

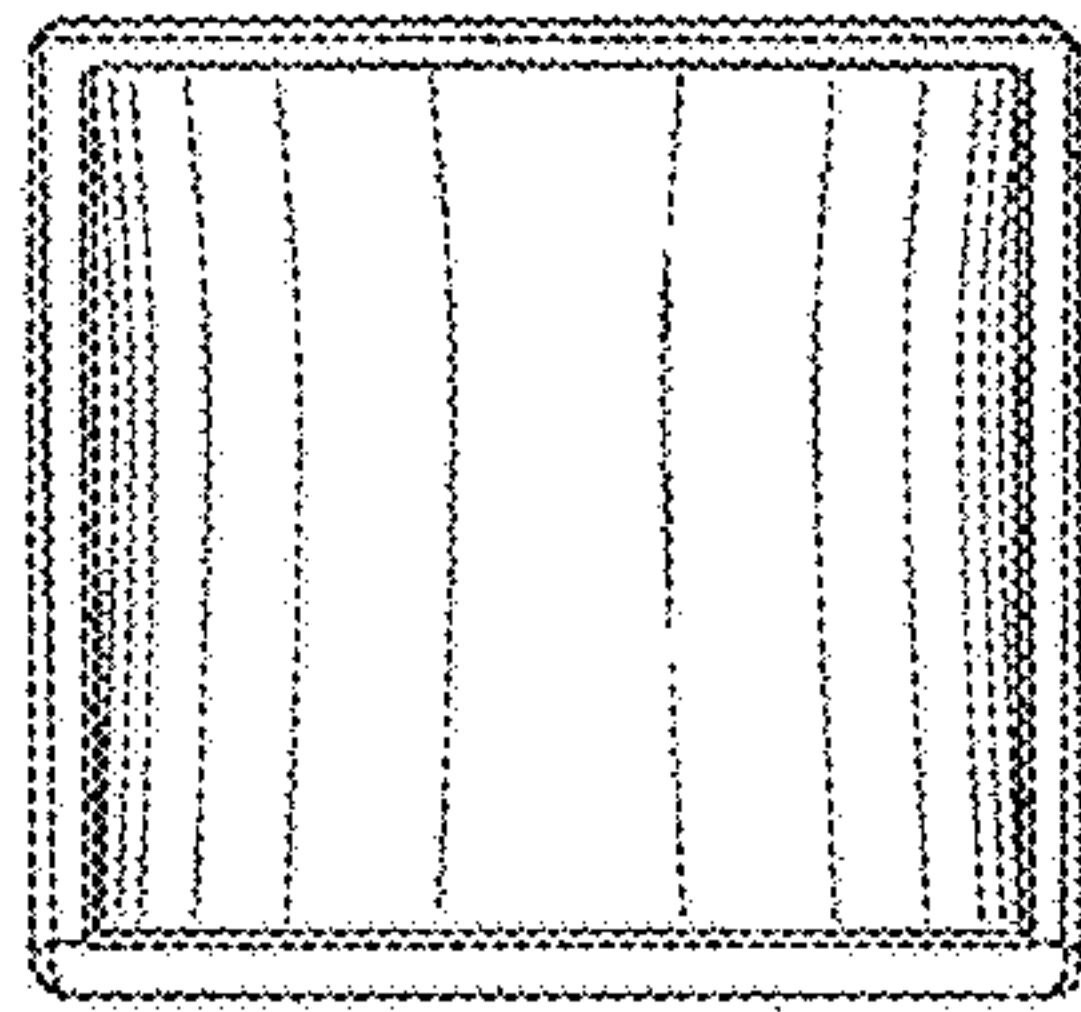


Figure 6

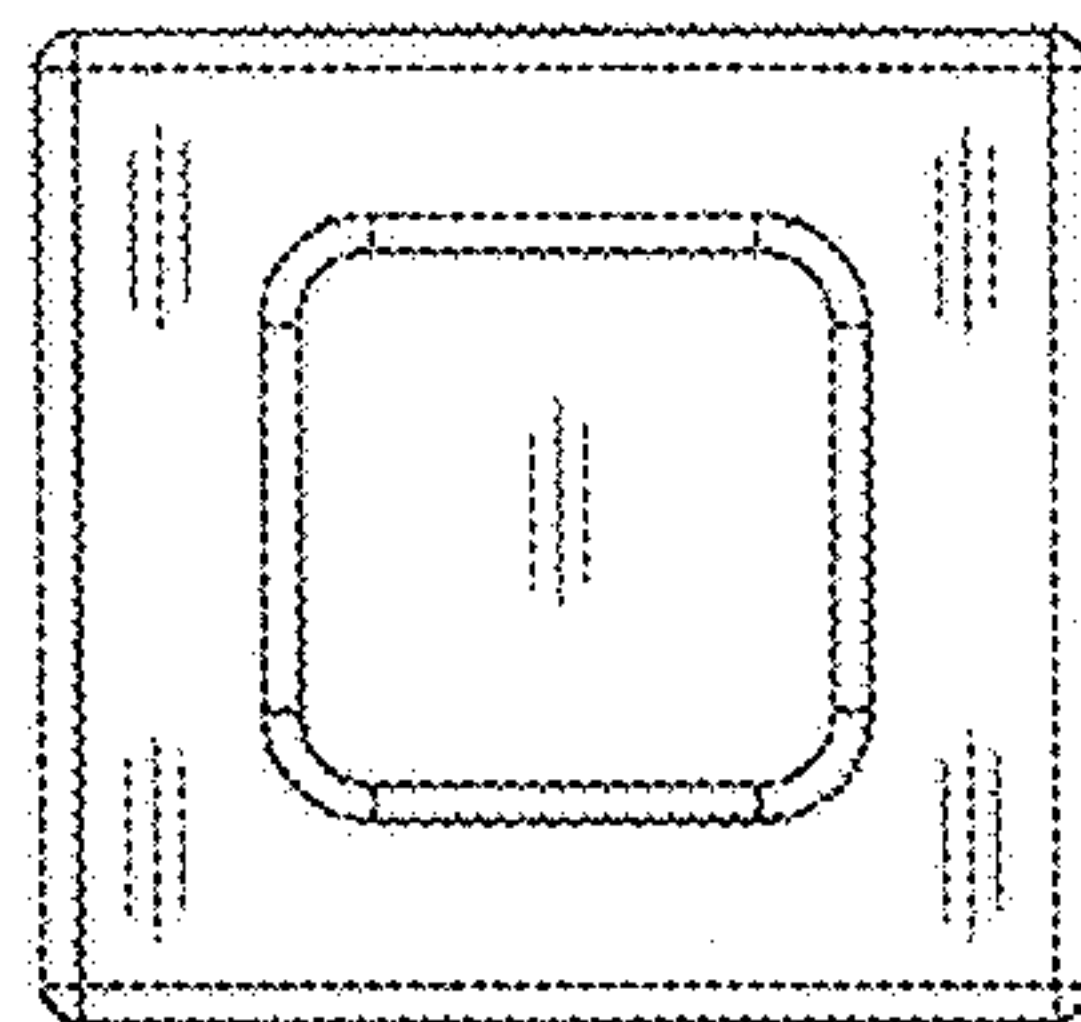


Figure 7

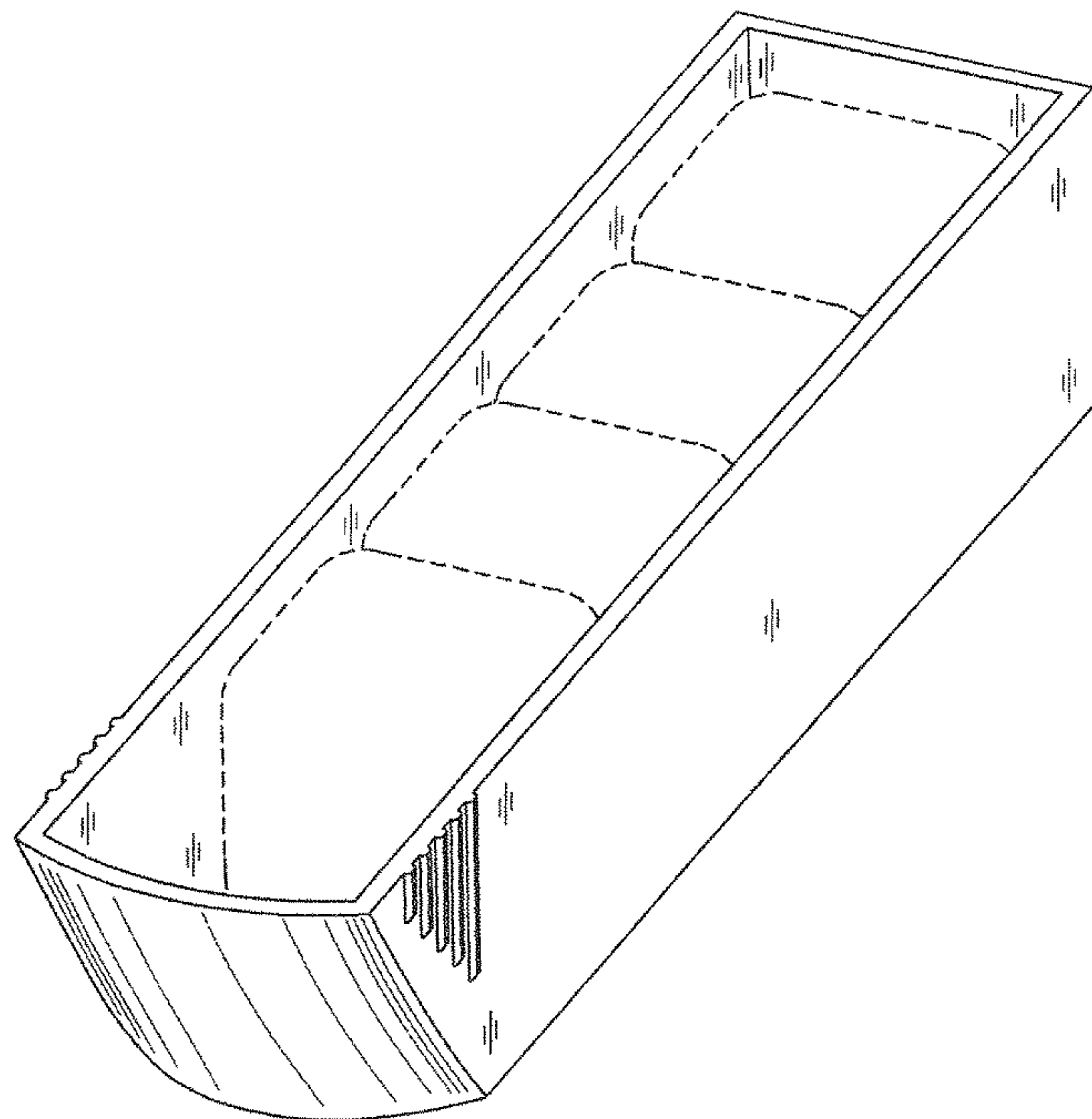


Figure 8

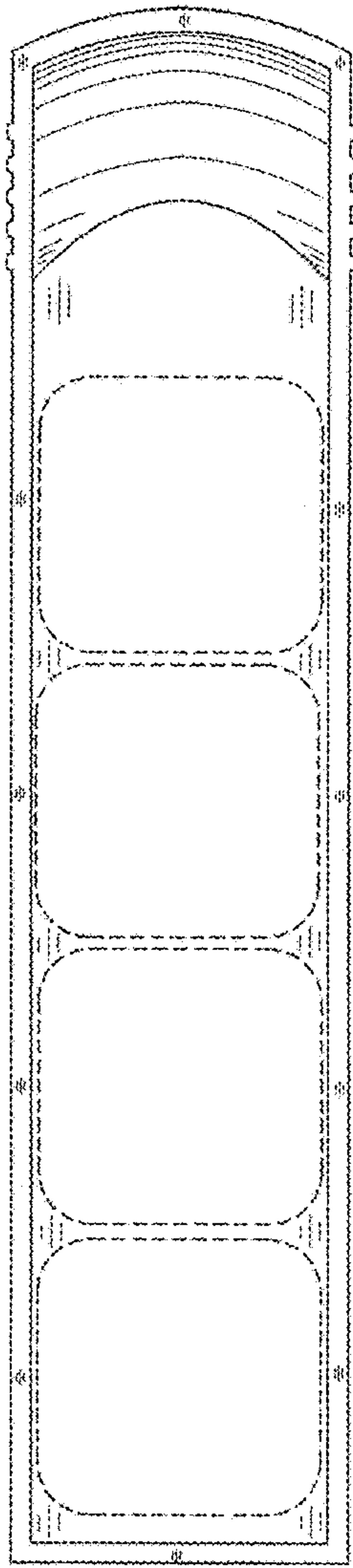


Figure 9

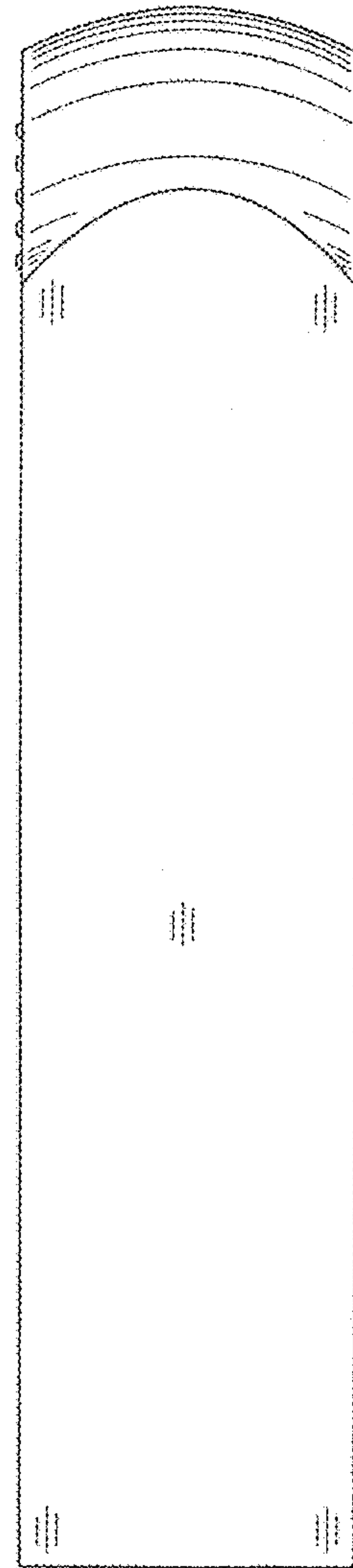


Figure 10

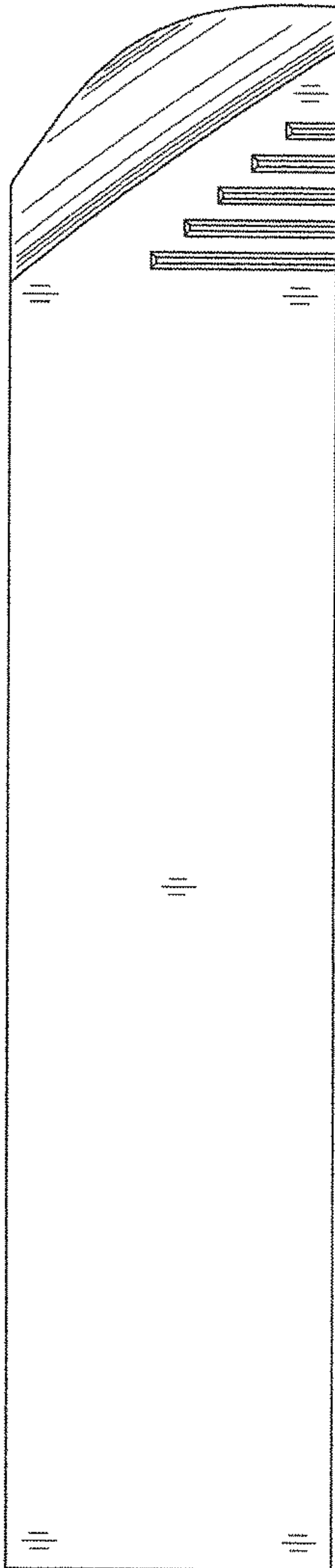


Figure 11

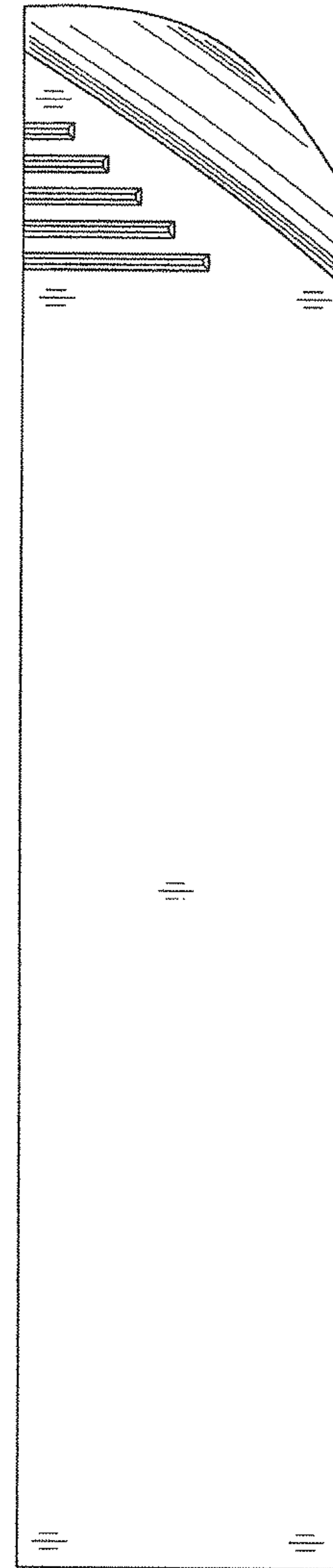


Figure 12

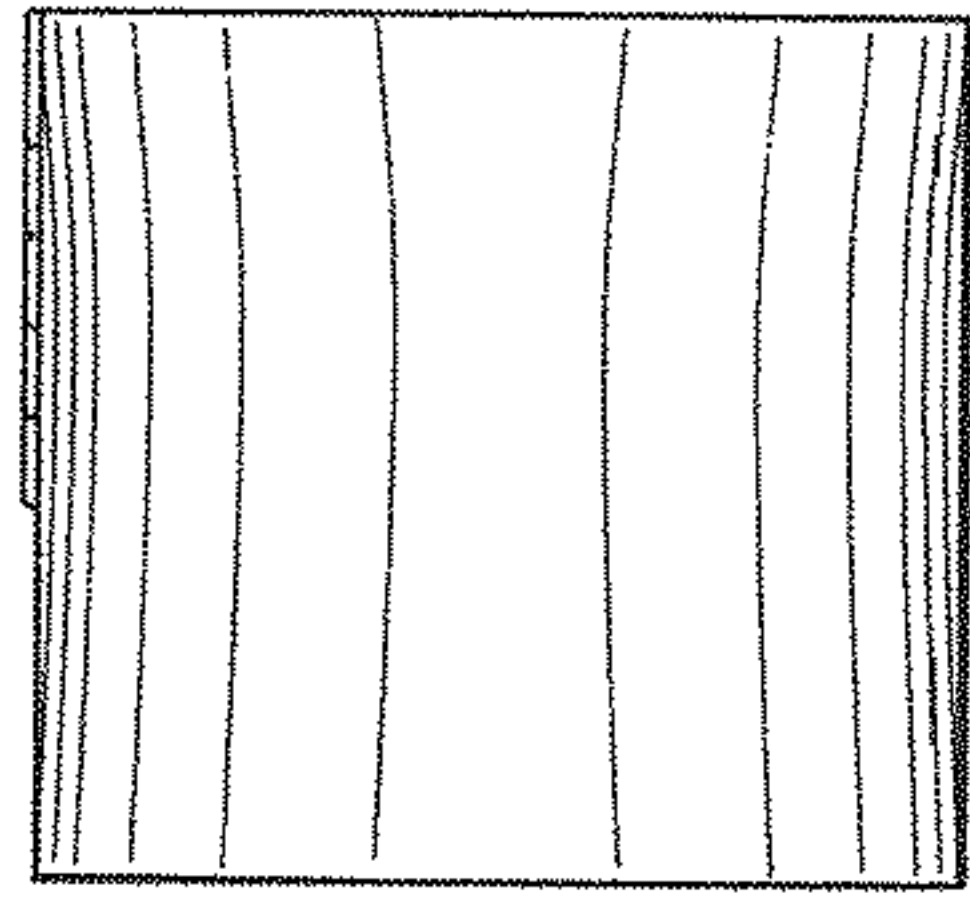


Figure 13

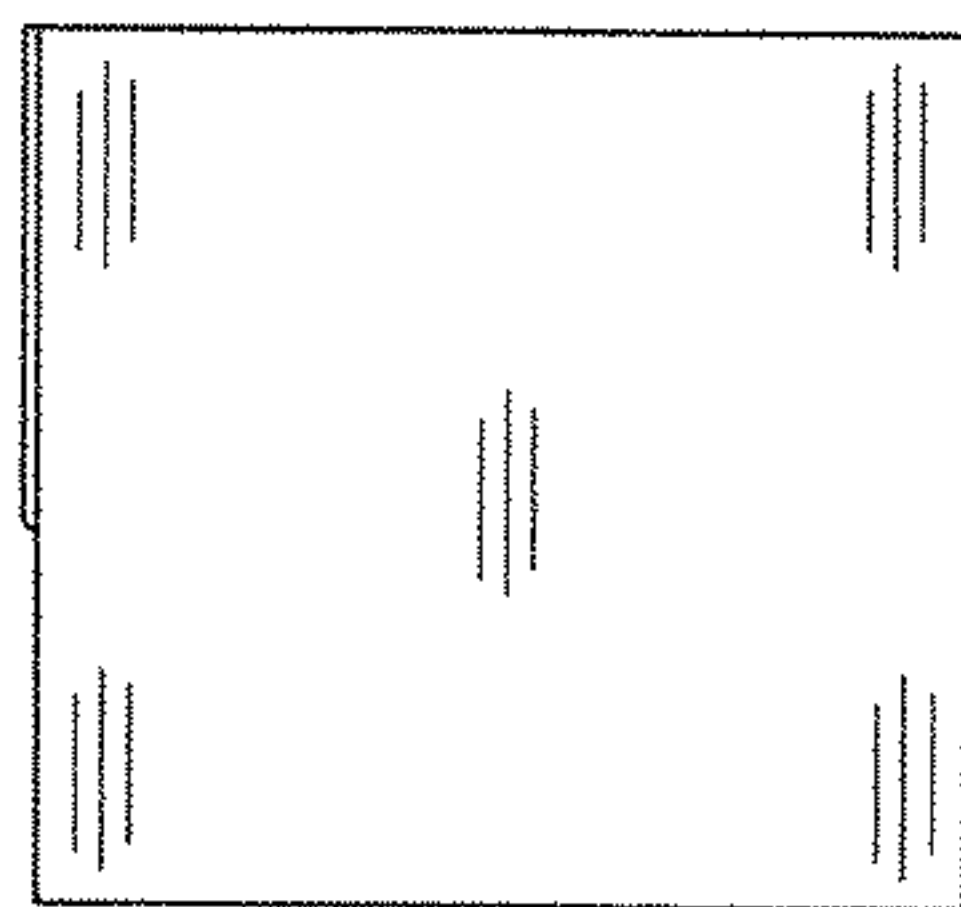


Figure 14

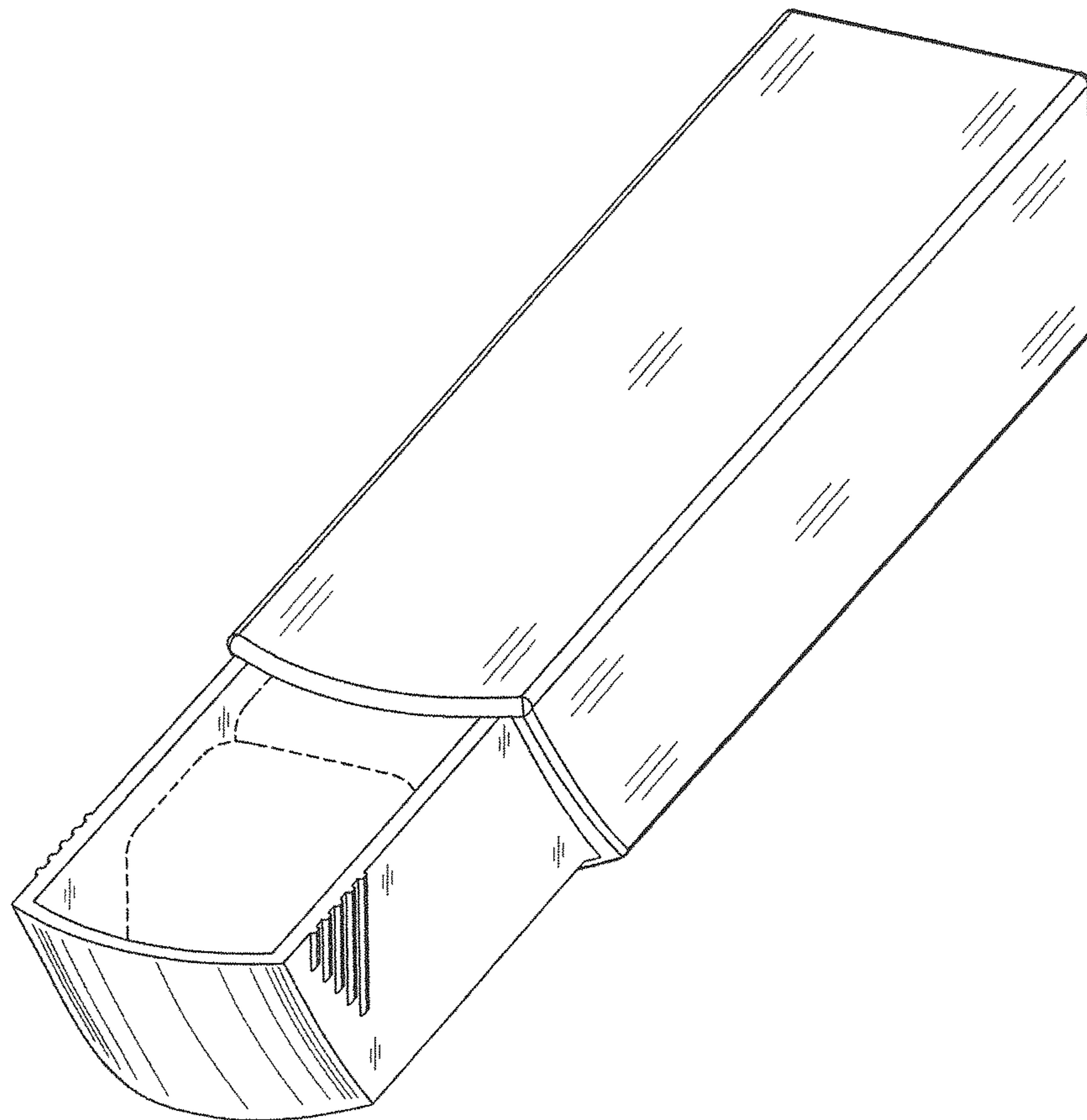


Figure 15

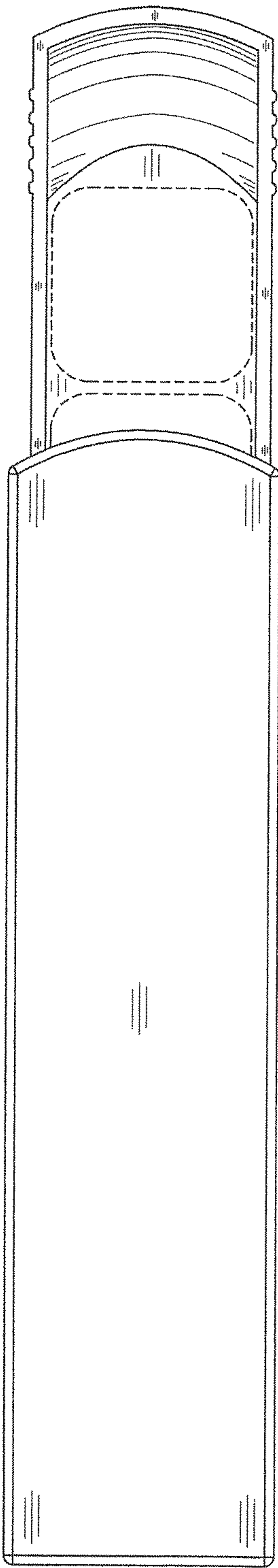


Figure 16

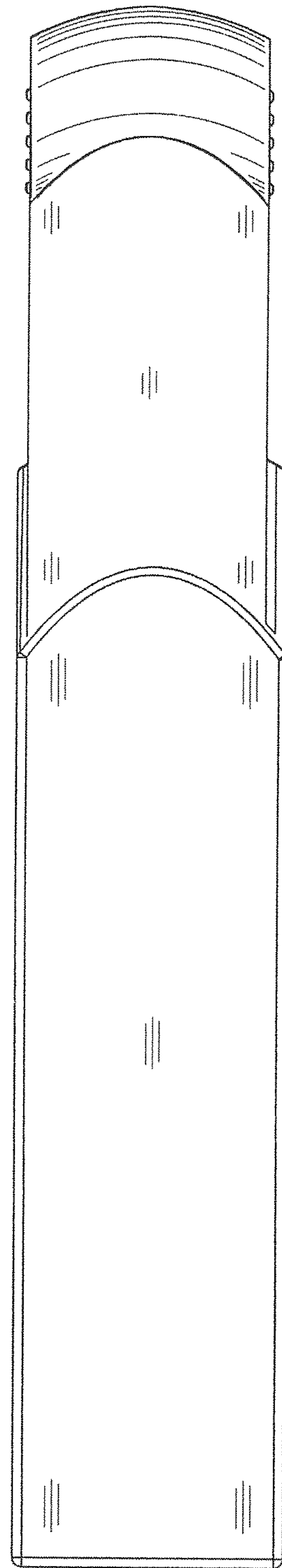


Figure 17

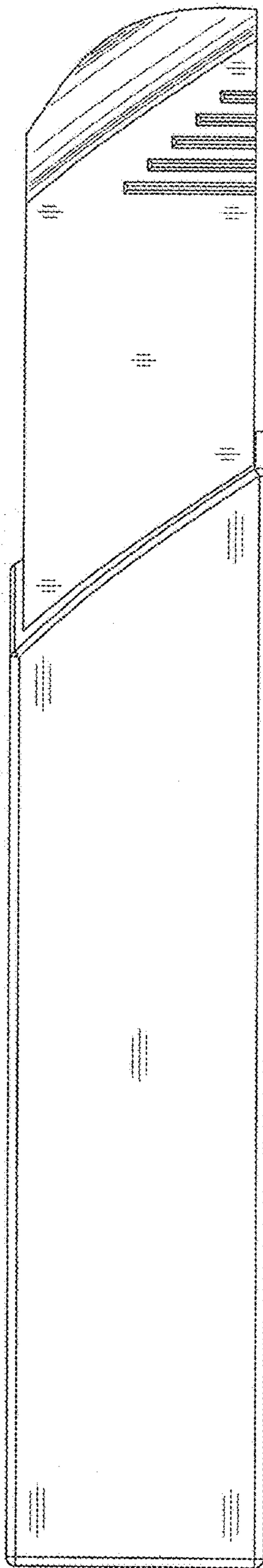


Figure 18

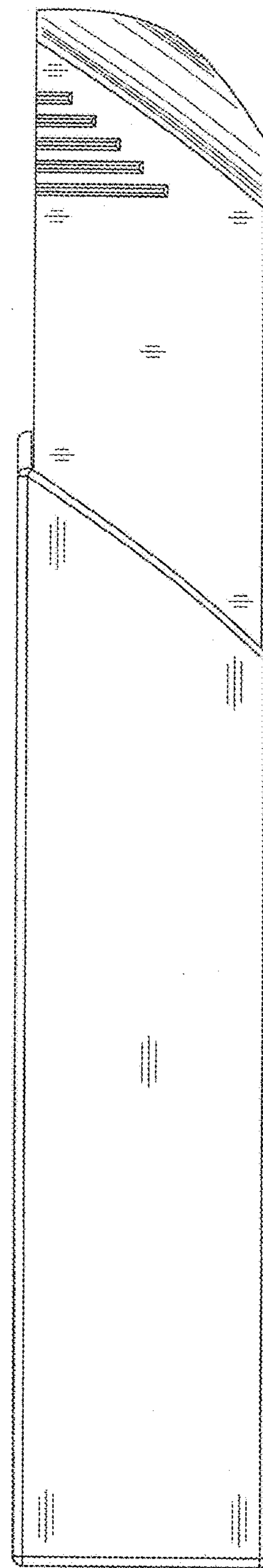


Figure 19

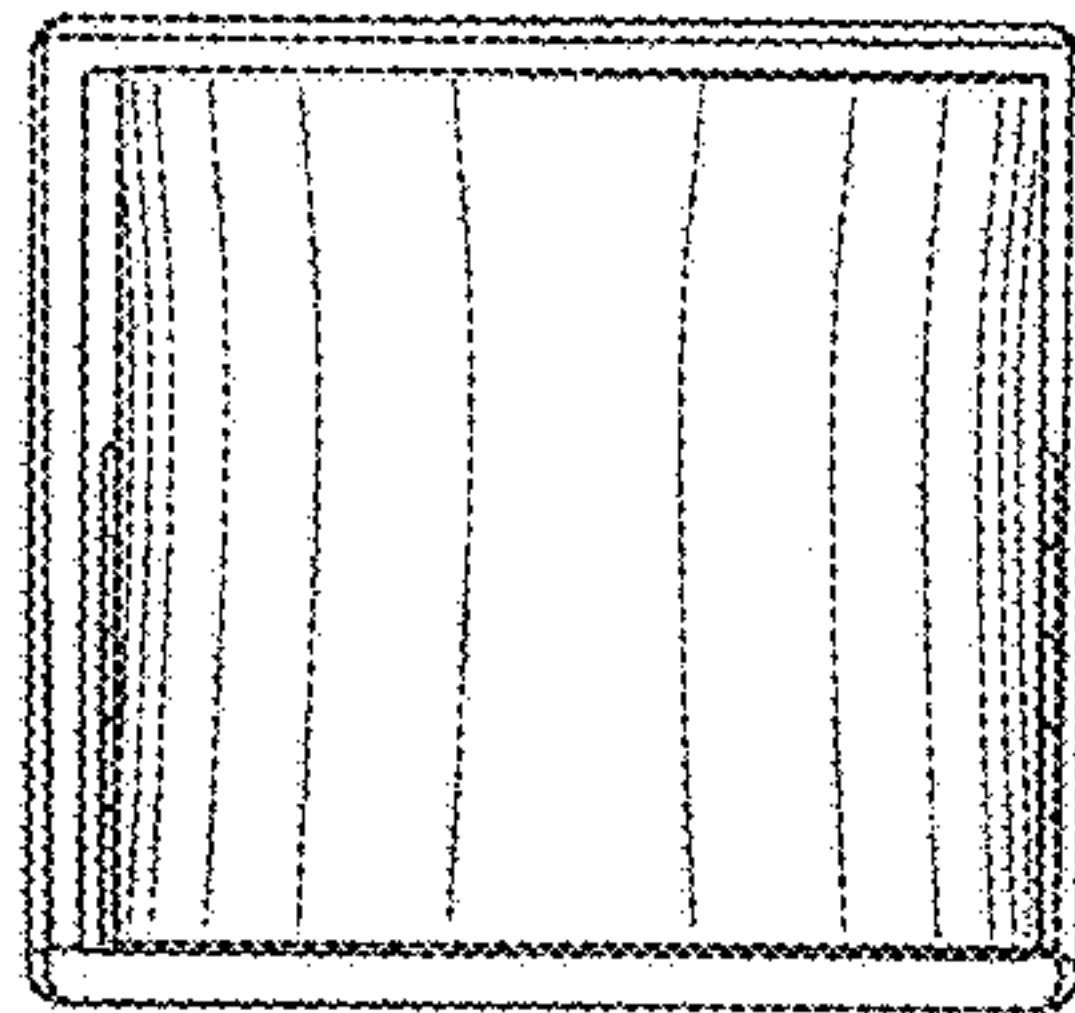


Figure 20

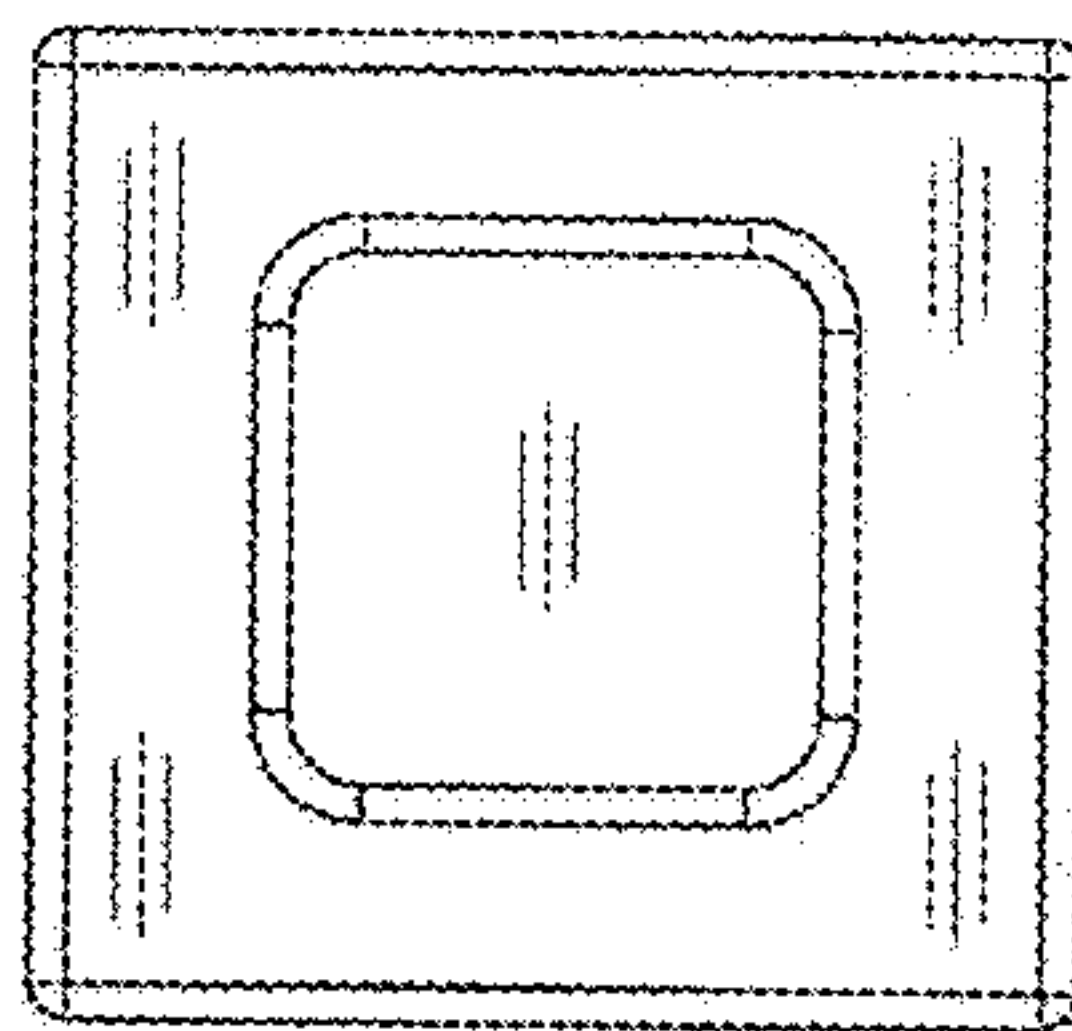


Figure 21

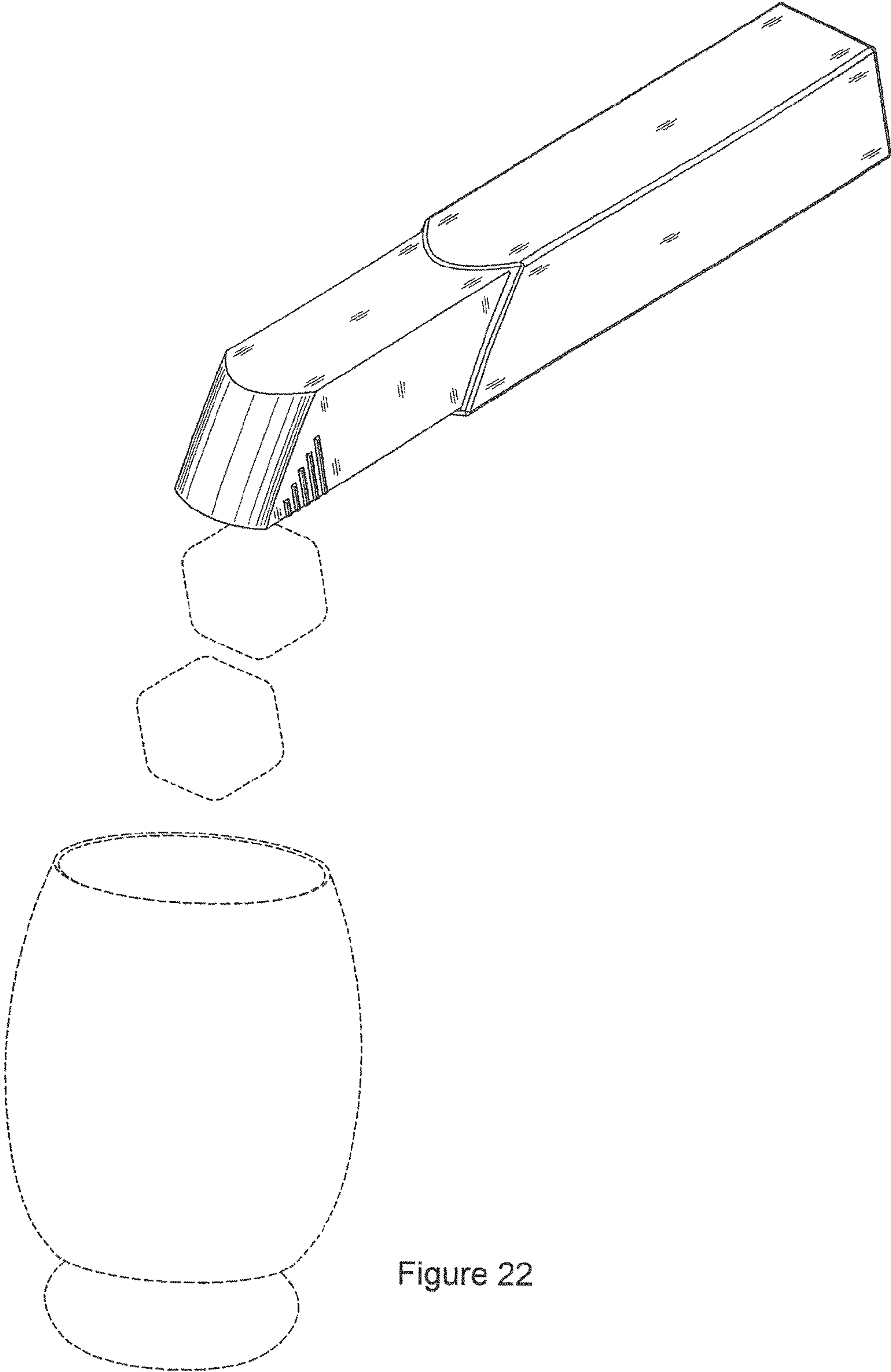


Figure 22