



US00D691181S

(12) **United States Design Patent**  
**Asano et al.**

(10) **Patent No.:** **US D691,181 S**  
(45) **Date of Patent:** **\*\* Oct. 8, 2013**

(54) **SEWING MACHINE**

(75) Inventors: **Masahide Asano**, Nagoya (JP);  
**Mitsuharu Hattori**, Nagoya (JP)

(73) Assignee: **Brother Industries, Ltd.**, Nagoya (JP)

(\*\*) Term: **14 Years**

(21) Appl. No.: **29/430,282**

(22) Filed: **Aug. 23, 2012**

(51) **LOC (9) Cl.** ..... **15-06**

(52) **U.S. Cl.**  
USPC ..... **D15/69**

(58) **Field of Classification Search**  
USPC ..... D15/66-71; 112/2, 154, 163, 271,  
112/217.1-217.4, 258-262, 400, 470.1, 470.4,  
112/444, 63; 312/208.5, 208.6  
See application file for complete search history.

(56) **References Cited**

**U.S. PATENT DOCUMENTS**

D503,726 S *	4/2005	Iwai	.....	D15/69
D514,598 S *	2/2006	Egami	.....	D15/69
D514,599 S *	2/2006	Egami	.....	D15/69
D620,504 S *	7/2010	Hattori	.....	D15/69
D629,020 S *	12/2010	Hattori	.....	D15/69
D661,324 S *	6/2012	Rohner et al.	.....	D15/69

D664,160 S *	7/2012	Asano et al.	.....	D15/69
D664,161 S *	7/2012	Asano et al.	.....	D15/69
D664,162 S *	7/2012	Asano et al.	.....	D15/69
D671,567 S *	11/2012	Muto	.....	D15/69
D678,362 S *	3/2013	Tanaka et al.	.....	D15/69

\* cited by examiner

*Primary Examiner* — Mitchell Siegel

(74) *Attorney, Agent, or Firm* — Oliff & Berridge, PLC

(57) **CLAIM**

The ornamental design for a sewing machine, as shown and described.

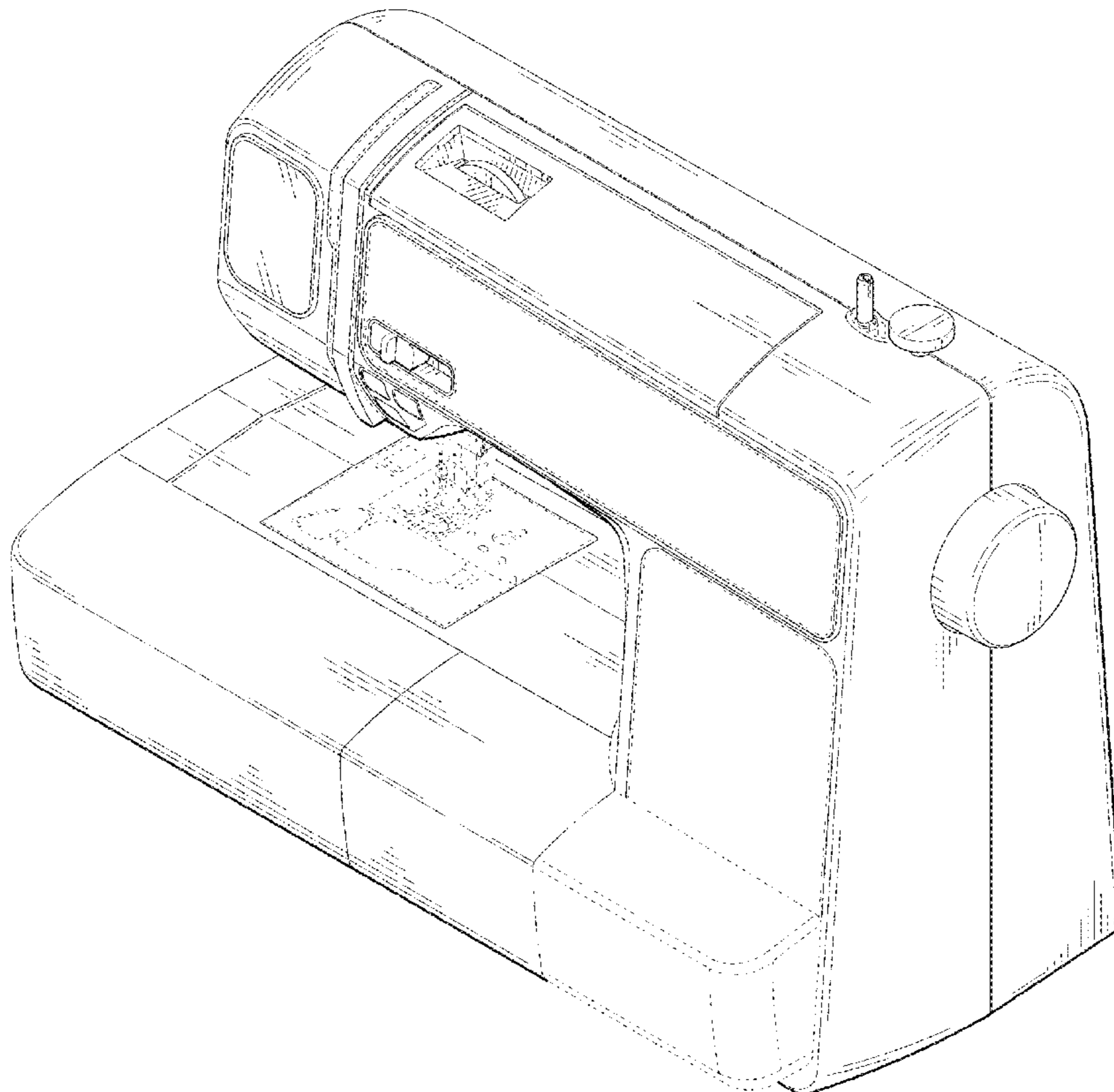
**DESCRIPTION**

FIG. 1 is a perspective view of a sewing machine;  
FIG. 2 is a front view thereof;  
FIG. 3 is a top view thereof;  
FIG. 4 is a right-side view thereof;  
FIG. 5 is a left-side view thereof;  
FIG. 6 is a rear view thereof; and,  
FIG. 7 is a bottom view thereof.

The dot chain lines illustrated a boundary between claimed and unclaimed surfaces and form no part of the claimed design.

The broken lines depict environmental subject matter only and form no part of the claimed design.

**1 Claim, 6 Drawing Sheets**



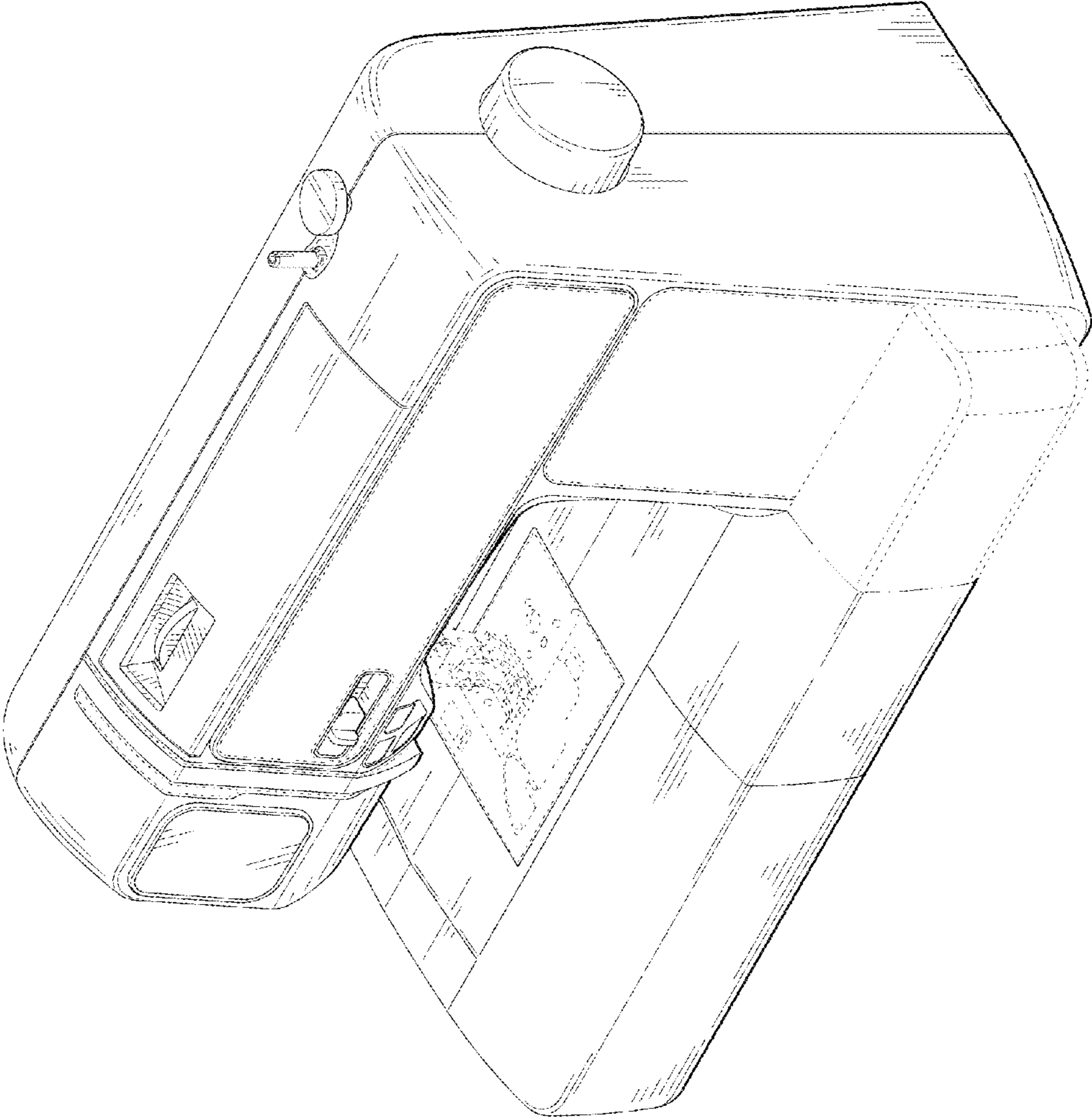


FIG. 1

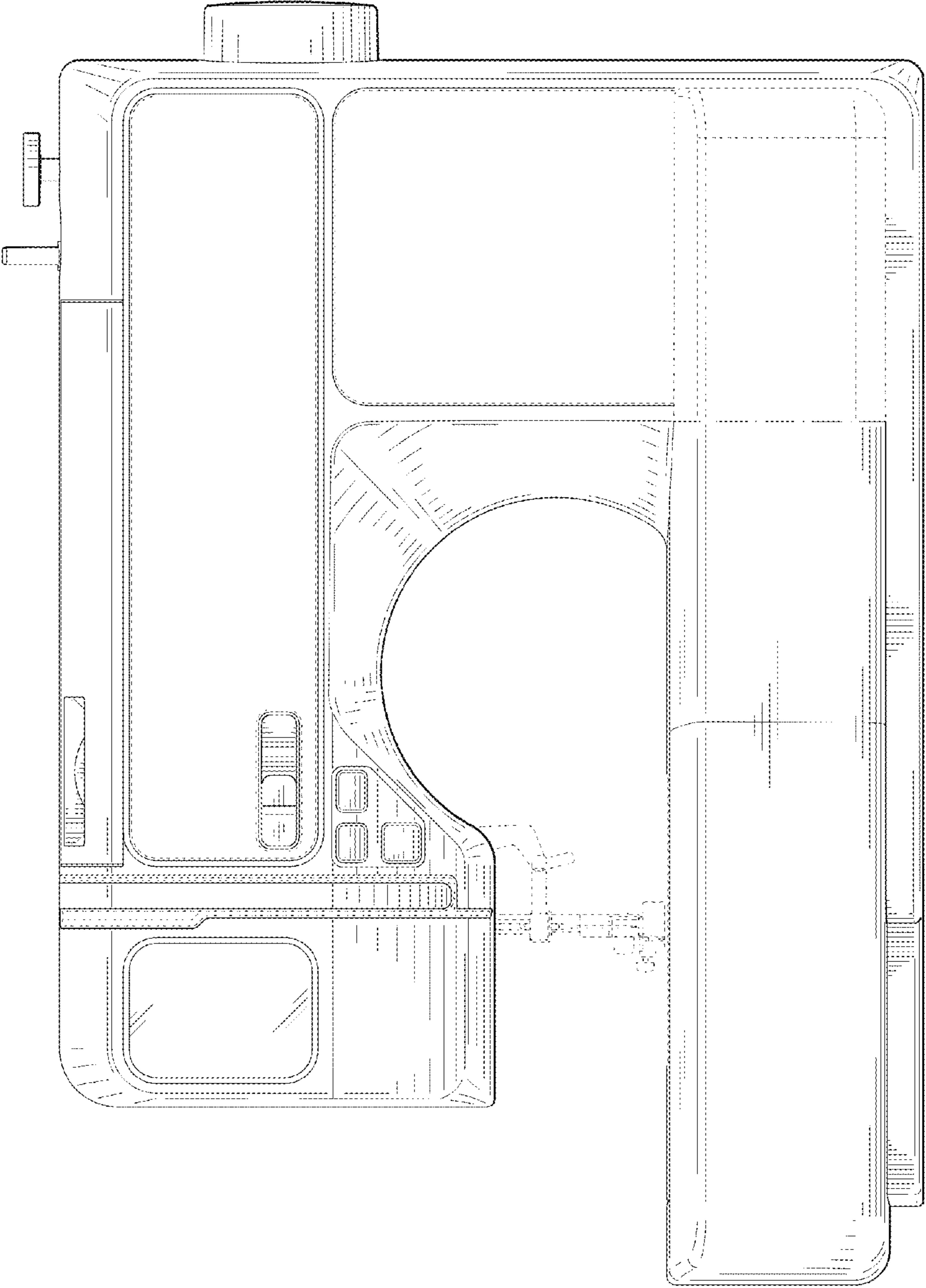


FIG. 2



FIG. 3

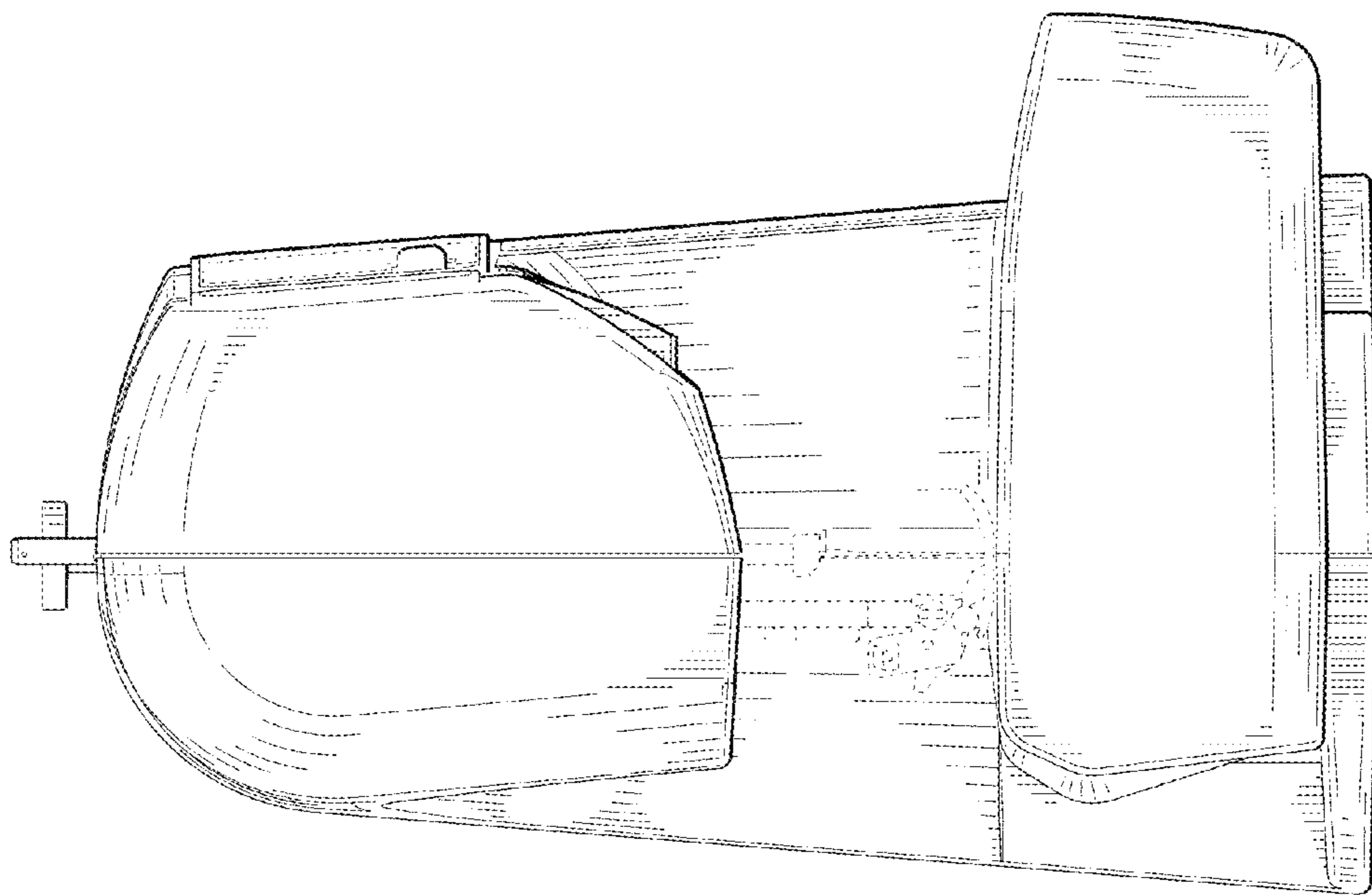


FIG. 5

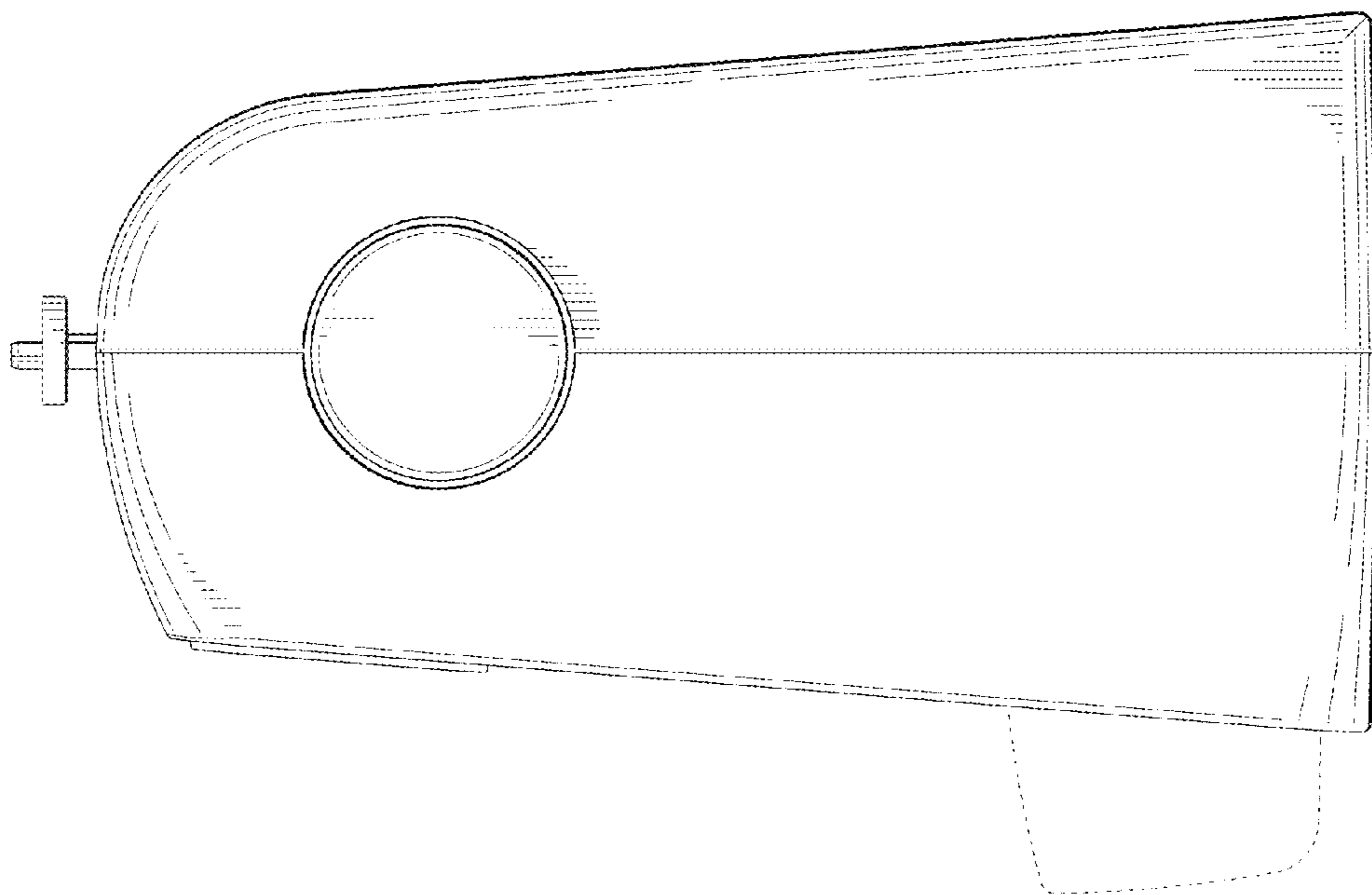


FIG. 4

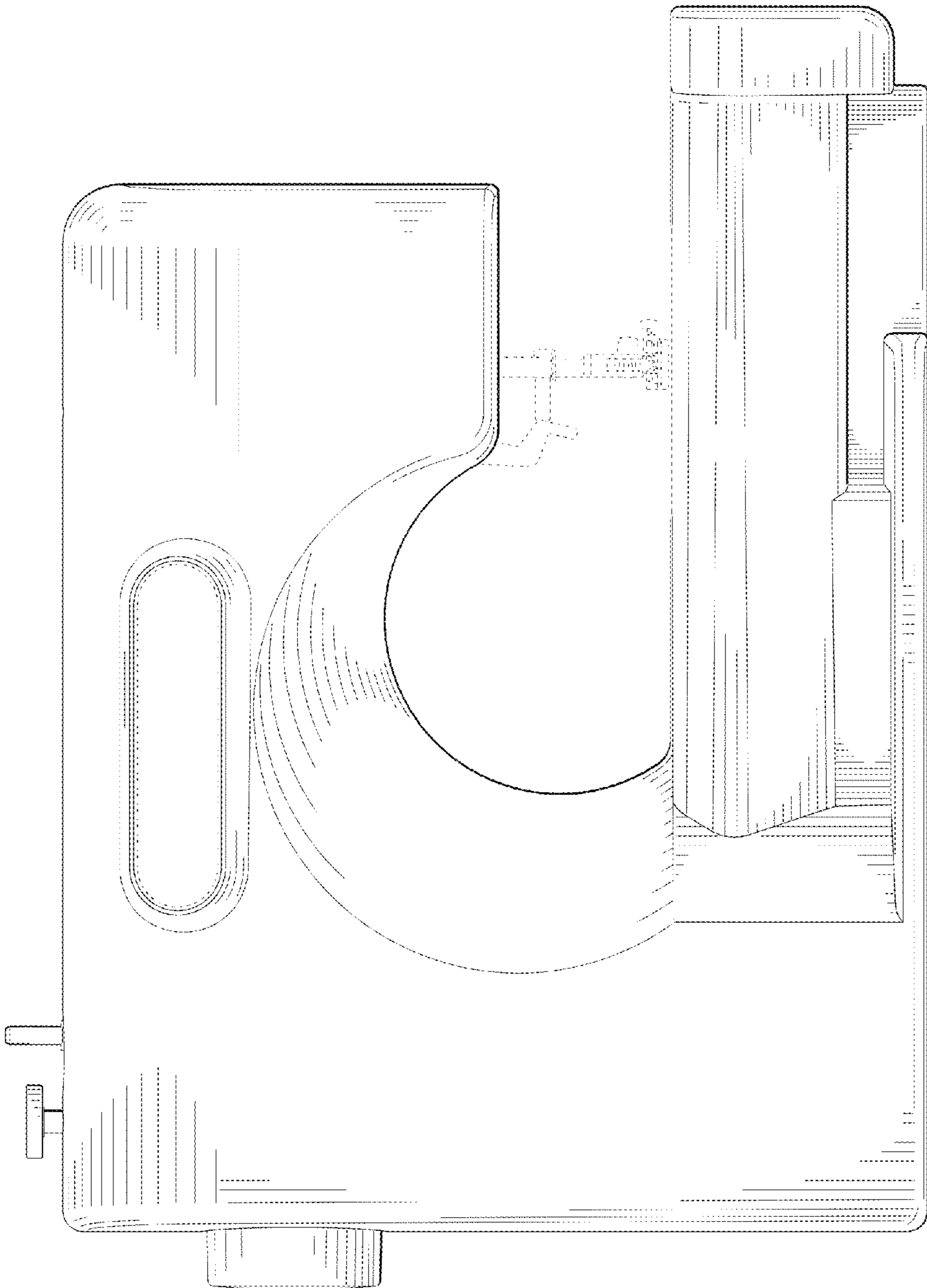


FIG. 6

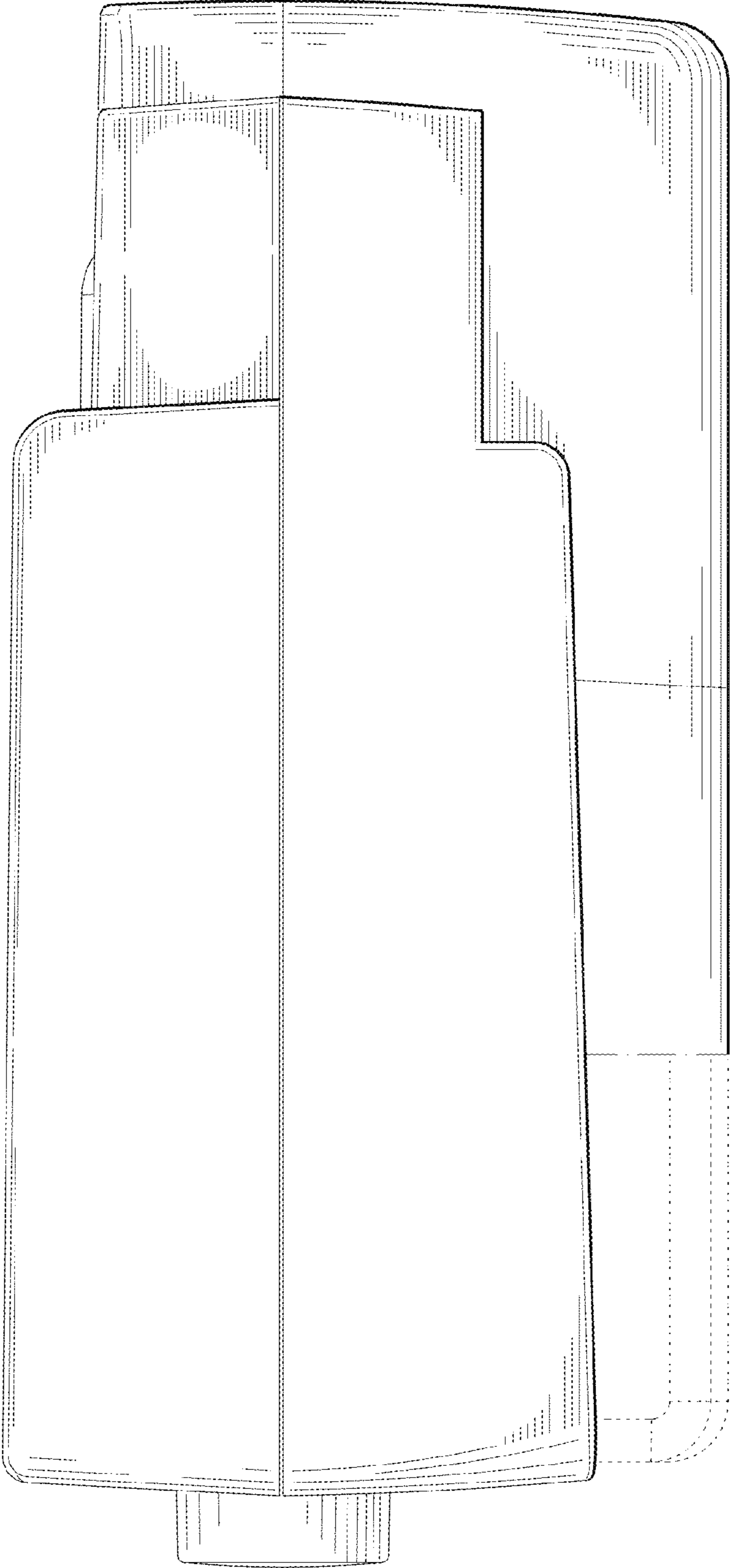


FIG. 7