

US00D691179S

(12) **United States Design Patent**  
**Charriere**

(10) **Patent No.:** **US D691,179 S**  
(45) **Date of Patent:** **\*\* Oct. 8, 2013**

(54) **METERING PUMP**

(71) Applicant: **Dosatron International**, Bordeaux (FR)

(72) Inventor: **Christophe Charriere**, Camblanes et Meynac (FR)

(73) Assignee: **Dosatron International**, Tresses, Bordeaux (FR)

(\*\*) Term: **14 Years**

(21) Appl. No.: **29/437,735**

(22) Filed: **Nov. 20, 2012**

(30) **Foreign Application Priority Data**

Jul. 2, 2012 (EM) ..... 002066563-0001

(51) **LOC (9) Cl.** ..... **15-02**

(52) **U.S. Cl.**  
USPC ..... **D15/7**

(58) **Field of Classification Search**  
USPC ..... D15/7-9; D23/231, 232; 417/410.1,  
417/359, 415-416, 234, 321, 265, 405, 1,  
417/63, 53, 393; D24/107, 108, 111

See application file for complete search history.

(56) **References Cited**

U.S. PATENT DOCUMENTS

D401,944	S	*	12/1998	Campbell	.....	D15/7
D440,231	S	*	4/2001	Craford et al.	.....	D15/7
D649,164	S	*	11/2011	Cook	.....	D15/7
D678,338	S	*	3/2013	O'Shea	.....	D15/7

\* cited by examiner

*Primary Examiner* — Ralf Seifert

(74) *Attorney, Agent, or Firm* — Wenderoth, Lind & Ponack, L.L.P.

(57) **CLAIM**

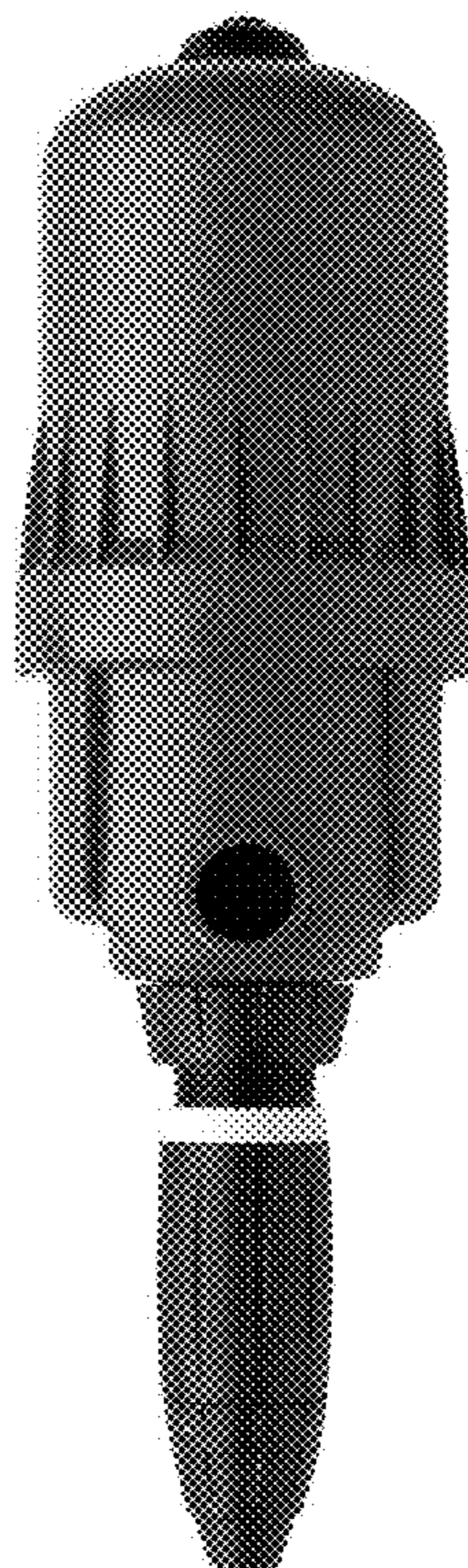
The ornamental design for a metering pump, as shown and described.

**DESCRIPTION**

The file of this patent contains at least one drawing/photograph executed in color. Copies of this patent with color drawing(s)/photograph(s) will be provided by the Office upon request and payment of the necessary fee.

FIG. 1 is a right view of the invention;  
FIG. 2 is a left view of the invention;  
FIG. 3 is a bottom view of the invention;  
FIG. 4 is a top view of the invention; and,  
FIG. 5 is a front view of the invention, a rear view of the invention is omitted because it is a mirror image of the front view.

**1 Claim, 5 Drawing Sheets**  
**(5 of 5 Drawing Sheet(s) Filed in Color)**



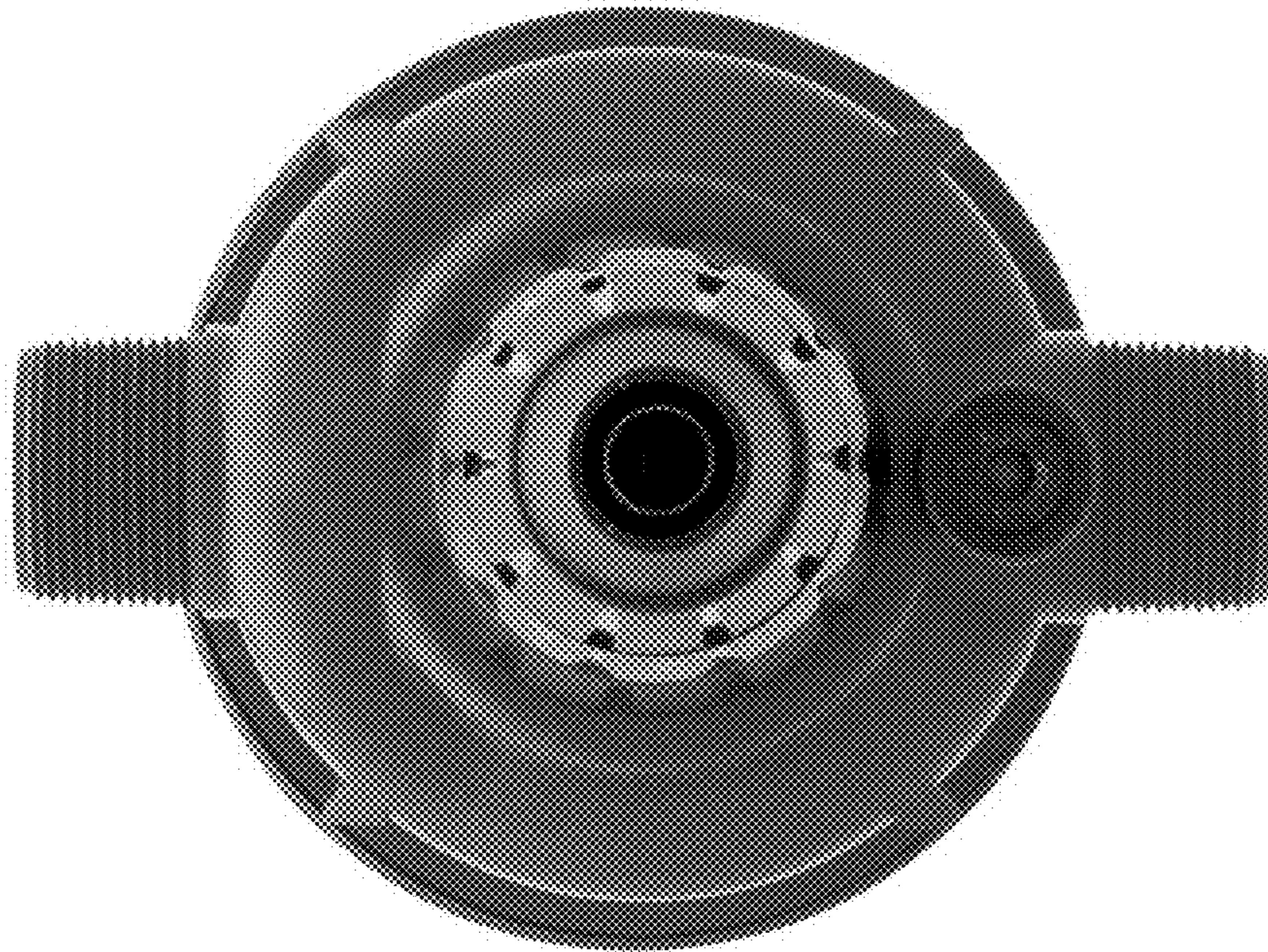
**Fig. 1**



**Fig. 2**



**Fig. 3**



**Fig. 4**



**Fig. 5**

