

US00D691177S

(12) **United States Design Patent**
Tiefenthaler

(10) **Patent No.:** **US D691,177 S**
(45) **Date of Patent:** **** Oct. 8, 2013**

- (54) **COVER FOR AN ENGINE**
- (75) Inventor: **Carl T. Tiefenthaler**, Jackson, WI (US)
- (73) Assignee: **Briggs & Stratton Corporation**,
Wauwatosa, WI (US)
- (**) Term: **14 Years**
- (21) Appl. No.: **29/429,344**
- (22) Filed: **Aug. 9, 2012**

- D594,476 S 6/2009 Mayer et al.
- D594,878 S 6/2009 Post et al.
- D598,471 S 8/2009 Wang et al.
- D628,596 S 12/2010 Azuma
- D671,959 S * 12/2012 Burey et al. D15/5

OTHER PUBLICATIONS

Professional Series 875 and 700 Series DOV engines, downloaded from website www.briggsandstratton.com/engines/push-mower on Jun. 14, 2011, 4 pages.
Briggs & Stratton 700 Series DOV engine, downloaded from website www.usinenouvelle.com/industry/briggs-et-stratton-635/briggs-stratton-series-dov-p57879.html on Jun. 14, 2011, 3 pages.

* cited by examiner

Primary Examiner — T. Chase Nelson
Assistant Examiner — Ania Aman
(74) *Attorney, Agent, or Firm* — Foley & Lardner LLP

Related U.S. Application Data

- (62) Division of application No. 29/401,229, filed on Sep. 8, 2011, now Pat. No. Des. 667,464, which is a division of application No. 29/387,394, filed on Mar. 11, 2011, now Pat. No. Des. 647,536.
- (51) **LOC (9) Cl.** **15-01**
- (52) **U.S. Cl.**
USPC **D15/5**
- (58) **Field of Classification Search**
USPC D15/1, 2, 3, 5, 6, 14, 17, 149; 123/22,
123/41, 51 A, 34, 606 R, 52.1, 50 A, 50 B,
123/54.1, 54.2, 54.4, 54.5, 65 R, 195 R,
123/195 HC, 657, 311
See application file for complete search history.

(57) **CLAIM**

I claim the ornamental design for a cover for an engine, as shown and described.

DESCRIPTION

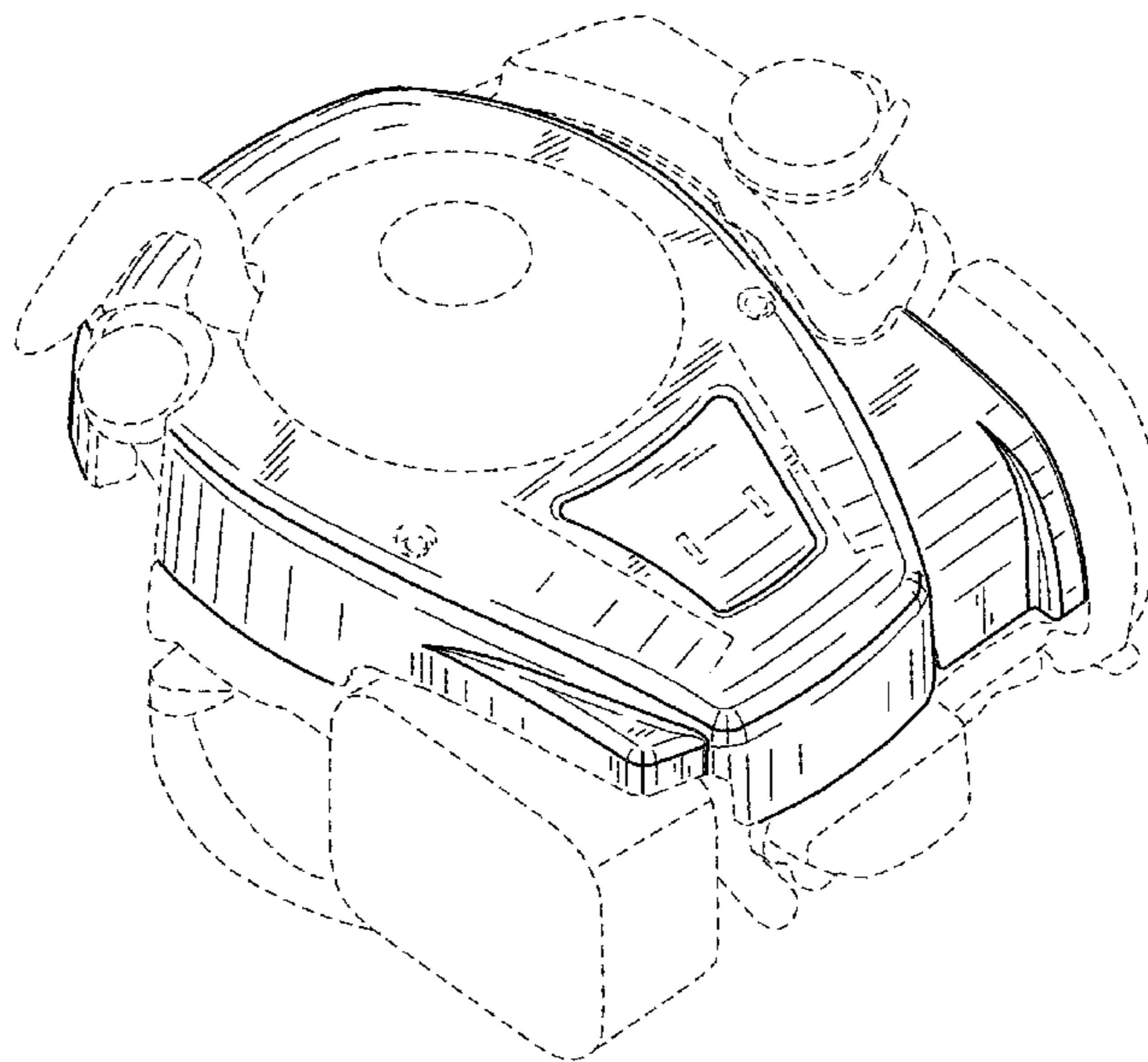
FIG. 1 is a front perspective view from above of the claimed design;
FIG. 2 is a rear perspective view from above of the claimed design of FIG. 1;
FIG. 3 is a top view of the claimed design of FIG. 1;
FIG. 4 is a front view of the claimed design of FIG. 1;
FIG. 5 is a left side view of the claimed design of FIG. 1;
FIG. 6 is a right side view of the claimed design of FIG. 1; and,
FIG. 7 is a rear side view of the claimed design of FIG. 1.
The broken lines in the drawings are for illustrative purposes only and form no part of the claimed design.

1 Claim, 7 Drawing Sheets

(56) **References Cited**

U.S. PATENT DOCUMENTS

- D471,207 S 3/2003 Kern et al.
- D513,012 S 12/2005 Strandell et al.
- D513,754 S 1/2006 Strandell et al.
- D525,991 S 8/2006 Walters
- D548,750 S 8/2007 Neeley et al.
- D553,645 S 10/2007 Drew et al.
- D572,271 S 7/2008 Maeda
- D576,178 S 9/2008 Neeley
- D583,831 S 12/2008 Post et al.



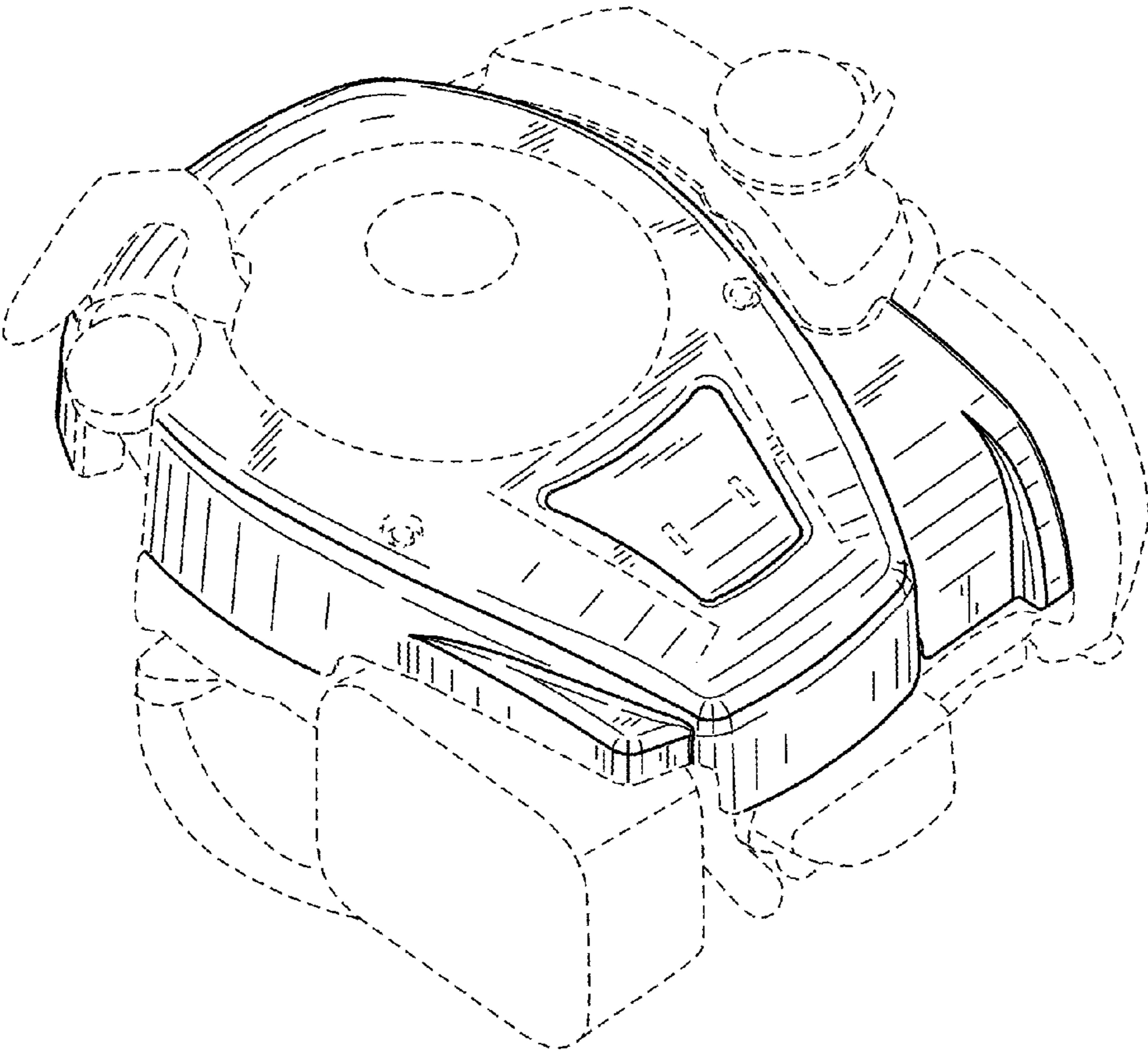


FIG. 1

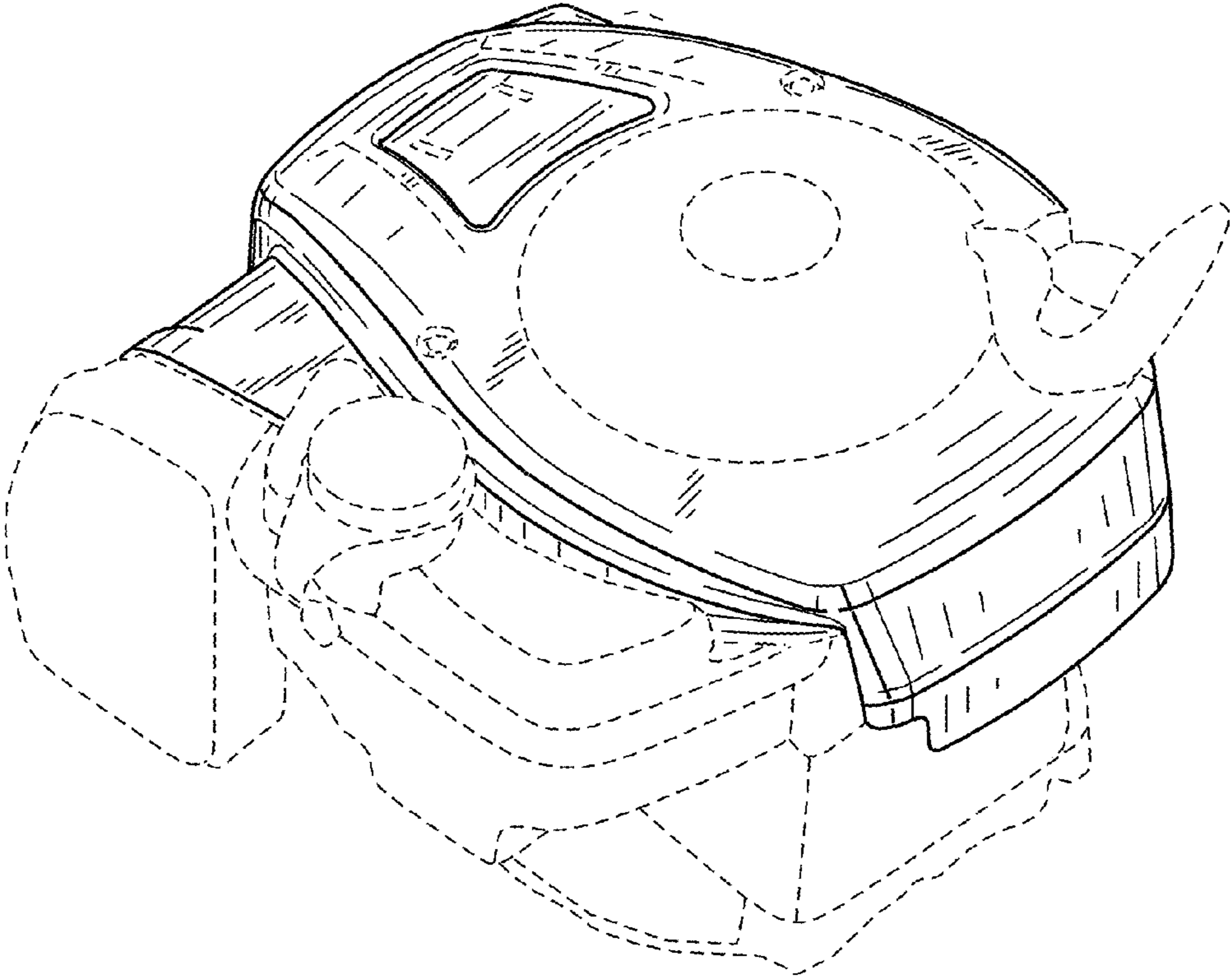


FIG. 2

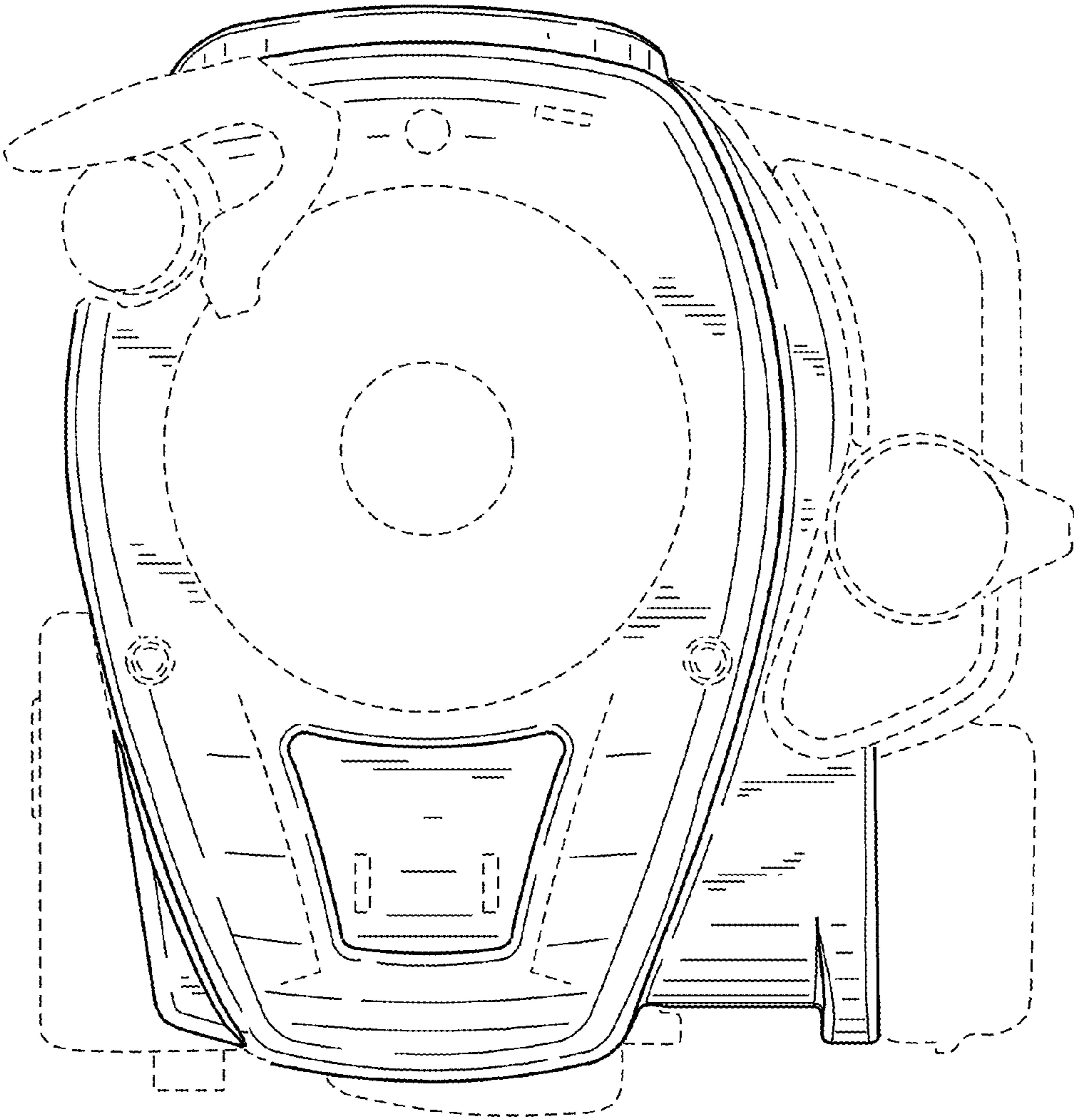


FIG. 3

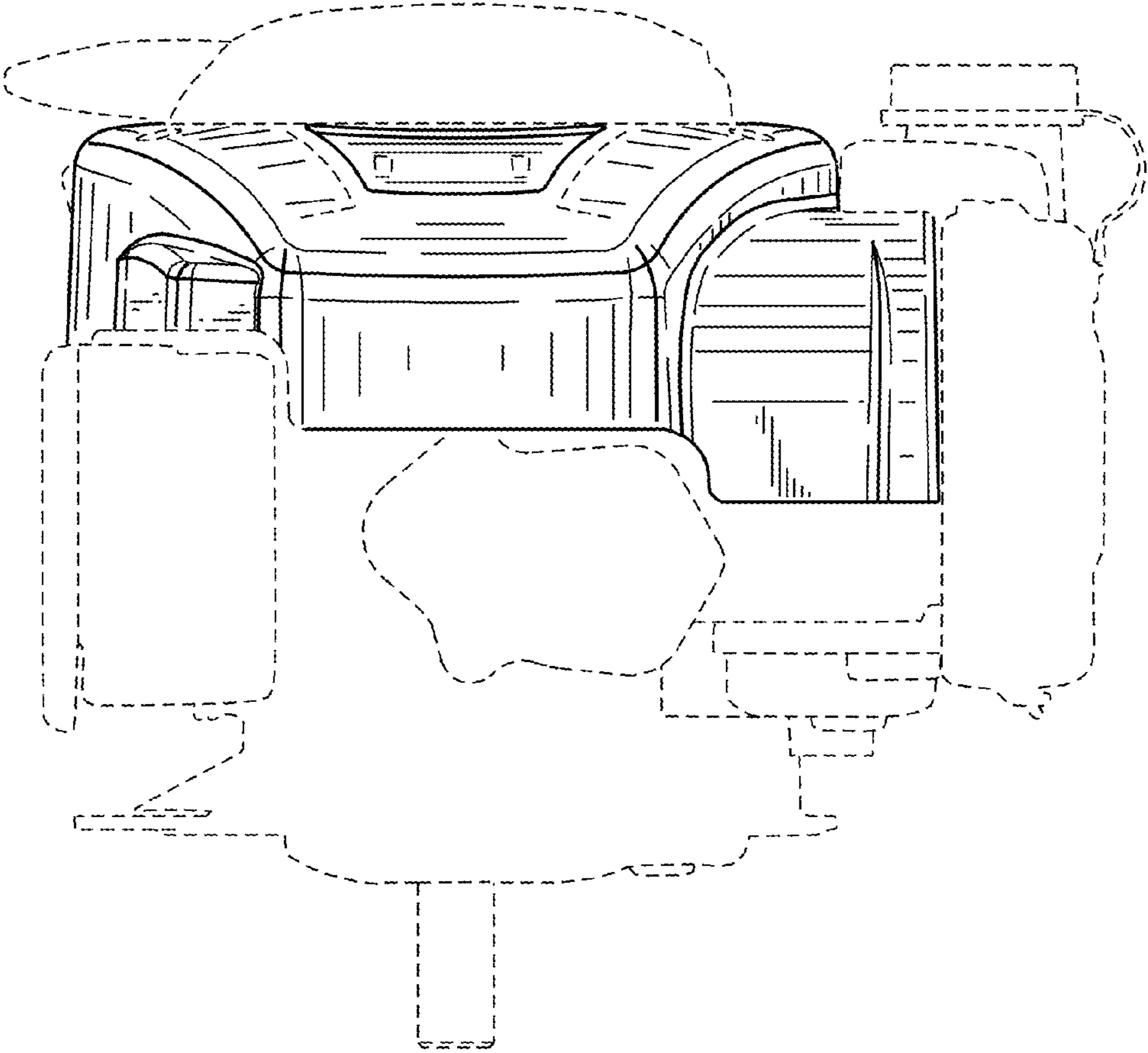


FIG. 4

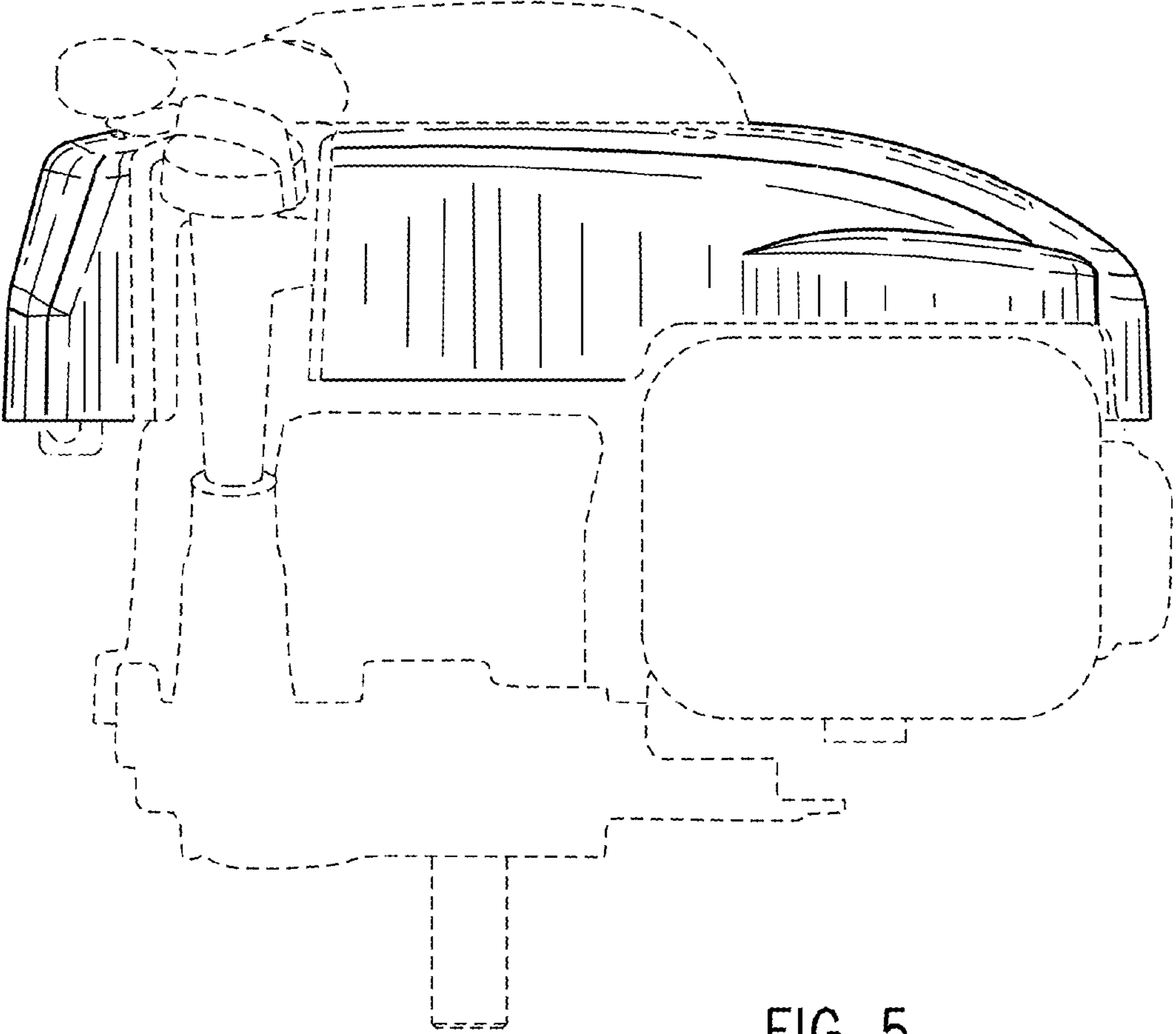


FIG. 5

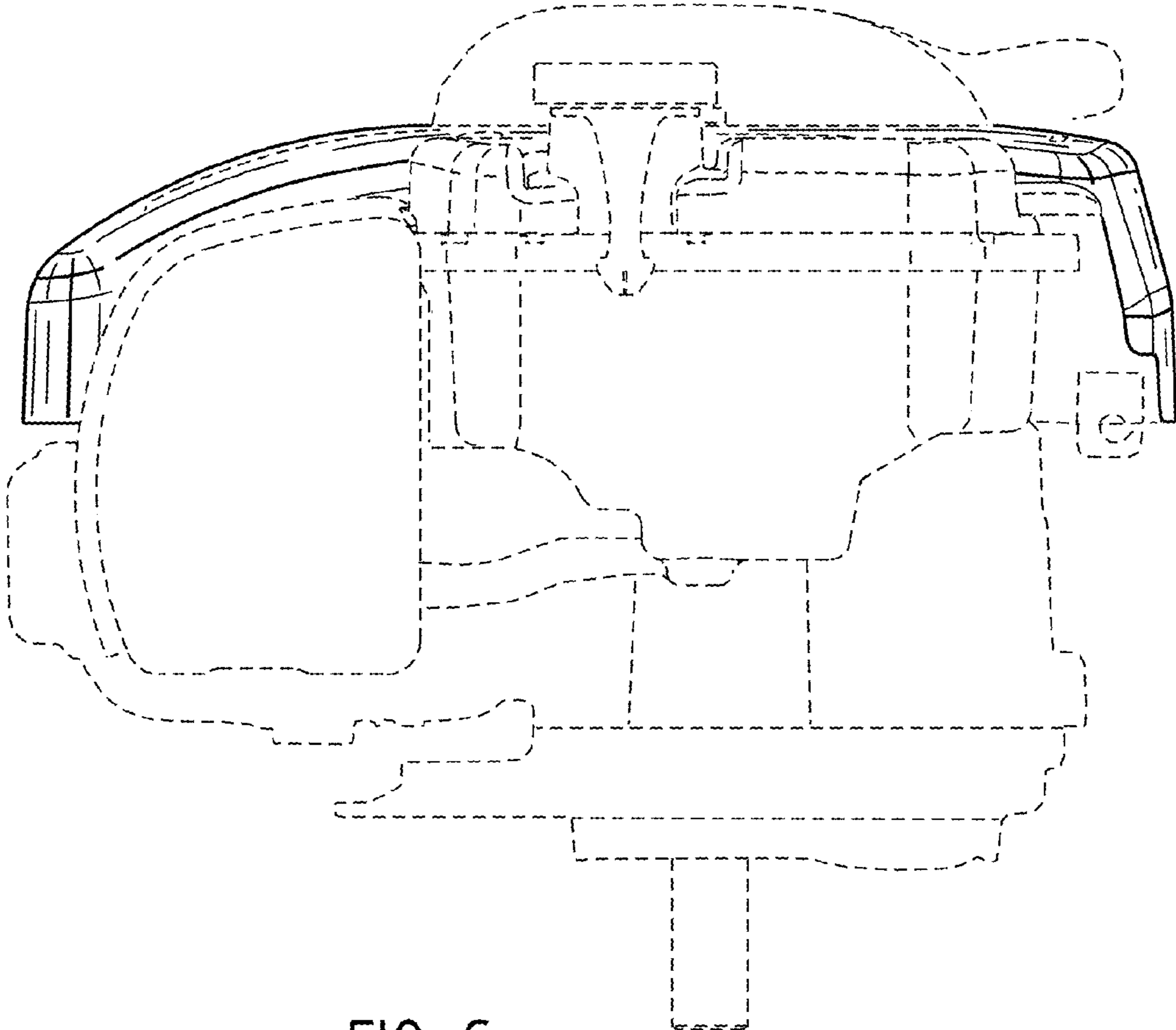


FIG. 6

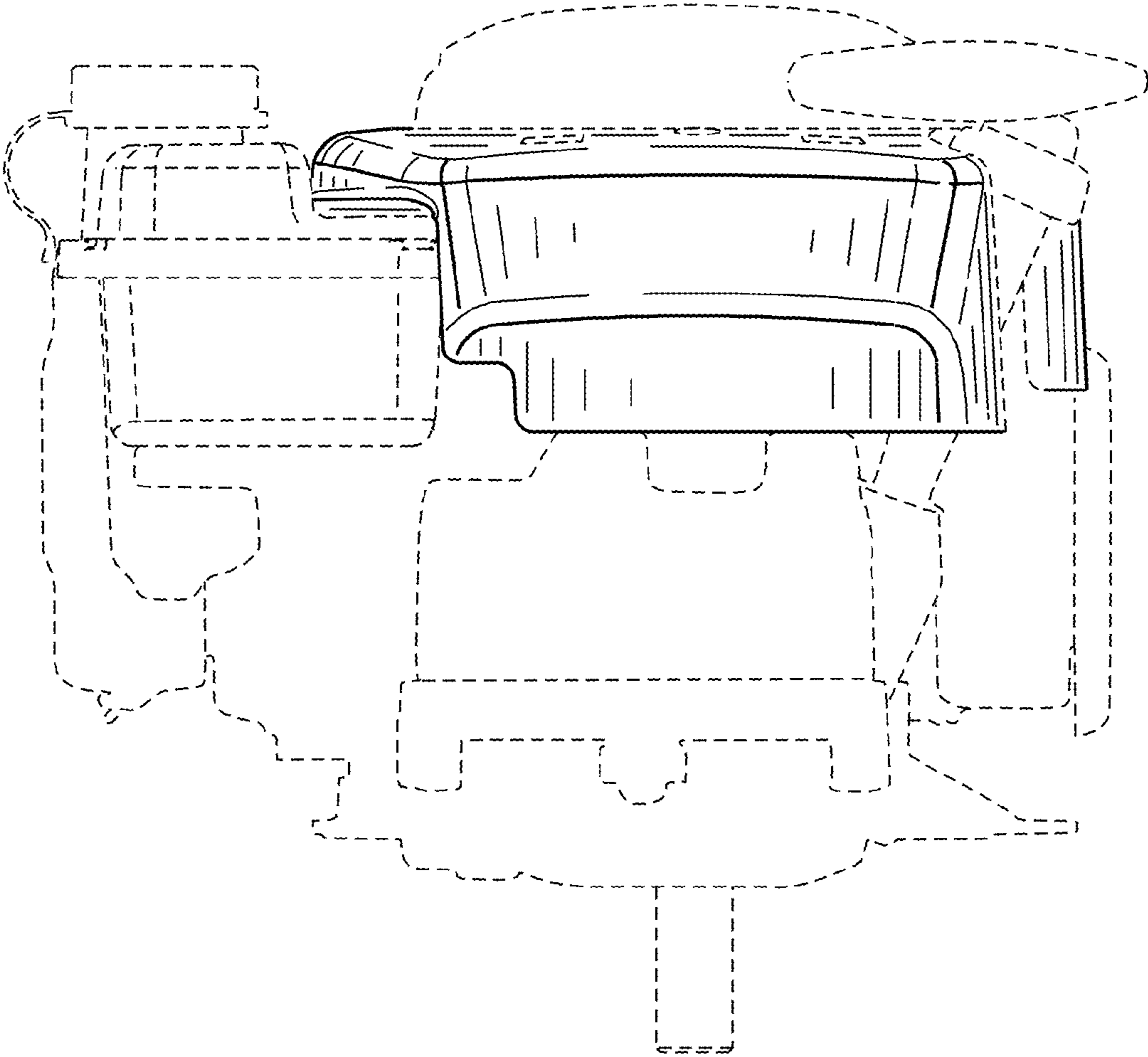


FIG. 7