



US00D691171S

(12) **United States Design Patent**  
**Brinda et al.**

(10) **Patent No.:** **US D691,171 S**  
(45) **Date of Patent:** **\*\* Oct. 8, 2013**

(54) **DISPLAY SCREEN WITH GRAPHICAL USER INTERFACE**

(75) Inventors: **David Brinda**, Bellevue, WA (US);  
**Sheng-Hsin Huang**, Taoyuan County (TW); **Yi-Min Chien**, Taoyuan County (TW); **Jye Rong**, Taoyuan County (TW)

(73) Assignee: **HTC Corporation**, Taoyuan County (TW)

(\*\*) Term: **14 Years**

(21) Appl. No.: **29/391,038**

(22) Filed: **May 3, 2011**

(51) **LOC (9) Cl.** ..... **14-04**

(52) **U.S. Cl.**  
USPC ..... **D14/488**

(58) **Field of Classification Search**  
USPC ..... D14/485, 486, 487, 488, 489, 490, D14/491, 492, 493, 494, 495; 709/217, 218, 709/219, 220, 223, 224; 715/205, 833, 834, 715/835, 863, 865, 810; 68/139, 20  
See application file for complete search history.

(56) **References Cited**

**U.S. PATENT DOCUMENTS**

|           |      |        |                    |            |
|-----------|------|--------|--------------------|------------|
| 5,784,056 | A *  | 7/1998 | Nielsen            | 715/856    |
| 5,880,733 | A *  | 3/1999 | Horvitz et al.     | 715/850    |
| D474,197  | S *  | 5/2003 | Nguyen             | D14/486    |
| D550,227  | S *  | 9/2007 | Sato et al.        | D14/485    |
| D567,249  | S *  | 4/2008 | Gunn et al.        | D14/485    |
| 7,363,591 | B2 * | 4/2008 | Goldthwaite et al. | 715/763    |
| D588,148  | S *  | 3/2009 | Stone et al.       | D14/485    |
| D607,893  | S *  | 1/2010 | Kanga et al.       | D14/485    |
| D613,301  | S *  | 4/2010 | Lee et al.         | D14/489    |
| 7,701,500 | B2 * | 4/2010 | Aizawa et al.      | 348/333.01 |

|           |      |         |                   |         |
|-----------|------|---------|-------------------|---------|
| D619,146  | S *  | 7/2010  | Flik et al.       | D14/493 |
| D621,849  | S *  | 8/2010  | Anzures et al.    | D14/488 |
| D626,131  | S *  | 10/2010 | Kruzeniski et al. | D14/485 |
| D627,360  | S *  | 11/2010 | Aarseth           | D14/485 |
| D631,060  | S *  | 1/2011  | Flik et al.       | D14/486 |
| 7,903,115 | B2 * | 3/2011  | Platzer et al.    | 345/473 |
| 8,006,198 | B2 * | 8/2011  | Okuma et al.      | 715/810 |
| D644,662  | S *  | 9/2011  | Gardner et al.    | D14/495 |
| D647,914  | S *  | 11/2011 | Brouwers et al.   | D14/486 |
| D649,973  | S *  | 12/2011 | Matas             | D14/486 |
| D650,793  | S *  | 12/2011 | Impas et al.      | D14/489 |
| D655,719  | S *  | 3/2012  | Zaman et al.      | D14/486 |
| D658,674  | S *  | 5/2012  | Shallcross et al. | D14/488 |

(Continued)

*Primary Examiner* — Kevin Rudzinski

(74) *Attorney, Agent, or Firm* — Jianq Chyun IP Office

(57) **CLAIM**

The ornamental design for a display screen with graphical user interface, as shown and described.

**DESCRIPTION**

FIG. 1 is a front view of the first image of a display screen with graphical user interface showing our new design.

FIG. 2 is a front view of a second image thereof.

FIG. 3 is a front view of a third image thereof.

FIG. 4 is a front view of a fourth image thereof.

FIG. 5 is a front view of a fifth image thereof.

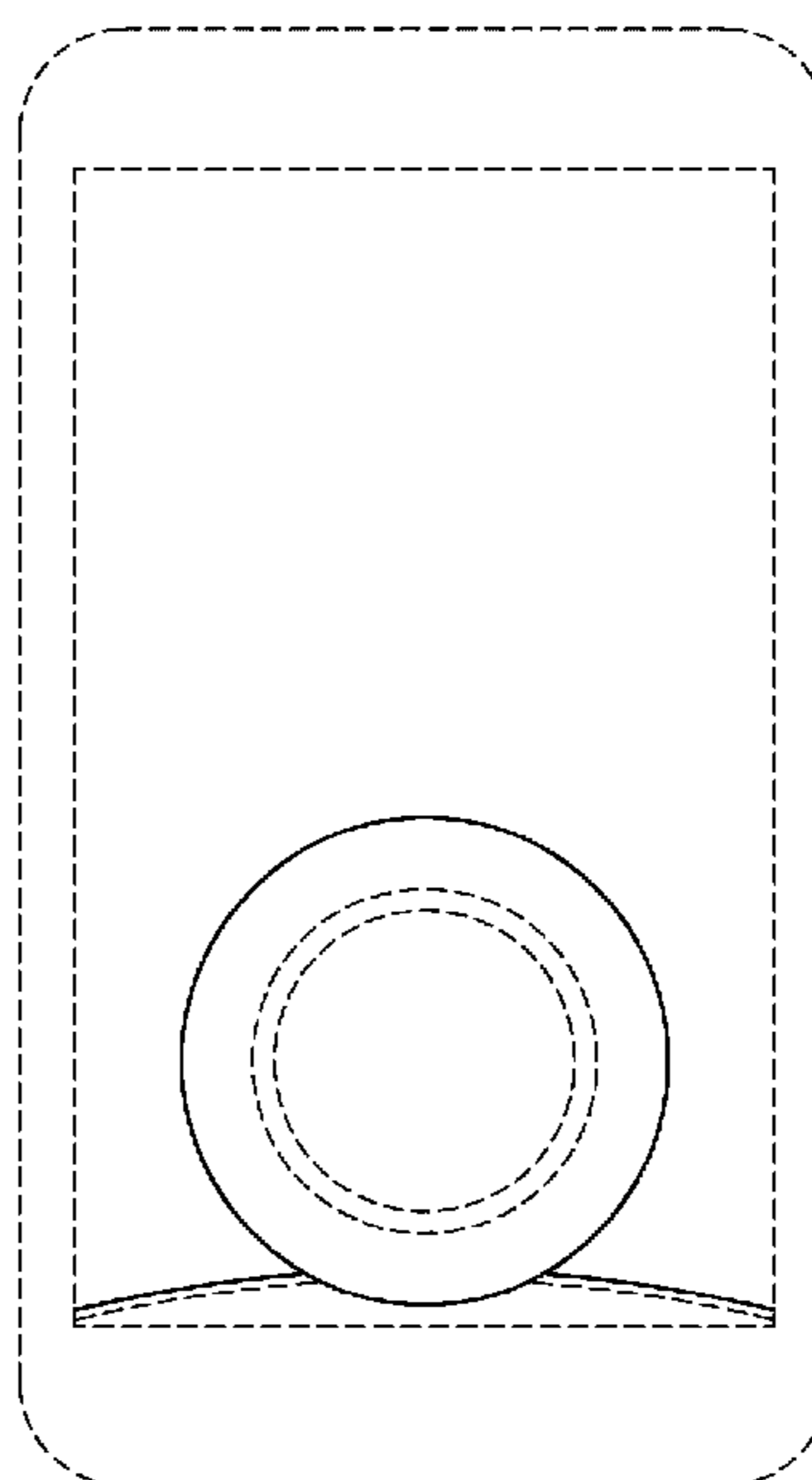
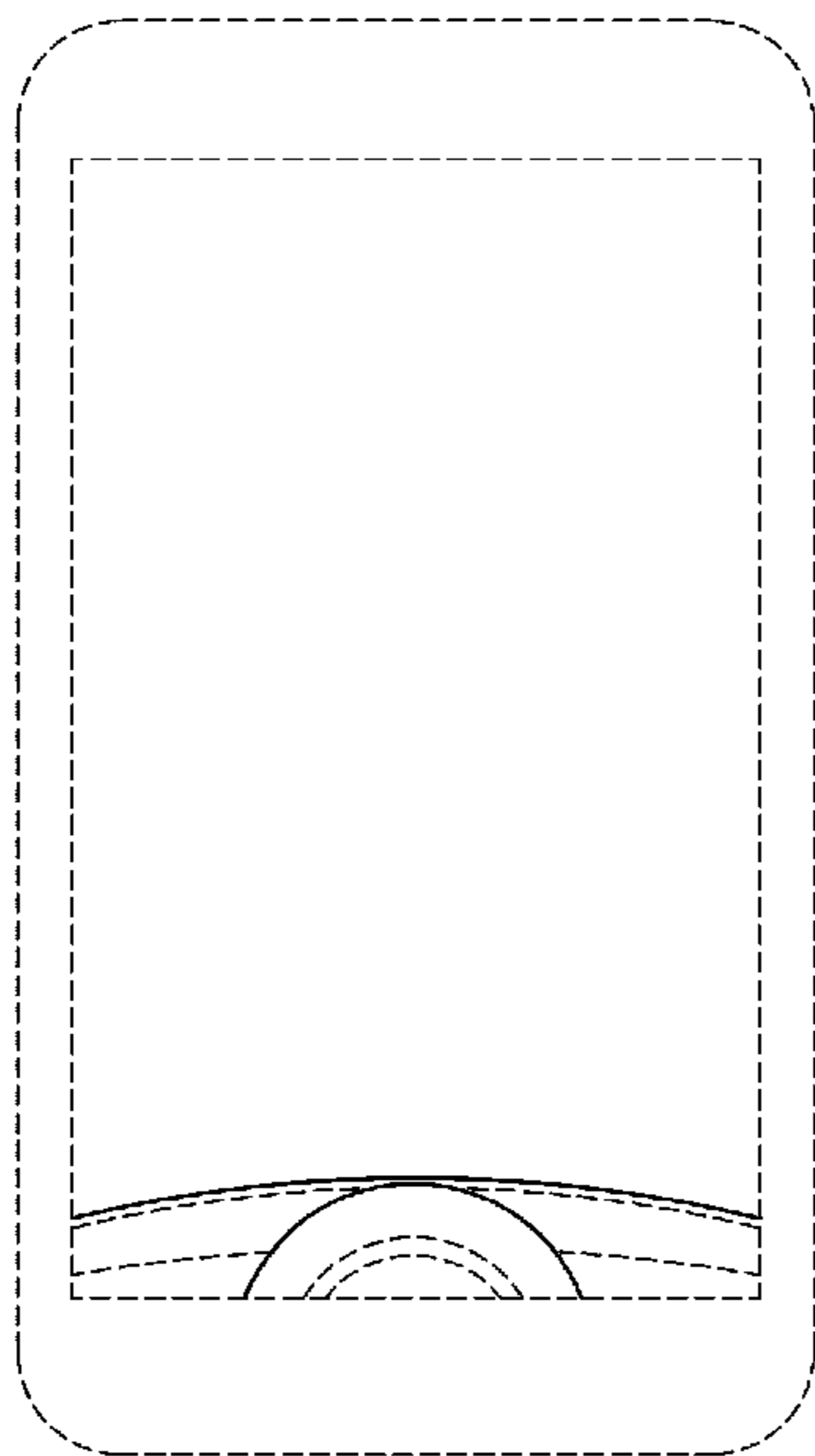
FIG. 6 is a front view of a sixth image thereof; and,

FIG. 7 is a front view of a seventh image thereof.

The broken line showing of the display screen illustrates unclaimed environment and forms no part of the claimed design.

The appearance of the transitional image sequentially transitions between the images shown in FIGS. 1-7. The process or period in which one image transitions to another image forms no part of the claimed design.

**1 Claim, 7 Drawing Sheets**



(56)

**References Cited**

U.S. PATENT DOCUMENTS

D664,972 S \* 8/2012 Gleasman et al. .... D14/486  
8,239,784 B2 \* 8/2012 Hotelling et al. .... 715/830  
D667,423 S \* 9/2012 Nagamine ..... D14/488  
D669,497 S \* 10/2012 Lee et al. .... D14/489  
D673,172 S \* 12/2012 Peters et al. .... D14/487

8,381,135 B2 \* 2/2013 Hotelling et al. .... 715/863  
2005/0081164 A1 \* 4/2005 Hama et al. .... 715/830  
2006/0053389 A1 \* 3/2006 Michelman ..... 715/775  
2008/0022228 A1 \* 1/2008 Kwon et al. .... 715/838  
2008/0168395 A1 \* 7/2008 Ording et al. .... 715/833  
2008/0231610 A1 \* 9/2008 Hotelling et al. .... 345/173  
2010/0175022 A1 \* 7/2010 Diehl et al. .... 715/784

\* cited by examiner

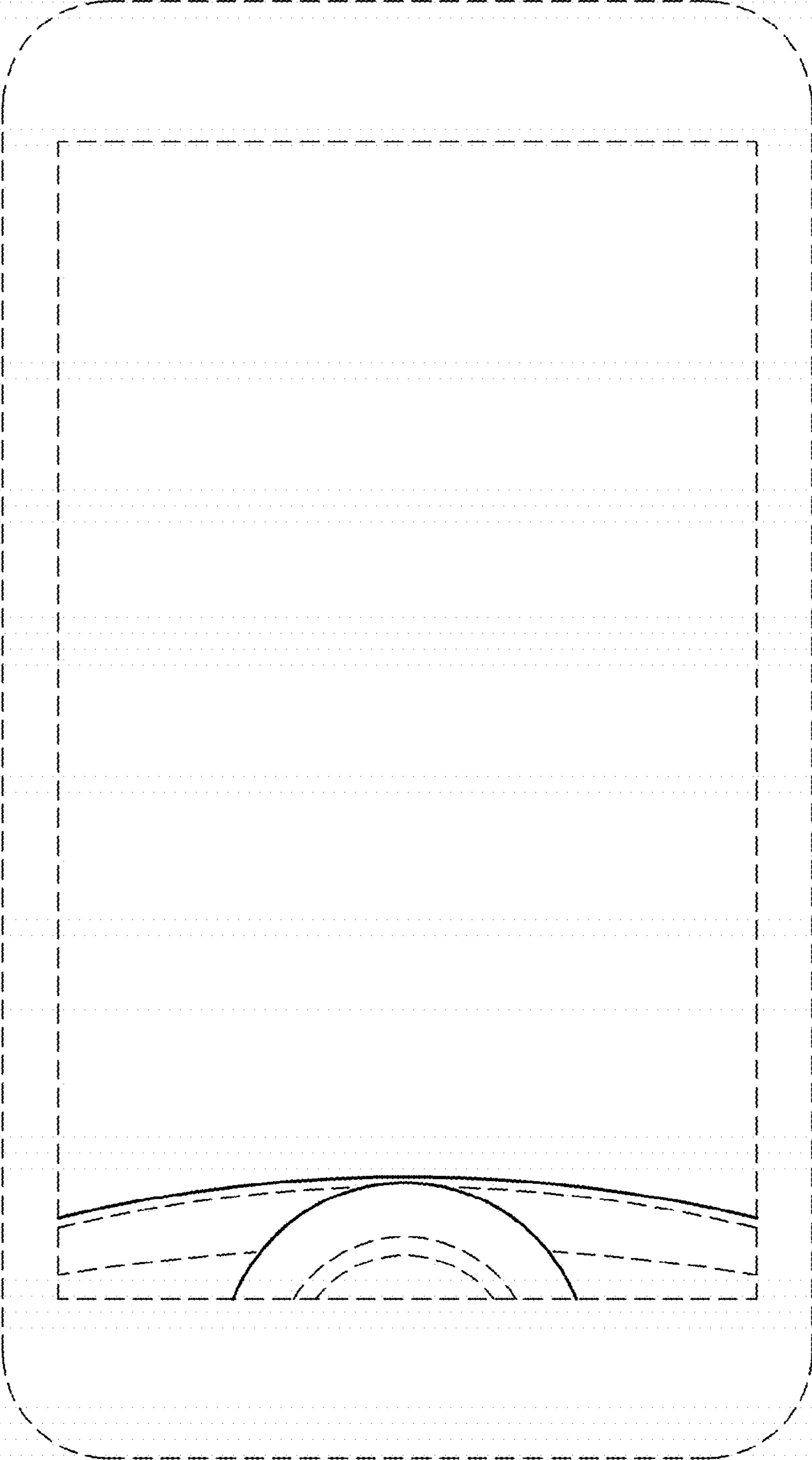


FIG. 1

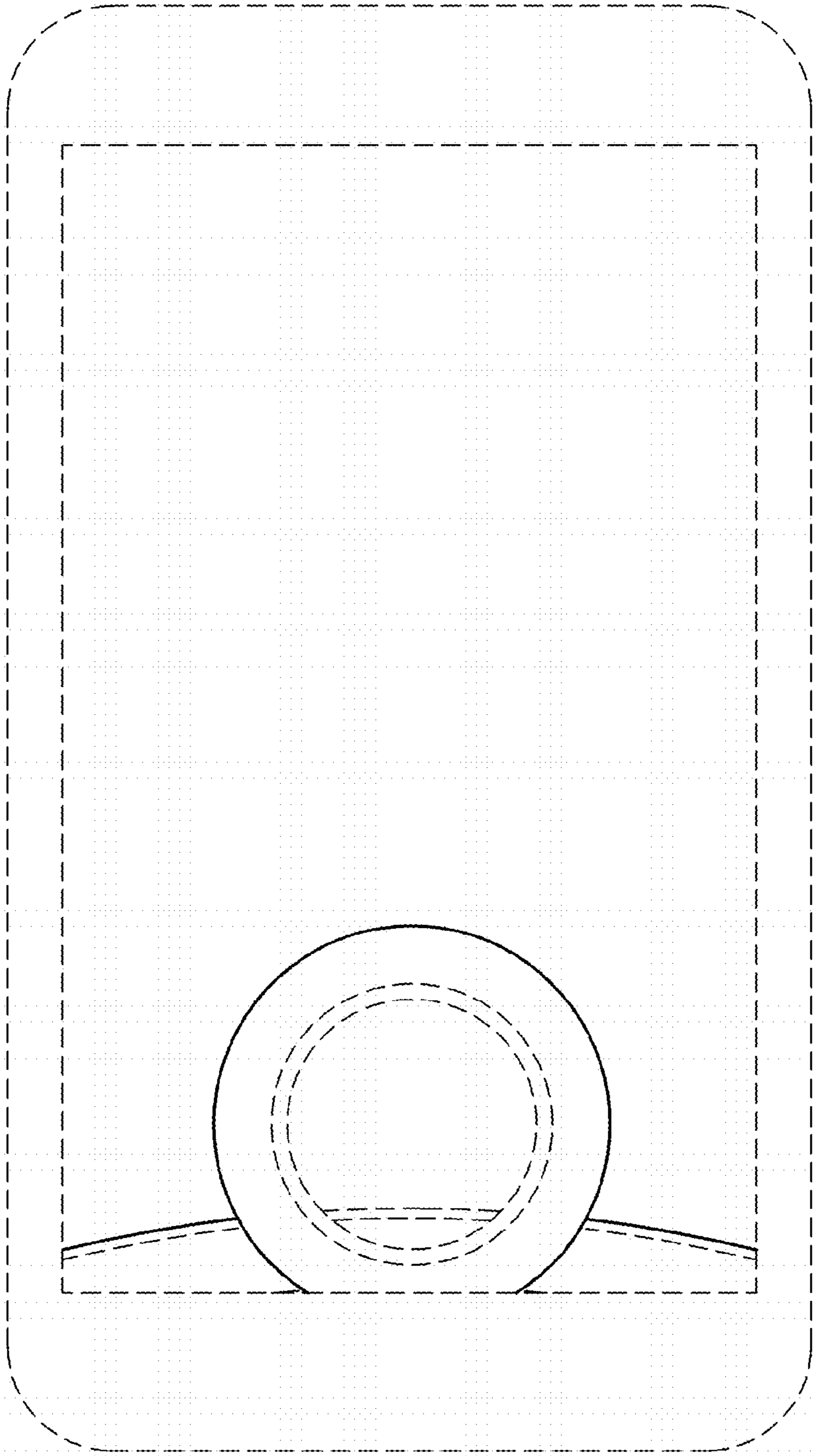


FIG. 2

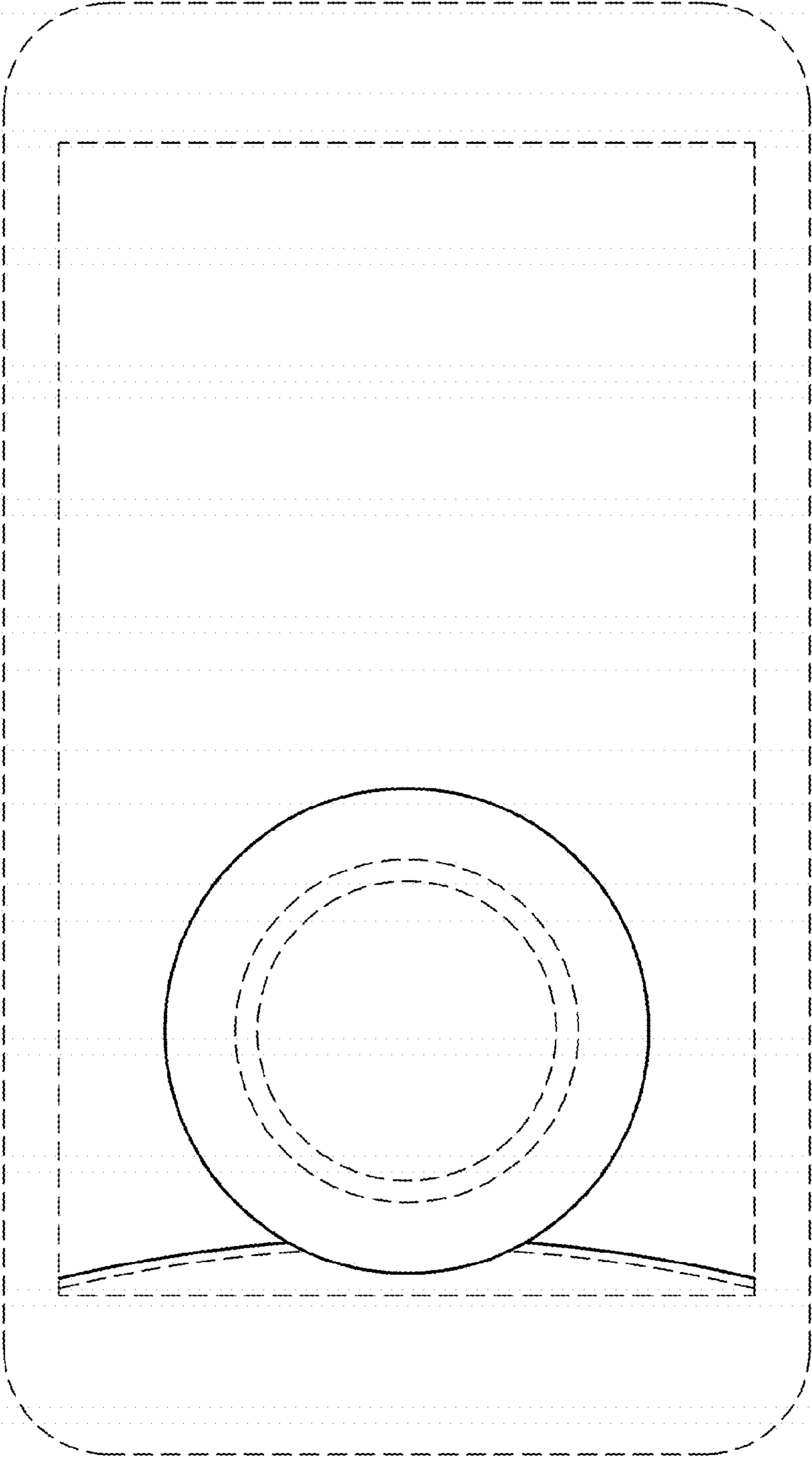


FIG. 3

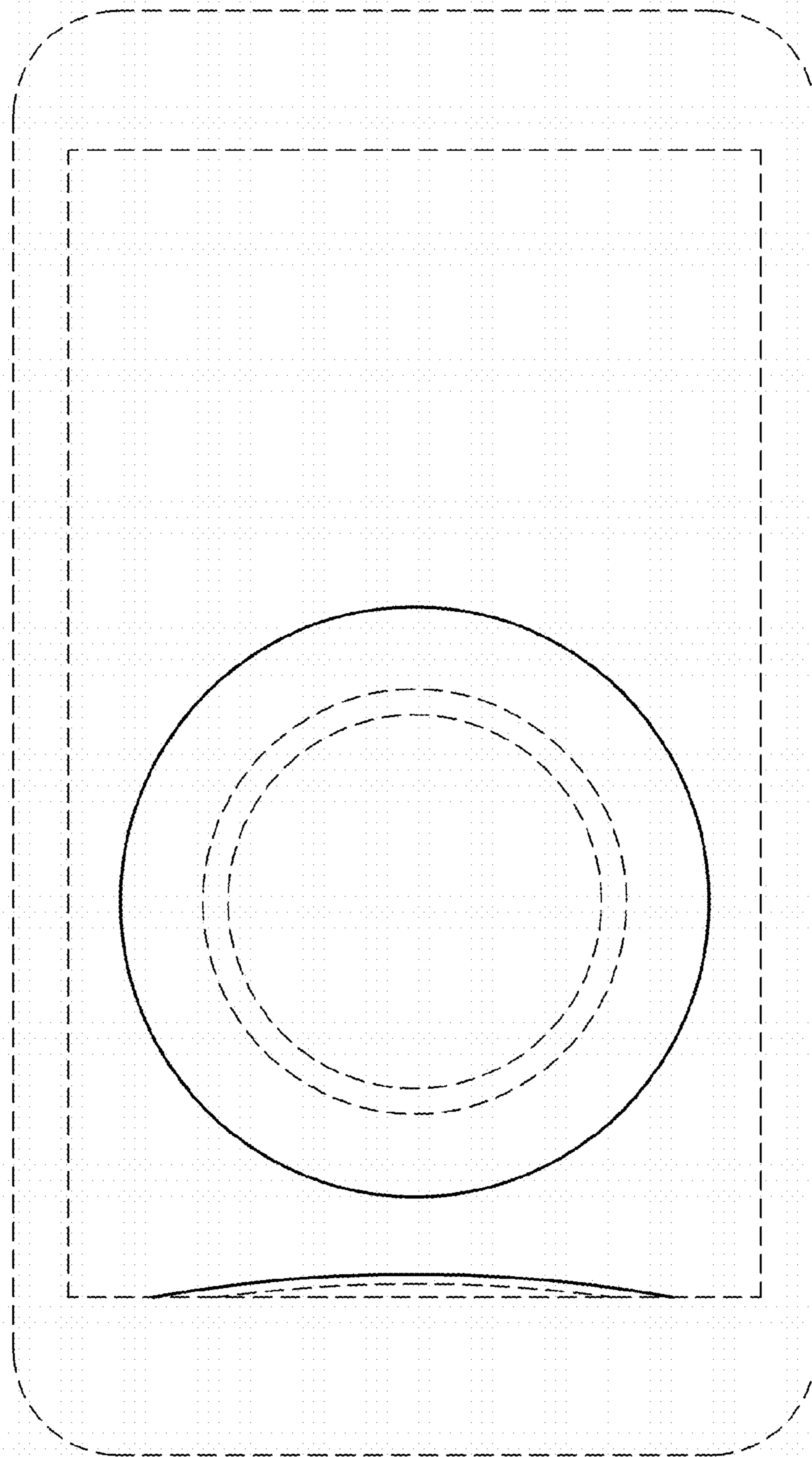


FIG. 4

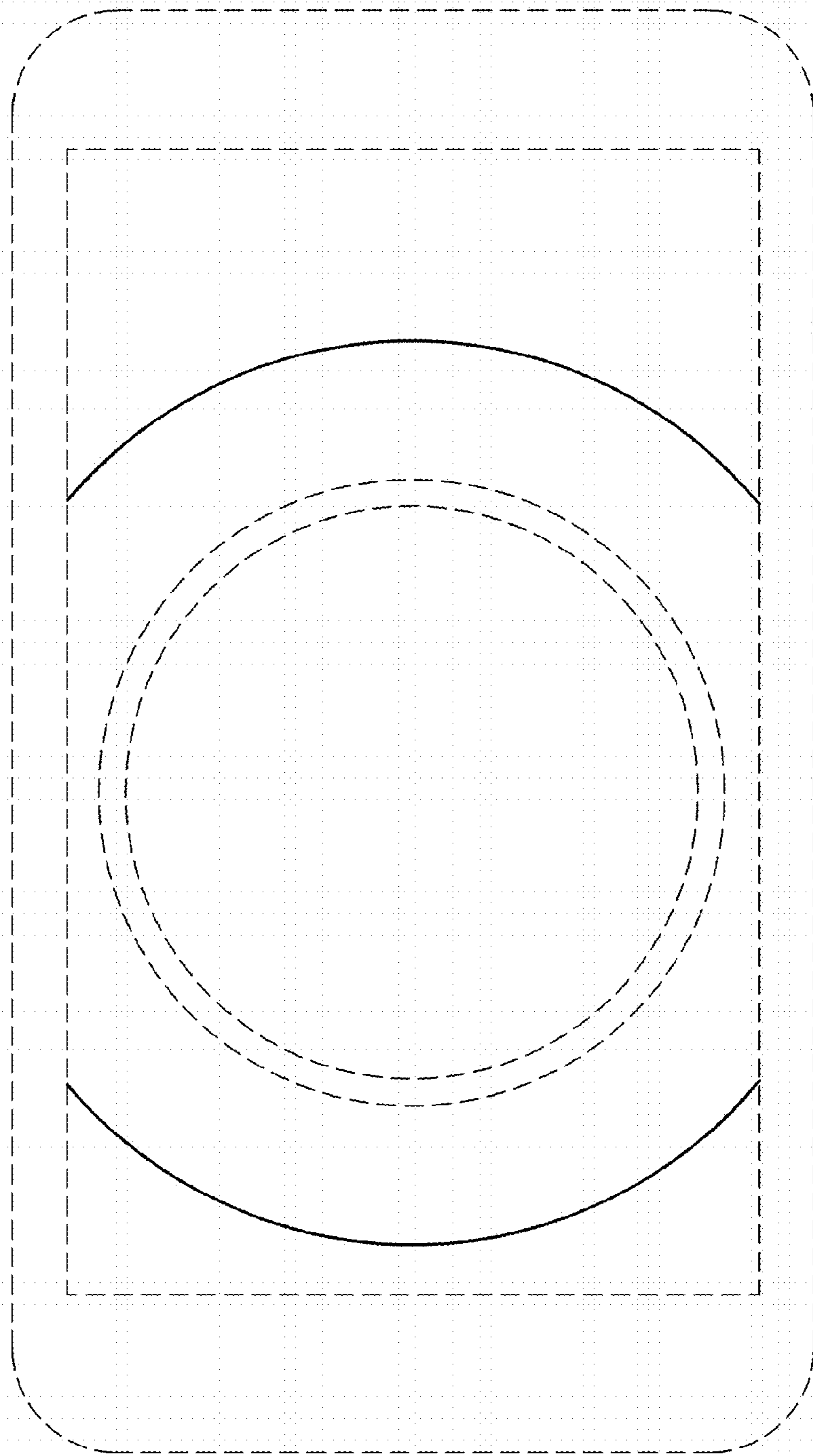


FIG. 5

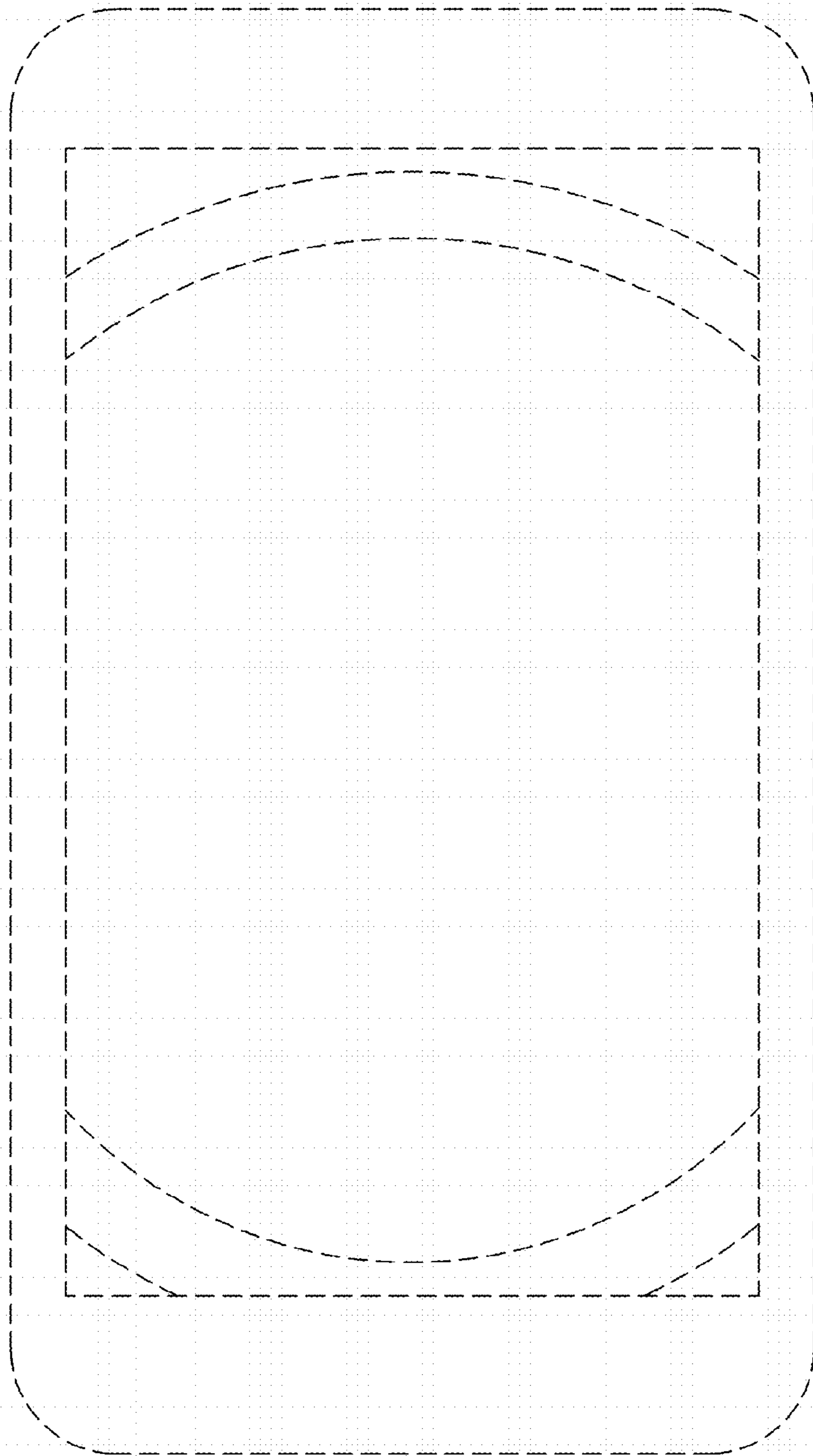


FIG. 6



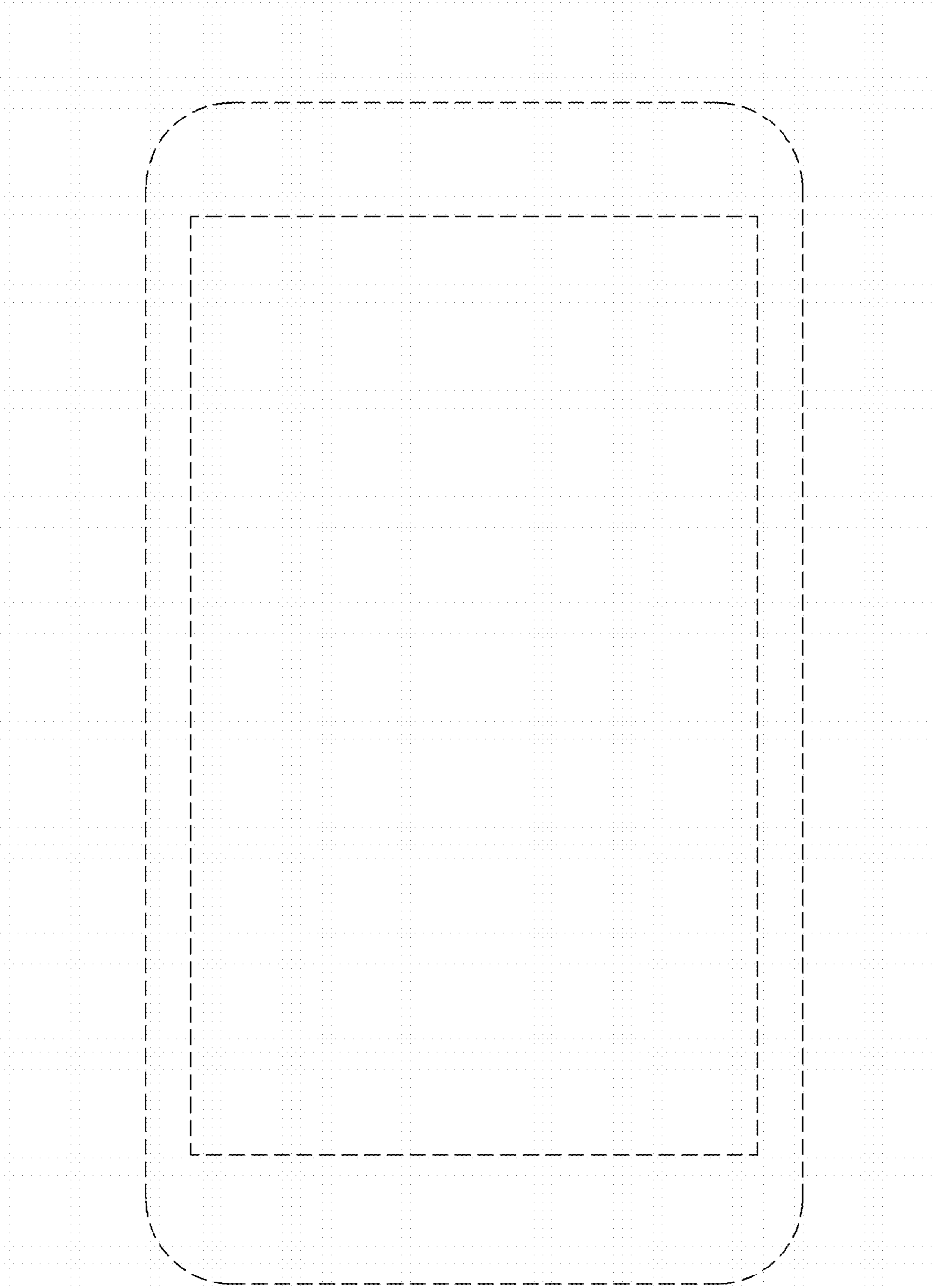


FIG. 7