



US00D691153S

(12) **United States Design Patent**  
**Benois**

(10) **Patent No.:** **US D691,153 S**

(45) **Date of Patent:** **\*\* Oct. 8, 2013**

(54) **FLASH DRIVE**

(75) Inventor: **Laurent Benois**, Carrières sur Seine (FR)

(73) Assignee: **Linkeet**, Paris (FR)

(\*\*) Term: **14 Years**

(21) Appl. No.: **29/411,180**

(22) Filed: **Jan. 18, 2012**

(30) **Foreign Application Priority Data**

Nov. 22, 2011 (EM) ..... 001951096-0002

(51) **LOC (9) Cl.** ..... **14-02**

(52) **U.S. Cl.**  
USPC ..... **D14/480.7**; D14/436

(58) **Field of Classification Search**  
USPC ..... D14/411, 433, 435, 435.1, 436–438, D14/480.1–480.7, 484.1, 137, 155, 203.1–203.8, D14/240; D13/133, 146–147, 154; 710/300, 710/301; 439/131, 135–147; 361/679.31, 361/679.33, 679.4, 752; 711/100, 115  
See application file for complete search history.

(56) **References Cited**

**U.S. PATENT DOCUMENTS**

D427,167	S	*	6/2000	Iwasaki	.....	D14/436
D442,598	S	*	5/2001	Wallace et al.	.....	D14/436
D452,244	S	*	12/2001	Wallace et al.	.....	D14/436
D452,245	S	*	12/2001	Wallace et al.	.....	D14/436
D452,246	S	*	12/2001	Wallace et al.	.....	D14/436
D457,887	S	*	5/2002	Kadonaga	.....	D14/436
D526,651	S	*	8/2006	Hoogerdijk	.....	D14/436
D545,166	S	*	6/2007	Laaper	.....	D8/105
7,264,172	B2	*	9/2007	Amiot et al.	.....	235/486
D553,130	S	*	10/2007	Fiorentino	.....	D14/436
D558,199	S	*	12/2007	Fiorentino	.....	D14/436
7,306,160	B2	*	12/2007	Takiar et al.	.....	235/492
D564,904	S	*	3/2008	Leung	.....	D10/31
7,344,072	B2	*	3/2008	Gonzalez et al.	.....	235/441
D590,400	S	*	4/2009	Hoogerdijk	.....	D14/436
7,537,169	B2	*	5/2009	Gonzalez et al.	.....	235/492
D647,530	S	*	10/2011	Busch	.....	D14/480.3

D656,147	S	*	3/2012	Schlossstein	.....	D14/480.6
D659,149	S	*	5/2012	Andre	.....	D14/480.6
D659,150	S	*	5/2012	Andre	.....	D14/480.7
2012/0008268	A1	*	1/2012	Jiang et al.	.....	361/679.4

**OTHER PUBLICATIONS**

OCZ Technology | Products | Flash Media | OCZ Ultra-Slim, Large-Capacity Mega-Kart USB 2.0 Flash Card, Web Archive [online] Oct. 4, 2006 [retrieved on Jul. 6, 2007]. Retrieved from the Internet <URL: [http://web.archive.org/web/20061004132947/http://www.ocz.com/cz\\_ultra\\_slim-large\\_capacity\\_mega\\_kart\\_usb\\_2\\_0\\_flash\\_card](http://web.archive.org/web/20061004132947/http://www.ocz.com/cz_ultra_slim-large_capacity_mega_kart_usb_2_0_flash_card)>.\*

USB Stick in Credit Card Size at Random Good Stuff—The Entertainment Blog, Web Archive [online] Mar. 17, 2007 [retrieved on Jul. 11, 2007]. Retrieved from the Internet <URL: <http://web.archive.org/web/20070317025112/http://www.random-good-stuff.com/index.php/2006/02/07/usb-stick-in-credit-card-size/>>.\*

\* cited by examiner

*Primary Examiner* — Karen E Kearney

(74) *Attorney, Agent, or Firm* — Jordan IP Law, LLC; Todd A. Vaughn

(57) **CLAIM**

The ornamental design for a flash drive, as shown and described.

**DESCRIPTION**

FIG. 1 is a top, front perspective view of a flash drive in an inserted position.

FIG. 2 is a top, front perspective view of a flash drive in an extracted position.

FIG. 3 is an enlarged, top, rear perspective view of a flash drive in an inserted position.

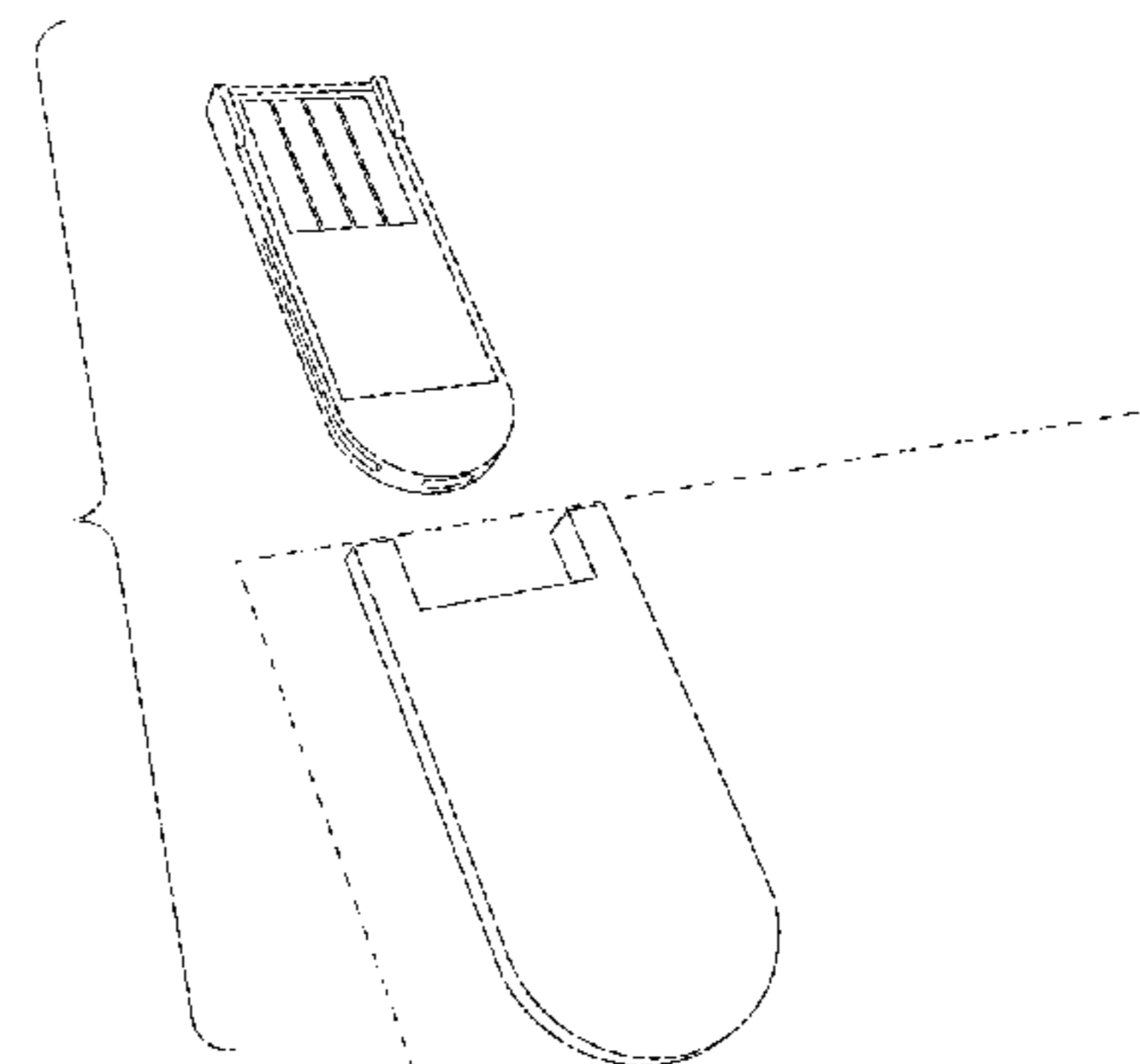
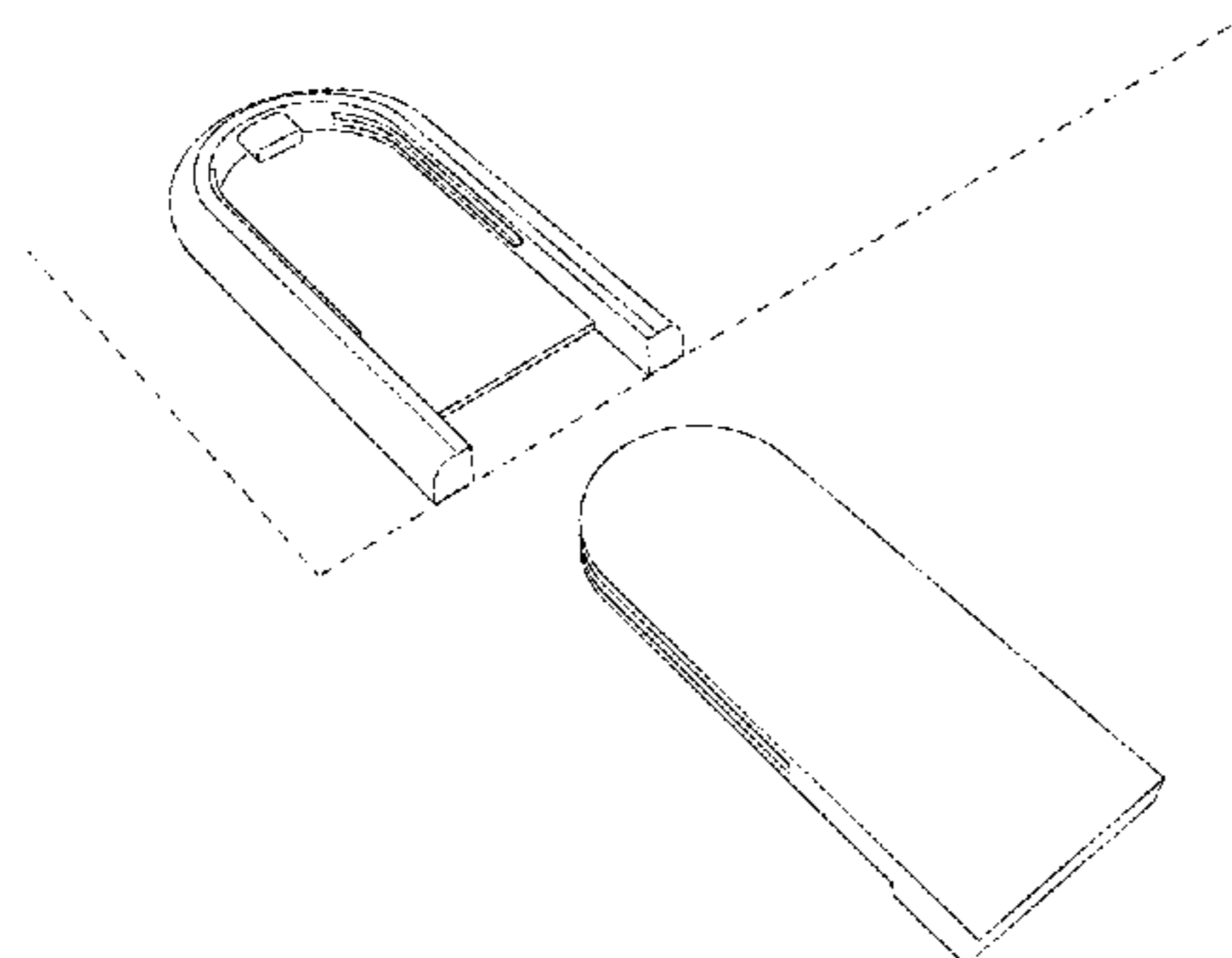
FIG. 4 is an enlarged, top, rear perspective view of a flash drive in an extracted position.

FIG. 5 is an enlarged, bottom, front perspective view of a flash drive in an inserted position; and,

FIG. 6 is an enlarged, bottom, front perspective view of a flash drive in an extracted position.

The broken line showing is included for the purpose of illustrating environmental structure and forms no part of the claimed design.

**1 Claim, 3 Drawing Sheets**



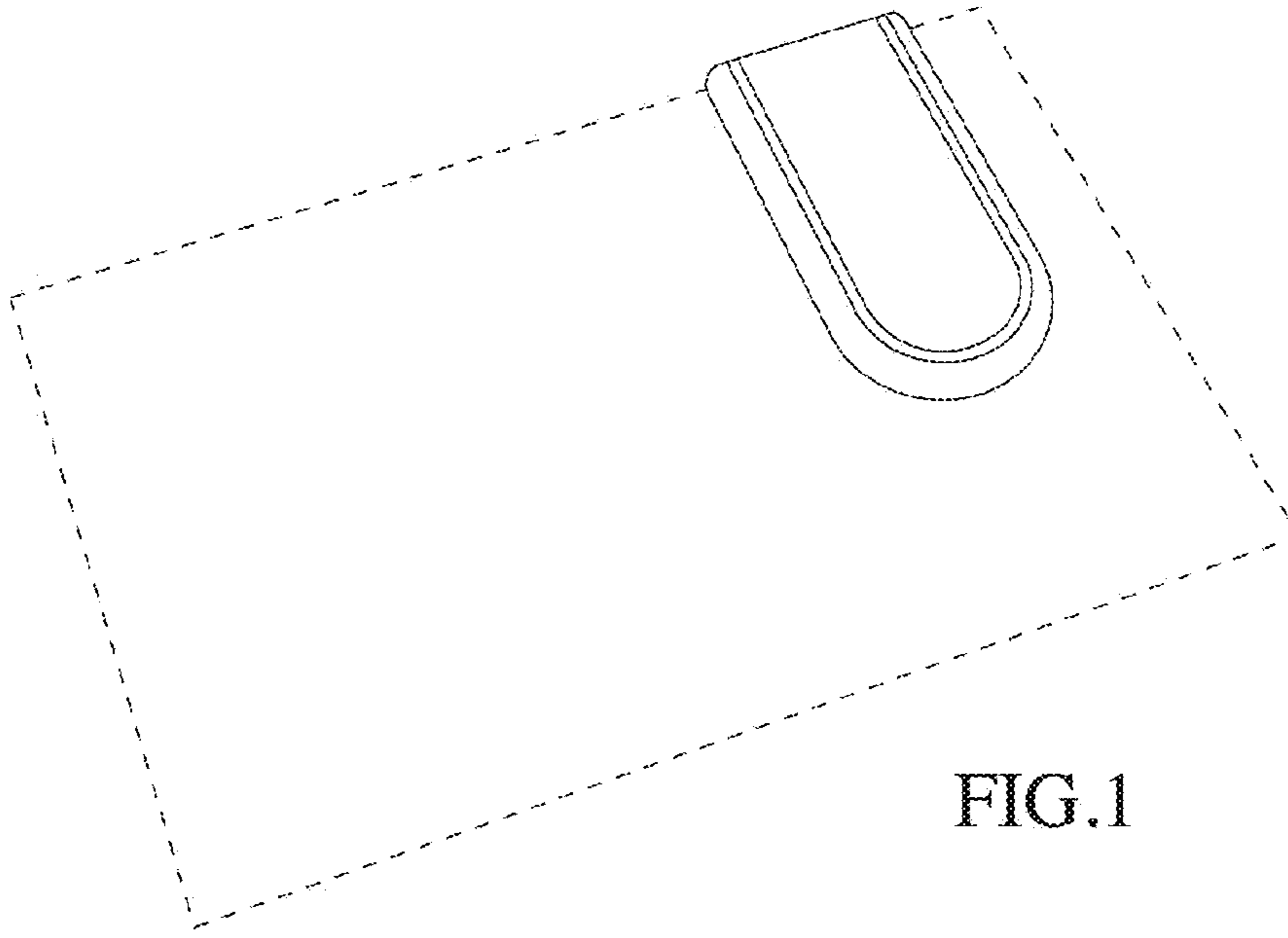


FIG. 1

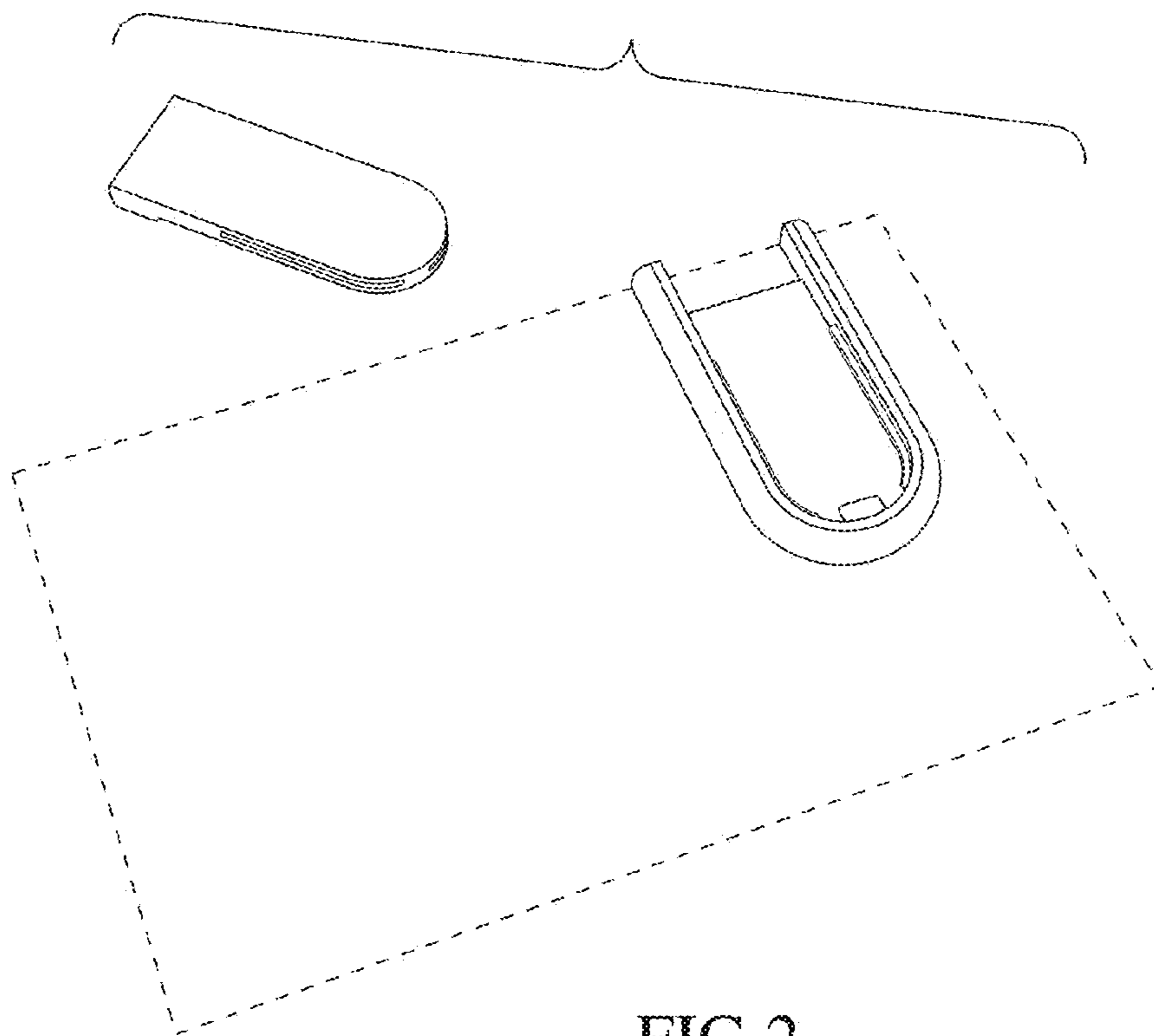


FIG. 2

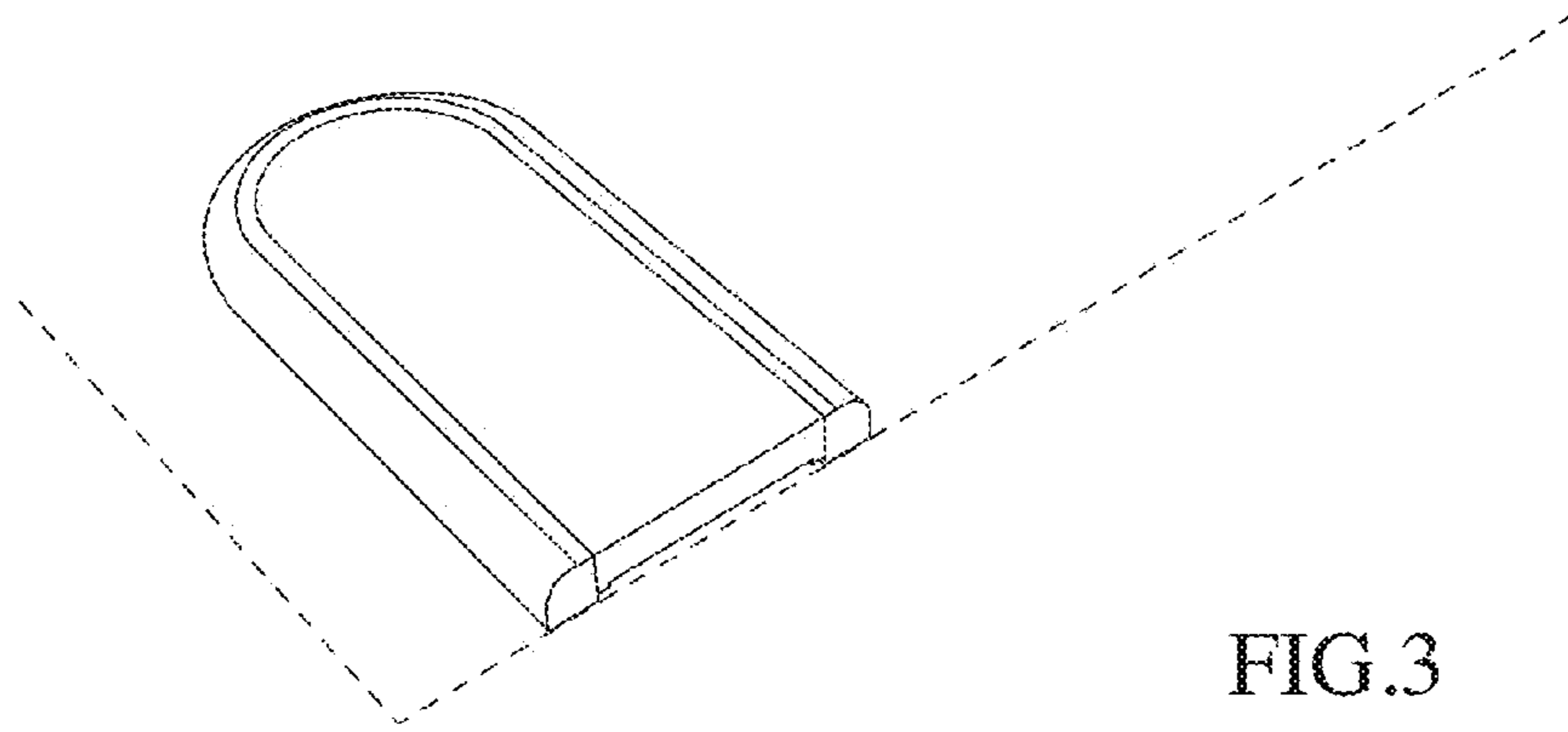


FIG.3

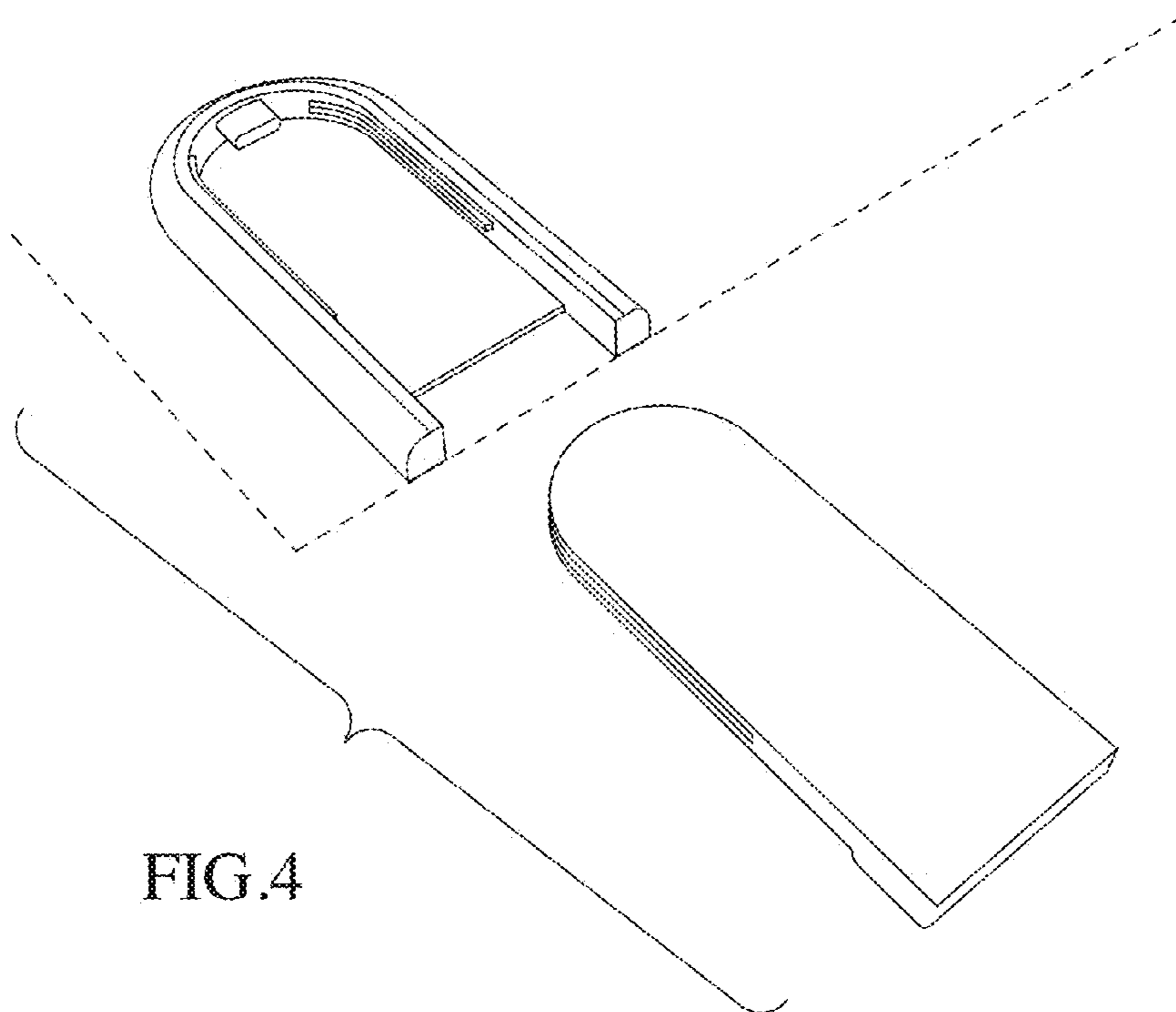


FIG.4

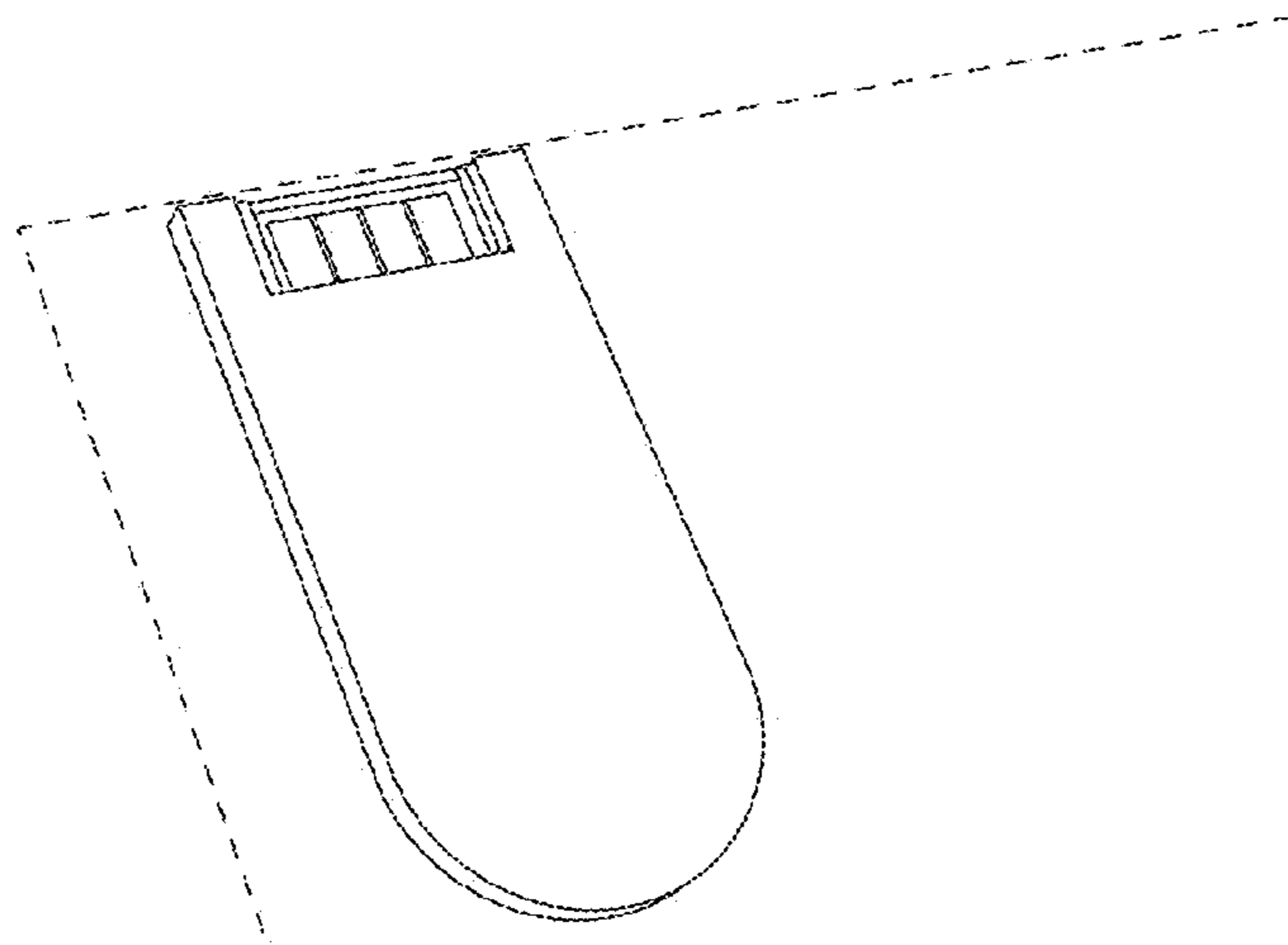


FIG. 5

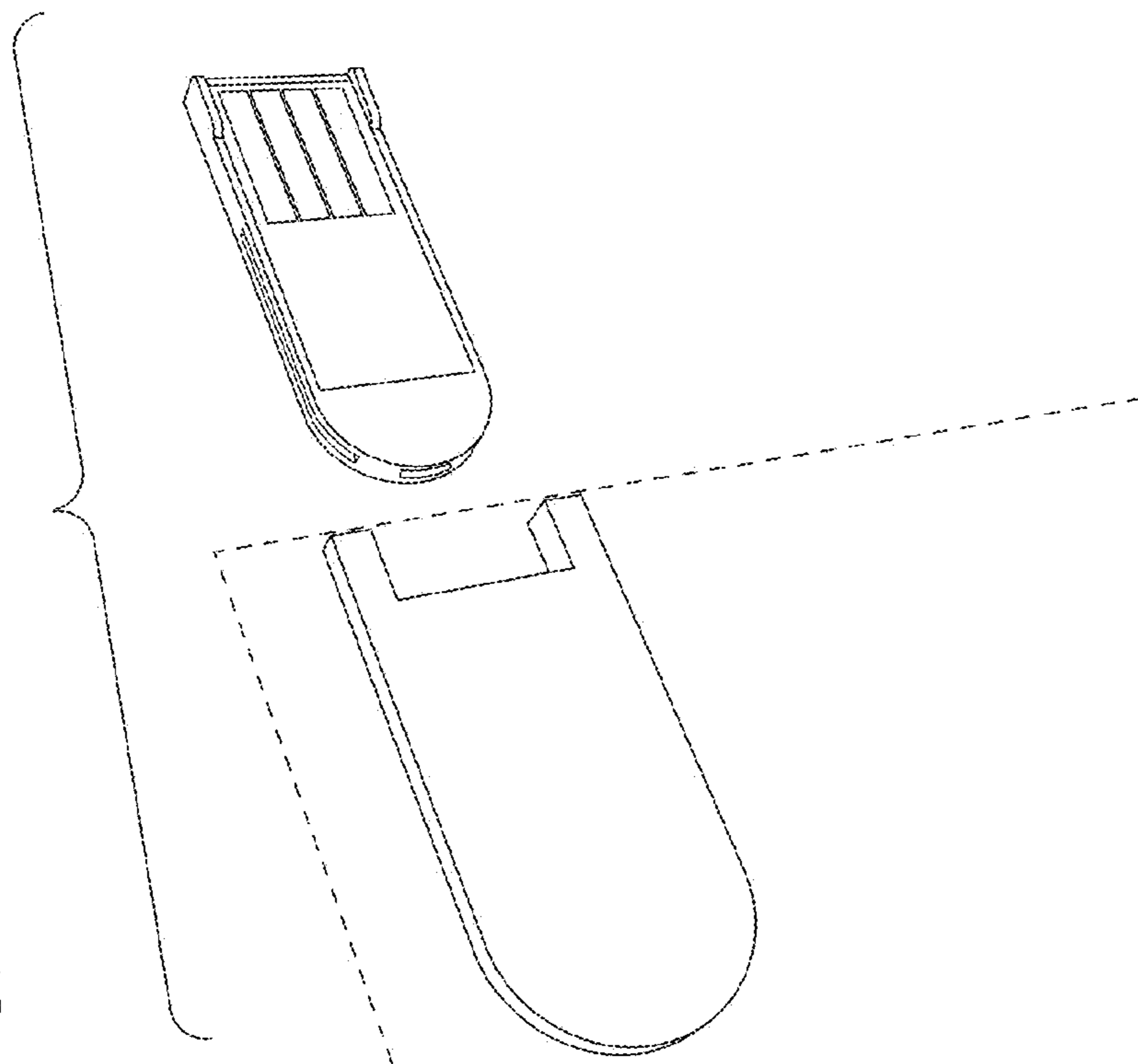


FIG. 6