

US00D691152S

(12) **United States Design Patent**
Meisel et al.

(10) **Patent No.:** **US D691,152 S**

(45) **Date of Patent:** **** Oct. 8, 2013**

(54) **USB CARD READER**

(75) Inventors: **Uwe Meisel**, Rödermark (DE); **Karsten Kuber**, Offernoch am Mein (DE)

(73) Assignee: **KOBIL Systems GmbH**, Worms (DE)

(**) Term: **14 Years**

(21) Appl. No.: **29/421,966**

(22) Filed: **Aug. 20, 2012**

(30) **Foreign Application Priority Data**

Mar. 6, 2012 (EM) 002003723-0001
Mar. 6, 2012 (EM) 002003723-0002

(51) **LOC (9) Cl.** **14-02**

(52) **U.S. Cl.**
USPC **D14/480.3**; D14/385

(58) **Field of Classification Search**
USPC D14/385, 411, 433, 435.1, 436, 480.1–480.7,
D14/484.1, 137, 155, 203.1–203.8, 240;
D13/133, 154; 361/679.31, 679.33, 679.4,
361/752; 439/131, 135–147; 710/300, 301;
711/100, 115; 235/380, 382, 441, 451, 492
See application file for complete search history.

(56) **References Cited**

U.S. PATENT DOCUMENTS

D468,090 S * 1/2003 Tirosh D14/480.5
6,676,419 B1 * 1/2004 Lin et al. 439/76.1
D491,143 S * 6/2004 Jiang D14/435.1
D500,484 S * 1/2005 Deguchi D14/480.1

(Continued)

OTHER PUBLICATIONS

iDtoken Overview, [online], [retrieved on Mar. 22, 2013]. Retrieved from the Internet <URL: <http://www.kobil.com/products/card-readers/id-token/overview.html>>.*

Kobil stellt neuen Basis-Kartenleser “iDtoken” für den Personalausweis vor | Die eID-Funktion (Blog), [online] Posted Mar.

2012 [retrieved on Mar. 22, 2013]. Retrieved from the Internet <URL: <http://blog.die-eid-funktion.de/2012/03/11/kobil-stellt-neuen-basis-kartenleser-idtoken-fur-den-personalausweis-vor/>>.*

Primary Examiner — Karen E Kearney

(74) *Attorney, Agent, or Firm* — Stetina Brunda Garred and Brucker

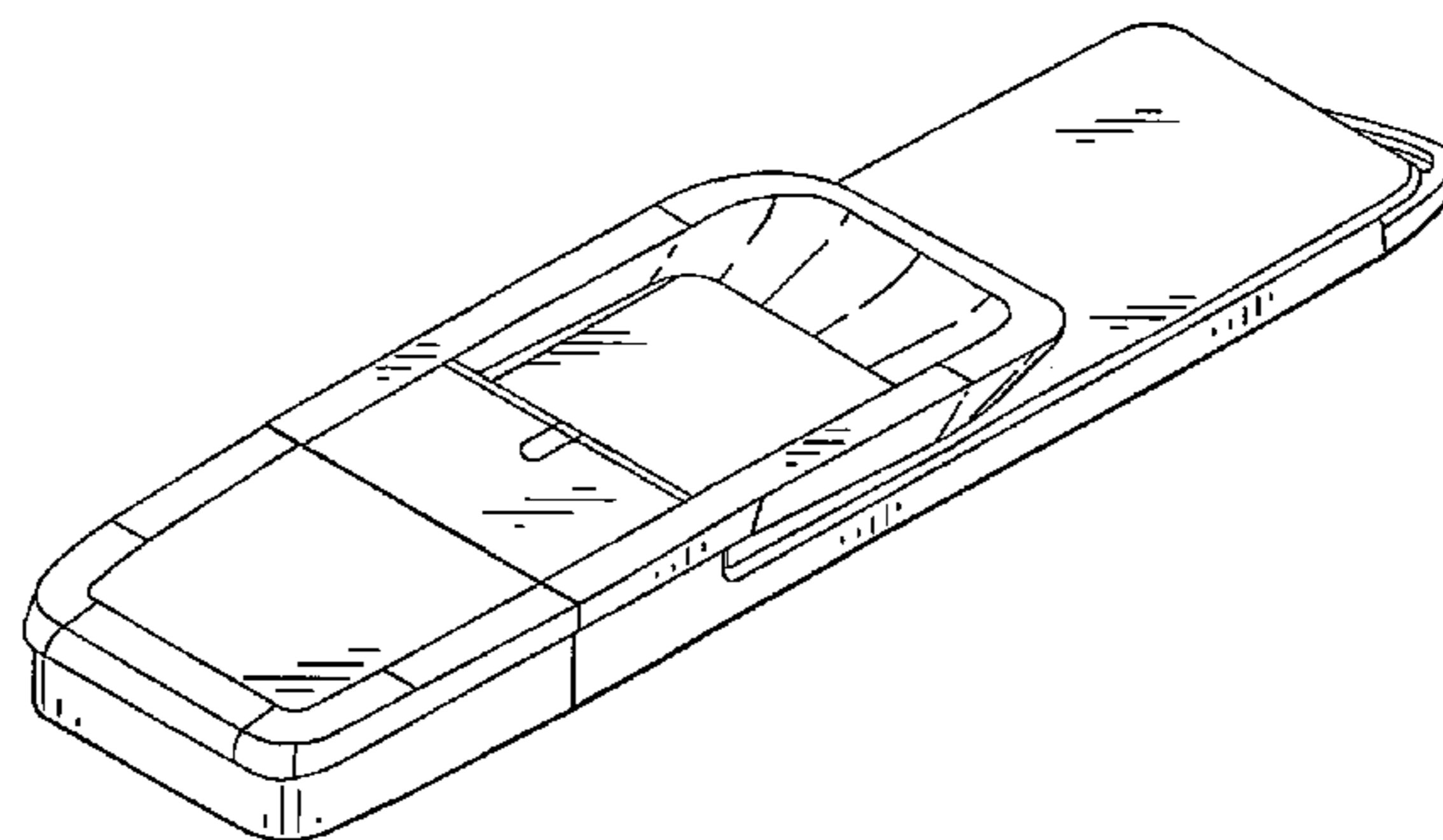
(57) **CLAIM**

The ornamental design for a USB card reader, as shown and described.

DESCRIPTION

FIG. 1 is side perspective view of a USB card reader showing our new design;
FIG. 2 is top view thereof;
FIG. 3 is a right side view thereof;
FIG. 4 is a rear view thereof;
FIG. 5 is a front view thereof;
FIG. 6 is a bottom view thereof;
FIG. 7 is a left side view thereof;
FIG. 8 is a side perspective view of the USB card reader showing our new design with an end cap removed exposing a USB connector;
FIG. 9 is top view of the USB card reader with an end cap removed;
FIG. 10 is a right side view of the USB card reader with an end cap removed;
FIG. 11 is a rear view of the USB card reader with an end cap removed;
FIG. 12 is a front view of the USB card reader;
FIG. 13 is a bottom view of the USB card reader with an end cap removed; and,
FIG. 14 is a left side view of the USB card reader with an end cap removed.
The broken line showings of the USB connector in FIGS. 8, 9, 10, 11, 13 and 14 are for the purpose of illustrating a portion of the USB card reader and form no part of the claimed design.

1 Claim, 4 Drawing Sheets



US D691,152 S

Page 2

(56)

References Cited

U.S. PATENT DOCUMENTS

D559,903 S * 1/2008 Schwab D19/9
D579,933 S * 11/2008 Deguchi D14/480.1
7,454,531 B2 * 11/2008 Shih 710/13
D601,569 S * 10/2009 Landry et al. D14/480.5

D615,985 S * 5/2010 Landry et al. D14/480.5
D617,331 S * 6/2010 Lo D14/480.7
D628,579 S * 12/2010 Landry et al. D14/480.5
D631,058 S * 1/2011 Chin et al. D14/480.7
2012/0135617 A1 * 5/2012 Tsuji et al. 439/136

* cited by examiner

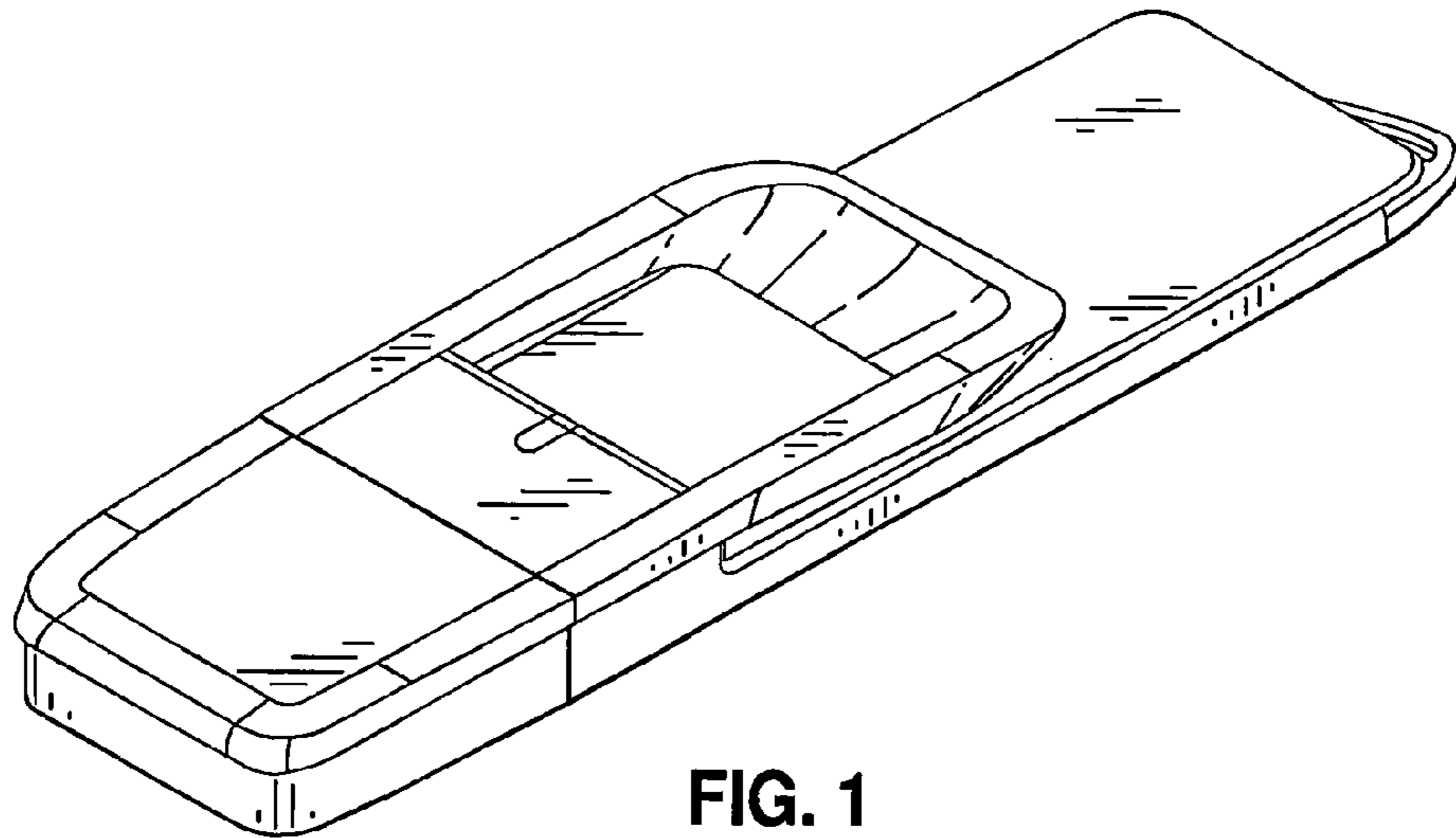


FIG. 1

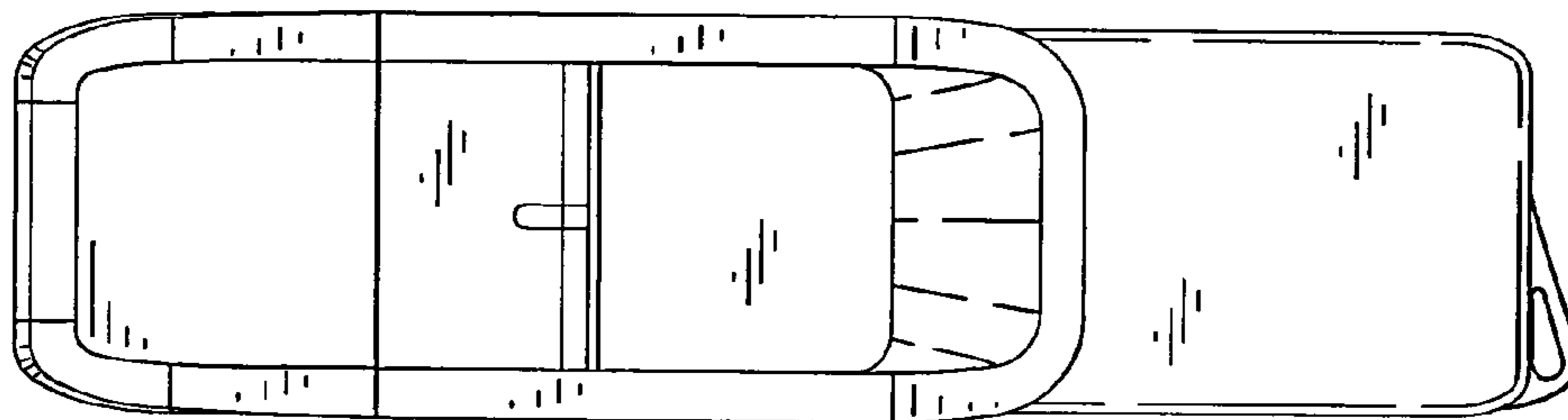


FIG. 2

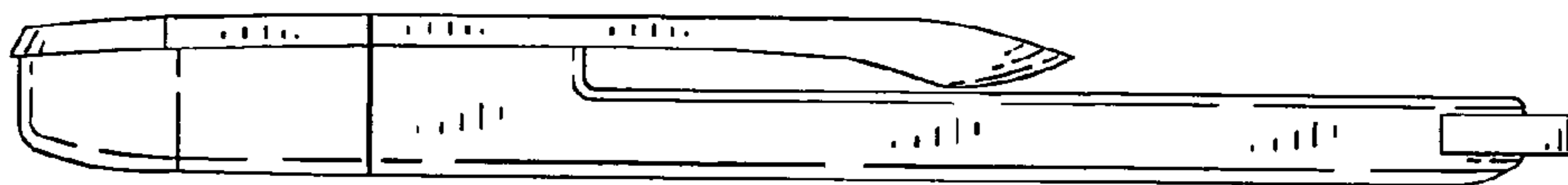


FIG. 3

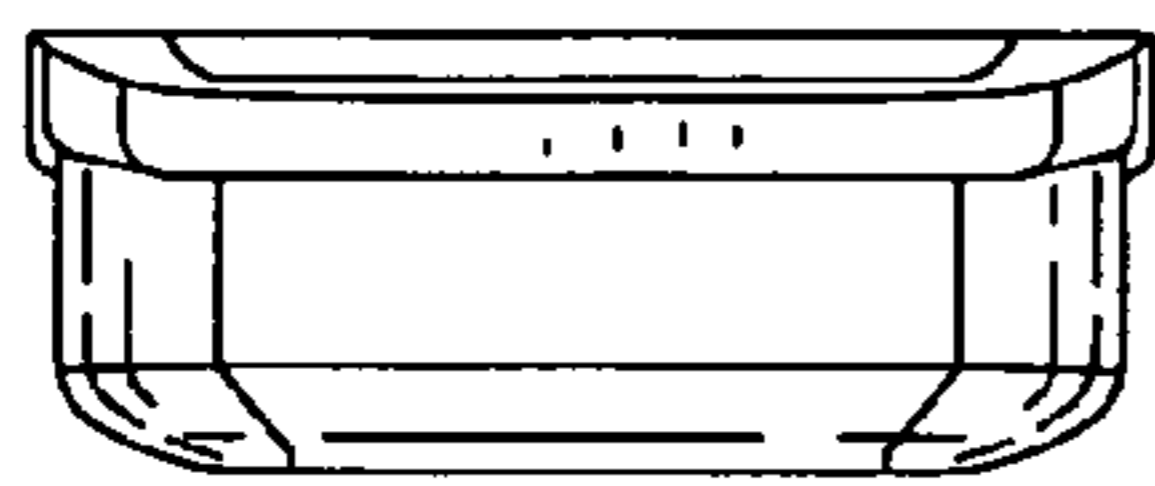


FIG. 4

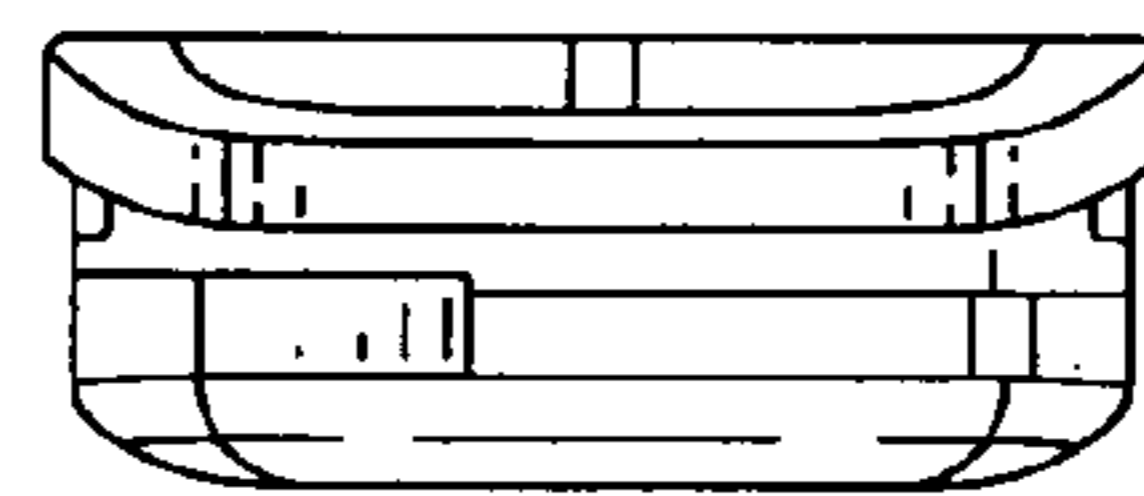


FIG. 5

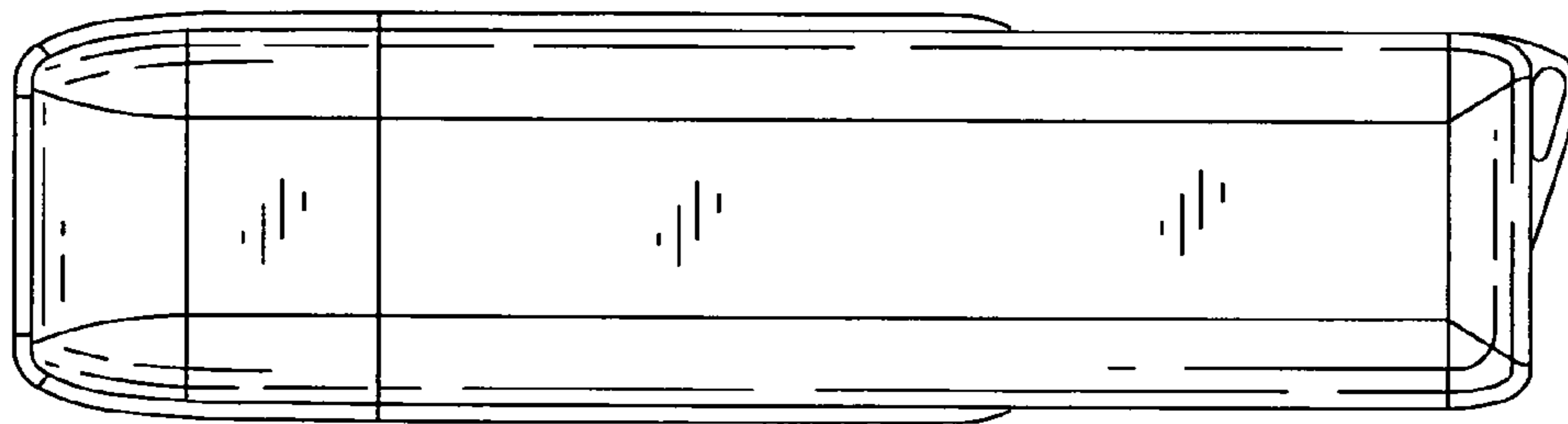


FIG. 6

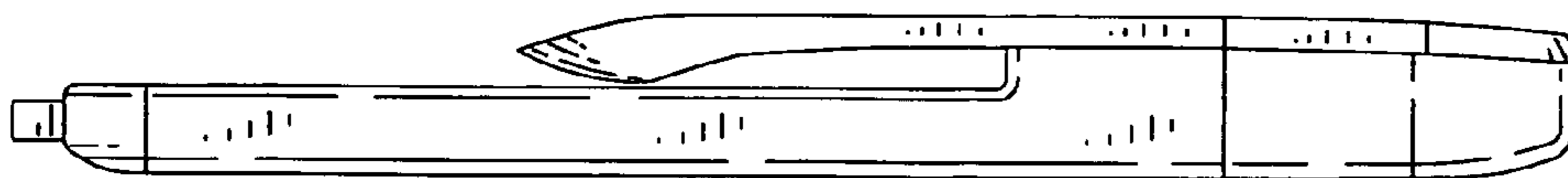


FIG. 7

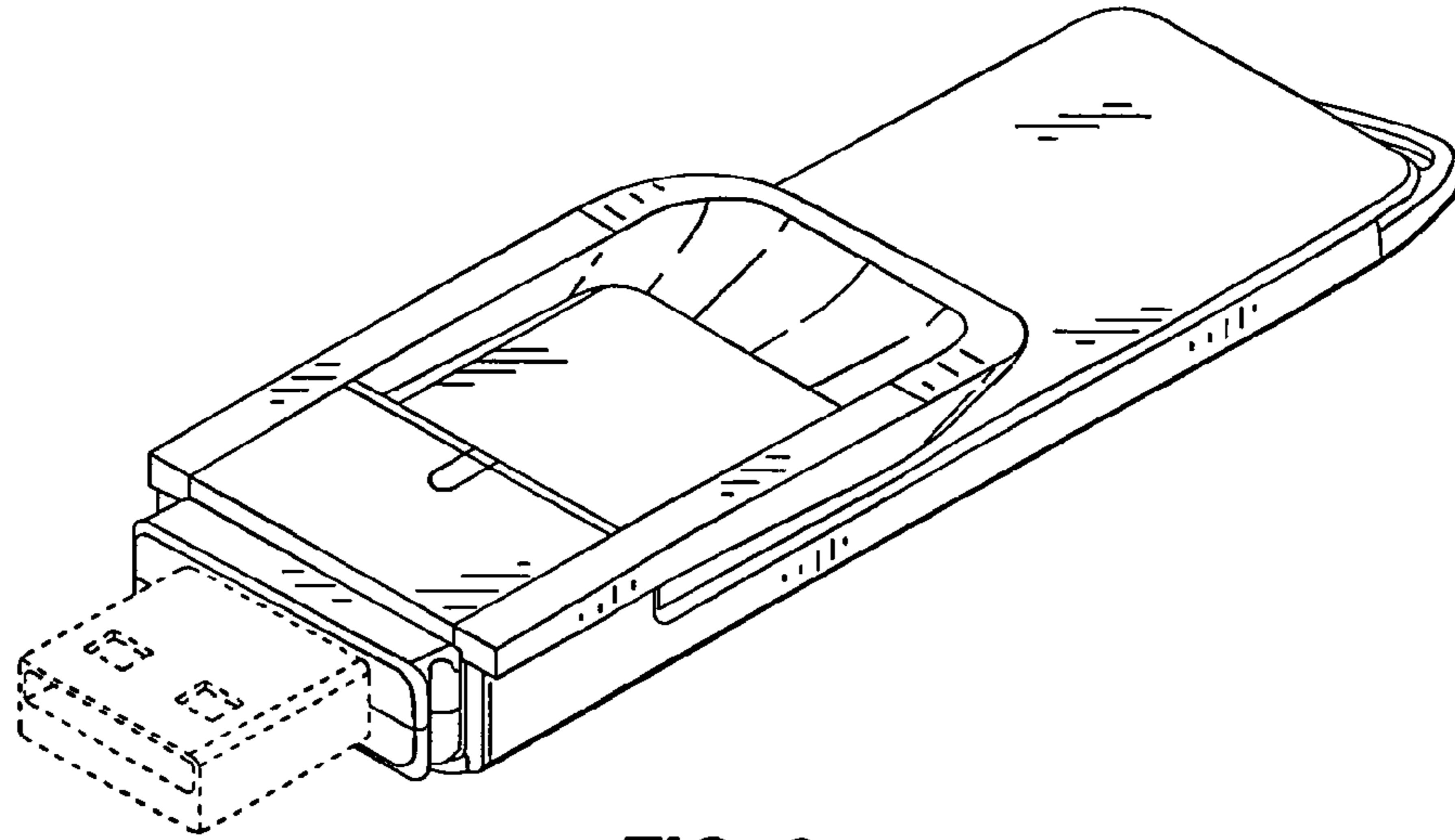


FIG. 8

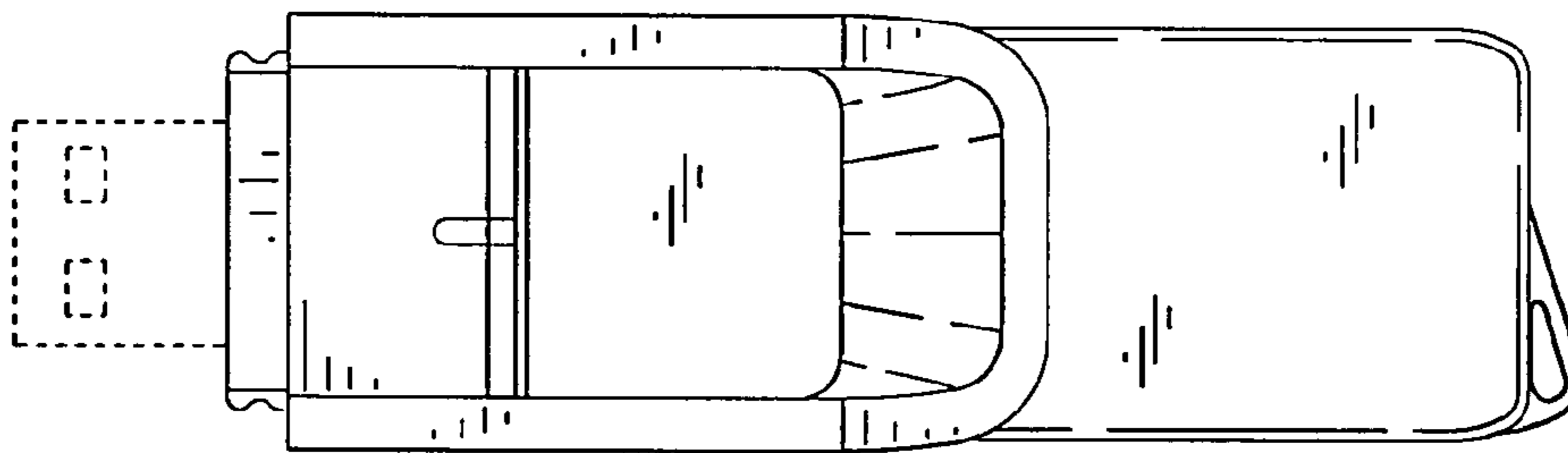


FIG. 9



FIG. 10

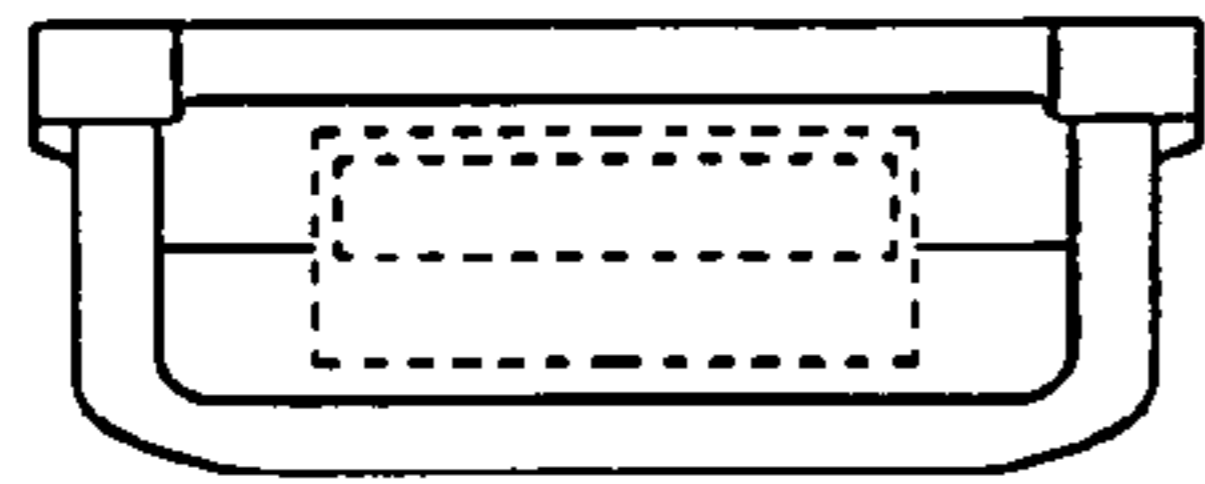


FIG. 11



FIG. 12

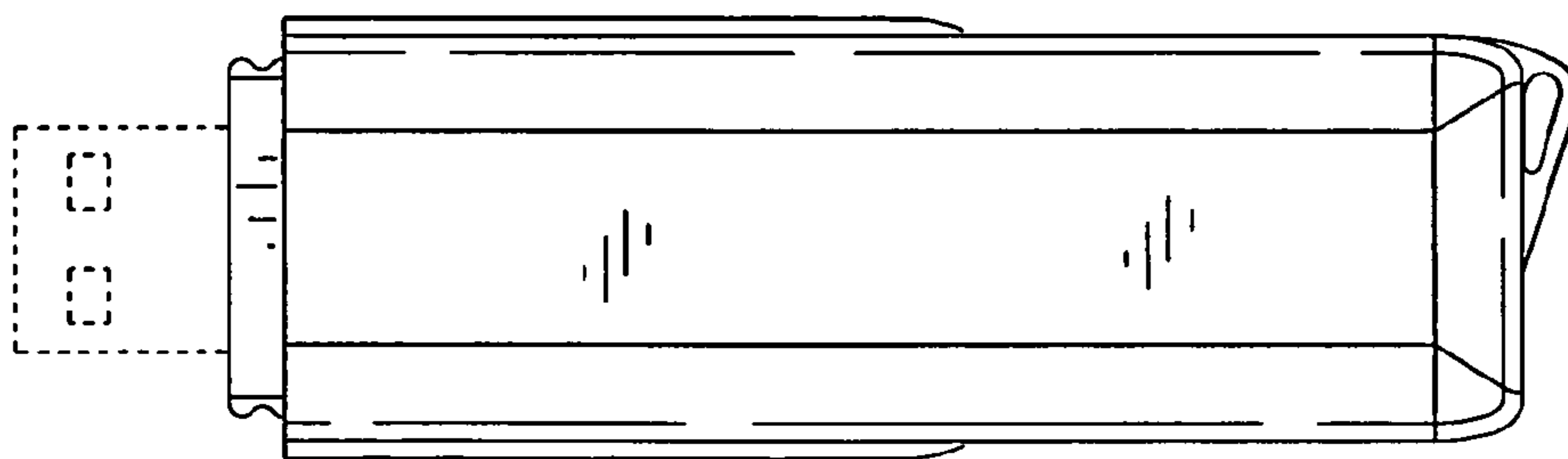


FIG. 13

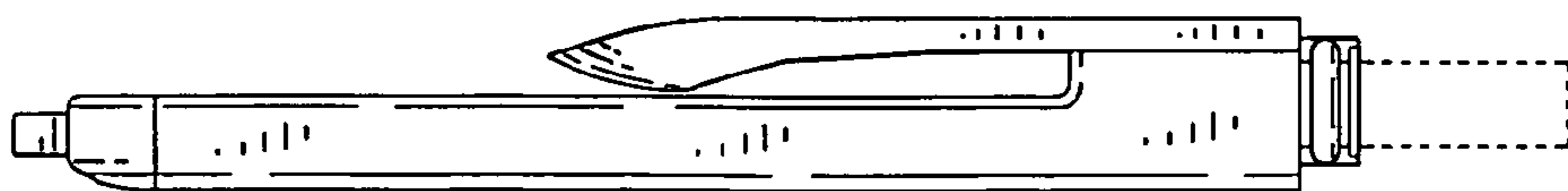


FIG. 14

UNITED STATES PATENT AND TRADEMARK OFFICE
CERTIFICATE OF CORRECTION

PATENT NO. : D691,152 S
APPLICATION NO. : 29/421966
DATED : October 8, 2013
INVENTOR(S) : Uwe Meisel and Karsten Kuber

Page 1 of 1

It is certified that error appears in the above-identified patent and that said Letters Patent is hereby corrected as shown below:

Title Page: Item 75 the inventor Karsten Kuber's Residence City is incorrect (i.e. misspelled) on the issued patent grant. The correct city and state is as shown below:

Inventors: that portion reading "Karsten Kuber, Offernoch am Mein" should read
-- Karsten Kuber, Offenbach am Main --

Signed and Sealed this
Twenty-fifth Day of March, 2014



Michelle K. Lee
Deputy Director of the United States Patent and Trademark Office