



US00D691150S

(12) **United States Design Patent**
Stener

(10) **Patent No.:** **US D691,150 S**

(45) **Date of Patent:** **** Oct. 8, 2013**

(54) **STAND FOR SUPPORTING A PERSONAL ELECTRONIC DEVICE**

(71) Applicant: **Wild West Investments, LLC**, Dallas, TX (US)

(72) Inventor: **Gavin Stener**, Dallas, TX (US)

(73) Assignee: **Wild West Investments, LLC**, Dallas, TX (US)

(**) Term: **14 Years**

(21) Appl. No.: **29/443,791**

(22) Filed: **Jan. 22, 2013**

(51) **LOC (9) Cl.** **08-07**

(52) **U.S. Cl.**
USPC **D14/447**

(58) **Field of Classification Search**
USPC D14/432, 433, 434, 439, 440, 451, D14/452, 239, 217, 224.1, 251, 252, 253, D14/457, 458, 459, 460, 461; D6/406.1, D6/406.2, 406.3, 406.4, 406.5, 406.6; 361/679.06, 679.21, 679.22, 679.24, 679.26, 361/679.27, 679.28, 679.3, 679.55, 679.56, 361/709; 248/917-924, 133, 136, 139, 150, 248/176.1, 188.6; D13/108, 110; D8/363
See application file for complete search history.

(56) **References Cited**

U.S. PATENT DOCUMENTS

1,031,839	A	7/1912	Cochran	
1,050,321	A	1/1913	Winzenburg	
1,965,668	A	7/1934	Ringwald	
2,037,435	A	4/1936	Reichenbach	
D204,042	S	3/1966	Stix	
D244,407	S	5/1977	Gass	
D258,252	S	2/1981	Gass	
D266,142	S *	9/1982	Sikstrom	D8/356
D290,558	S	6/1987	Zorrilla	
D367,477	S *	2/1996	Rosen	D14/452

D382,677	S	8/1997	Muir	
D385,751	S	11/1997	Hollinger	
D415,768	S *	10/1999	Howell	D14/451
6,007,038	A	12/1999	Han	
D444,633	S	7/2001	Henick	
D444,820	S *	7/2001	Knaub et al.	D21/333
6,398,172	B1	6/2002	Rousek et al.	
D459,898	S	7/2002	Sanford	
D466,656	S	12/2002	Kuelbs et al.	
D474,616	S	5/2003	Henick	

(Continued)

Primary Examiner — Angela J Lee

(74) *Attorney, Agent, or Firm* — Dentons US LLP

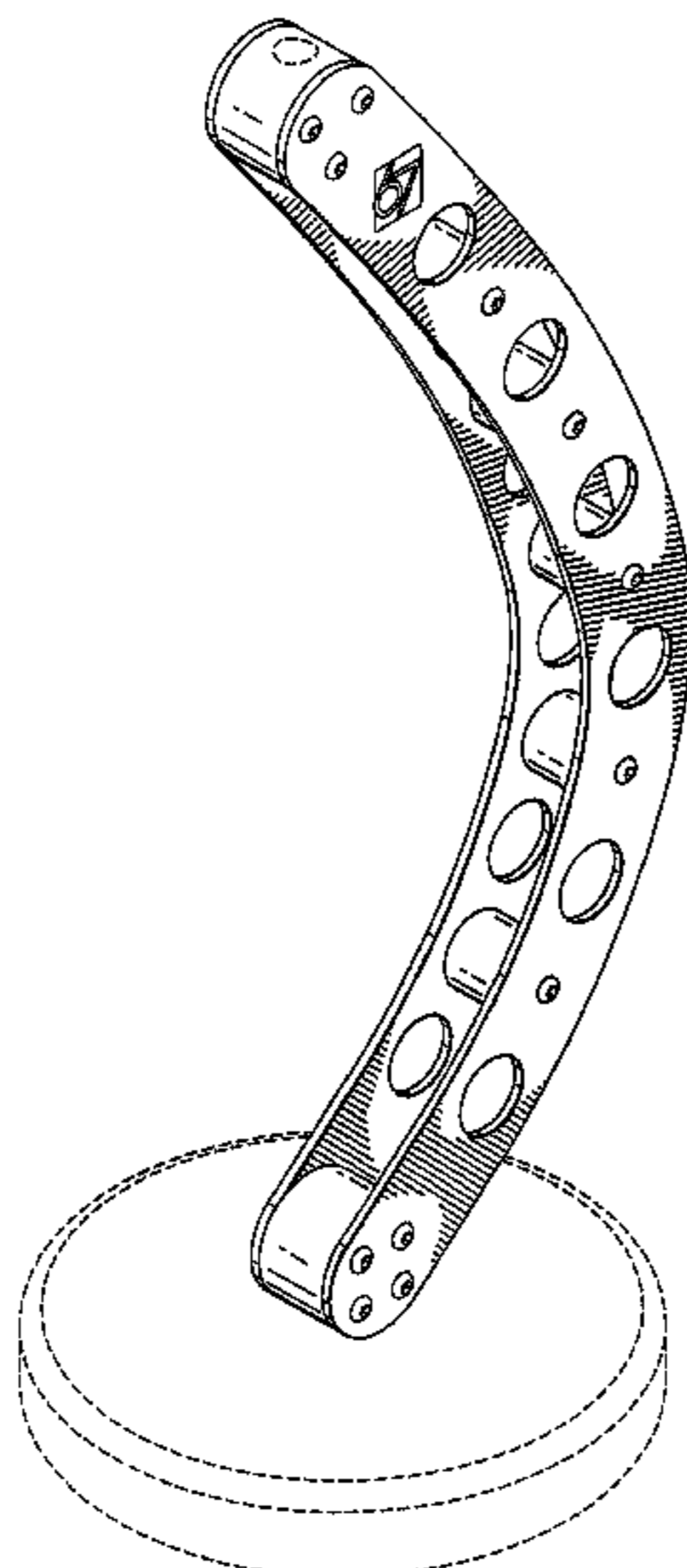
(57) **CLAIM**

The ornamental design for a stand for supporting a personal electronic device, as shown and described.

DESCRIPTION

FIG. 1 is an illustration of a perspective view of an ornamental design for a stand for supporting a personal electronic device; FIG. 2 is an illustration of a front view of an ornamental design of the stand; FIG. 3 is an illustration of a rear view of an ornamental design of the stand; FIG. 4 is an illustration of a left-side view of an ornamental design of the stand; FIG. 5 is an illustration of a right-side view of an ornamental design of the stand; FIG. 6 is an illustration of a top view of an ornamental design of the stand; FIG. 7 is an illustration of a bottom view of an ornamental design of the stand; FIG. 8 is an illustration of a perspective view of the stand supporting an illustrative electronic device; and, FIG. 9 is an illustration of a perspective view of the stand supporting the electronic device. The dashed lines shown in the drawings show environmental structure and are not part of the claimed design.

1 Claim, 8 Drawing Sheets



(56)

References Cited

U.S. PATENT DOCUMENTS

D479,772 S 9/2003 Henick
 D522,010 S * 5/2006 Piazza et al. D14/452
 D524,111 S 7/2006 Goodman et al.
 D532,981 S 12/2006 Zadro
 D538,109 S 3/2007 Goodman et al.
 D562,114 S * 2/2008 Chiu et al. D8/363
 D562,331 S * 2/2008 Li D14/452
 7,341,356 B1 3/2008 Zadro
 D608,771 S * 1/2010 Hsu D14/239
 7,644,897 B2 1/2010 Shin
 D613,524 S 4/2010 Jeffers
 D614,613 S 4/2010 Kim et al.
 D617,329 S * 6/2010 Woodward et al. D14/451

7,770,862 B2 * 8/2010 Chen 248/351
 D629,405 S * 12/2010 Crysell D14/447
 D634,980 S 3/2011 Goodman et al.
 D644,041 S 8/2011 Bugio
 8,025,016 B2 9/2011 Adams
 8,087,629 B2 1/2012 Gotovac
 D654,054 S 2/2012 Kohte et al.
 D663,306 S * 7/2012 Barbieri D14/452
 D673,573 S * 1/2013 Skene et al. D14/447
 2007/0252919 A1 11/2007 McGreevy
 2010/0252696 A1 10/2010 Sage
 2011/0292666 A1 12/2011 Gallagher
 2012/0091307 A1 4/2012 Haynes
 2012/0187257 A1 7/2012 Zou

* cited by examiner

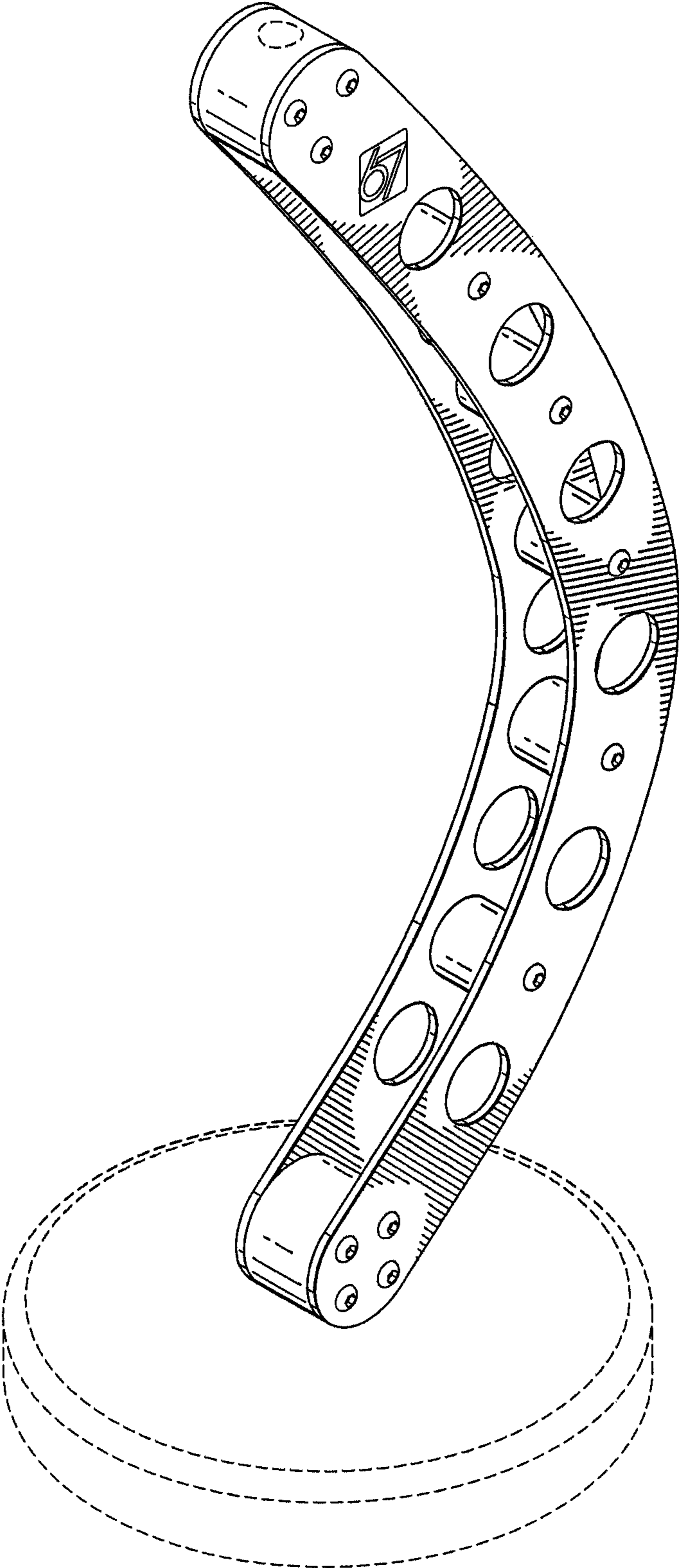


FIG. 1

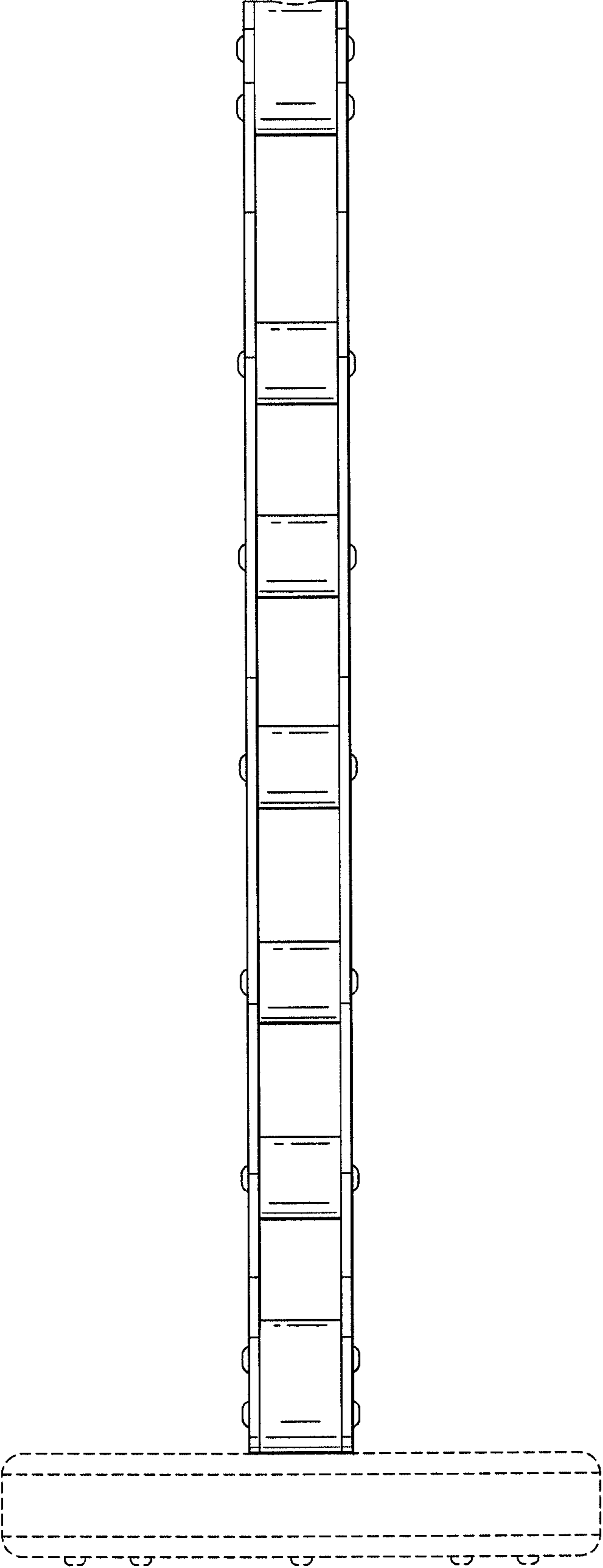


FIG. 2

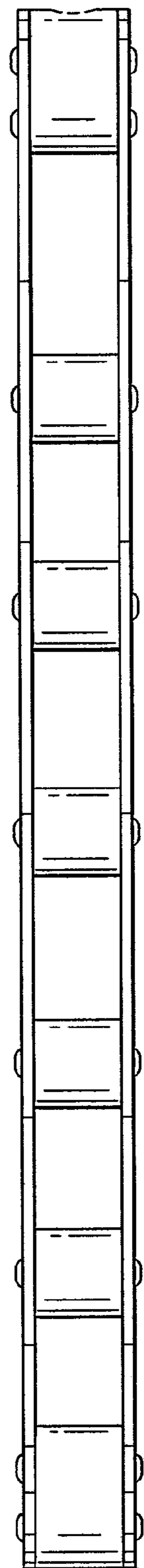


FIG. 3

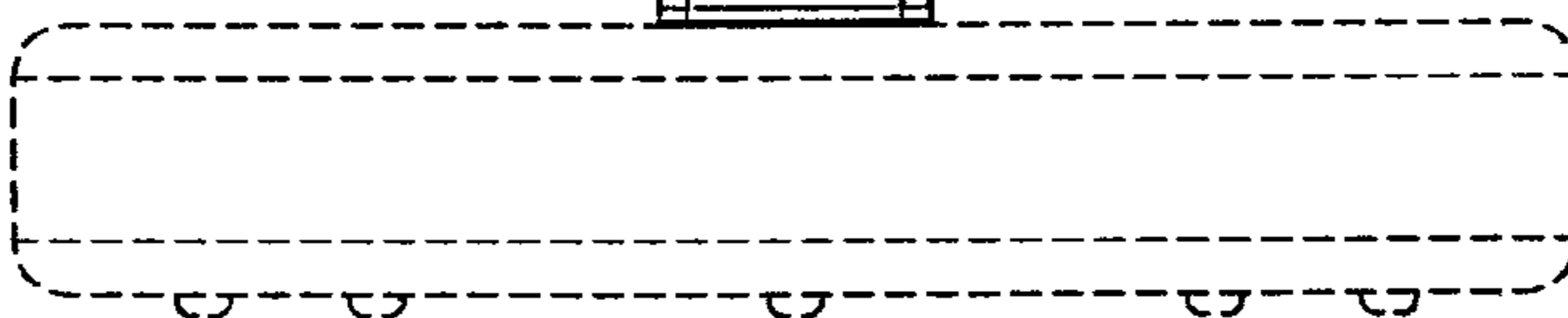
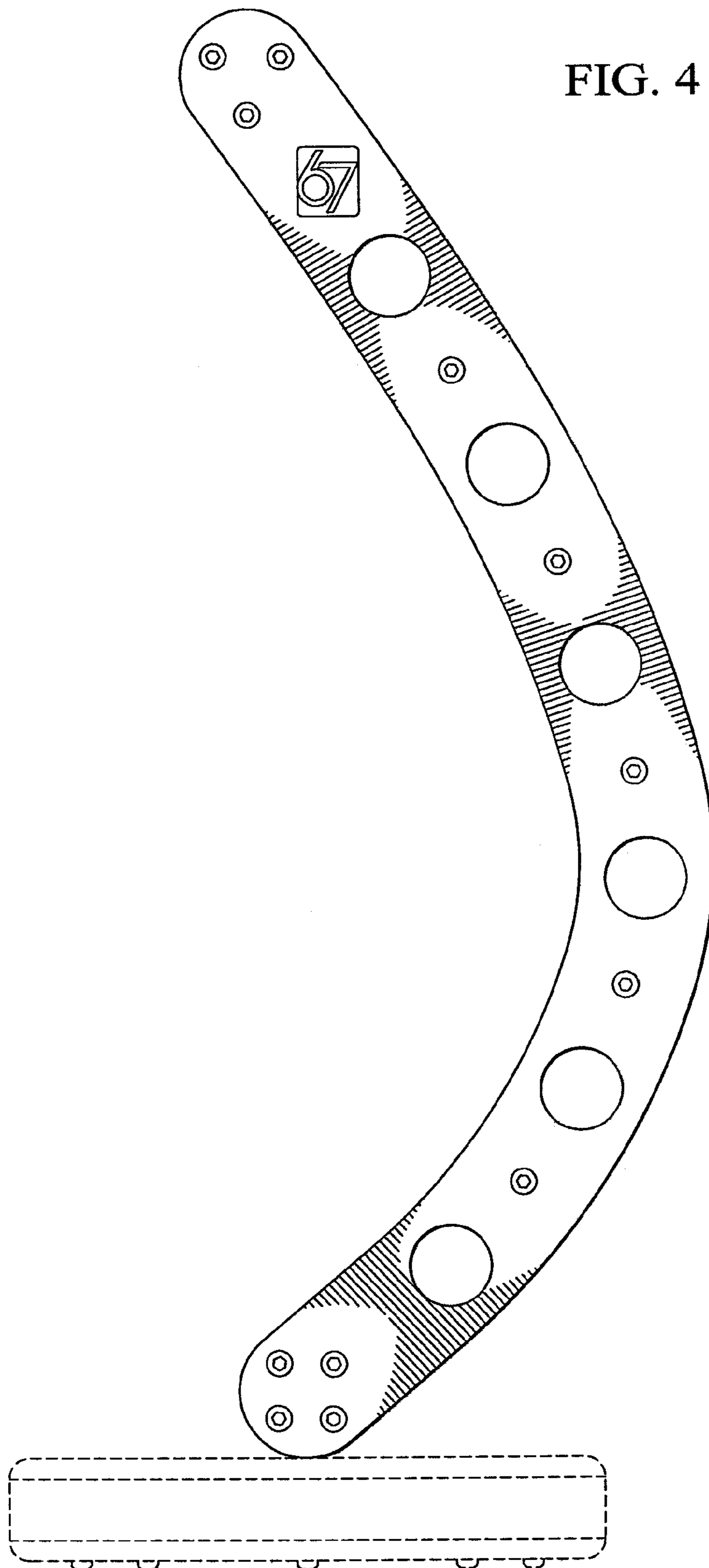


FIG. 4



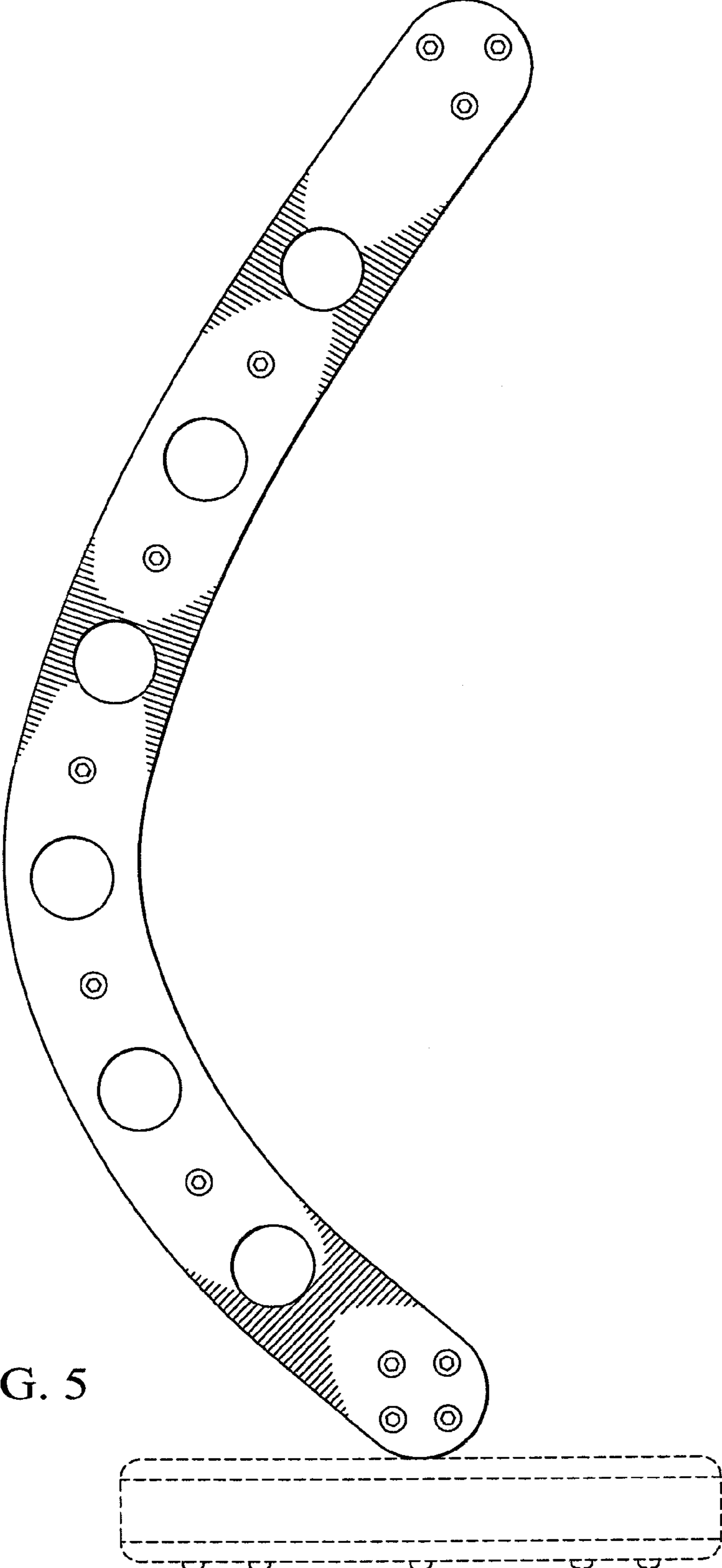


FIG. 5

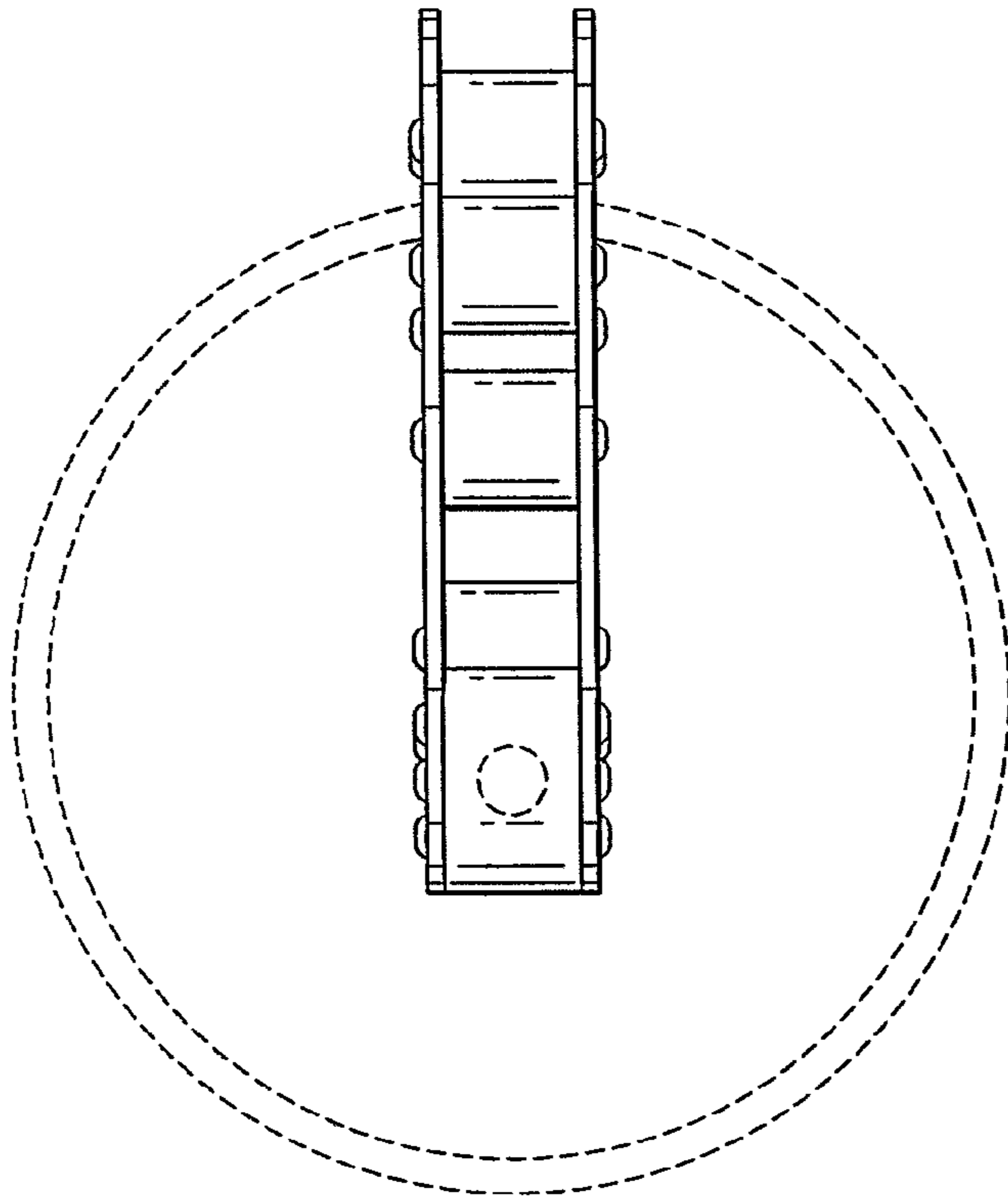


FIG. 6

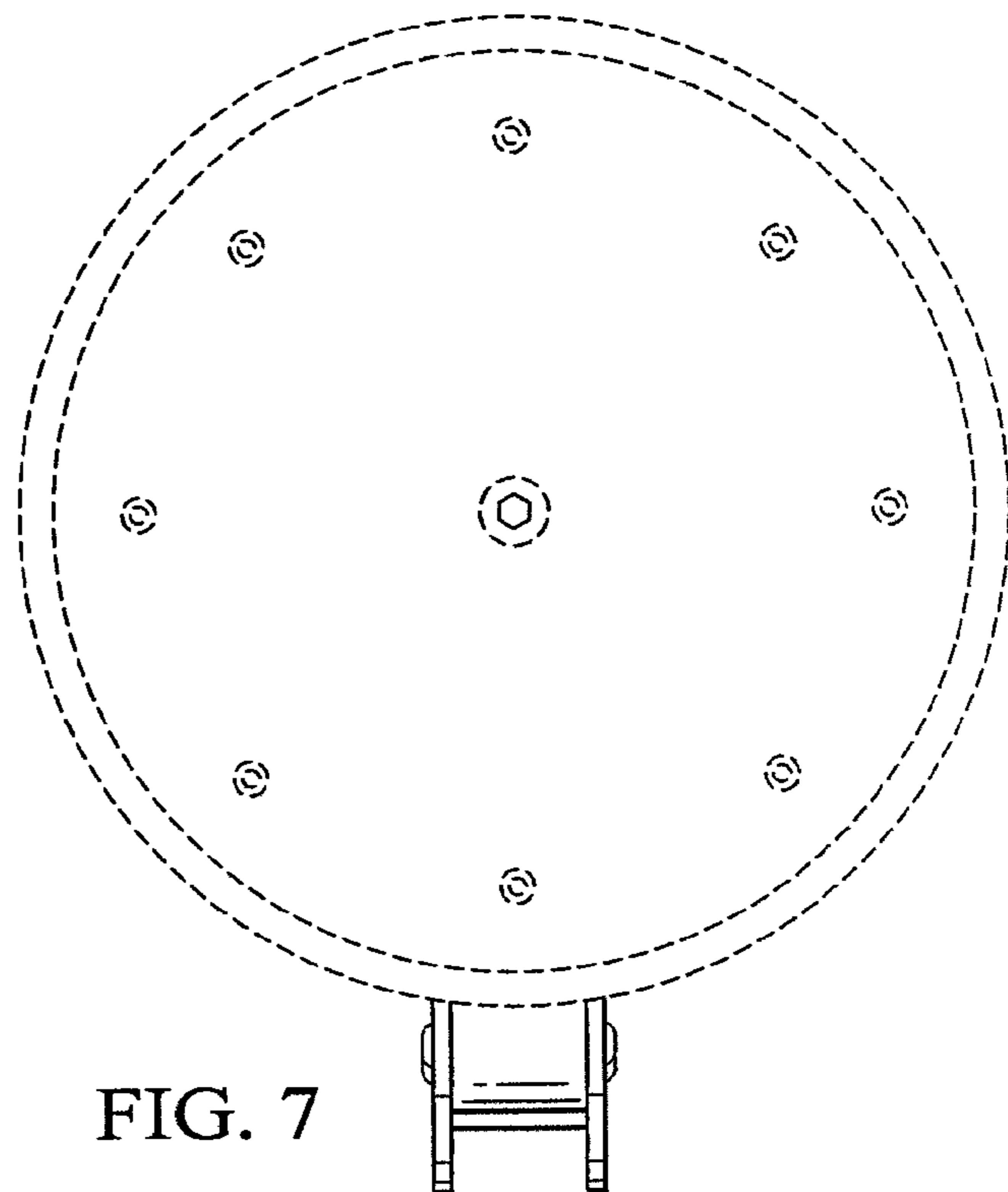


FIG. 7

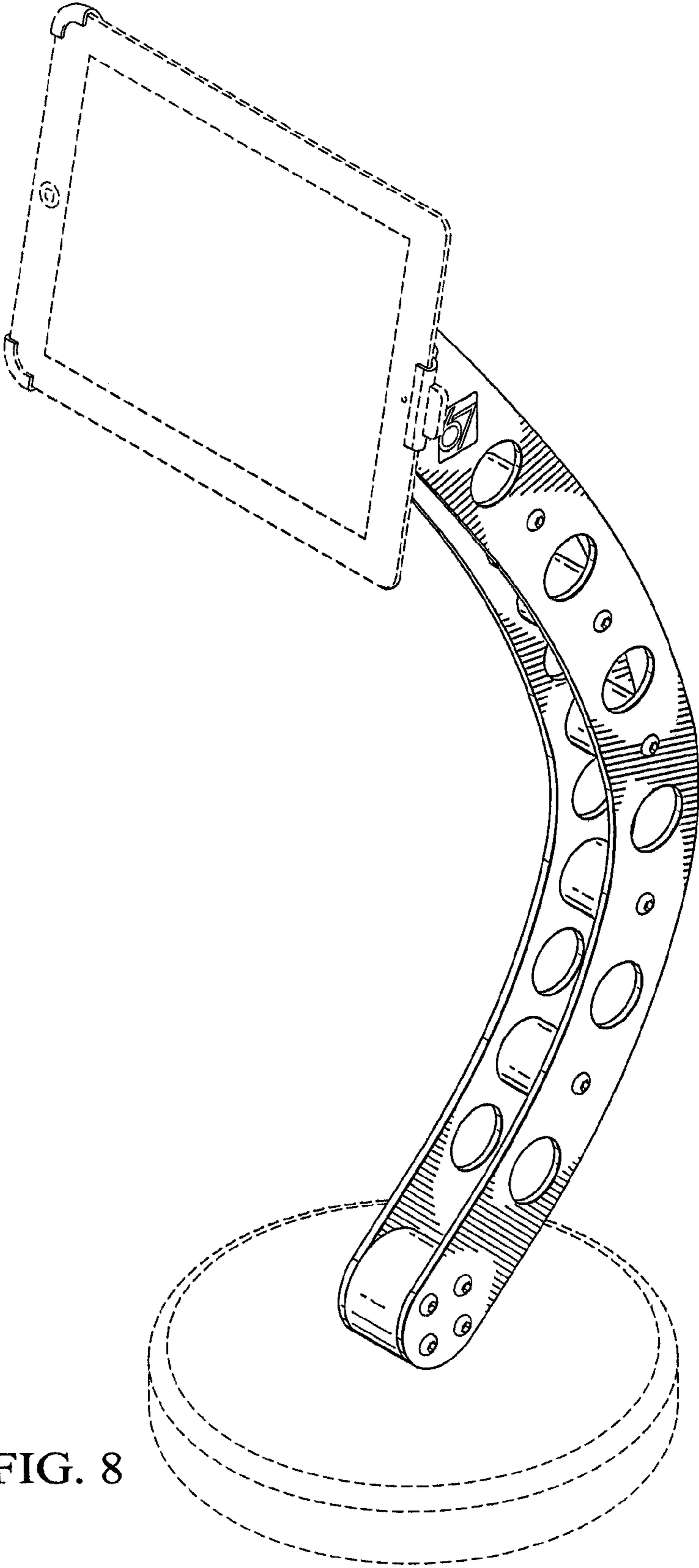


FIG. 8

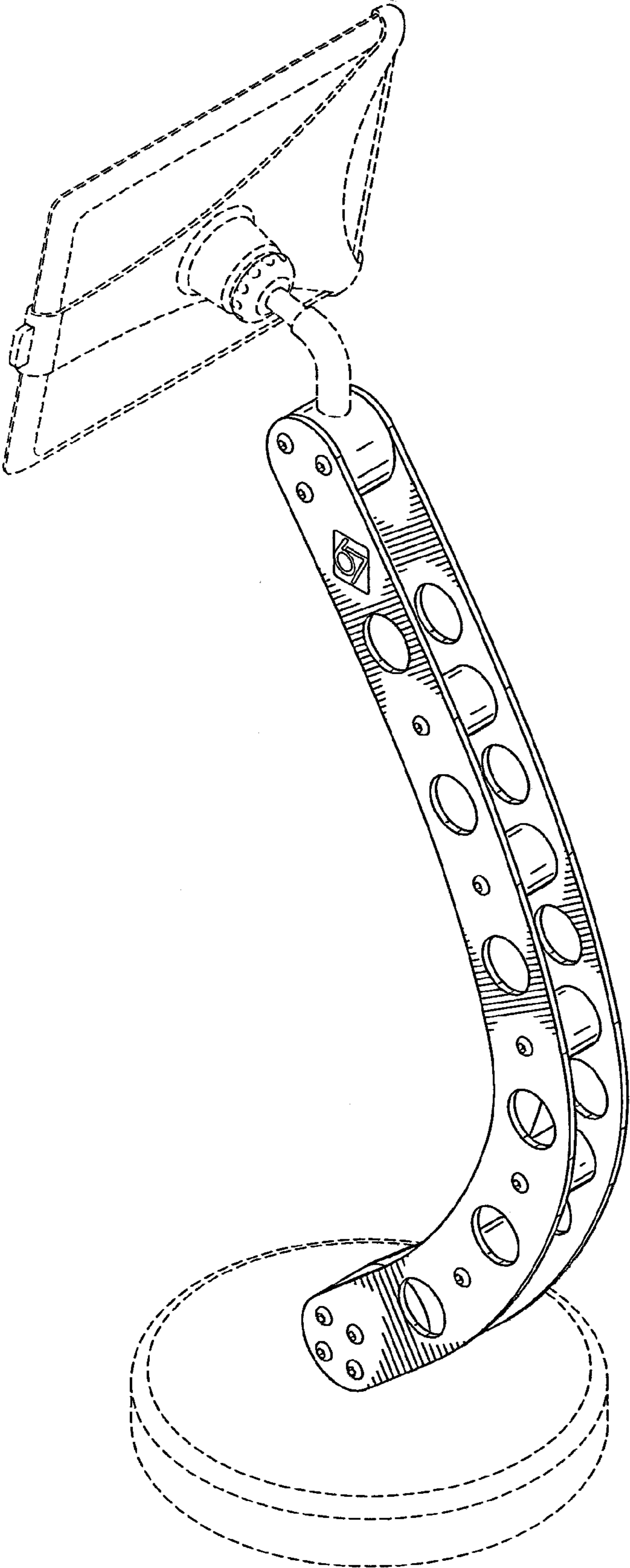


FIG. 9