



US00D691148S

(12) **United States Design Patent**
Weatherby, III

(10) **Patent No.:** **US D691,148 S**

(45) **Date of Patent:** **** Oct. 8, 2013**

(54) **PORTABLE COMPUTING DEVICE HOLDER WITH FLEXIBLE NECK**

D673,960 S * 1/2013 Lindfield et al. D14/447
D674,805 S * 1/2013 Vincent D14/447
D678,297 S * 3/2013 Willkomm D14/447

(71) Applicant: **Jan Carson Weatherby, III**, Atlanta, GA (US)

* cited by examiner

(72) Inventor: **Jan Carson Weatherby, III**, Atlanta, GA (US)

Primary Examiner — Angela J Lee

(73) Assignee: **Two Fish, LLC**, Atlanta, GA (US)

(57) **CLAIM**

The ornamental design for a portable computing device holder with flexible neck, as shown and described.

(**) Term: **14 Years**

DESCRIPTION

(21) Appl. No.: **29/433,845**

FIG. 1 is a front perspective view of the portable computing device holder with flexible neck showing my new design; FIG. 2 is a back perspective view thereof; FIG. 3 is a bottom perspective view thereof; FIG. 4 is a top perspective view thereof; FIG. 5 is a right perspective view thereof; FIG. 6 is a left perspective view thereof; FIG. 7 is a left perspective view thereof, but showing the bracket detached for completeness of illustration; FIG. 8 is an enlarged front view thereof, but showing the bracket separately for clarity of illustration; FIG. 9 is a front perspective view thereof; FIG. 10 is a back view thereof; FIG. 11 is a back perspective view thereof; FIG. 12 is a side perspective view thereof; FIG. 13 is a top perspective view thereof; FIG. 14 is a front perspective view of the portable computing device holder with flexible neck shown in FIG. 1, but with the bracket shown in an alternate rotated position; FIG. 15 is a front perspective view thereof, but showing the flexible neck in an alternate position; FIG. 16 is a front perspective view thereof, but showing the flexible neck in an alternate position; and, FIG. 17 is a front perspective view thereof, but showing the flexible neck in an alternate position.

(22) Filed: **Oct. 5, 2012**

(51) **LOC (9) Cl.** **08-07**

(52) **U.S. Cl.**
USPC **D14/447**

(58) **Field of Classification Search**
USPC D14/432, 433, 434, 439, 440, 451, D14/452, 239, 217, 224.1, 251, 252, 253, D14/457, 458, 459, 460, 461; D6/406.1, D6/406.2, 406.3, 406.4, 406.5, 406.6; 361/679.06, 679.21, 679.22, 679.24, 679.26, 361/679.27, 679.28, 679.3, 679.55, 679.56, 361/709; 248/917-924, 133, 136, 139, 150, 248/176.1, 188.6; D12/415

See application file for complete search history.

(56) **References Cited**

U.S. PATENT DOCUMENTS

D393,853 S * 4/1998 Maas D14/126
D549,709 S * 8/2007 Richter D14/447
D640,707 S * 6/2011 Yeh D14/447
D652,045 S * 1/2012 Hong D14/447
D654,054 S * 2/2012 Kohte et al. D14/217
D658,651 S * 5/2012 Lee et al. D14/452
D666,205 S * 8/2012 Li et al. D14/452
D670,690 S * 11/2012 Daniel et al. D14/253
D671,110 S * 11/2012 Choi D14/253

The invention is intended to afford users hands free ergonomic visibility of a portable computing device, and to allow user determined positioning of the device.

1 Claim, 17 Drawing Sheets

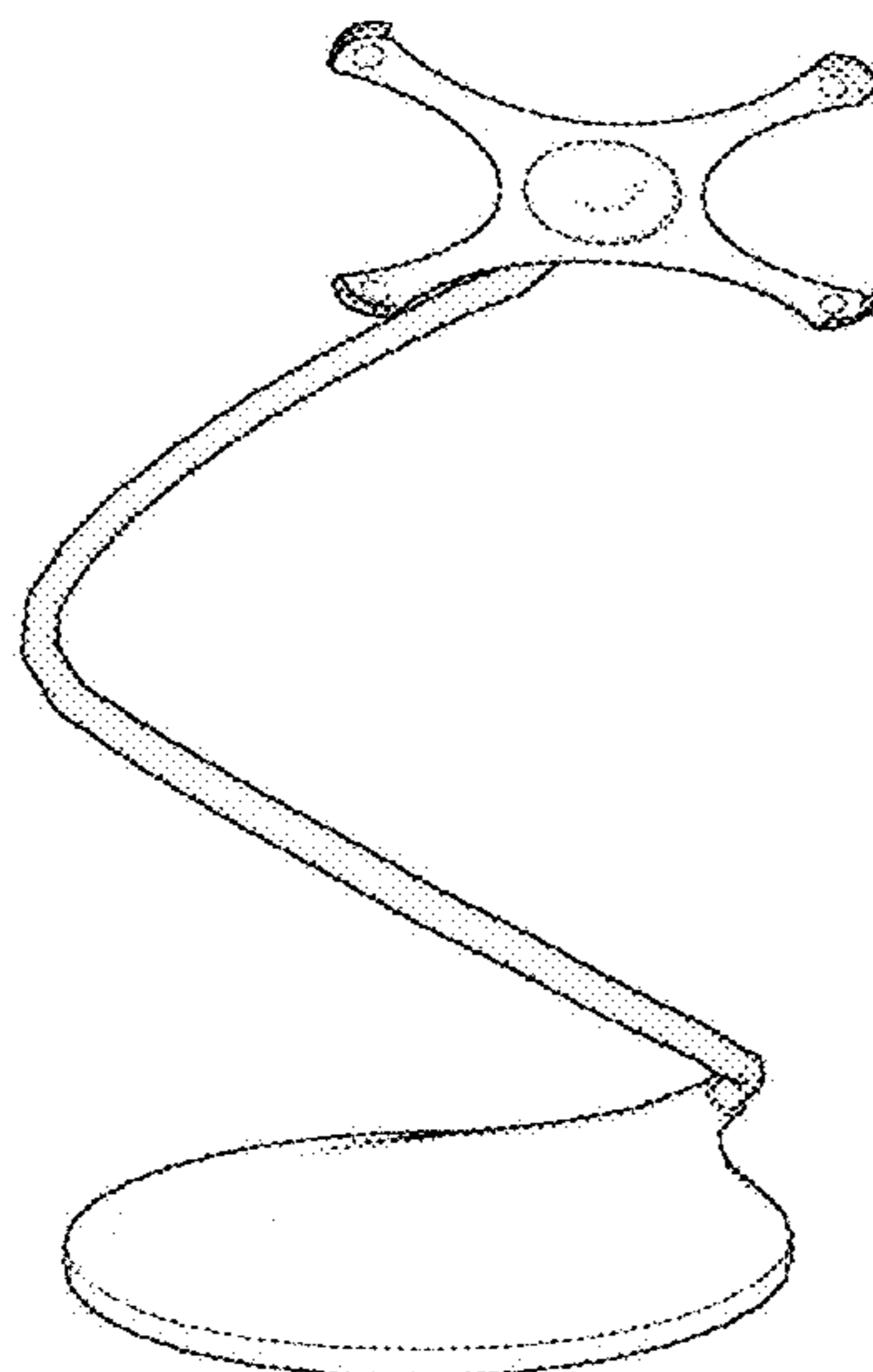


FIG. 1

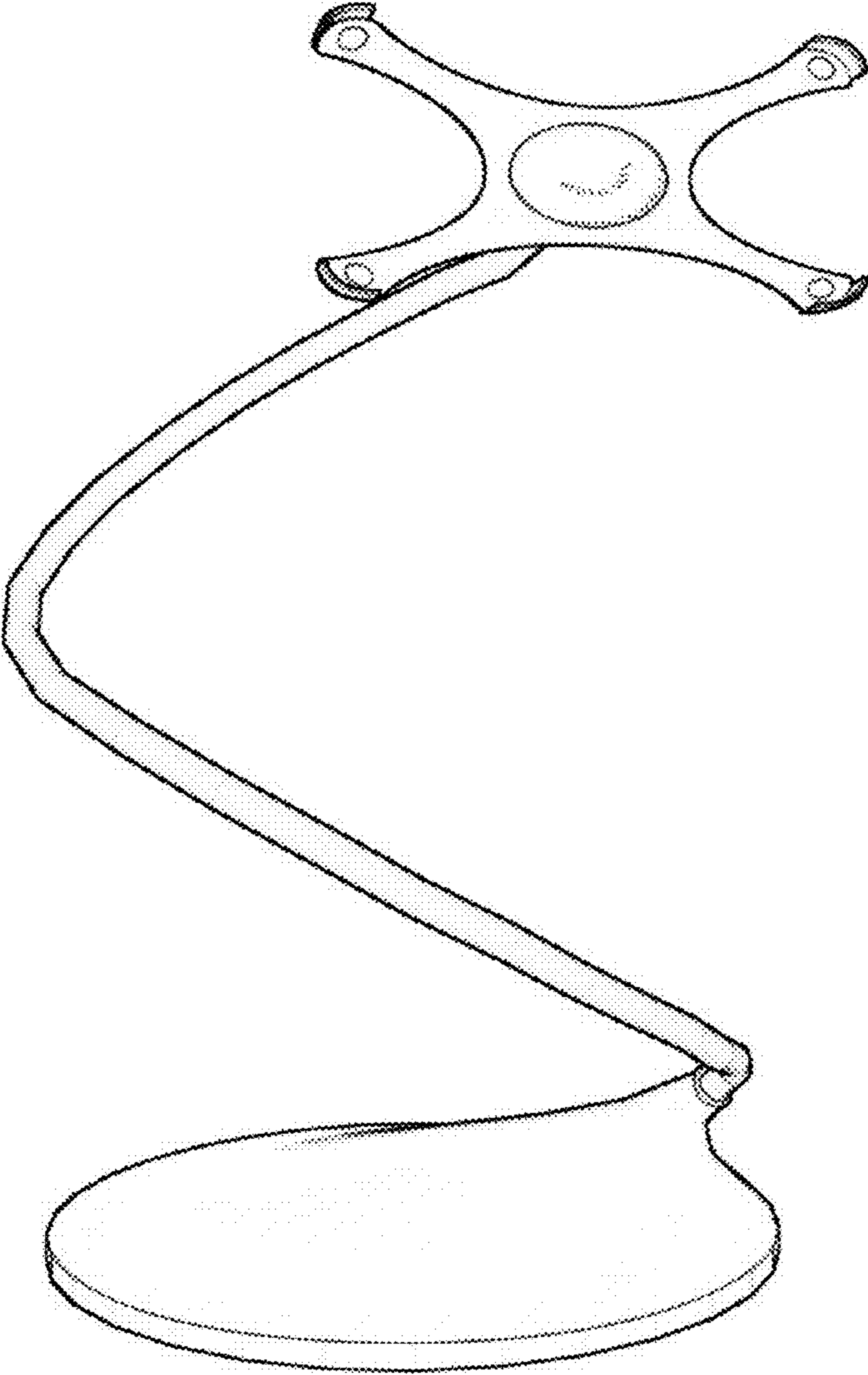


FIG. 2

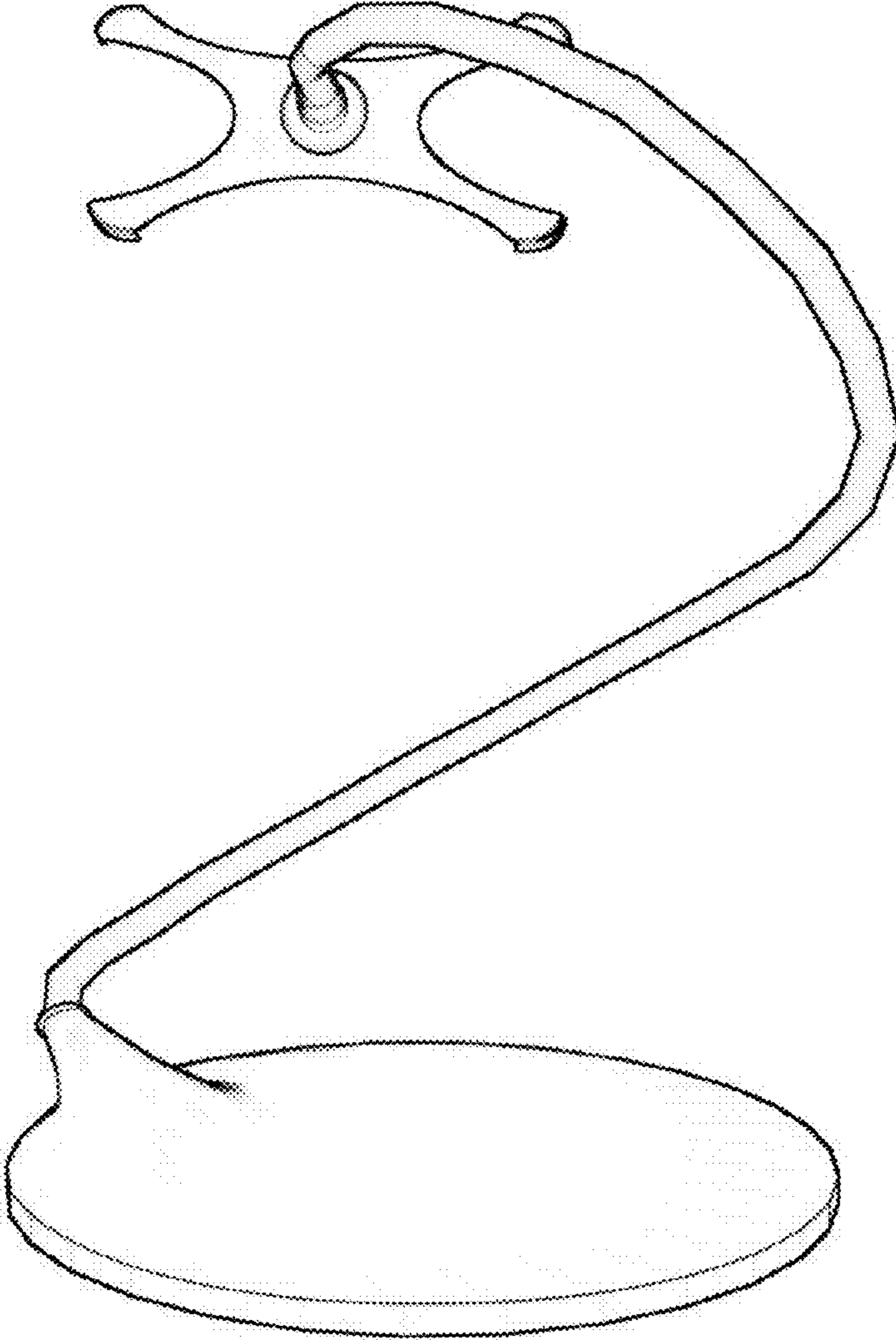


FIG. 3

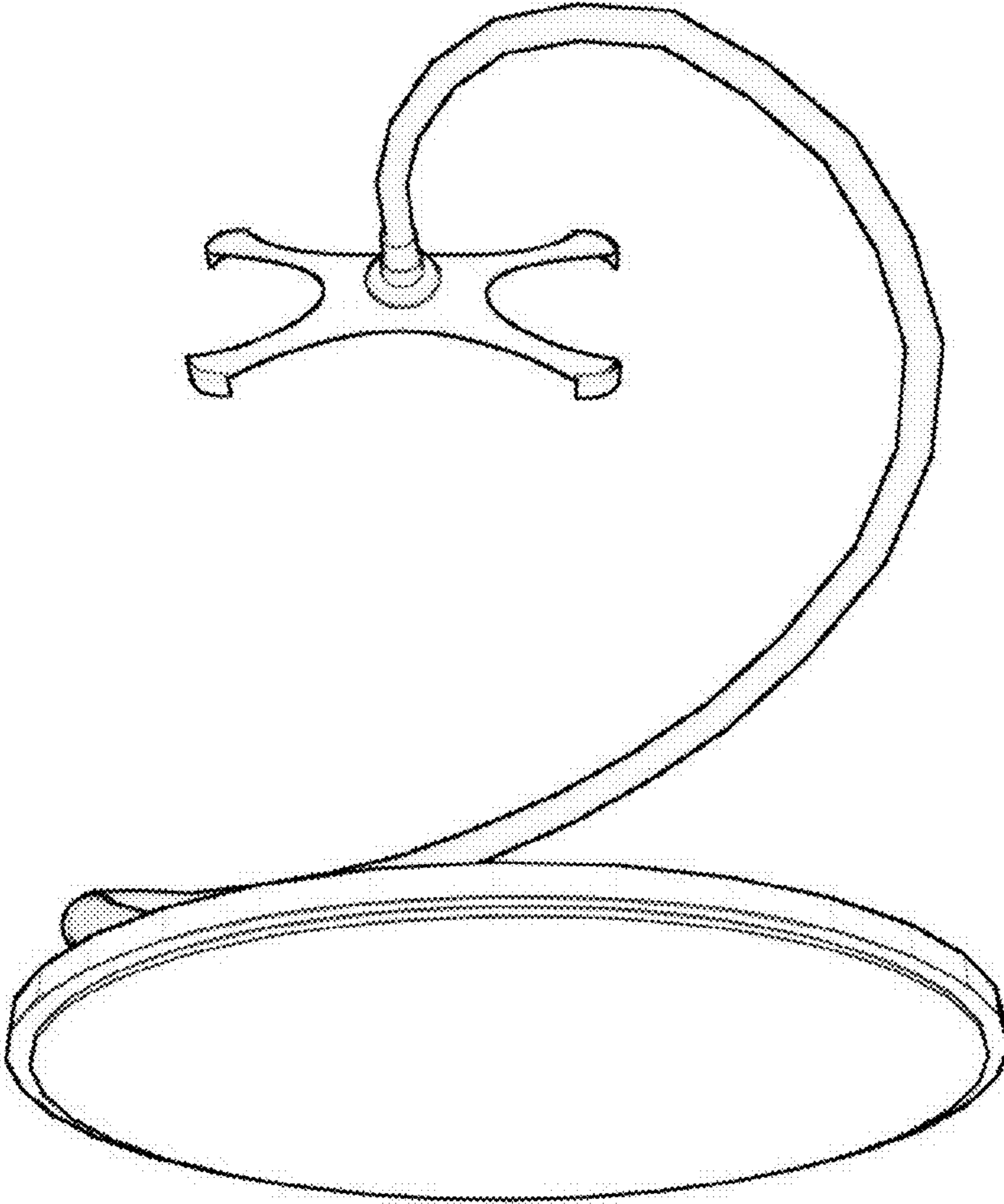


FIG. 4

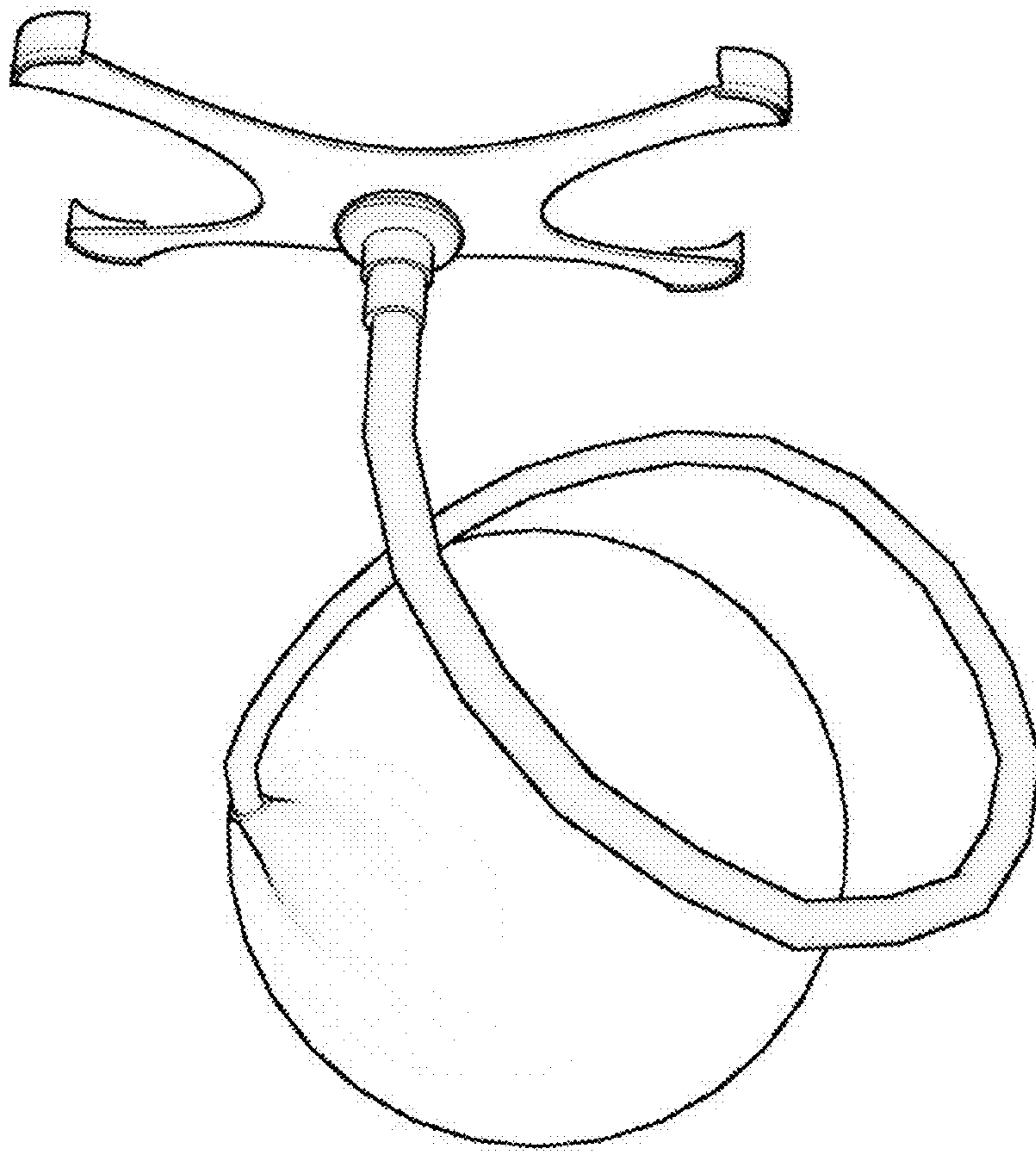


FIG. 5

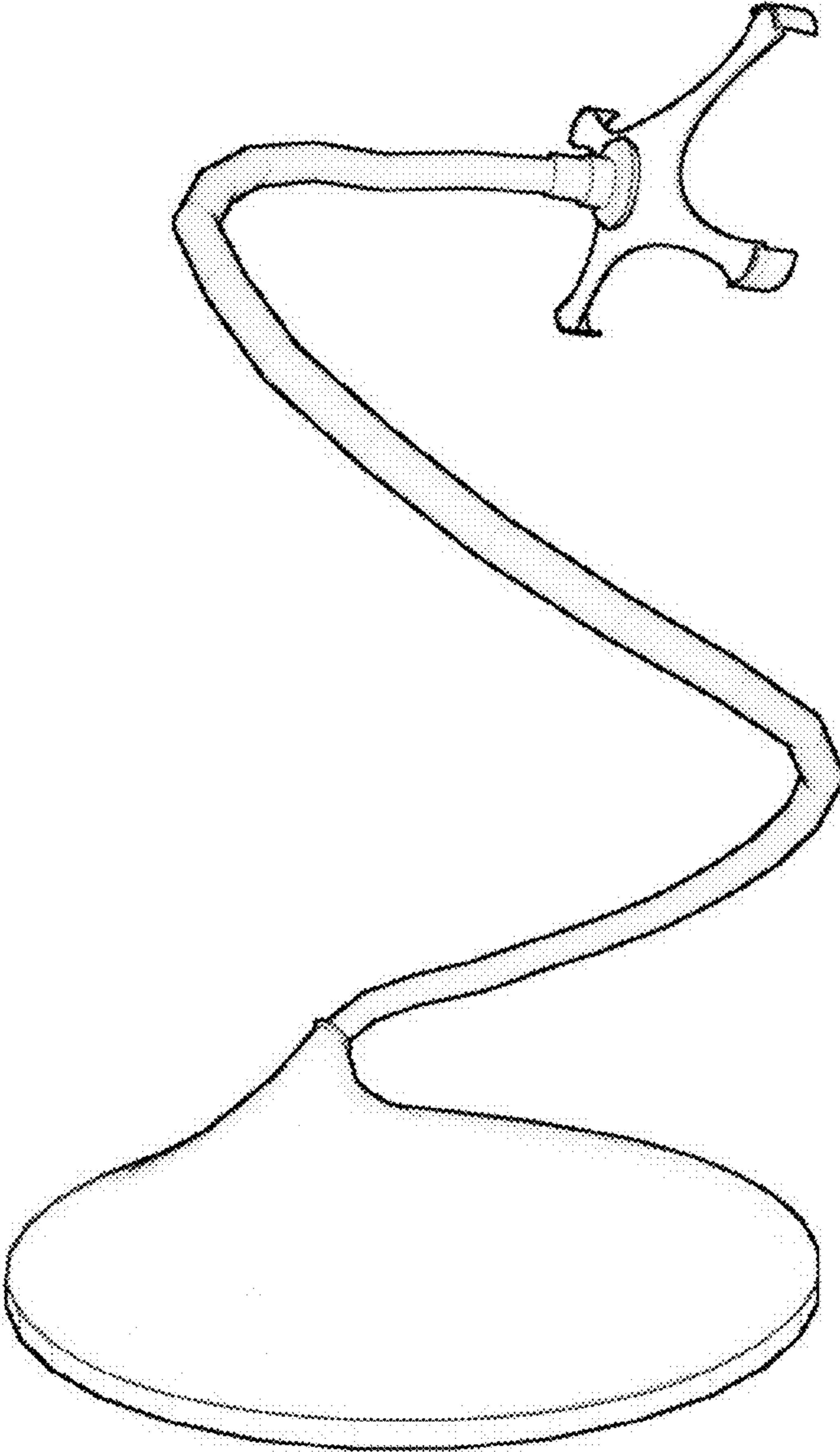


FIG. 6

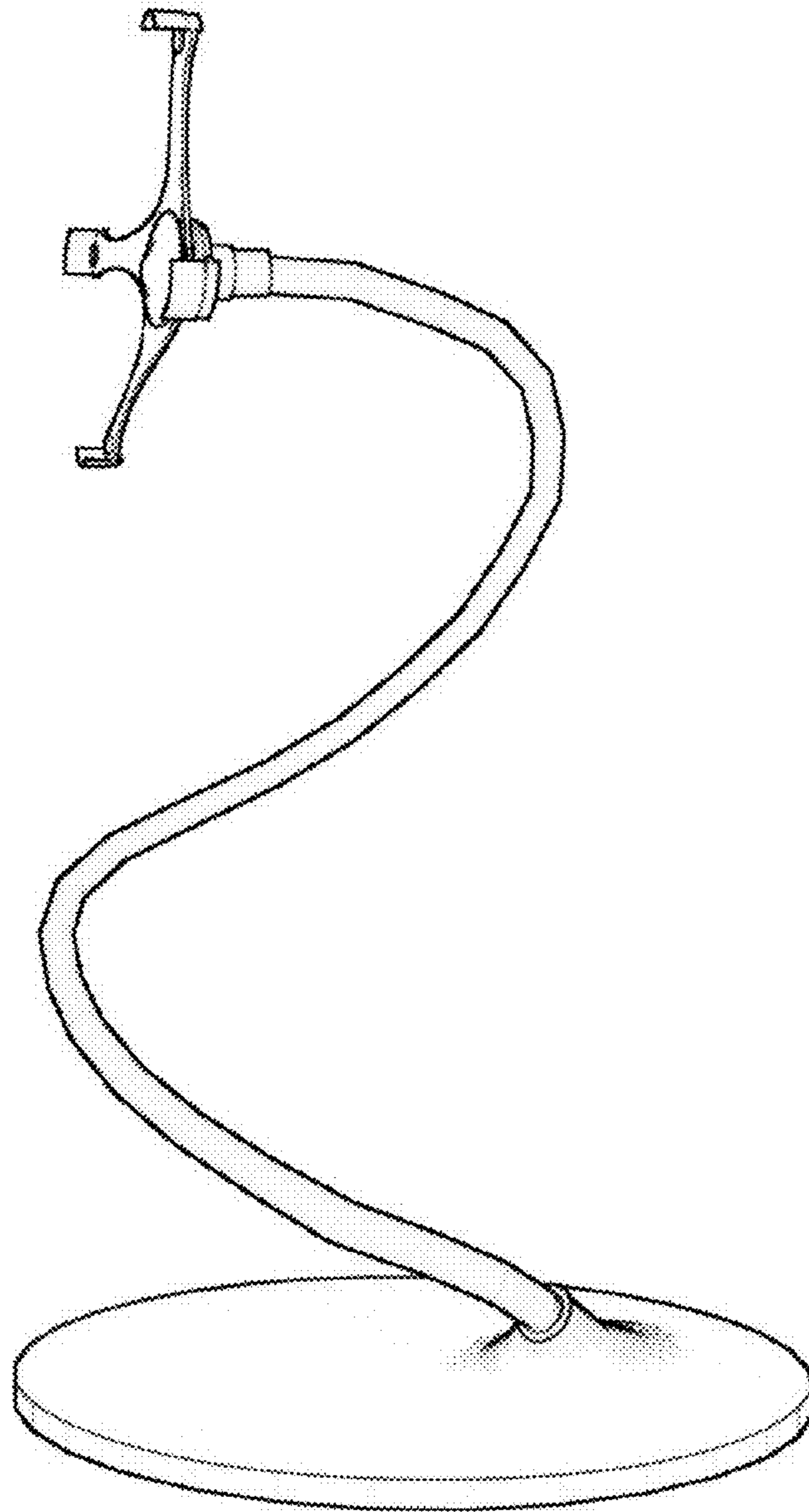


FIG. 7

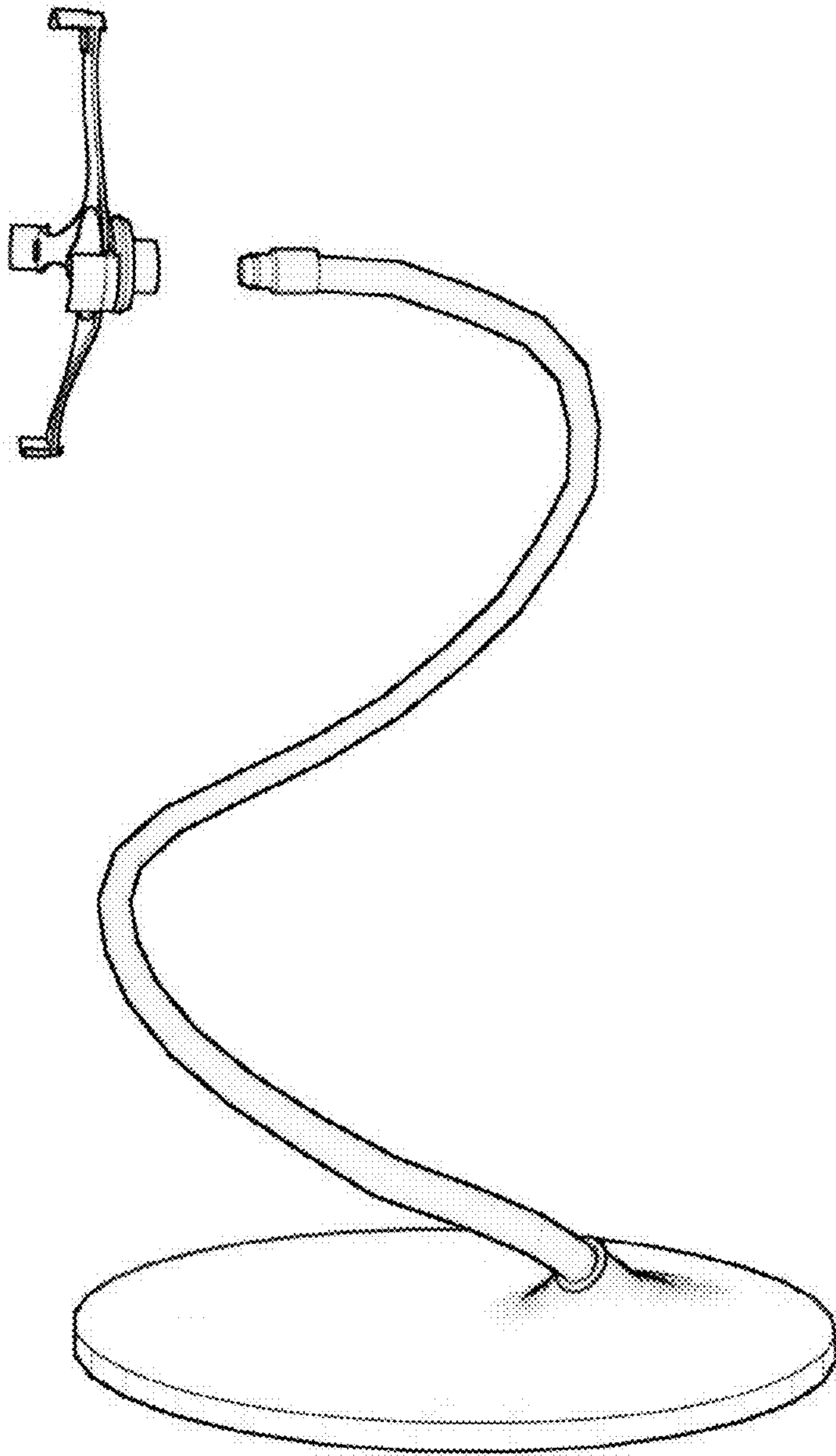


FIG. 8

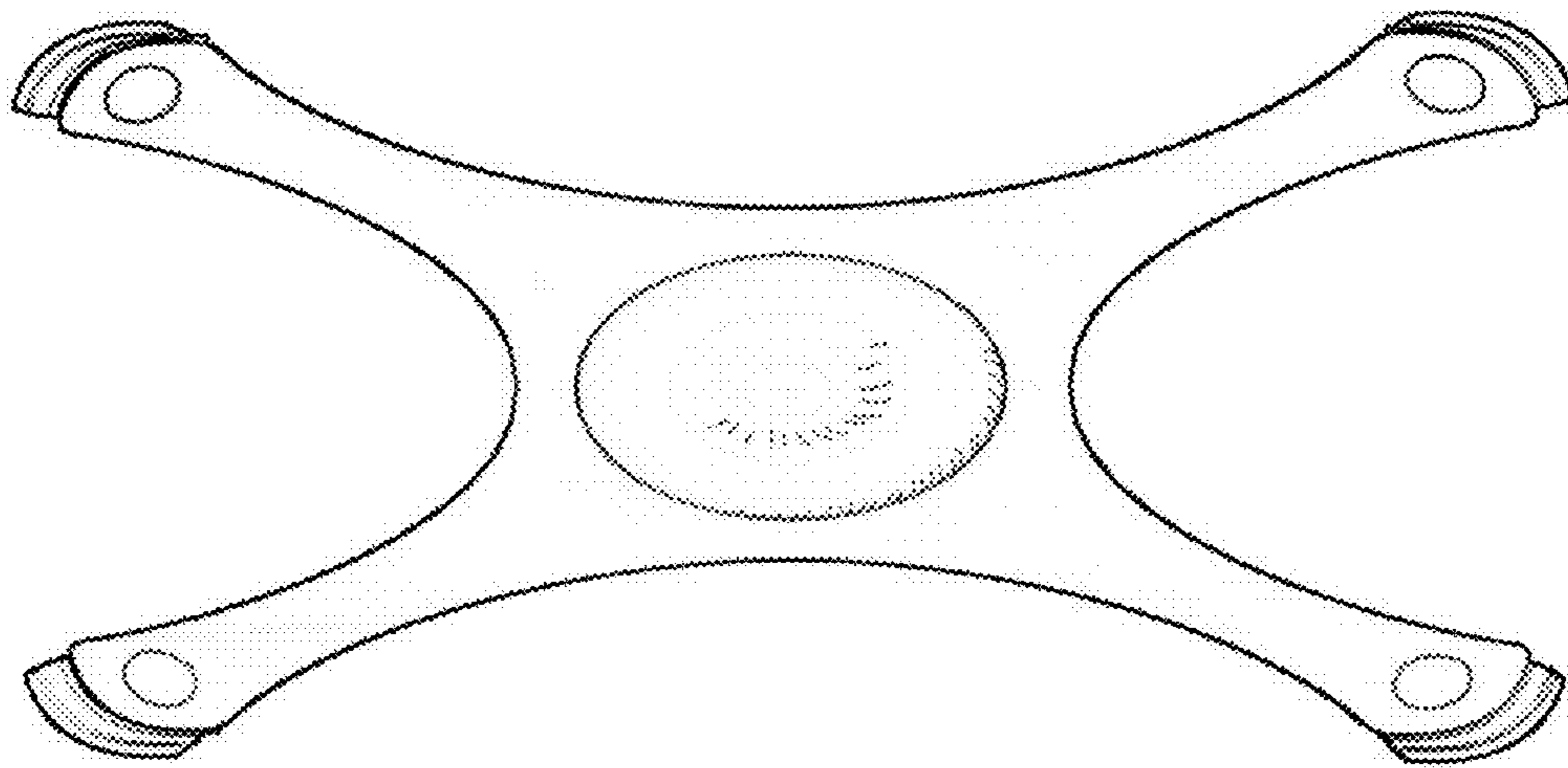


FIG. 9

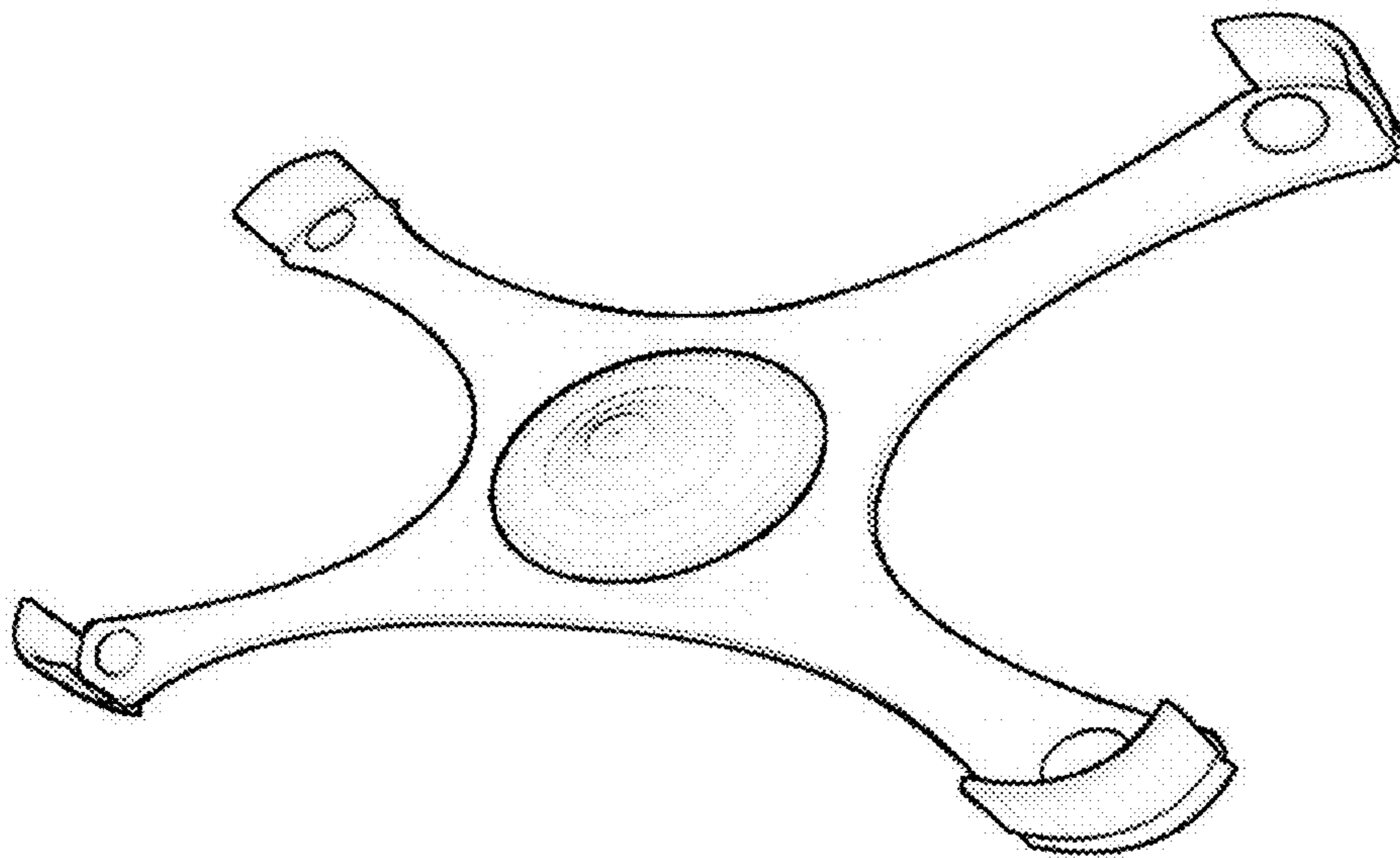


FIG. 10

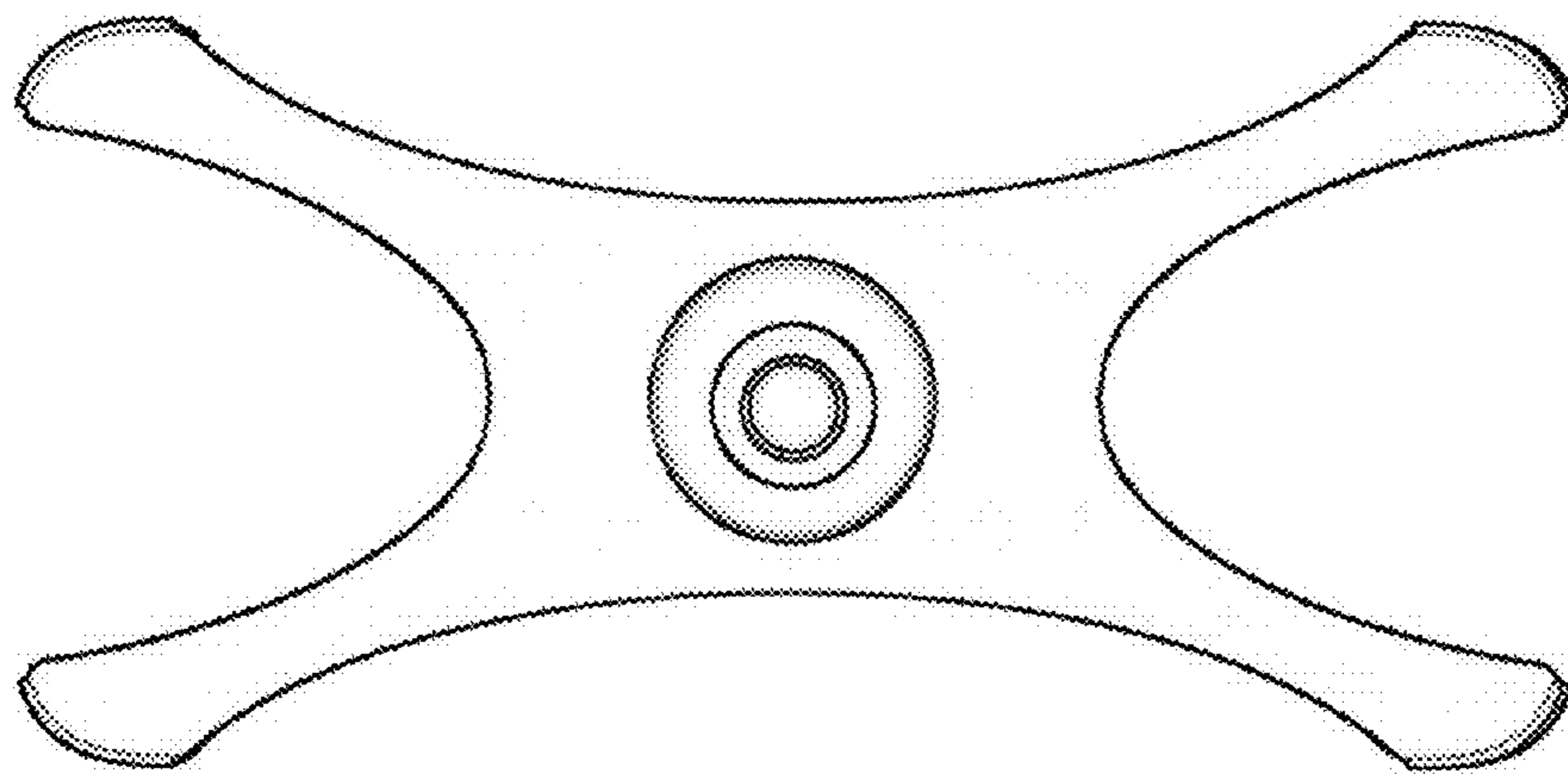


FIG. 11

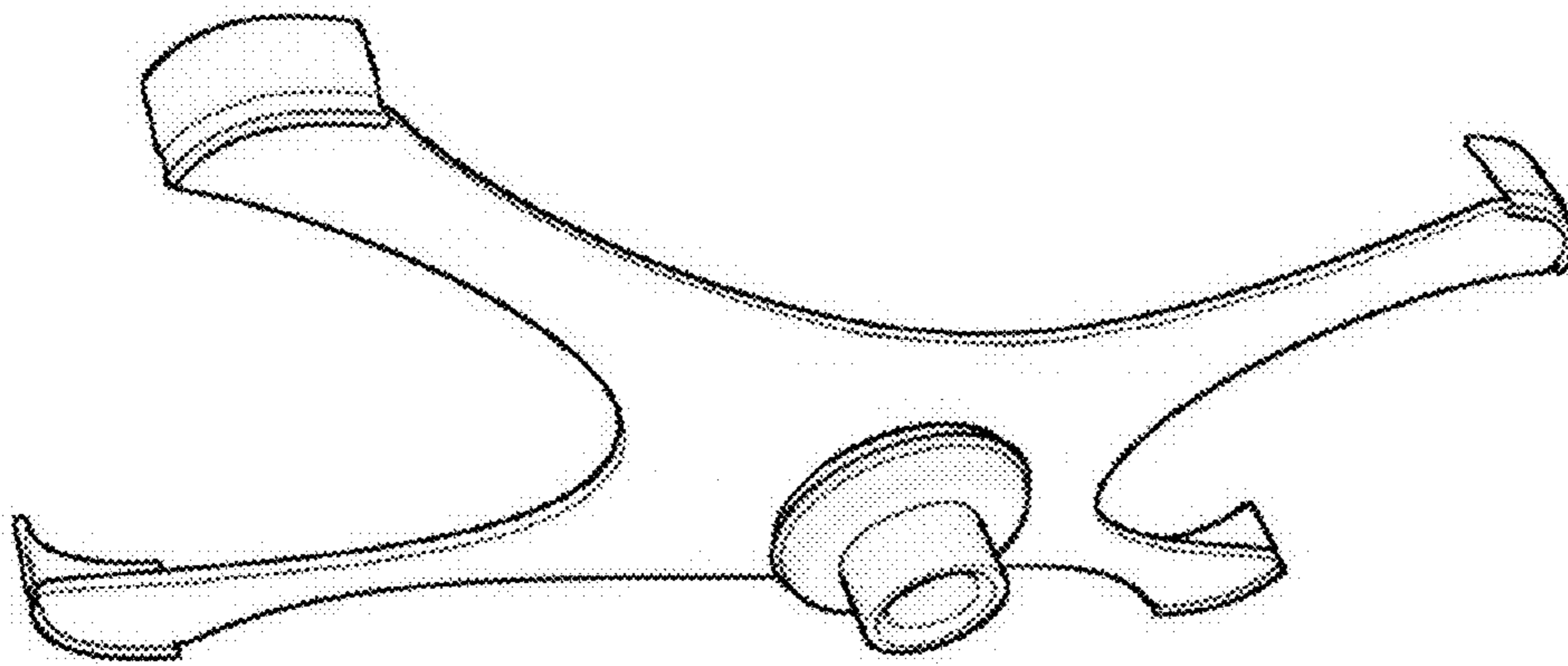


FIG. 12

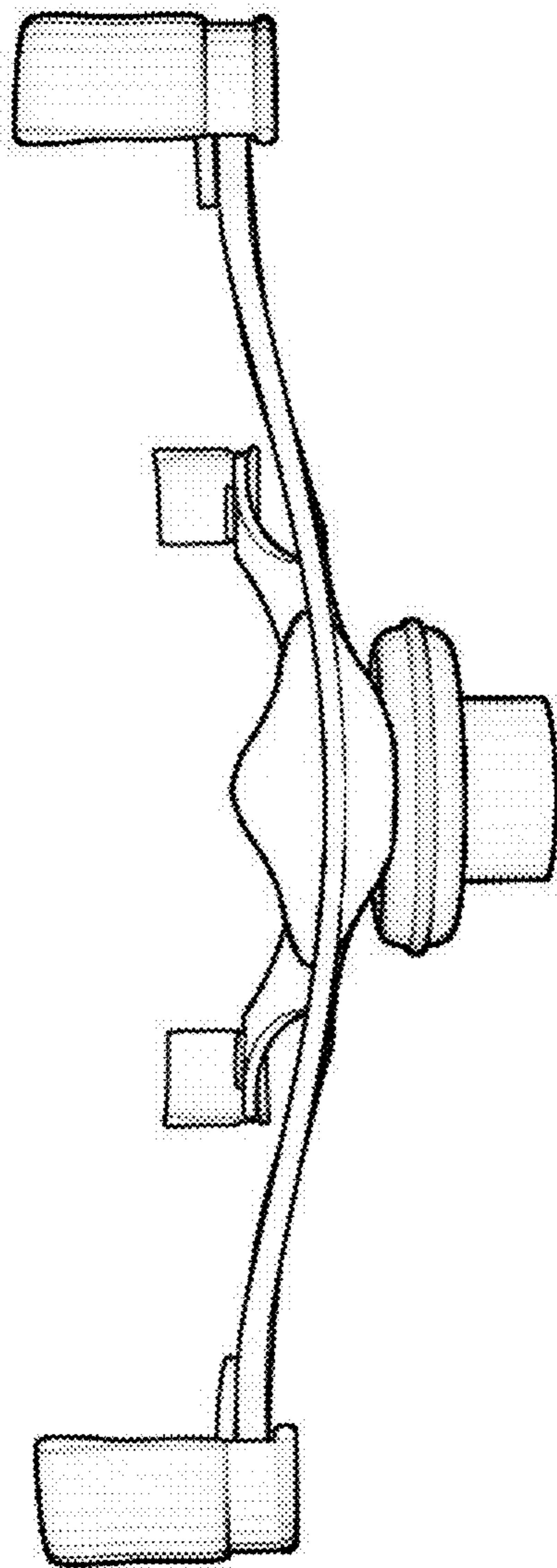


FIG. 13

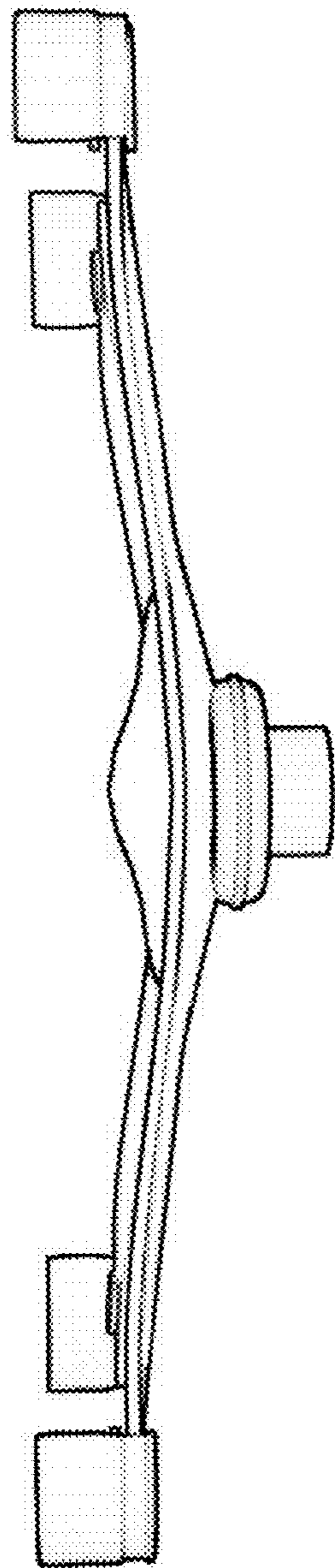


FIG. 14

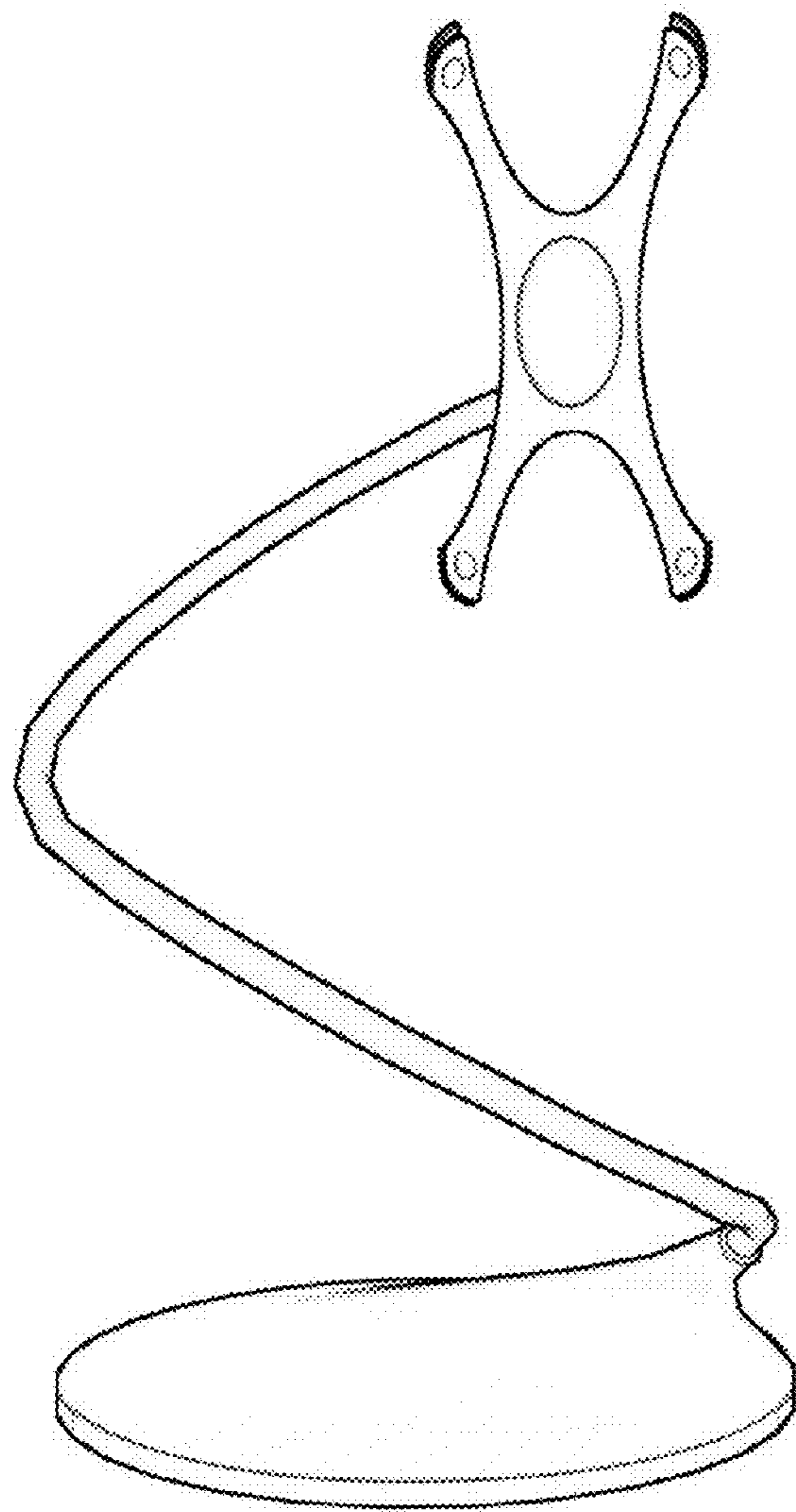


FIG. 15

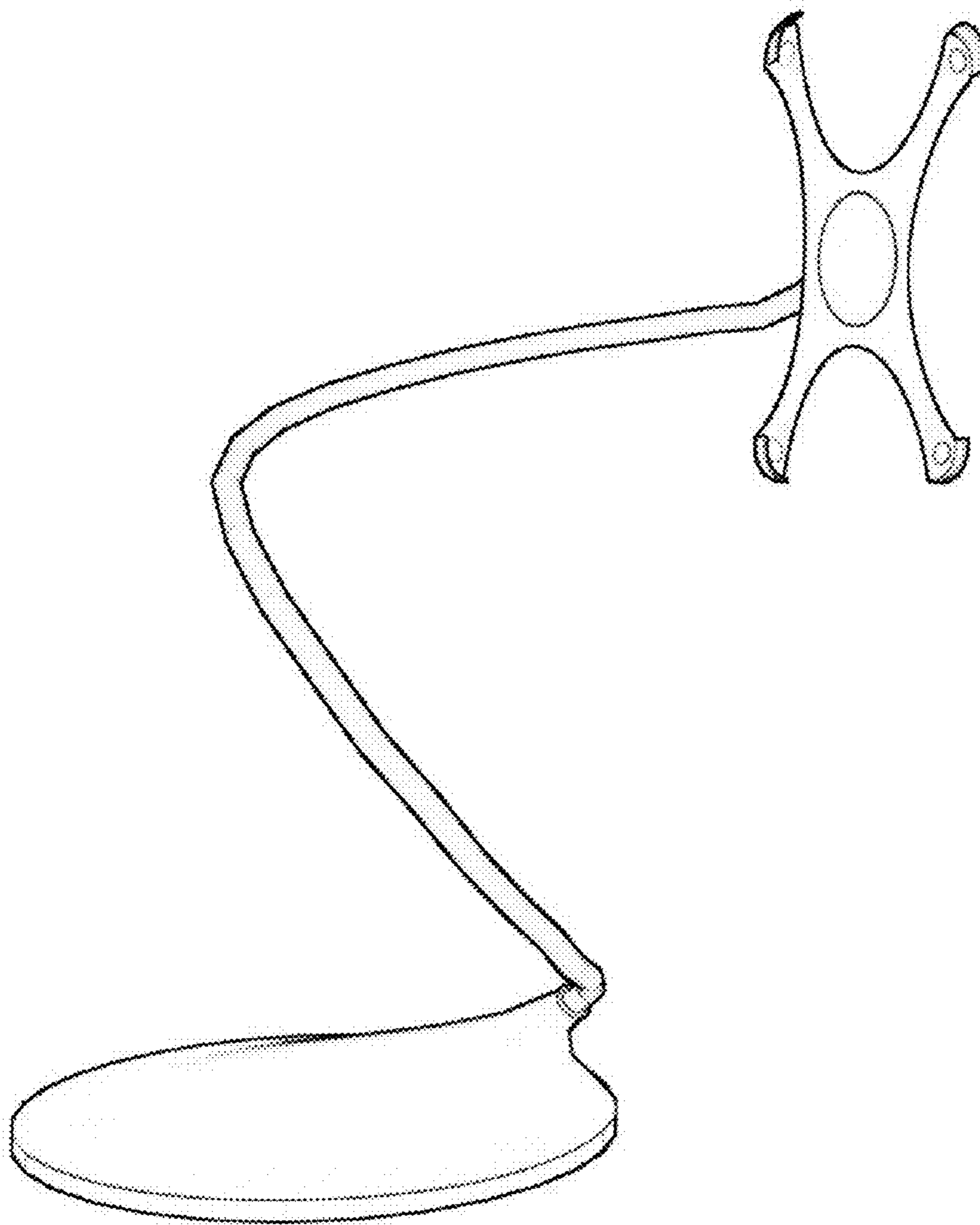


FIG. 16

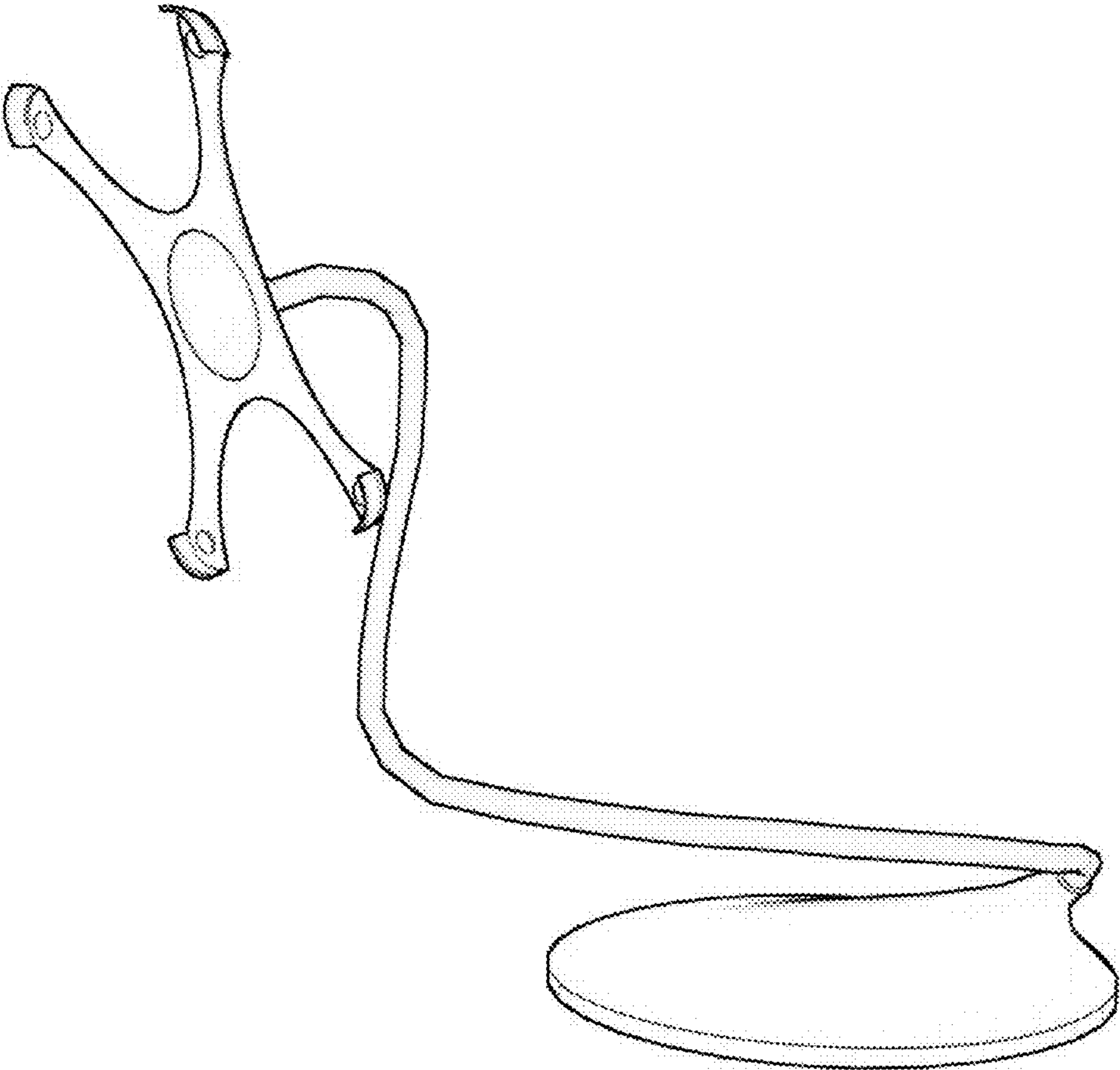


FIG. 17

