



US00D691146S

(12) **United States Design Patent**
Perez

(10) **Patent No.:** **US D691,146 S**
(45) **Date of Patent:** **** Oct. 8, 2013**

(54) **TABLET COMPUTER CASE WITH HANDLE**

(71) Applicant: **Noe Eddie Perez**, Colorado Springs, CO
(US)

(72) Inventor: **Noe Eddie Perez**, Colorado Springs, CO
(US)

(**) Term: **14 Years**

(21) Appl. No.: **29/435,865**

(22) Filed: **Oct. 30, 2012**

(51) **LOC (9) Cl.** **14-02**

(52) **U.S. Cl.**
USPC **D14/440**

(58) **Field of Classification Search**
USPC D14/250, 251, 253, 240, 217, 496,
D14/440, 203.3, 203.4, 203.5, 203.8, 341,
D14/318; D3/218, 215, 201, 294, 289, 900;
220/4.02; 248/309.1; 361/679.56; 379/426,
379/433.11, 455; 455/575.1, 575.8; 190/100;
206/305, 320; D21/469

See application file for complete search history.

(56) **References Cited**

U.S. PATENT DOCUMENTS

D156,107 S * 11/1949 Horton, Jr. et al. D3/276
D279,489 S * 7/1985 Mak D21/469
D338,045 S * 8/1993 Rosen D14/400
D354,947 S * 1/1995 Peart D14/341
D363,511 S * 10/1995 Hui D21/329

D384,980 S * 10/1997 Willems et al. D21/329
D412,317 S * 7/1999 Horiki et al. D14/318
D492,303 S * 6/2004 Schlieffers et al. D14/341
D498,753 S * 11/2004 Yamada D14/328
D516,553 S * 3/2006 Richardson et al. D14/341
D532,822 S * 11/2006 White et al. D19/52
D577,912 S * 10/2008 Sween et al. D3/282
D578,129 S * 10/2008 Weber D14/440
D594,004 S * 6/2009 Takemasa D14/341
D677,891 S * 3/2013 Janus D3/289

* cited by examiner

Primary Examiner — Cynthia Underwood
(74) *Attorney, Agent, or Firm* — Sinorica, LLC

(57) **CLAIM**

The ornamental design for a tablet computer case with handle, as shown and described.

DESCRIPTION

FIG. 1 is a perspective view of a tablet computer case with handle;

FIG. 2 is a front elevational view thereof;

FIG. 3 is a rear elevational view thereof;

FIG. 4 is a right-side elevational view thereof;

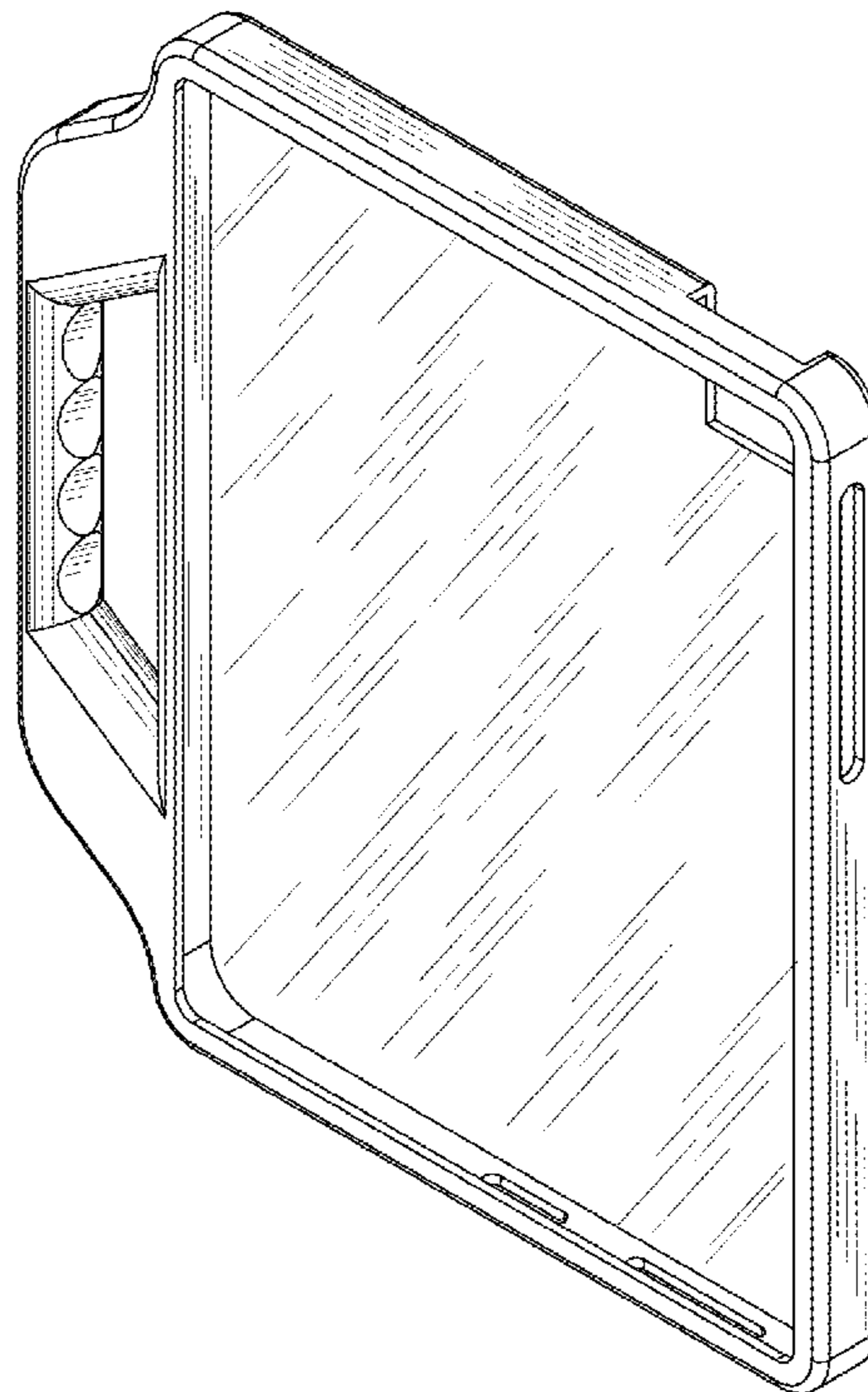
FIG. 5 is a left-side elevational view thereof;

FIG. 6 is a bottom plan view thereof; and,

FIG. 7 is a top plan view thereof.

The broken line showing in FIG. 5-7 is included for the purpose of showing environmental structure and forms no part of the claimed design.

1 Claim, 7 Drawing Sheets



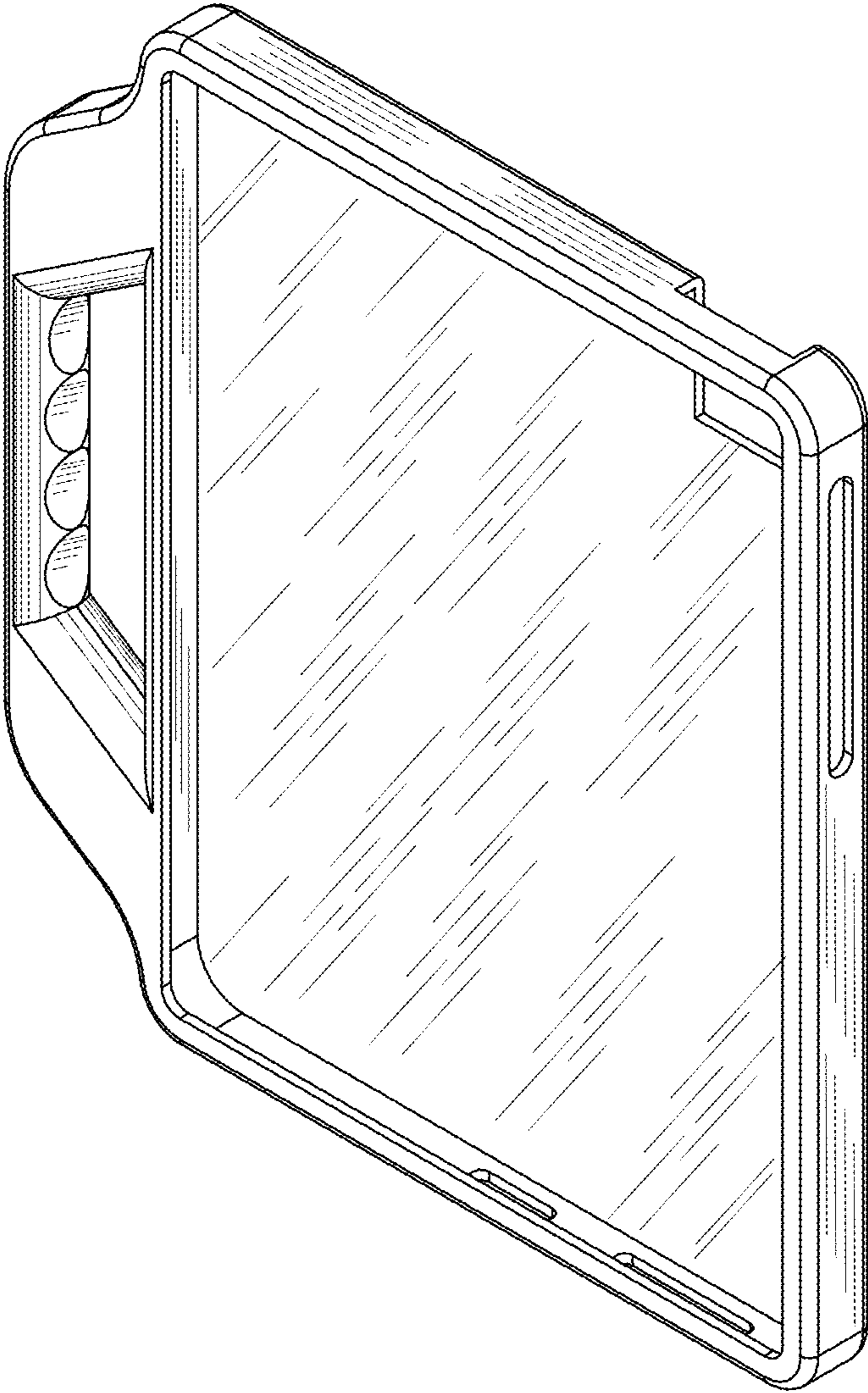


FIG. 1

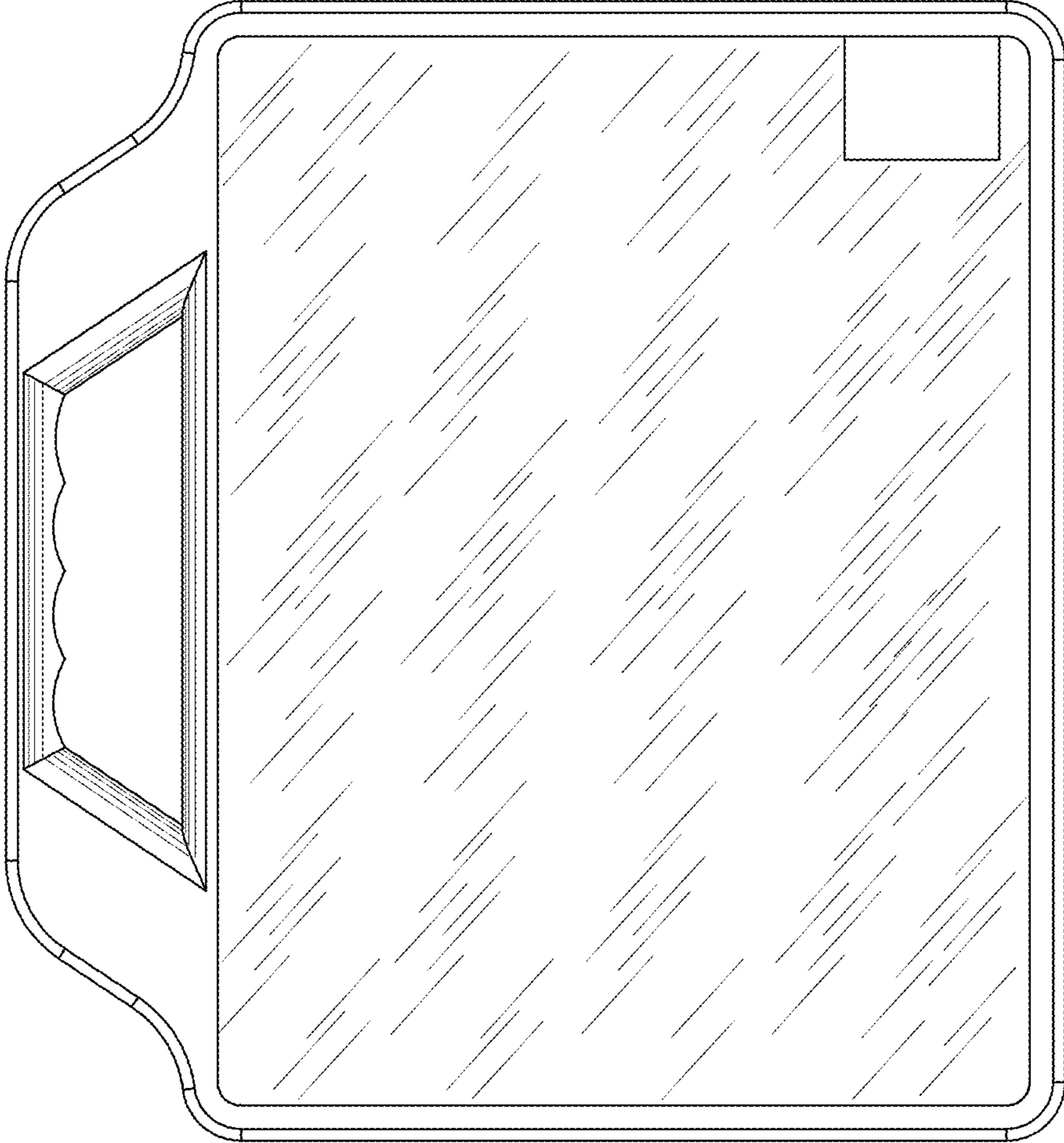


FIG. 2

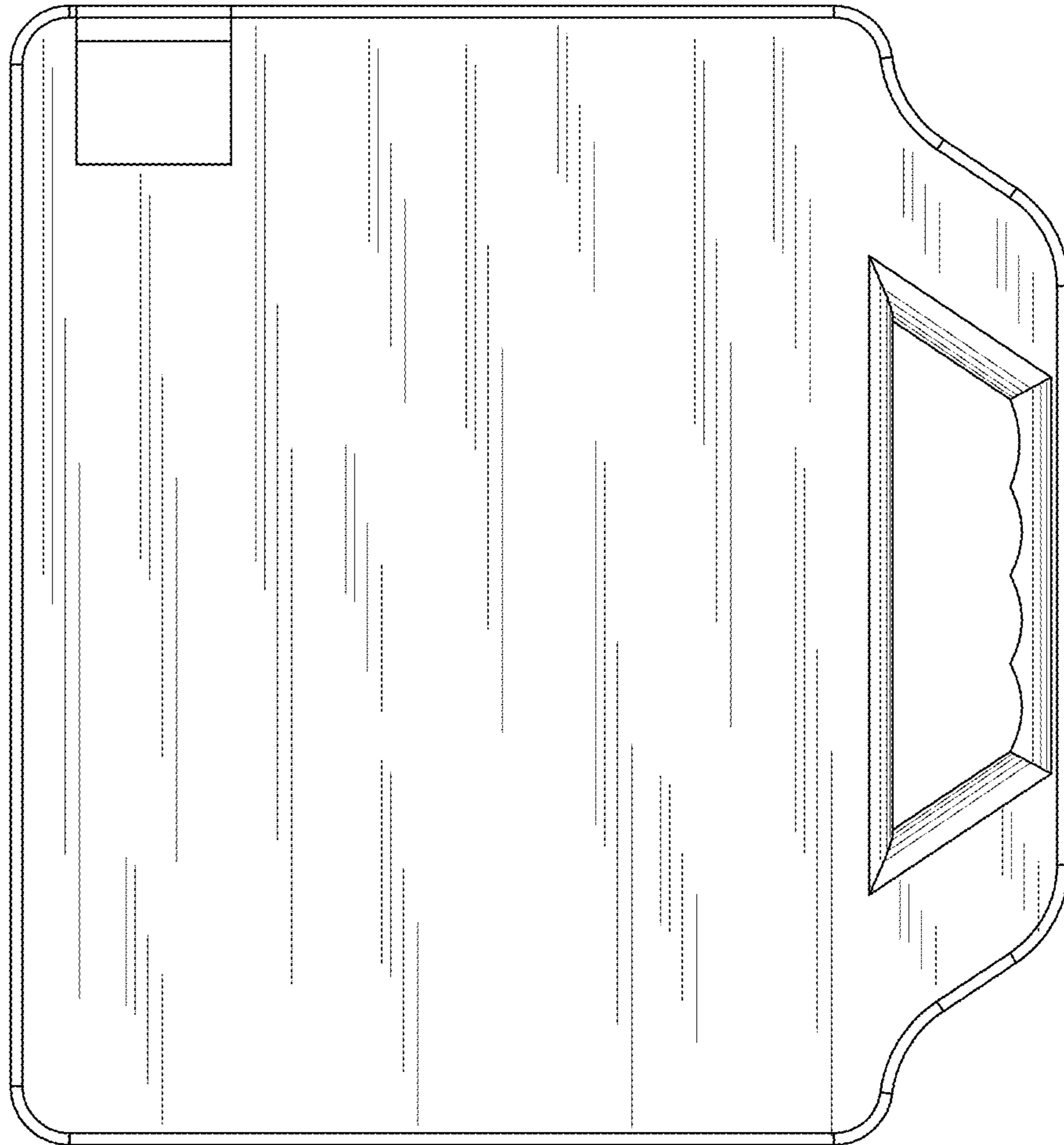


FIG. 3

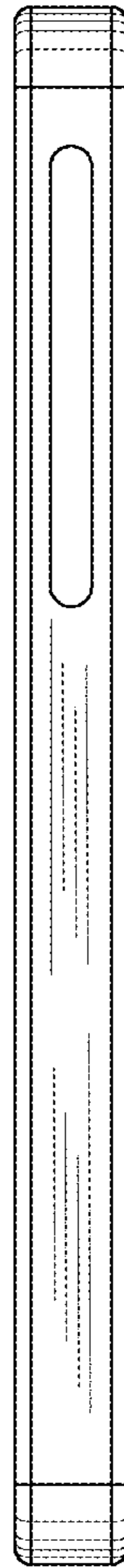


FIG. 4

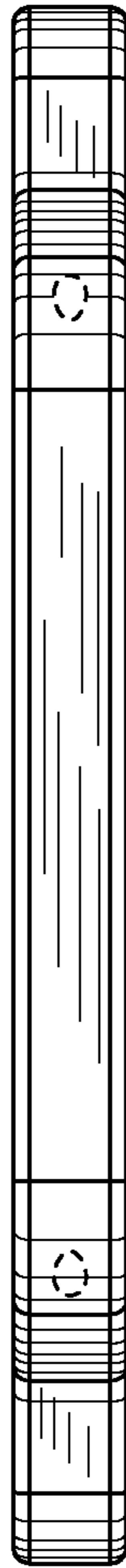


FIG. 5

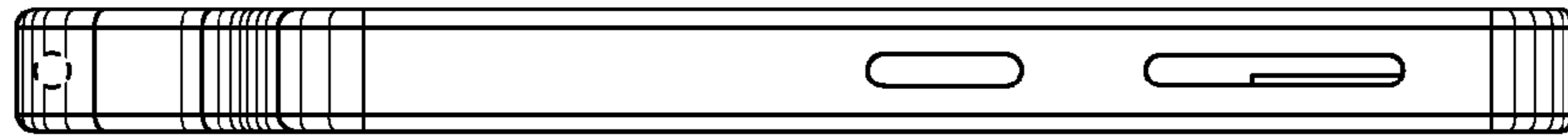


FIG. 6

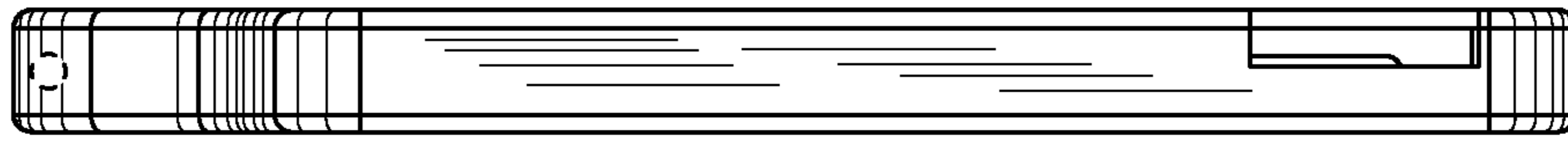


FIG. 7