



US00D691145S

(12) **United States Design Patent**  
**Nam-Su**

(10) **Patent No.:** **US D691,145 S**  
(45) **Date of Patent:** **\*\* Oct. 8, 2013**

(54) **CASE FOR TABLET PC**

(75) Inventor: **Kim Nam-Su**, Seoul (KR)

(73) Assignee: **Samsung Electronics Co., Ltd.**,  
Gyeonggi-do (KR)

(\*\*) Term: **14 Years**

(21) Appl. No.: **29/423,251**

(22) Filed: **May 30, 2012**

(51) **LOC (9) Cl.** ..... **14-02**

(52) **U.S. Cl.**  
USPC ..... **D14/440**

(58) **Field of Classification Search**  
USPC ..... D14/250, 251, 253, 240, 217, 496, 440,  
D14/203.3, 203.4, 203.5, 203.8, 432, 439,  
D14/300; D3/218, 215, 201; 220/4.02;  
248/309.1; 361/679.56, 679.03;  
379/426, 433.11, 455; 455/575.1,  
455/575.8; 190/100; 206/305, 320

See application file for complete search history.

(56) **References Cited**

**U.S. PATENT DOCUMENTS**

D475,709 S \* 6/2003 Tritschler et al. .... D14/396  
D478,623 S \* 8/2003 Wilburn ..... D19/26  
D546,878 S \* 7/2007 Bharna ..... D19/26  
D579,975 S \* 11/2008 Brown ..... D19/26  
7,561,415 B2 \* 7/2009 Liou et al. .... 361/679.26  
D600,699 S \* 9/2009 Johnston et al. .... D14/440  
D601,853 S \* 10/2009 Tzilvelis ..... D7/543

D634,313 S \* 3/2011 Fitzpatrick et al. .... D14/250  
D639,806 S \* 6/2011 Lee et al. .... D14/345  
D648,529 S \* 11/2011 Brown ..... D3/269  
8,054,614 B2 \* 11/2011 Albertini et al. .... 361/679.01  
D658,173 S \* 4/2012 Kim ..... D14/345  
D663,304 S \* 7/2012 Akana et al. .... D14/440  
D664,538 S \* 7/2012 Ryu et al. .... D14/327  
2009/0194209 A1 \* 8/2009 De Filippis et al. .... 150/107  
2010/0300909 A1 \* 12/2010 Hung ..... 206/320  
2012/0211613 A1 \* 8/2012 Yang et al. .... 248/174

\* cited by examiner

*Primary Examiner* — Cynthia Underwood

(74) *Attorney, Agent, or Firm* — Harness, Dickey & Pierce,  
P.L.C.

(57) **CLAIM**

I claim the ornamental design for a case for tablet PC, as shown.

**DESCRIPTION**

FIG. 1 is a front/right-side/top perspective view of a case for tablet PC showing our new design;  
FIG. 2 is a front-side elevational view thereof;  
FIG. 3 is a rear-side elevational view thereof;  
FIG. 4 is a left-side elevational view thereof;  
FIG. 5 is a right-side elevational view thereof;  
FIG. 6 is a top-side elevational view thereof;  
FIG. 7 is a bottom-side elevational view thereof;  
FIG. 8 is the front/left-side/top perspective view showing the front cover is folded to stand by itself; and,  
FIG. 9 is the front/right-side/bottom perspective view showing the front cover is folded other way to stand by itself.

**1 Claim, 8 Drawing Sheets**

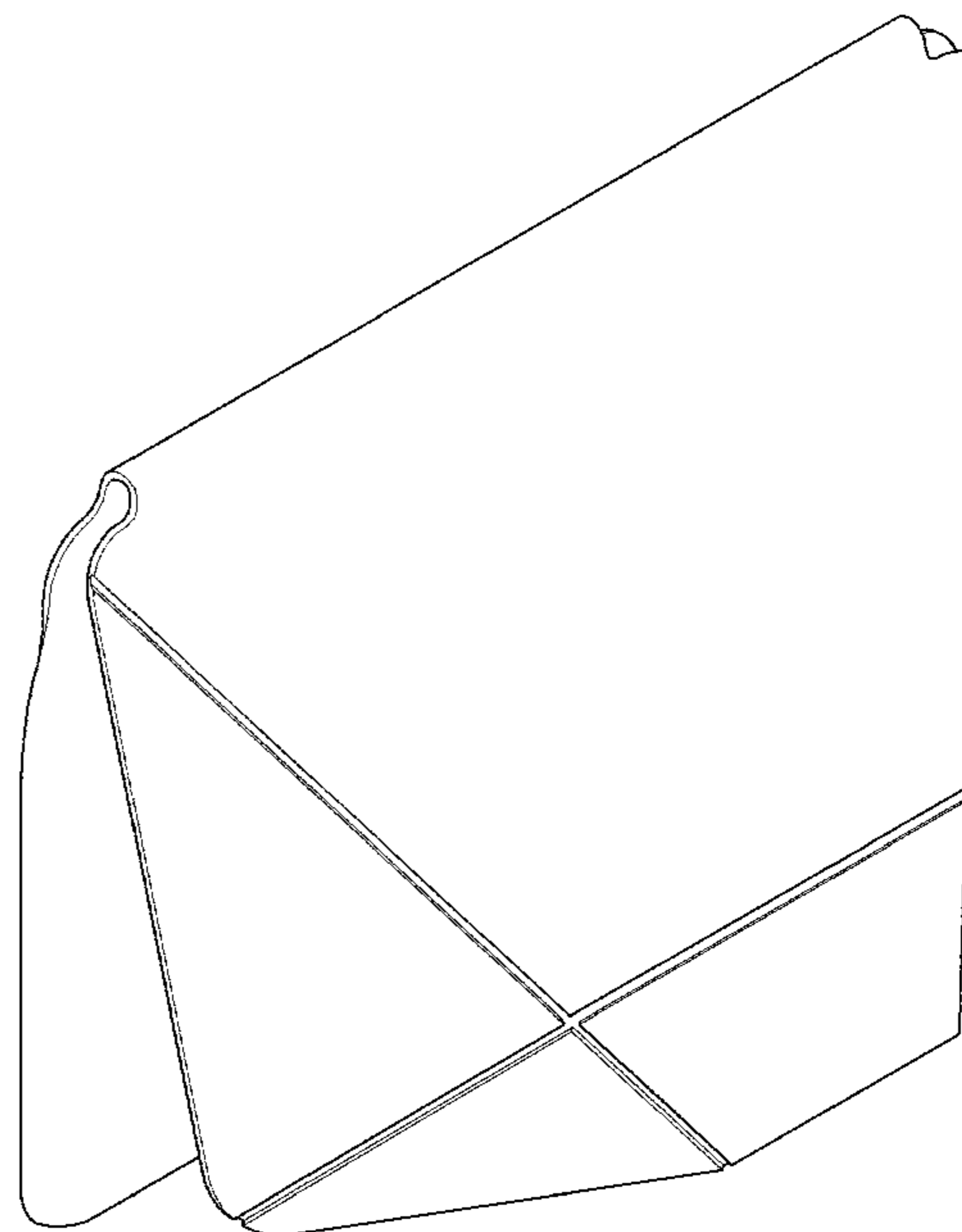
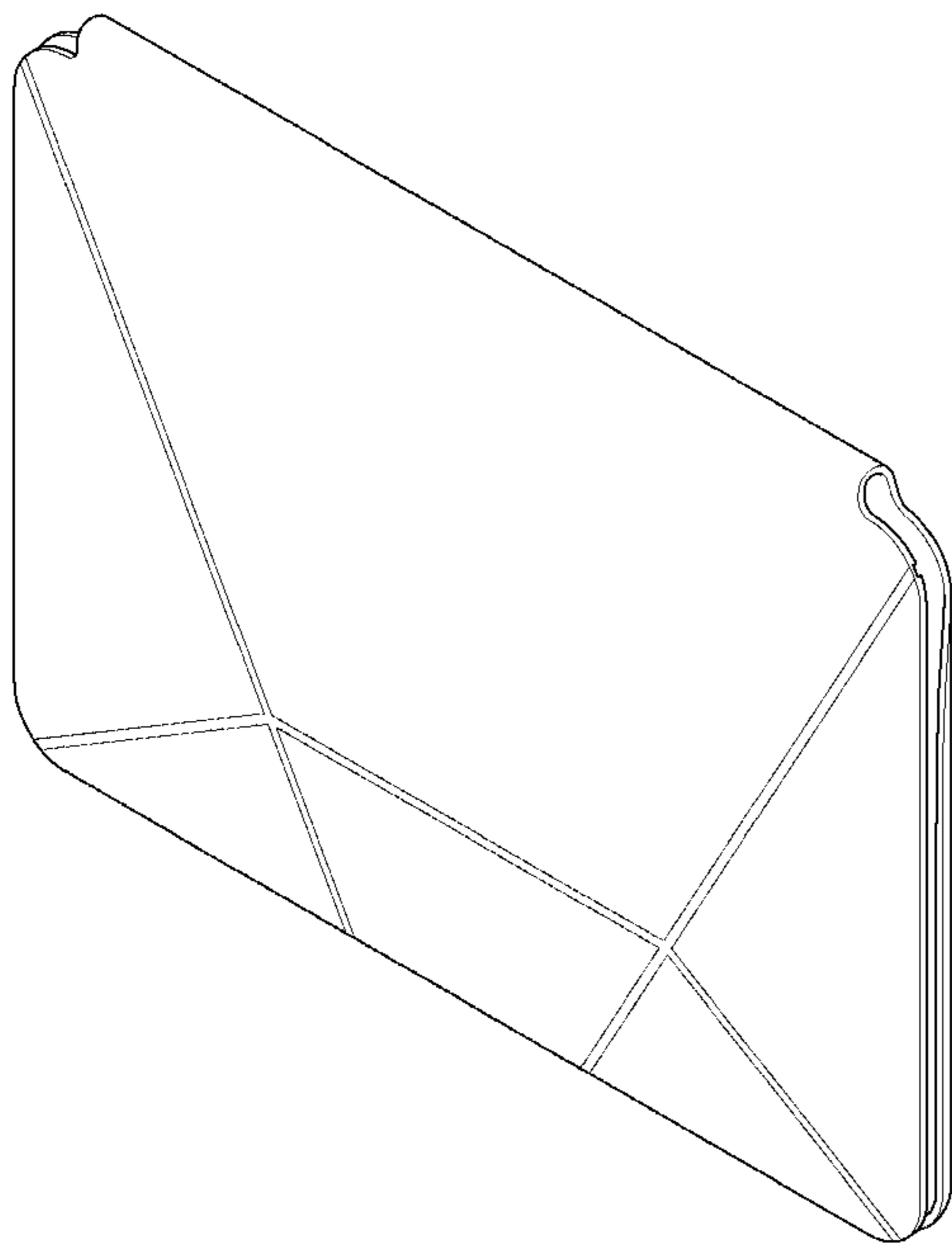


FIG. 1

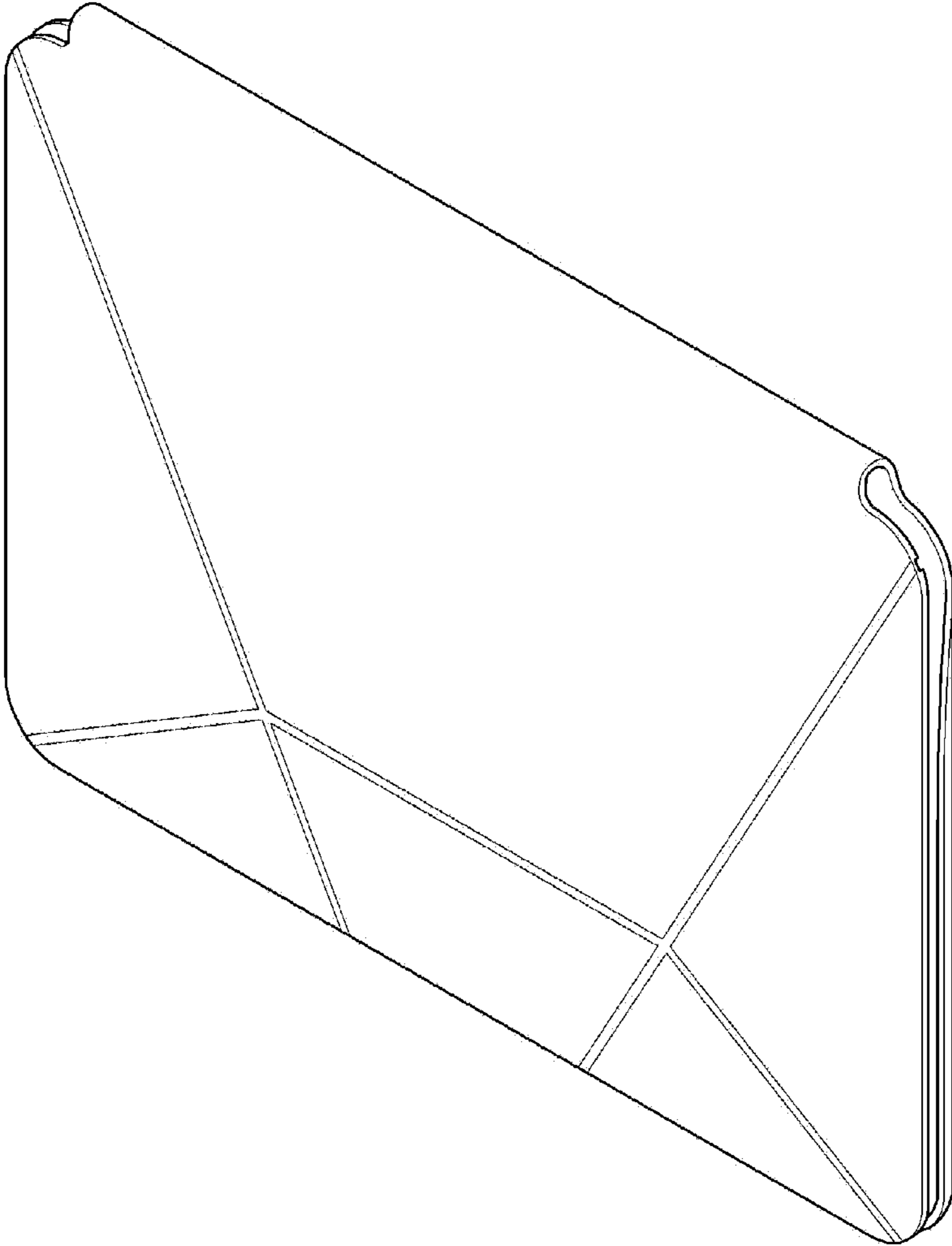


FIG. 2

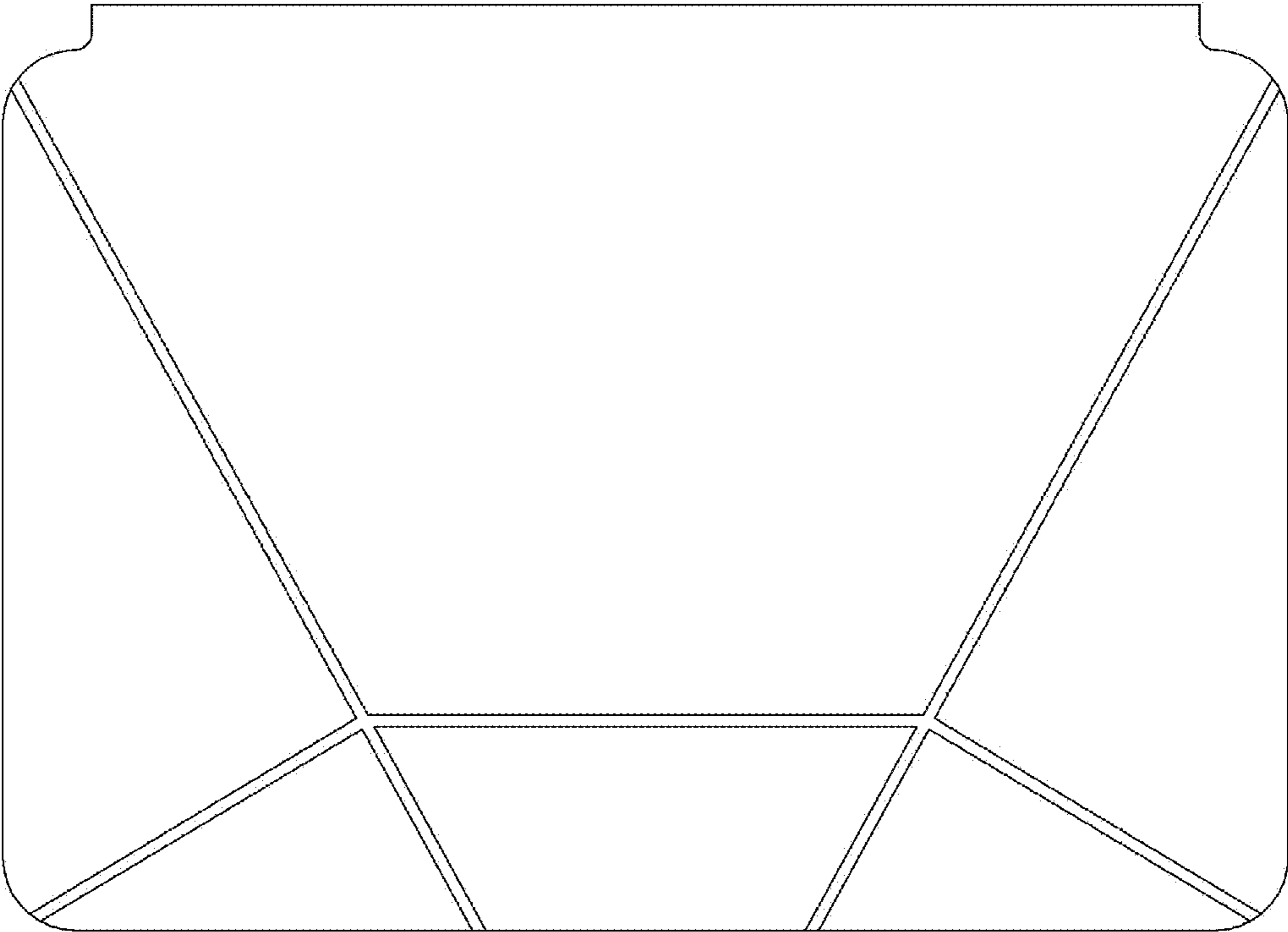


FIG. 3

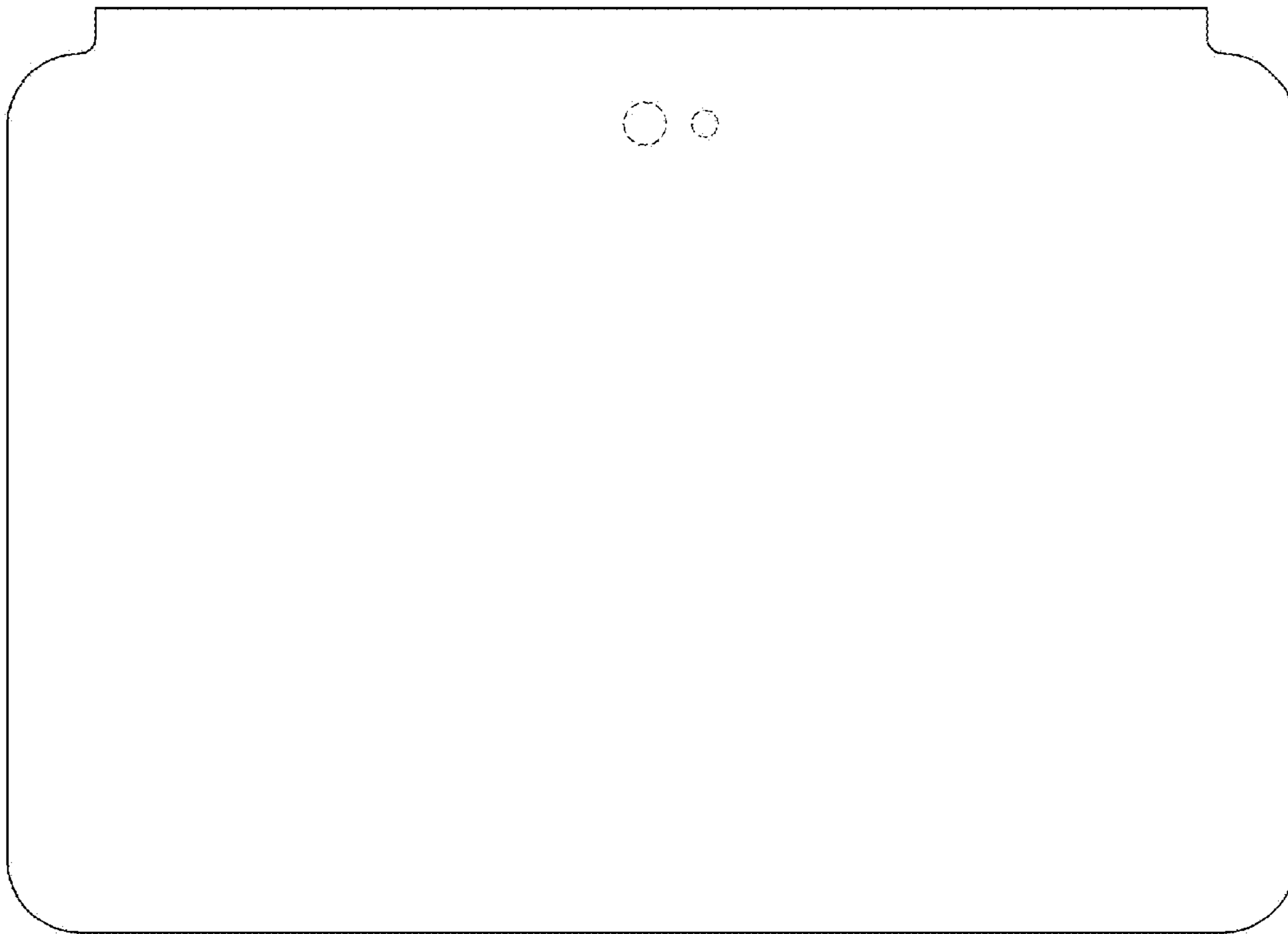


FIG. 4

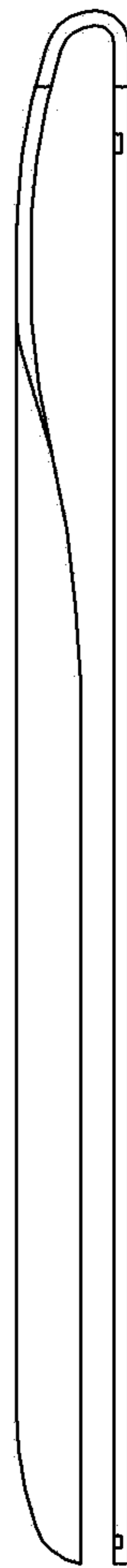


FIG. 5

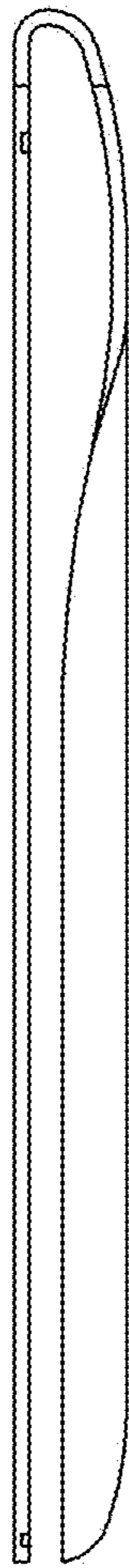


FIG. 6



FIG. 7

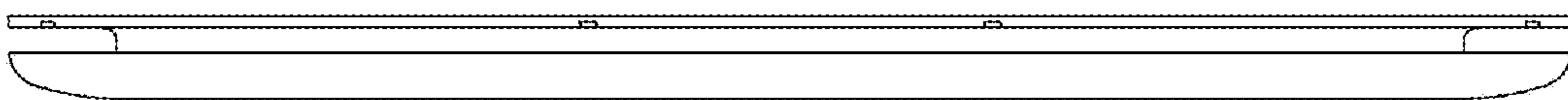


FIG. 8

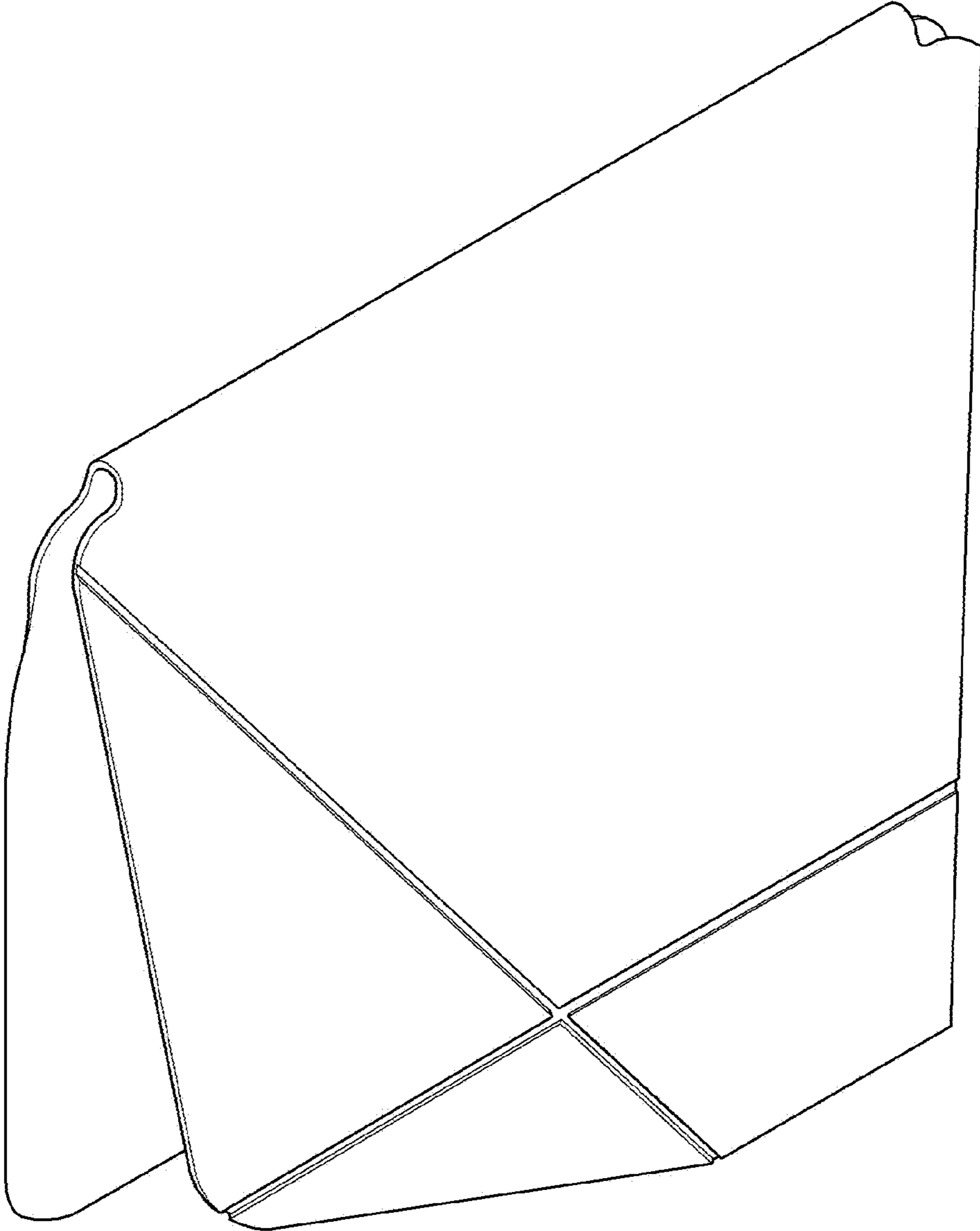




FIG. 9

