

US00D691143S

(12) **United States Design Patent**  
**Diebel**

(10) **Patent No.:** **US D691,143 S**  
(45) **Date of Patent:** **\*\* Oct. 8, 2013**

(54) **COVER FOR ELECTRONIC TABLET**

(75) Inventor: **Markus Diebel**, San Francisco, CA (US)

(73) Assignee: **Incase Designs Corp.**, Chino, CA (US)

(\*\*) Term: **14 Years**

(21) Appl. No.: **29/419,054**

(22) Filed: **Apr. 24, 2012**

**Related U.S. Application Data**

(63) Continuation of application No. 29/388,000, filed on Mar. 22, 2011, now Pat. No. Des. 658,188, and a continuation of application No. 29/387,775, filed on Mar. 17, 2011, now Pat. No. Des. 658,187.

(51) **LOC (9) Cl.** ..... **14-02**

(52) **U.S. Cl.**  
USPC ..... **D14/440**

(58) **Field of Classification Search**

USPC ..... D14/439, 440, 345, 341-344, 346, D14/371, 125-129, 327, 248; 206/320, 576, 206/305, 215, 232, 524, 425, 472, 224, 312, 206/387.13, 307, 387.1, 756; D3/286, 283, D3/295, 273, 303, 247, 215, 245, 232, 900, D3/249, 201, 276, 294, 301, 319, 203.1, 323, D3/227; 224/929; 708/110; 190/109, 100, 190/119, 901; 361/683, 725, 681, 686, 679; 229/87.5, 67.1, 800; 220/522, 4.23; 345/169, 345/104, 156, 168, 173, 179, 672, 174; 150/147, 135; 402/2, 70-79, 500-502; 281/45, 38, 31, 29, 19.1, 34; D19/3, 26, D19/27, 33, 75, 86, 22, 90, 59, 60, 78, 83; D18/7, 17, 18; 383/97, 4, 110; 178/18.03, 178/18.01; 349/12; 428/332; D6/632, 407, D6/596, 601, 310, 611, 502, 583, 582, 595; 248/458; D13/102, 184; D20/18, 27, 42; 40/654.01, 536; D15/122; D21/480, 690; D25/48; D12/401, 182, 203, 400, 191;

D24/205, 206, 200, 188, 207, 212, 215; 280/808; 112/420; 5/420; 604/308; 601/15, 108, 601/112, 60, 64, 70, 71; 160/370.23, 370.21; D7/629, 392.1; D28/7, 8, 83, 84, 82; 15/118; D32/40; 424/443; 442/123; D23/304; D9/435  
See application file for complete search history.

(56) **References Cited**

U.S. PATENT DOCUMENTS

144,315 A 11/1873 Cooper  
640,534 A \* 1/1900 Cheney ..... 165/46  
1,347,839 A 7/1920 Coons  
1,356,593 A 10/1920 Bettiker  
1,659,395 A 2/1928 Douglas

(Continued)

OTHER PUBLICATIONS

Apple Smart Cover Product, Mar. 2, 2011, 36 pages.

(Continued)

*Primary Examiner* — Susan Moon Lee

(74) *Attorney, Agent, or Firm* — Aka Chan LLP

(57) **CLAIM**

The ornamental design for a cover for electronic tablet, as shown and described.

**DESCRIPTION**

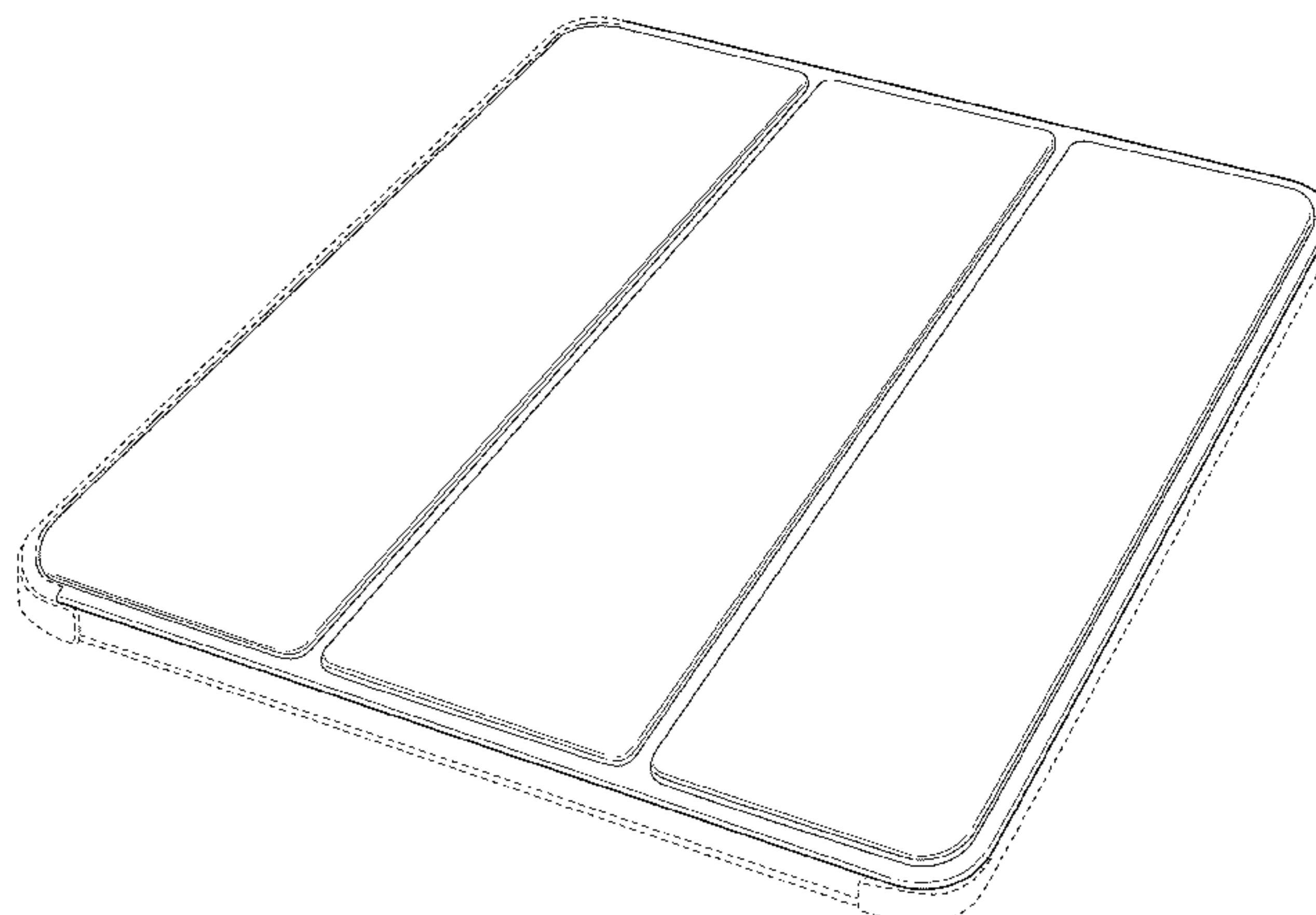
FIG. 1 shows a perspective view of a design for a cover for electronic tablet.

FIG. 2 shows a front view of the design; and,

FIG. 3 shows another front view of the design.

Broken lines and portions contained within broken lines are not claimed. The dot-dash line is used to indicate the boundary of the unclaimed portion.

**1 Claim, 3 Drawing Sheets**



(56)

References Cited

U.S. PATENT DOCUMENTS

1,955,040 A *	4/1934	Wittcoff	297/219.1	4,981,386 A *	1/1991	Beleckis	402/73
D104,699 S	5/1937	Pilliod		5,000,319 A	3/1991	Mermelstein	
D123,984 S	12/1940	Pichel		5,005,374 A *	4/1991	Spitler	62/259.3
2,279,164 A	4/1942	Gettleman		D317,329 S	6/1991	Annand	
D137,864 S	5/1944	Jolles		D318,372 S	7/1991	Mackey	
D164,628 S	9/1951	Davis		D319,016 S	8/1991	Kahl	
2,596,292 A *	5/1952	Sackner	428/171	D320,274 S	9/1991	Douglas	
D167,065 S	6/1952	Bohanan		5,044,030 A *	9/1991	Balaton	5/710
D167,743 S	9/1952	Dorfman		D321,091 S	10/1991	Dickinson	
2,631,046 A	3/1953	Stephens		D321,761 S	11/1991	Shimizu	
2,675,807 A *	4/1954	Pursel	607/95	5,066,158 A	11/1991	Huang	
2,738,834 A *	3/1956	Jaffe et al.	5/420	5,092,354 A	3/1992	Pacelli, Jr.	
2,834,703 A	5/1958	Atkinson		D325,637 S	4/1992	O'Brien	
2,834,970 A *	5/1958	Nappe	5/420	D327,046 S	6/1992	Eskandry	
2,983,431 A	5/1961	Turan		D329,747 S	9/1992	Embree	
3,015,834 A	1/1962	Marrinson		5,143,341 A *	9/1992	Juster	248/444
D192,953 S *	5/1962	Zelony	D24/207	D331,191 S	11/1992	Ventola	
3,061,844 A *	11/1962	Coursey	5/640	5,179,944 A	1/1993	McSymtzt	
3,069,203 A *	12/1962	Propus	297/452.43	5,228,655 A *	7/1993	Garcia et al.	248/118
3,257,128 A	6/1966	Schneider		D341,373 S	11/1993	Stern	
3,336,610 A	8/1967	Geddings		D342,790 S *	12/1993	Zona	D24/207
3,427,020 A *	2/1969	Montour et al.	482/105	D344,590 S *	2/1994	Greene	D24/207
3,459,179 A *	8/1969	Olesen	601/134	D345,014 S	3/1994	Huffman	
3,460,744 A	8/1969	Turkenkopf		5,333,336 A *	8/1994	Langsam	5/654
3,568,227 A *	3/1971	Dunham	5/655.3	D352,357 S	11/1994	Ashley	
3,587,578 A	6/1971	Walker		D356,120 S	3/1995	Allen	
D222,602 S	11/1971	Petrie		5,431,449 A	7/1995	Arimoto	
3,735,516 A	5/1973	Wenstrom		D360,778 S	8/1995	Apt, III et al.	
3,758,065 A	9/1973	Ranseen		5,439,101 A	8/1995	Brink et al.	
3,797,146 A	3/1974	Holes		D362,578 S *	9/1995	Ackley	D6/601
D232,825 S	9/1974	Gerber		5,450,858 A	9/1995	Zablotsky	
3,900,035 A *	8/1975	Welch et al.	607/108	D364,191 S	11/1995	Allen	
3,970,332 A	7/1976	Alford, Jr.		5,480,192 A	1/1996	Angerbauer	
D245,458 S	8/1977	Hauss		5,487,566 A	1/1996	Hedge, Jr.	
4,044,942 A	8/1977	Sherwood		D369,998 S	5/1996	Eskandry	
D251,082 S	2/1979	Petrie		D370,177 S	5/1996	Bankier	
4,197,342 A *	4/1980	Bethe	428/159	D370,650 S	6/1996	Eskandry	
D255,523 S	6/1980	Yarabinec		D371,929 S *	7/1996	Nilsson	D6/603
D255,524 S	6/1980	Yarabinec		5,566,871 A	10/1996	Weintraub	
D258,723 S	3/1981	Cornou		5,653,195 A *	8/1997	Young	119/526
4,310,117 A	1/1982	Gullett		D383,213 S	9/1997	Ingram	
D268,696 S *	4/1983	Bowen	D24/207	D389,509 S	1/1998	Yasoshima	
4,389,742 A *	6/1983	DeWitt	5/654	D389,646 S	1/1998	Sankey	
D274,493 S	7/1984	Dyby		D390,007 S	2/1998	Ahern, Jr.	
D275,153 S	8/1984	Weinreb		D391,298 S	2/1998	Johnson	
4,520,958 A	6/1985	Jones		D405,200 S	2/1999	Hines	
4,566,720 A	1/1986	Goldman		D406,463 S	3/1999	Rutledge	
D283,231 S	4/1986	Bradenburger		5,887,723 A	3/1999	Myles et al.	
4,586,506 A *	5/1986	Nangle	607/112	5,902,256 A	5/1999	Benaron	
4,592,358 A	6/1986	Westplate		D411,353 S	6/1999	Dickinson	
4,621,729 A	11/1986	Jackson		5,911,657 A *	6/1999	Meiners	5/710
4,629,070 A	12/1986	Roberg		5,996,778 A	12/1999	Shih	
4,630,863 A *	12/1986	Roberts	297/219.1	D418,867 S	1/2000	Platte, III	
4,643,544 A	2/1987	Loughran		6,058,535 A *	5/2000	Firkins et al.	5/653
D290,654 S *	6/1987	Ohnishi	D24/206	6,058,536 A *	5/2000	Henry	5/691
4,671,334 A	6/1987	Yadegar		6,122,785 A	9/2000	Bondie	
D290,918 S *	7/1987	Ball et al.	D6/603	D432,477 S	10/2000	Gorodetsky	
4,679,848 A *	7/1987	Spierings	297/230.14	6,132,455 A *	10/2000	Shang	607/108
4,693,495 A	9/1987	LaPointe		D435,171 S	12/2000	Anderson	
D293,428 S	12/1987	Watts		D436,179 S	1/2001	Small	
D296,006 S	5/1988	Asche		D442,321 S	5/2001	Cheng	
D297,228 S	8/1988	Harpaz		D445,744 S	7/2001	Hsing	
4,787,766 A	11/1988	Lorsch		D446,982 S	8/2001	Block	
4,824,171 A *	4/1989	Hollingsworth	297/351	6,289,968 B1	9/2001	Karten	
4,854,319 A *	8/1989	Tobin	607/109	D449,927 S	11/2001	Dorizas	
4,877,074 A	10/1989	Castellano		6,427,371 B2	8/2002	Olson	
4,880,327 A *	11/1989	Sanabria	402/73	6,493,969 B2	12/2002	Devos	
D306,850 S	3/1990	Beedy		D468,868 S	1/2003	Thorpe	
D308,760 S	6/1990	King		6,527,330 B1	3/2003	Steffens	
D310,987 S	10/1990	Law		D473,939 S	4/2003	Hantke	
D312,130 S	11/1990	Jones		D473,940 S	4/2003	Hantke	
D312,214 S	11/1990	Hodge		6,539,653 B1	4/2003	Finke	
4,969,683 A *	11/1990	Wallace et al.	297/250.1	6,568,005 B2	5/2003	Fleming	
D312,835 S	12/1990	Holm		D480,971 S	10/2003	Deluca	
D313,964 S	1/1991	Fuller		6,634,691 B2	10/2003	Henderson	
				D484,736 S	1/2004	Sarnoff	
				D487,521 S	3/2004	Link	
				D487,551 S	3/2004	Lee	
				6,702,359 B2	3/2004	Armstrong	



# US D691,143 S

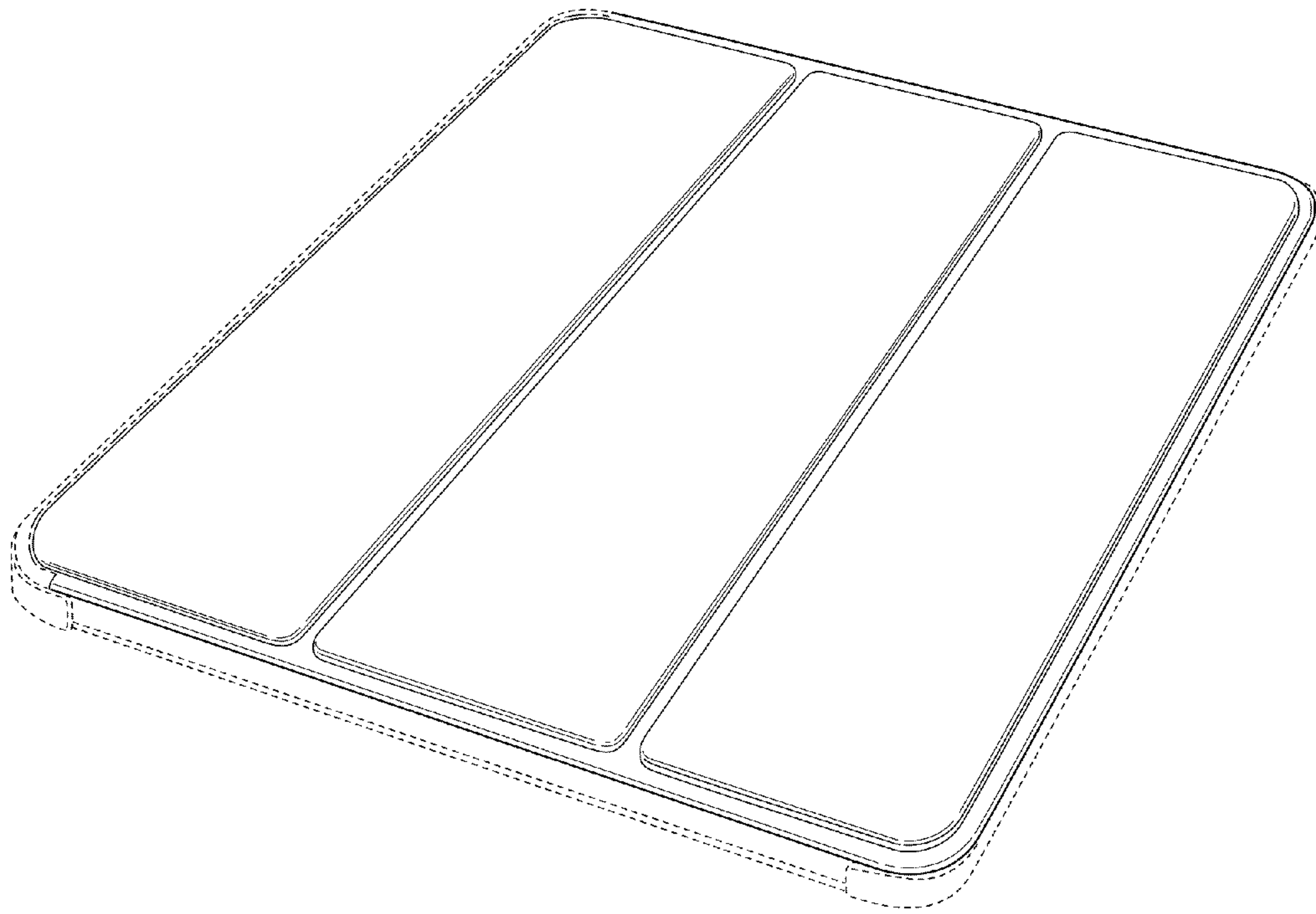
Page 3

6,763,942 B1	7/2004	Yeh	7,643,274 B2	1/2010	Bekele
D494,469 S	8/2004	Solowiejko	D609,358 S *	2/2010	Yim ..... D24/206
6,772,879 B1	8/2004	Domotor	D609,360 S	2/2010	Yim
D496,322 S	9/2004	Farney	D609,912 S	2/2010	Kyono
D498,308 S	11/2004	Mock	D613,062 S	4/2010	Romero
D505,041 S	5/2005	Lesosky	D613,982 S	4/2010	Wilson
D511,838 S	11/2005	Vedra	D616,930 S	6/2010	Engel
D521,553 S	5/2006	Sterman	7,735,644 B2	6/2010	Sirichai et al.
7,036,162 B1 *	5/2006	Gatten ..... 5/421	D620,122 S	7/2010	Cotton
7,037,021 B2	5/2006	Raschke	D620,877 S	8/2010	Rusher
7,038,909 B1 *	5/2006	Chen ..... 361/679.48	D622,061 S	8/2010	Higginson
7,065,814 B2 *	6/2006	Rutkowski ..... 5/655	D623,940 S	9/2010	Ianello
D527,535 S	9/2006	Sturba	D624,615 S	9/2010	Kusmierz
D528,707 S *	9/2006	Deioma ..... D30/118	7,799,063 B2 *	9/2010	Ingram et al. .... 607/104
D538,096 S	3/2007	Bartell	D627,078 S	11/2010	Matsuo
D538,575 S	3/2007	Bartell	D627,117 S	11/2010	Hale
D544,922 S	6/2007	Shaffer	D627,775 S	11/2010	Li
D548,782 S	8/2007	Nash	D628,004 S	11/2010	Moorefield
D550,137 S	9/2007	Kraines	D628,132 S	11/2010	Grzyb et al.
D551,265 S	9/2007	Brinson	D628,197 S	11/2010	Li
D553,410 S	10/2007	Kramer	D628,705 S	12/2010	Usui
D557,347 S	12/2007	Nishimoto	D628,706 S	12/2010	Usui
7,318,521 B2	1/2008	Lau	D629,914 S	12/2010	Hunter
7,322,063 B2	1/2008	Esimai	D631,912 S	2/2011	Epstein
D560,947 S *	2/2008	Kreucher ..... D6/601	D632,660 S	2/2011	Donowho
D564,223 S	3/2008	Messineo	D633,388 S	3/2011	Andre
D565,196 S	3/2008	Mock	D633,673 S	3/2011	McKnight
D566,111 S	4/2008	Nakagawa	D633,879 S	3/2011	Heng
D572,709 S	7/2008	Nakagawa	D635,135 S	3/2011	Li
D574,962 S	8/2008	Atkins	D635,564 S	4/2011	Li
7,435,103 B2	10/2008	Ma	D637,399 S	5/2011	Romero
D581,857 S	12/2008	Bogard	D638,526 S	5/2011	Newman
D581,859 S	12/2008	Bogard	D638,627 S	5/2011	Romero
D581,865 S	12/2008	Koza	D640,089 S	6/2011	Green
D582,047 S	12/2008	Yim	D641,720 S	7/2011	Heng
D582,475 S	12/2008	Guest	7,980,526 B2 *	7/2011	Lord et al. .... 248/444
D583,479 S	12/2008	Yim	8,042,241 B2 *	10/2011	McConnell et al. .... 29/91.1
D583,959 S	12/2008	Yim	8,070,220 B2 *	12/2011	Reeb et al. .... 297/184.15
D584,141 S	1/2009	Smith	D656,235 S *	3/2012	Howell ..... D24/207
D584,612 S	1/2009	Ianello	D657,832 S *	4/2012	Beber et al. .... D21/683
D584,911 S *	1/2009	Hisey et al. .... D6/601	2003/0104036 A1	6/2003	Gregoire
D587,797 S	3/2009	Blanchard	2003/0121116 A1 *	7/2003	Keck et al. .... 15/104.94
D587,812 S	3/2009	Uchiyama	2005/0001021 A1	1/2005	Hutchinson
D592,402 S	5/2009	Ahlgrim	2005/0021114 A1	1/2005	Hidaka
7,537,192 B2 *	5/2009	Al-Haleem et al. .... 248/459	2005/0246851 A1	11/2005	Cline
D596,305 S	7/2009	Usui	2007/0110495 A1 *	5/2007	Willat et al. .... 401/6
D597,302 S	8/2009	Adams	2007/0182152 A1 *	8/2007	David ..... 281/15.1
D599,286 S	9/2009	Horito	2008/0061207 A1 *	3/2008	Panziera et al. .... 248/346.01
D599,484 S	9/2009	Gray	2008/0167095 A1	7/2008	Kim
D599,761 S	9/2009	Birsel	2009/0000169 A1	1/2009	Houssain
D599,959 S	9/2009	Washington	2009/0017883 A1	1/2009	Lin
D600,699 S	9/2009	Johnston et al.	2009/0159763 A1	6/2009	Kim
7,584,841 B2	9/2009	Chan et al.	2009/0194209 A1	8/2009	De Filippis et al.
D601,369 S	10/2009	Mock	2010/0122924 A1	5/2010	Andrews
D602,598 S	10/2009	Yim	2010/0294909 A1	11/2010	Hauser et al.
D603,906 S	11/2009	Miller			
D604,463 S *	11/2009	Pittman ..... D30/199			
D604,727 S	11/2009	Chu			
D605,940 S	12/2009	Lin			
D606,119 S	12/2009	Miller			
D606,120 S	12/2009	Miller			
D606,121 S	12/2009	Miller			
D607,253 S	1/2010	McCammon			

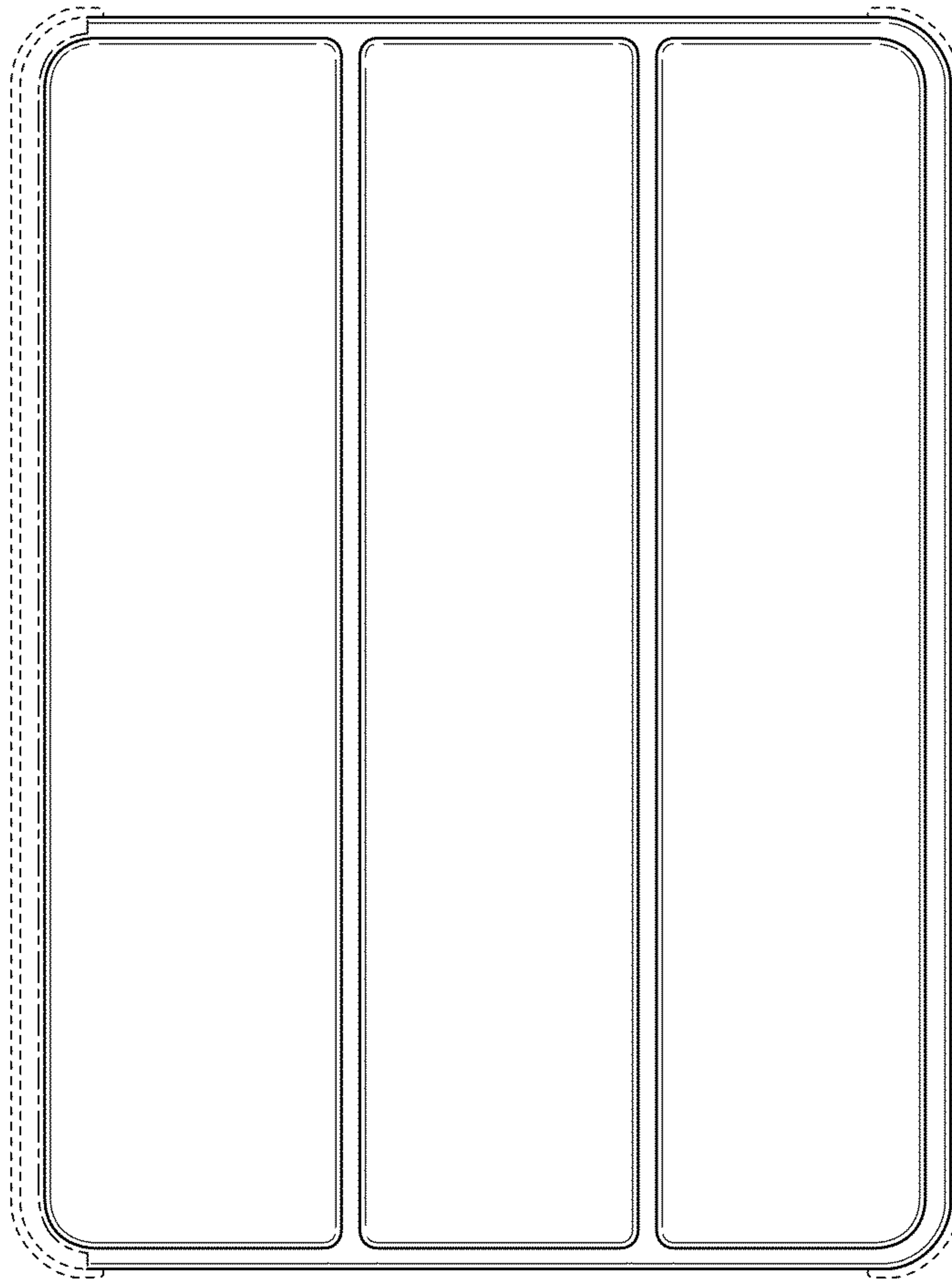
## OTHER PUBLICATIONS

Speck PixelSkin HD Wrap Product, Mar. 15, 2011, 4 pages.  
 Speck CandyShell Wrap Product, Jan. 25, 2011, 10 pages.  
 Apple iPad Case Product, Mar. 15, 2010, 12 pages.

\* cited by examiner



**FIG. 1**



**FIG. 2**

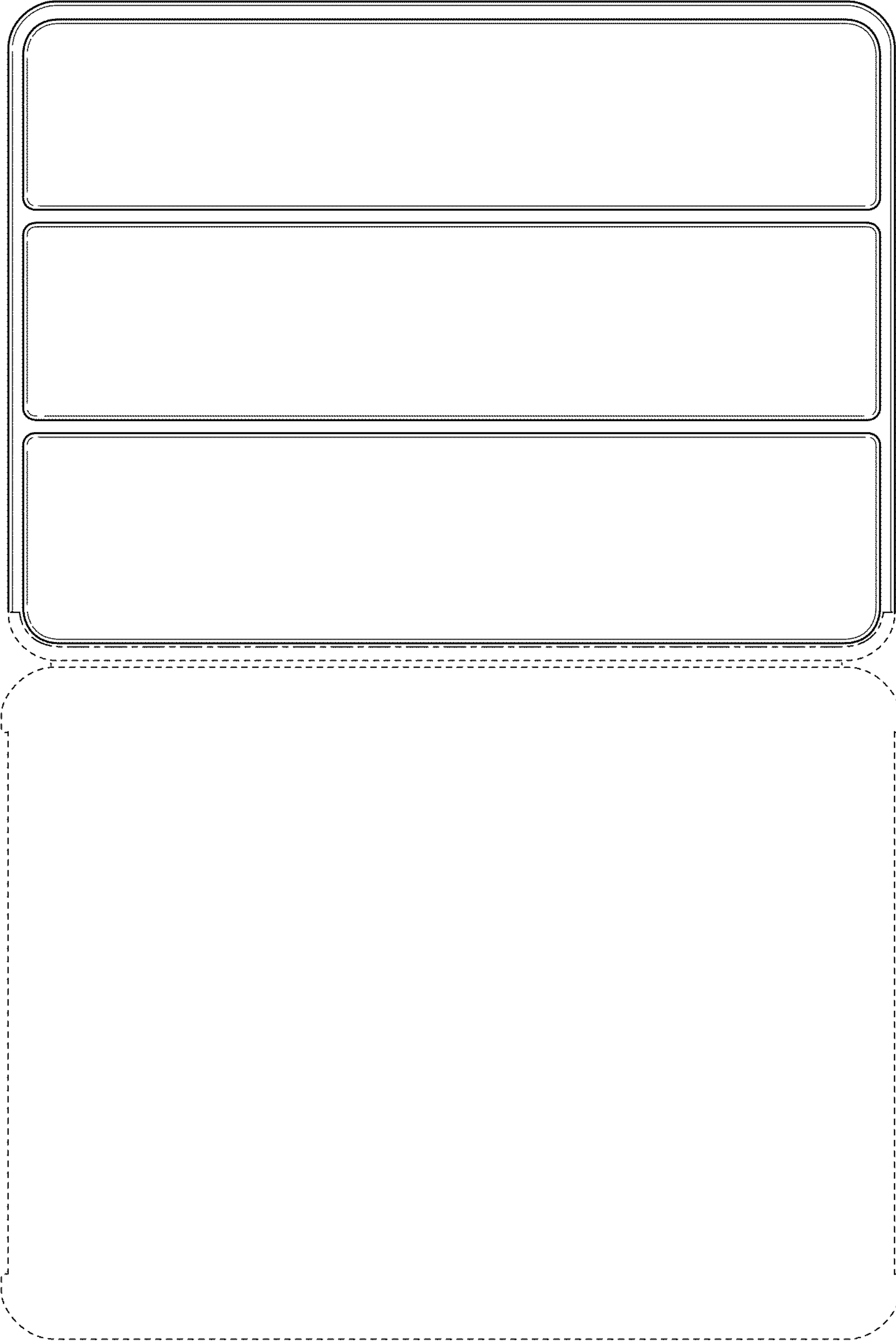


FIG. 3