



US00D691141S

(12) **United States Design Patent**  
**Cruz**

(10) **Patent No.:** **US D691,141 S**  
(45) **Date of Patent:** **\*\* Oct. 8, 2013**

(54) **ELECTRONIC TABLET HOUSING WITH  
CARD READER**

(75) Inventor: **Michael Cruz**, Homestead, FL (US)

(73) Assignee: **Spartadata LLC.**, Homestead, FL (US)

(\*\*) Term: **14 Years**

(21) Appl. No.: **29/399,653**

(22) Filed: **Aug. 17, 2011**

(51) **LOC (9) Cl.** ..... **14-02**

(52) **U.S. Cl.**

USPC ..... **D14/439**; D14/385; D14/307

(58) **Field of Classification Search**

USPC ..... D14/356–358, 383–385, 420, 426,  
D14/427, 432–439, 447, 453, 454, 217, 253,  
D14/299, 307; D13/107, 108, 133, 146,  
D13/147, 152, 154, 156, 158, 162, 162.1,  
D13/168, 173, 177, 102; 235/441, 451, 492,  
235/380, 439, 375; 361/679.31, 600, 679.01,  
361/679.02

See application file for complete search history.

(56) **References Cited**

**U.S. PATENT DOCUMENTS**

D348,449 S \* 7/1994 Rodd et al. .... D14/374  
D357,495 S \* 4/1995 Skaggs et al. .... D18/12.3  
D360,196 S \* 7/1995 Cox et al. .... D18/4.5  
D403,670 S \* 1/1999 Liao ..... D14/375

D436,630 S \* 1/2001 Gonsiorowski et al. .... D20/10  
D483,034 S \* 12/2003 Yanagisawa et al. .... D14/371  
D493,816 S \* 8/2004 Butler ..... D18/4.6  
6,773,351 B2 \* 8/2004 Brown ..... 463/43  
D504,892 S \* 5/2005 Chen et al. .... D14/375  
D566,703 S \* 4/2008 Malone et al. .... D14/307  
D595,252 S \* 6/2009 Schuler Thorne et al. ... D14/129  
7,546,957 B2 \* 6/2009 Melnik et al. .... 235/485  
D659,142 S \* 5/2012 McQueen et al. .... D14/421  
D669,048 S \* 10/2012 List et al. .... D14/129  
D669,464 S \* 10/2012 Birgeoglu ..... D14/307  
8,317,088 B2 \* 11/2012 Yoneda ..... 235/379  
8,365,868 B2 \* 2/2013 Johnson et al. .... 186/52

\* cited by examiner

*Primary Examiner* — Austin Murphy

(74) *Attorney, Agent, or Firm* — Sanchelima & Associates,  
P.A.

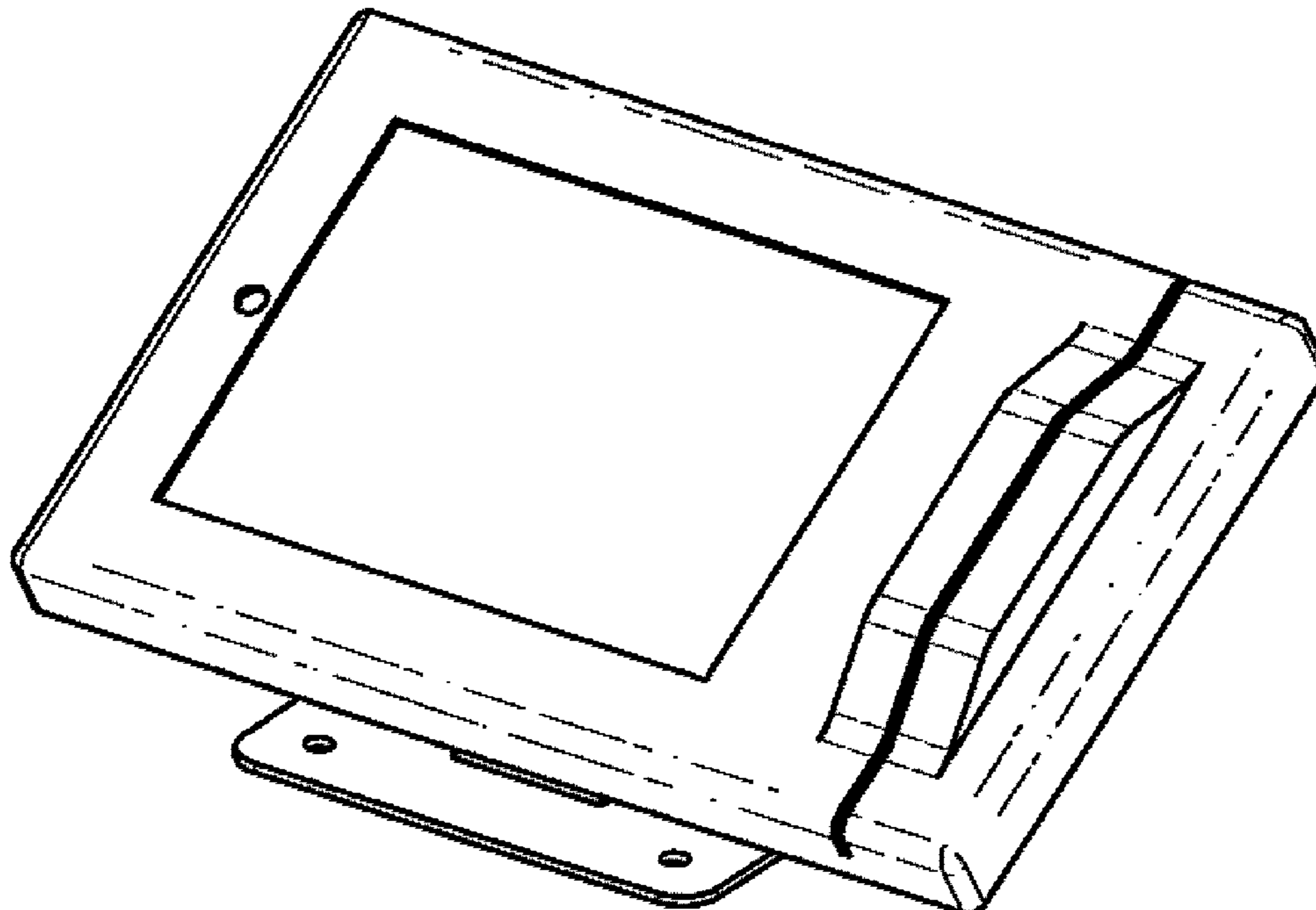
(57) **CLAIM**

The ornamental design for an electronic tablet housing with  
card reader, as shown and described.

**DESCRIPTION**

FIG. 1 is an isometric view of an electronic tablet housing  
with card reader showing my new design;  
FIG. 2 is a front elevational view thereof;  
FIG. 3 is a top plan view thereof;  
FIG. 4 is a bottom plan view thereof;  
FIG. 5 is a left elevational view thereof;  
FIG. 6 is a right side elevational view thereof; and,  
FIG. 7 is a rear elevational view thereof showing my design.

**1 Claim, 2 Drawing Sheets**



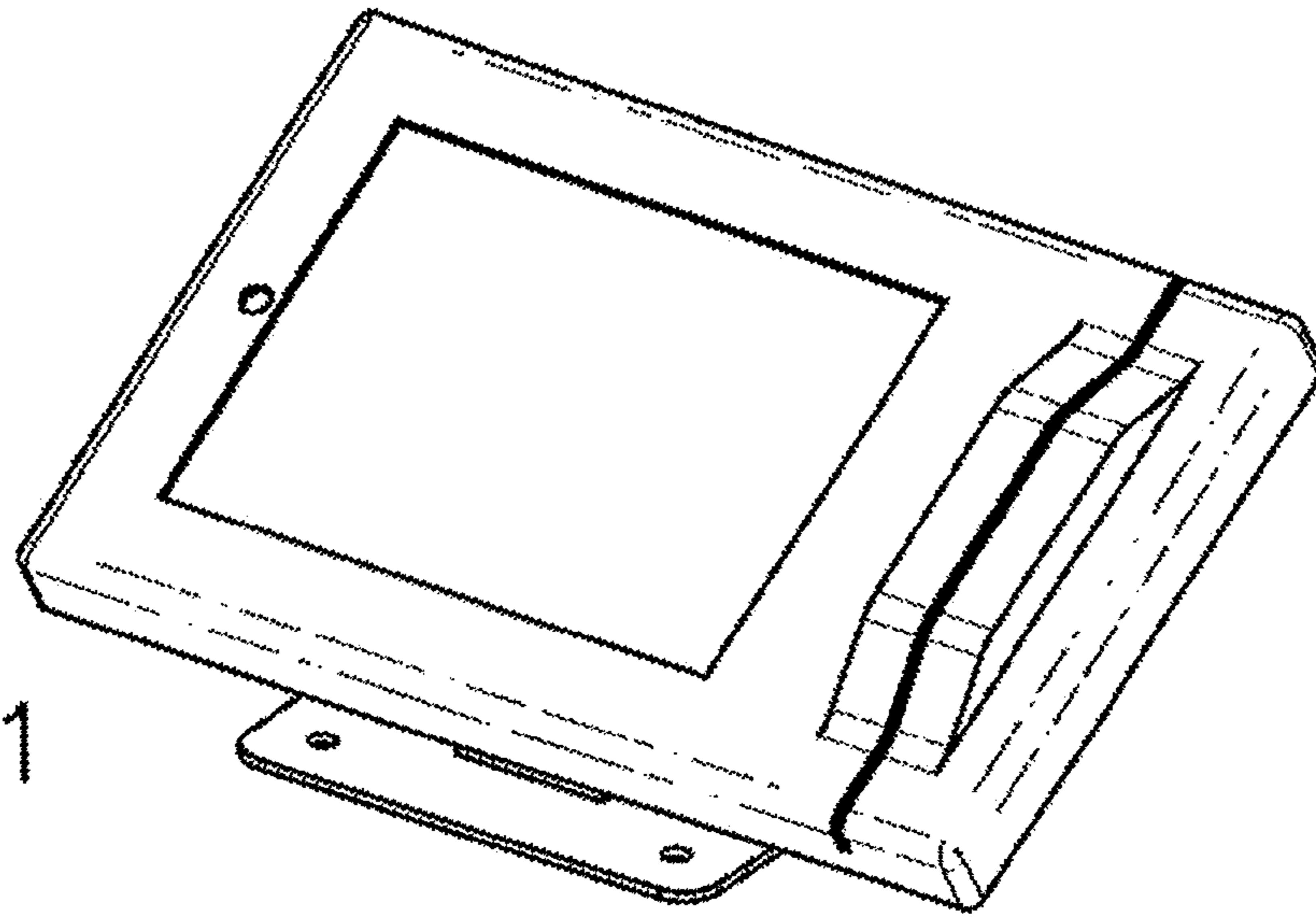


Fig. 1

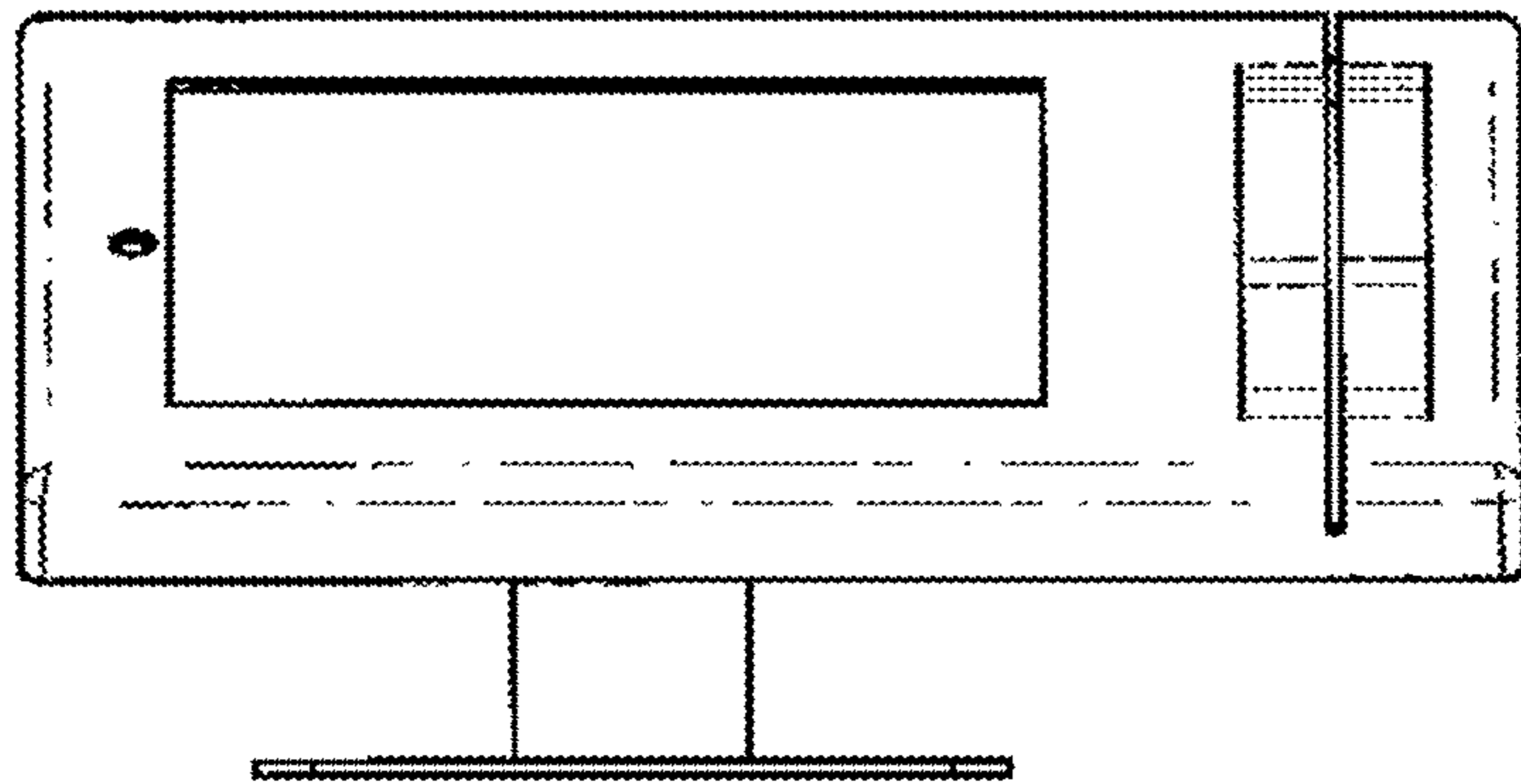


Fig. 2

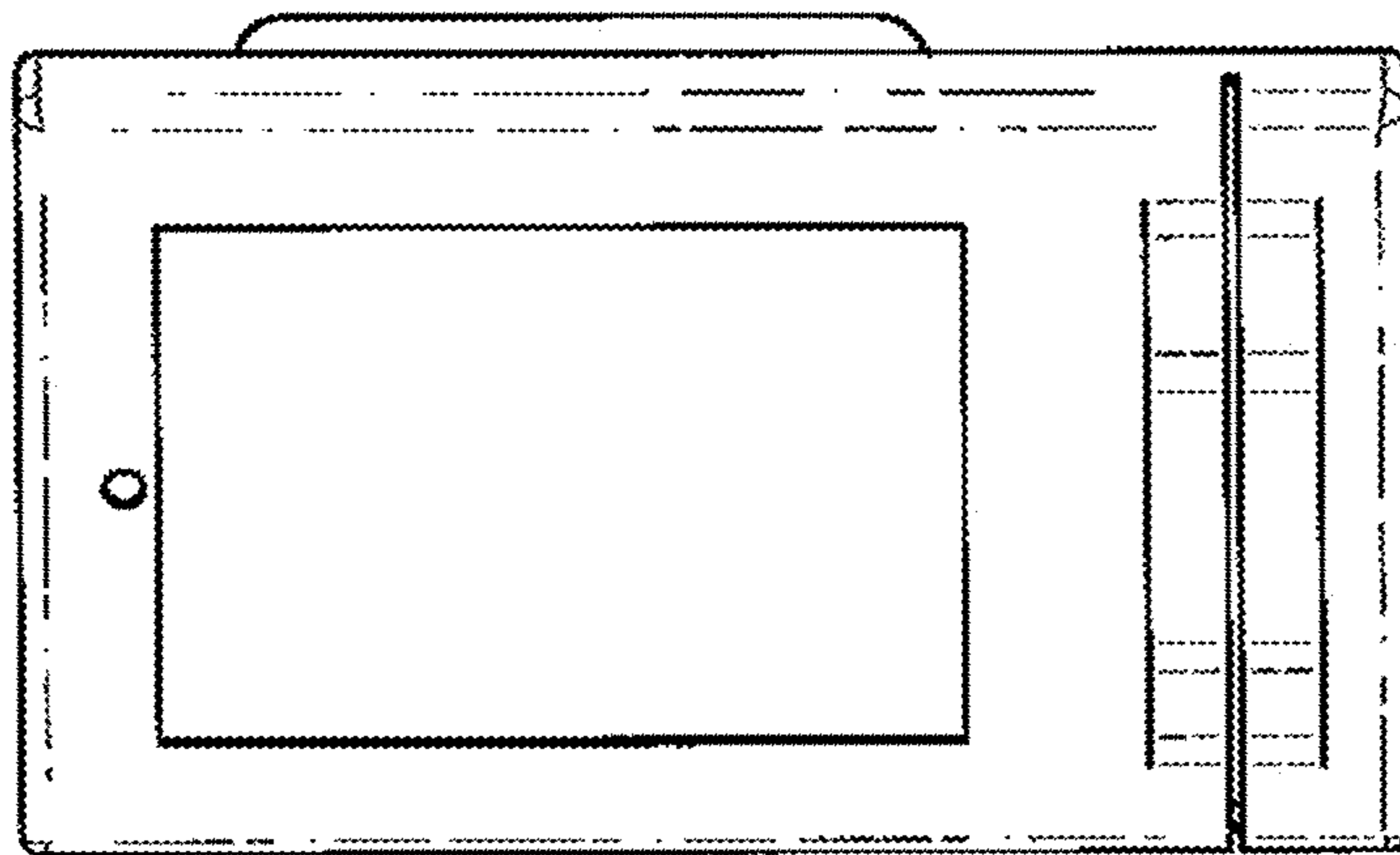


Fig. 3

Fig. 4

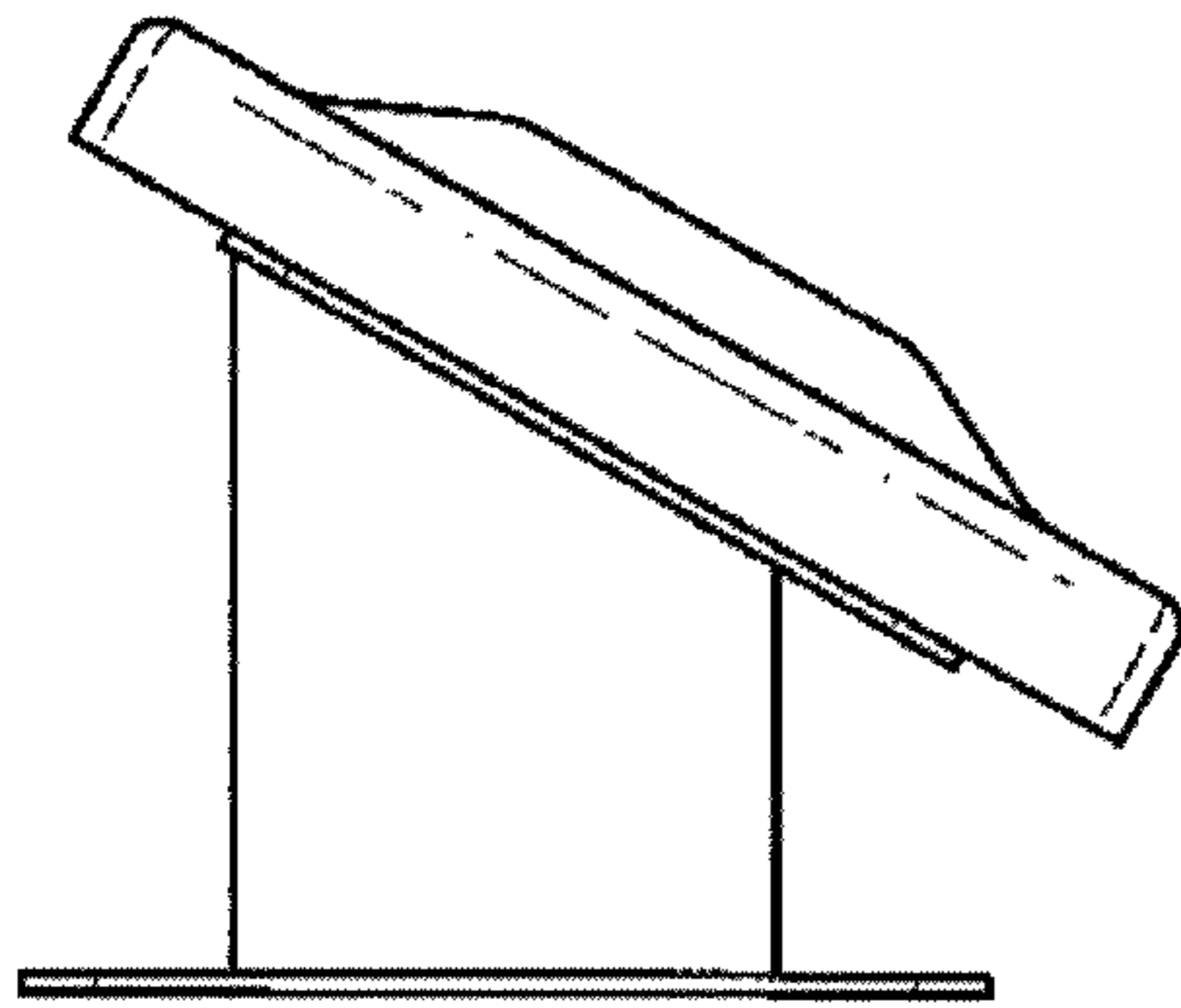
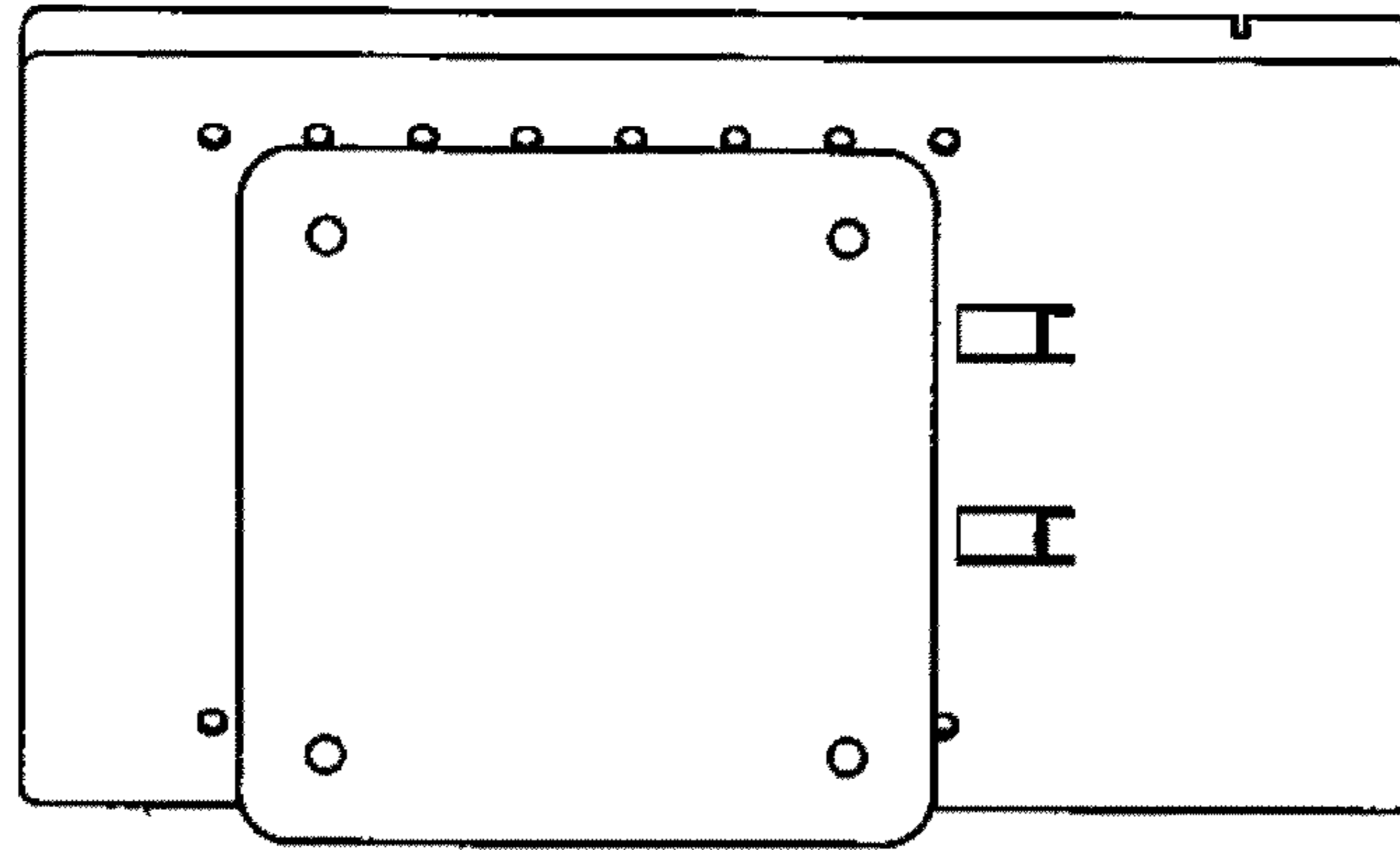


Fig. 5

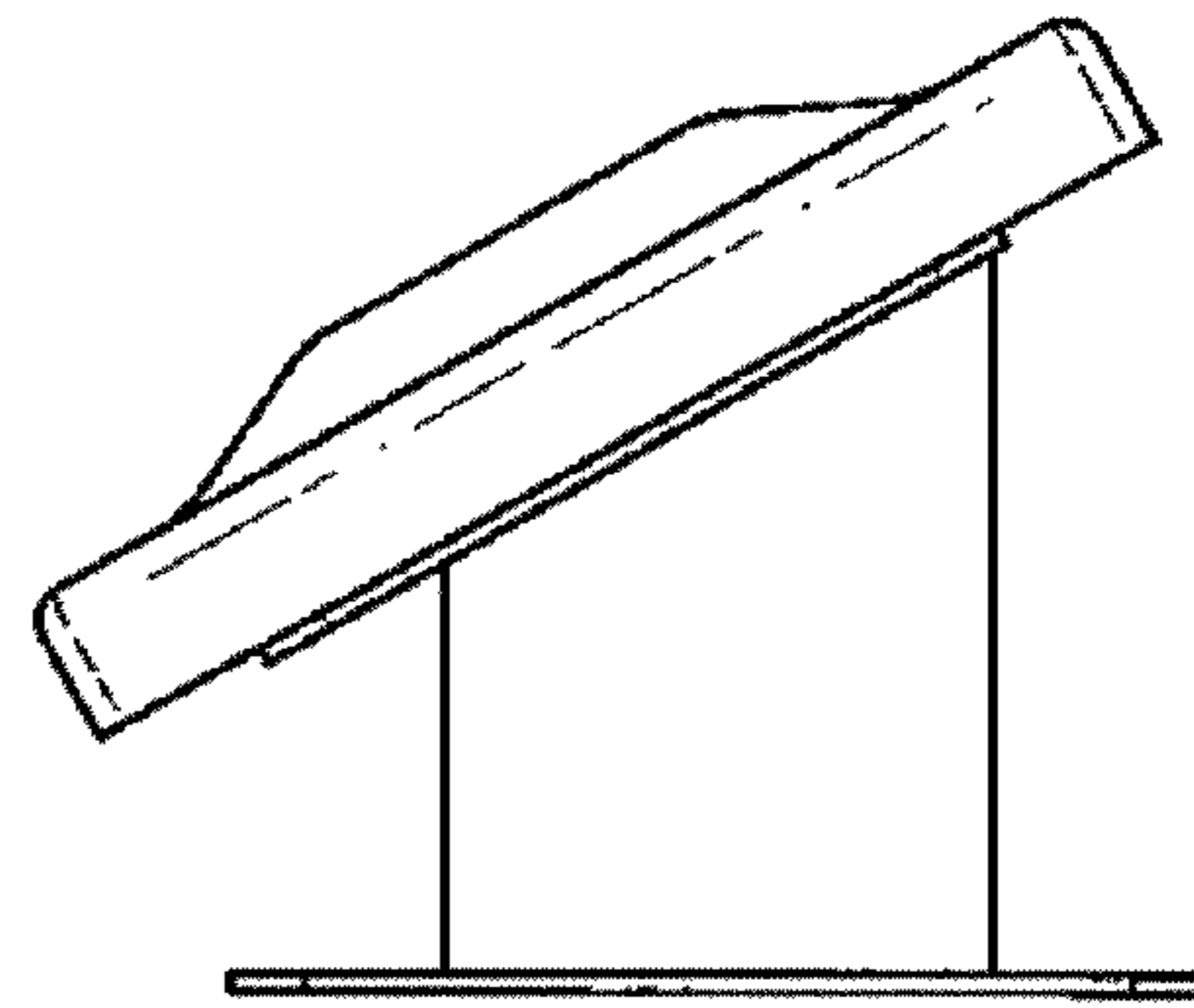


Fig. 6

Fig. 7

