

US00D691140S

(12) **United States Design Patent**  
**Huang**

(10) **Patent No.:** **US D691,140 S**  
(45) **Date of Patent:** **\*\* Oct. 8, 2013**

- (54) **USB HUB**
- (71) Applicant: **Delta Electronics (Thailand) Public Co., Ltd.**, Samutprakam (TH)
- (72) Inventor: **Jui-Ching Huang**, Amphur Muang (TH)
- (73) Assignee: **Delta Electronics (Thailand) Public Co., Ltd.**, Amphur Muang (TH)

D492,355 S *	6/2004	Suzuki	.....	D19/69
D494,221 S *	8/2004	Suzuki	.....	D19/69
D537,036 S *	2/2007	Chen	.....	D14/433
D547,761 S *	7/2007	Hui	.....	D14/433
D571,404 S *	6/2008	Tullney et al.	.....	D19/69
D579,499 S *	10/2008	Rushe et al.	.....	D19/69
D607,055 S *	12/2009	Koreska	.....	D19/69
D624,548 S *	9/2010	Yamamoto	.....	D14/433
D640,321 S *	6/2011	Kuronuma	.....	D19/69
D647,139 S *	10/2011	Quah et al.	.....	D19/69
D685,029 S *	6/2013	Cooper et al.	.....	D19/69

(\*\*) Term: **14 Years**

\* cited by examiner

(21) Appl. No.: **29/439,668**

*Primary Examiner* — Austin Murphy

(22) Filed: **Dec. 13, 2012**

(74) *Attorney, Agent, or Firm* — Kirton McConkie; Evan R. Witt

(51) **LOC (9) Cl.** ..... **14-02**

(52) **U.S. Cl.**  
USPC ..... **D14/433**

(57) **CLAIM**  
The ornamental design for a USB hub, as shown.

(58) **Field of Classification Search**  
USPC ..... D14/356, 432–434, 453, 454, 511,  
D14/203.8, 209.1, 238.1, 240, 125; 439/638,  
439/928, 105, 502; 710/303, 304; 361/679.41,  
361/679.55, 679.56; D13/110, 133, 146  
See application file for complete search history.

**DESCRIPTION**

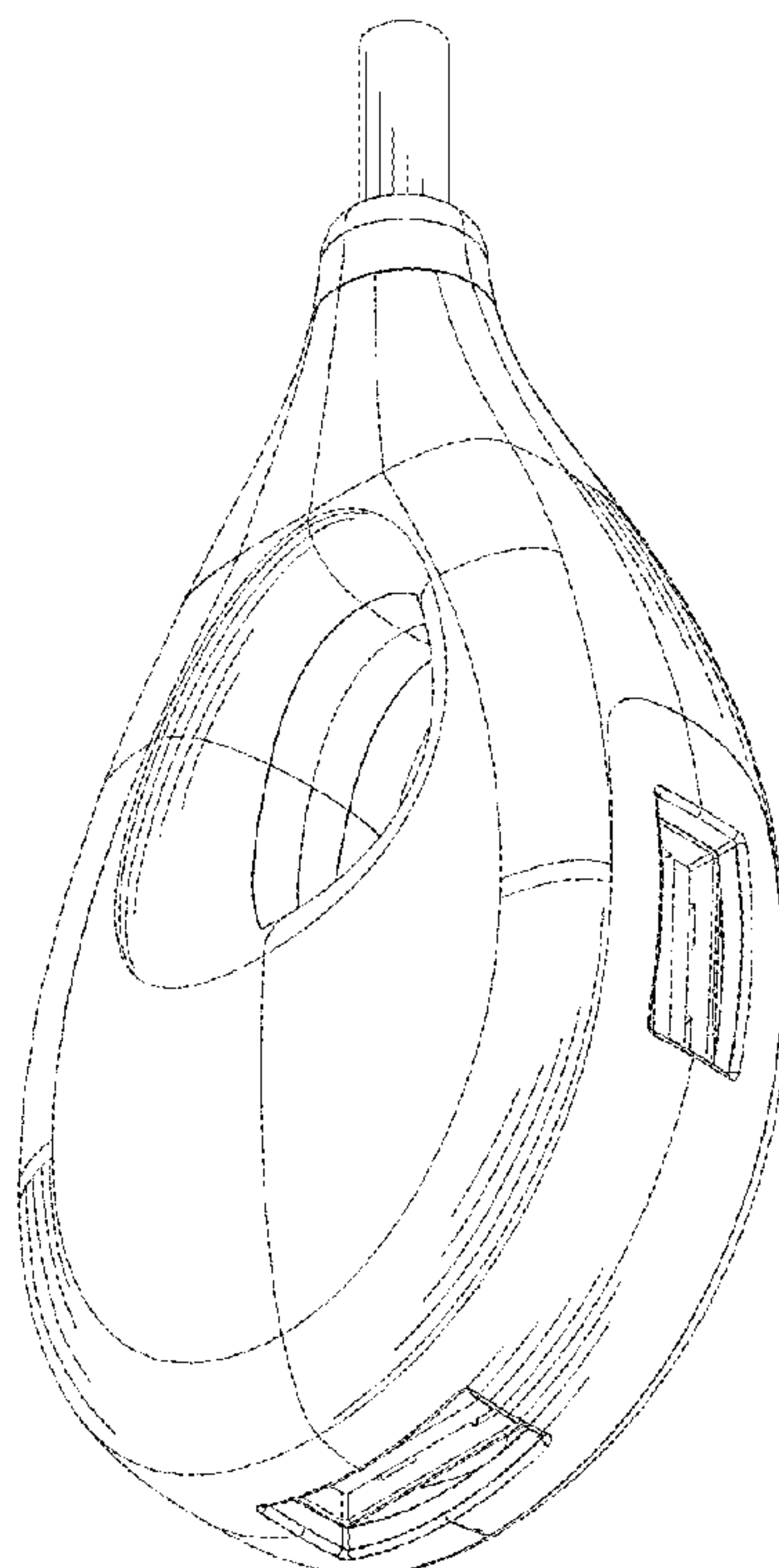
FIG. 1 is a perspective view of a USB hub showing my new design;  
FIG. 2 is a front elevational view thereof;  
FIG. 3 is a rear elevational view thereof;  
FIG. 4 is a left side elevational view thereof;  
FIG. 5 is a right side elevational view thereof;  
FIG. 6 is a top plan view thereof; and,  
FIG. 7 is a bottom plan view thereof.

(56) **References Cited**

U.S. PATENT DOCUMENTS

D415,131 S *	10/1999	Chang	.....	D14/433
D436,129 S *	1/2001	Fujihara	.....	D19/53

**1 Claim, 5 Drawing Sheets**



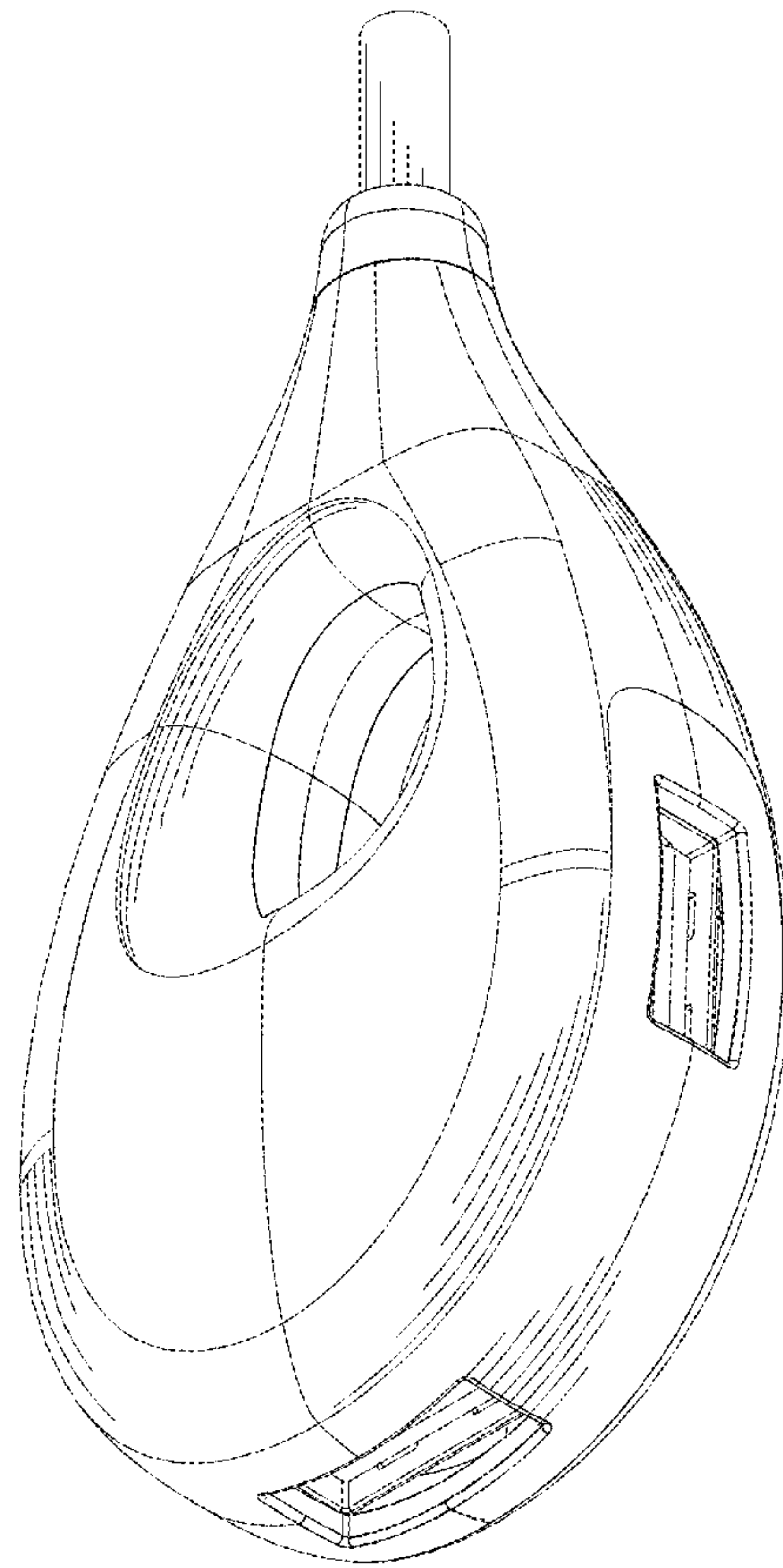


FIG. 1

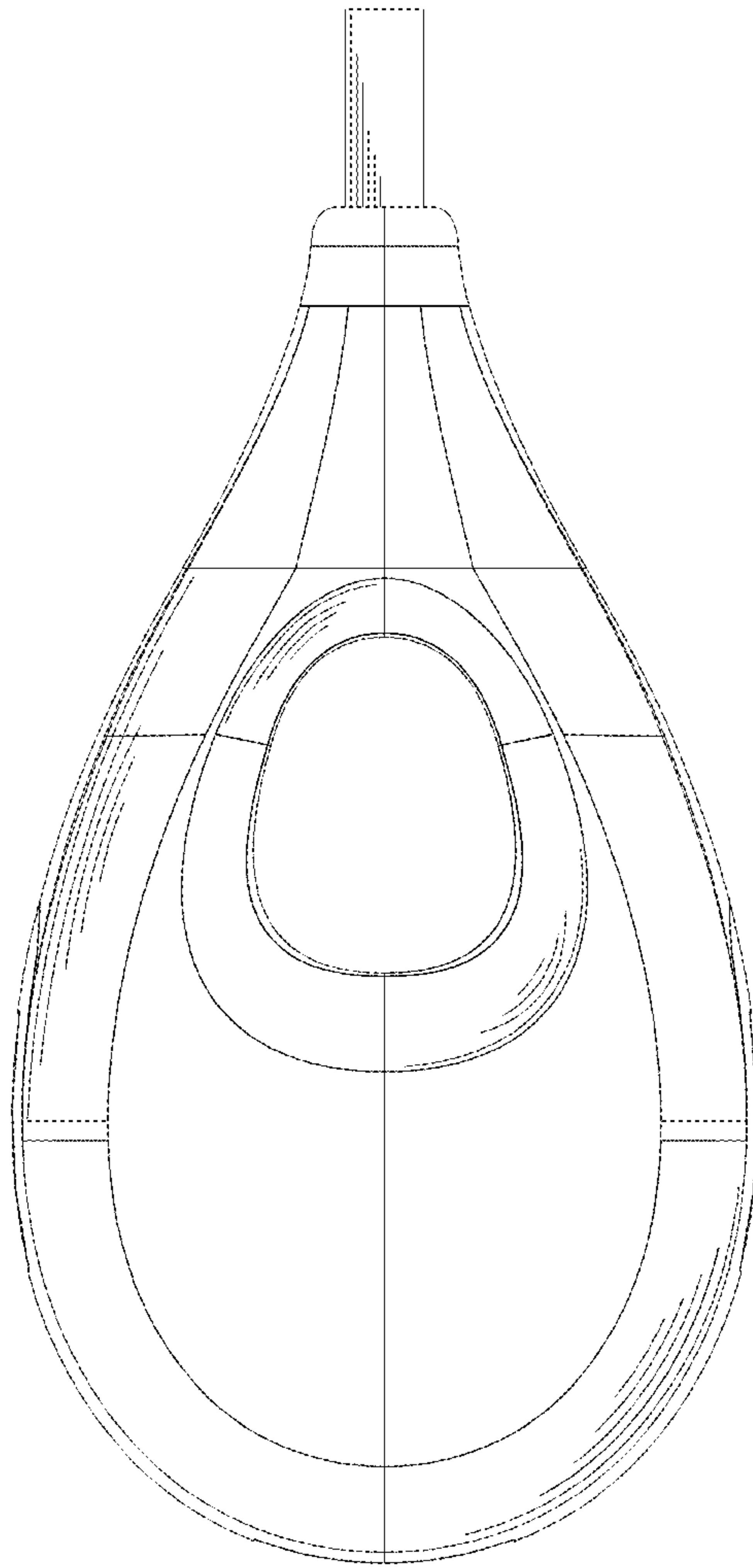


FIG. 2

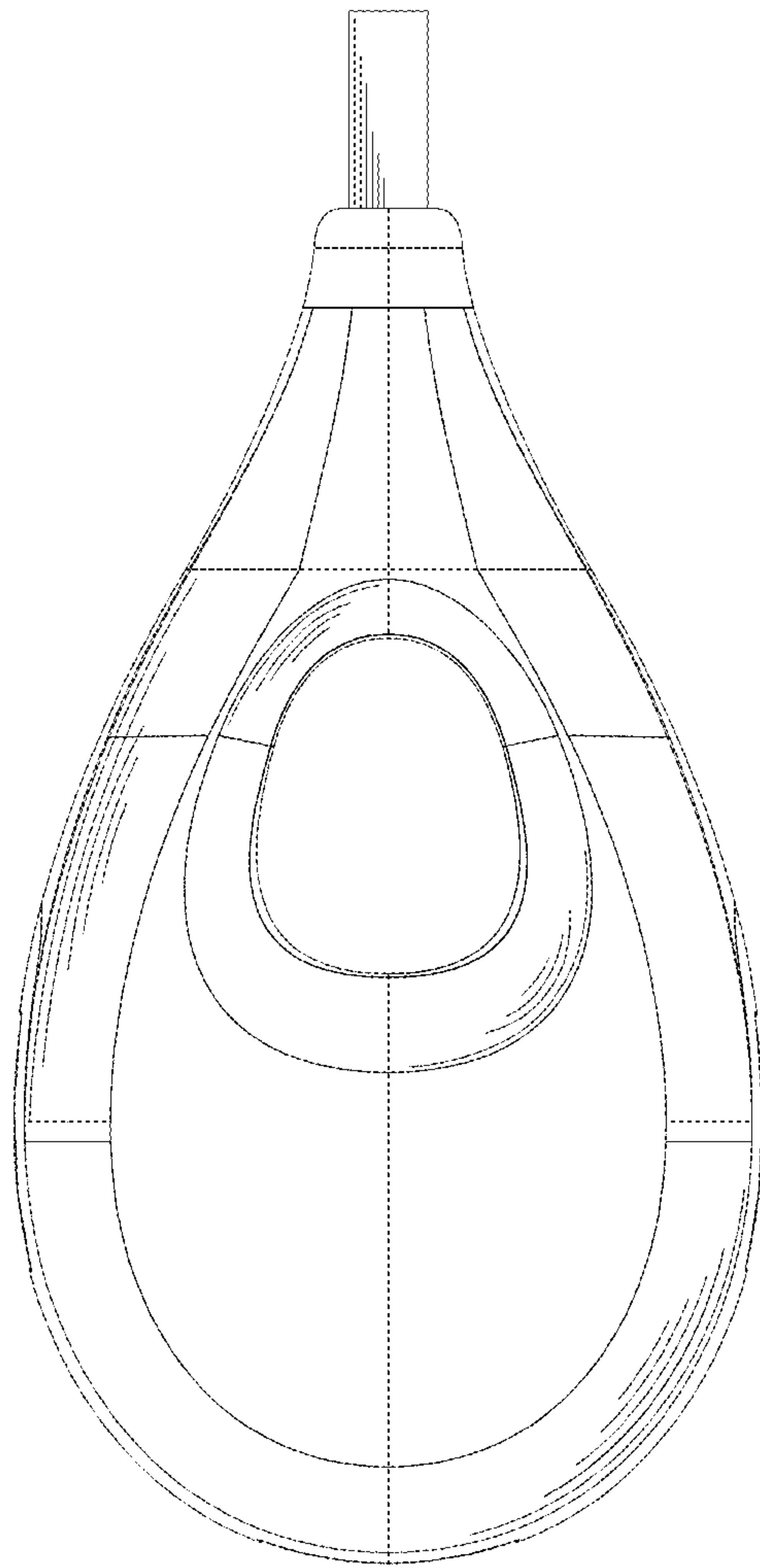


FIG. 3

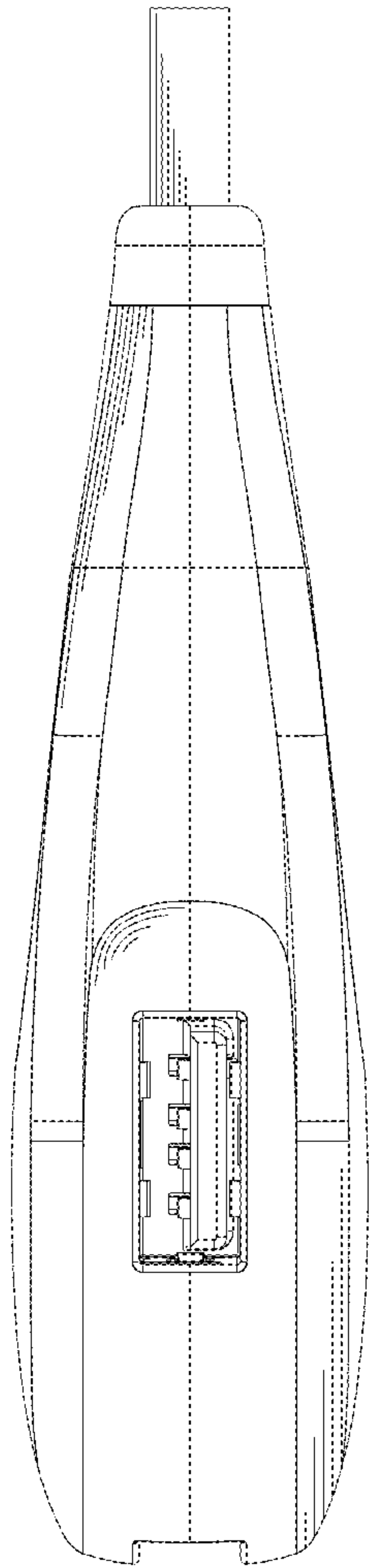


FIG. 4

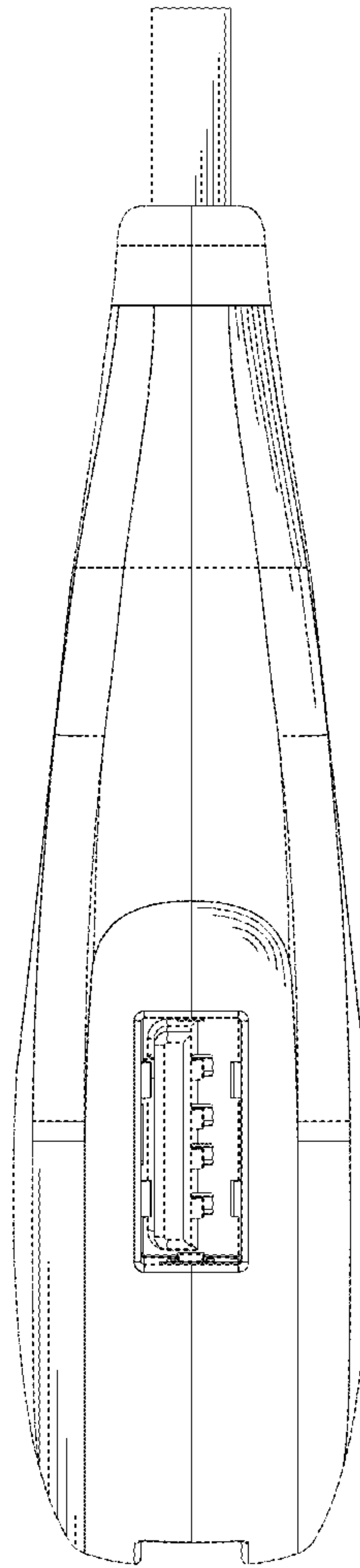


FIG. 5

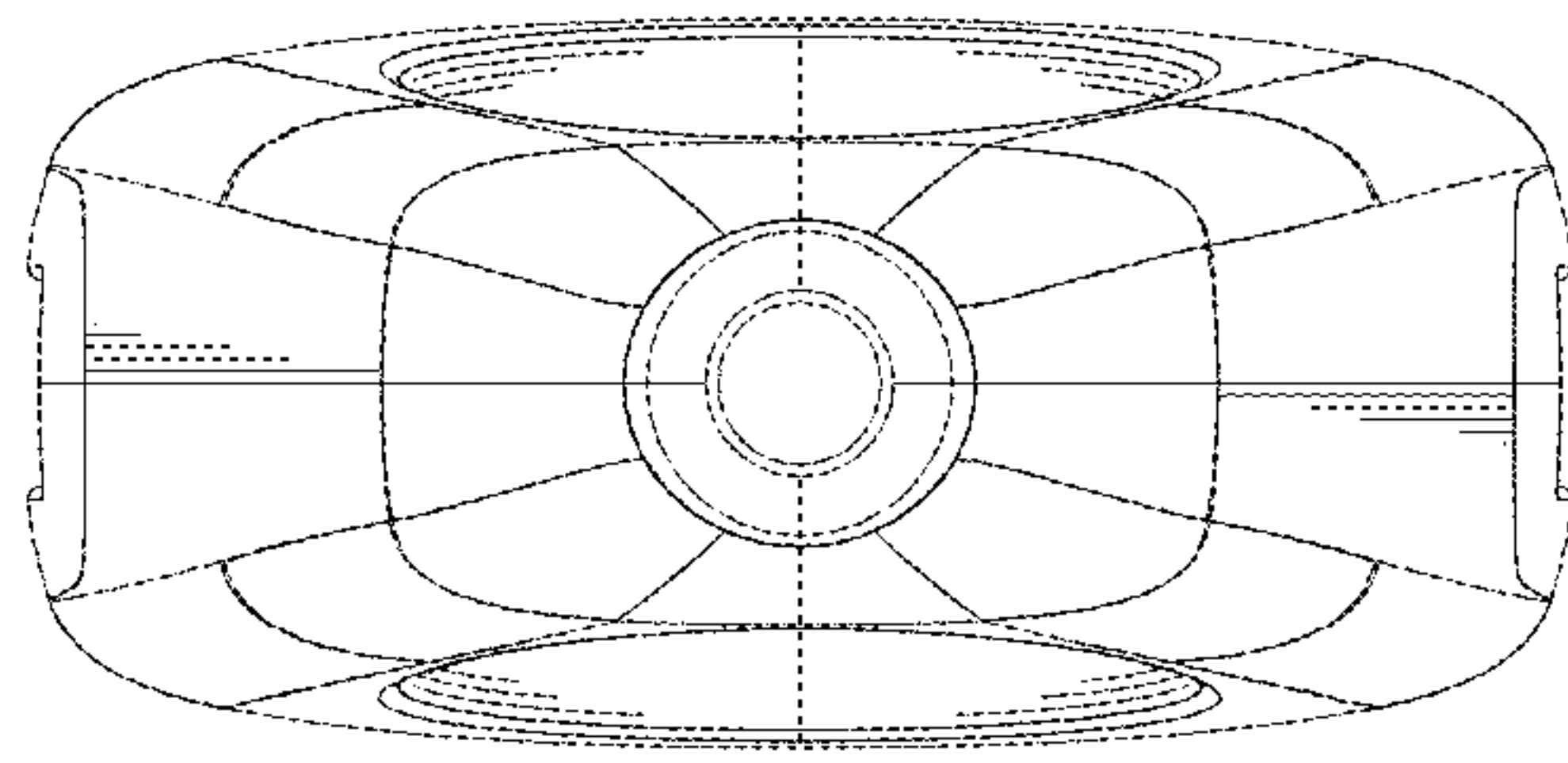


FIG. 6

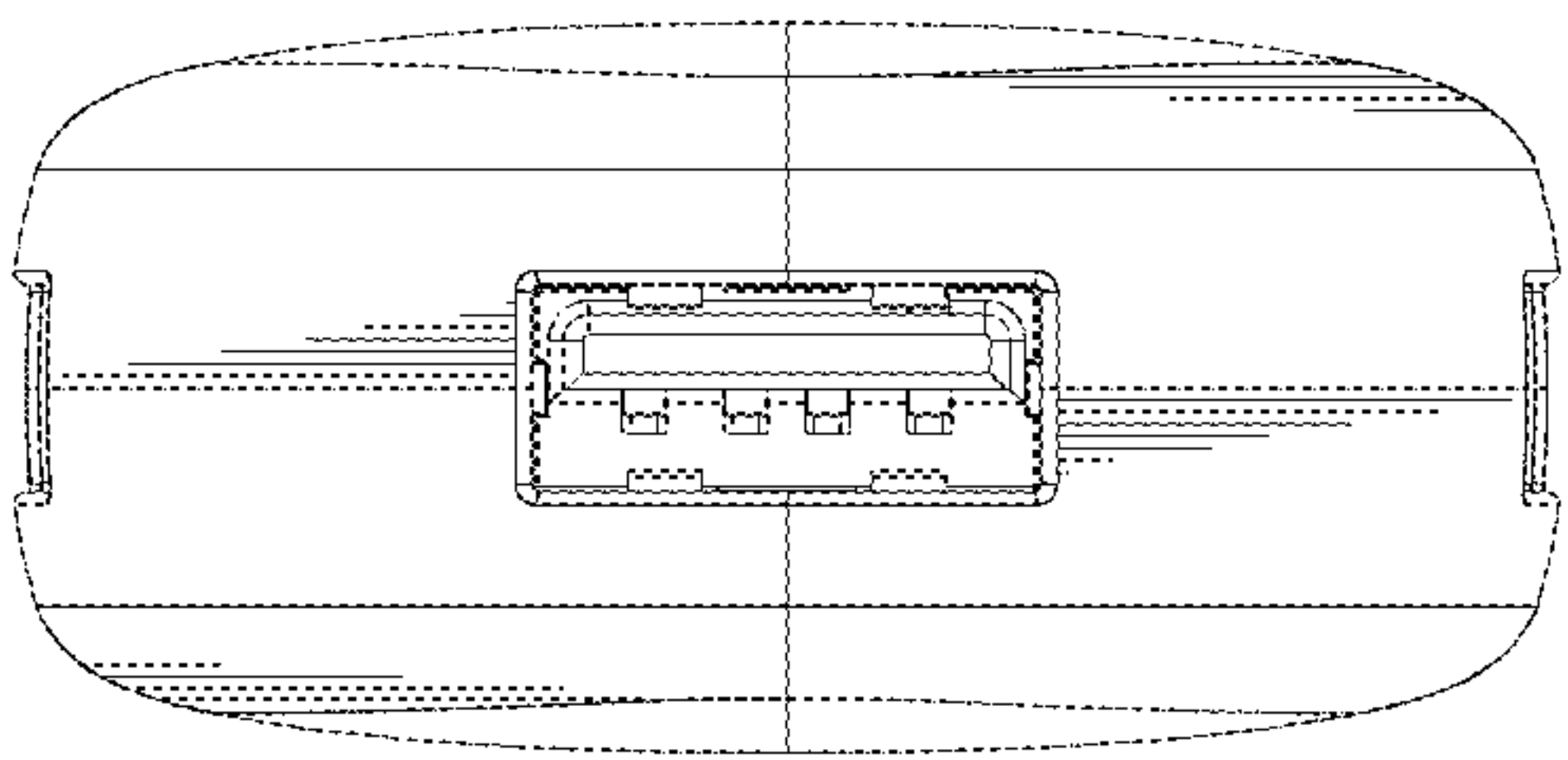


FIG. 7