



US00D691139S

(12) **United States Design Patent**  
**Koefoed**

(10) **Patent No.:** **US D691,139 S**

(45) **Date of Patent:** **\*\* Oct. 8, 2013**

(54) **USB DONGLE**

(75) Inventor: **Brian Koefoed**, Glostrup (DK)

(73) Assignee: **GN Netcom A/S** (DK)

(\*\*) Term: **14 Years**

(21) Appl. No.: **29/430,579**

(22) Filed: **Aug. 28, 2012**

(30) **Foreign Application Priority Data**

Mar. 1, 2012 (EM) ..... 002000638-0001

(51) **LOC (9) Cl.** ..... **14-02**

(52) **U.S. Cl.**  
USPC ..... **D14/433**

(58) **Field of Classification Search**  
USPC ..... D14/356, 432-434, 453, 454, 511,  
D14/203.8, 209.1, 238.1, 240, 125; 439/638,  
439/928, 105, 502; 710/303, 304; 361/679.41,  
361/679.55, 679.56; D13/110, 133, 146  
See application file for complete search history.

(56) **References Cited**

**U.S. PATENT DOCUMENTS**

D426,240 S \* 6/2000 Senda ..... D14/420  
D476,764 S \* 7/2003 Khovaylo et al. .... D26/37

D547,761 S \* 7/2007 Hui ..... D14/433  
D604,725 S \* 11/2009 Chen ..... D14/240  
D642,565 S \* 8/2011 Demskie et al. .... D14/358  
D670,291 S \* 11/2012 Dalton ..... D14/433  
D672,780 S \* 12/2012 Chen et al. .... D14/433  
D678,286 S \* 3/2013 Cheng ..... D14/433  
D680,539 S \* 4/2013 Kim ..... D14/433

\* cited by examiner

*Primary Examiner* — Austin Murphy

(74) *Attorney, Agent, or Firm* — Altera Law Group, LLC

(57) **CLAIM**

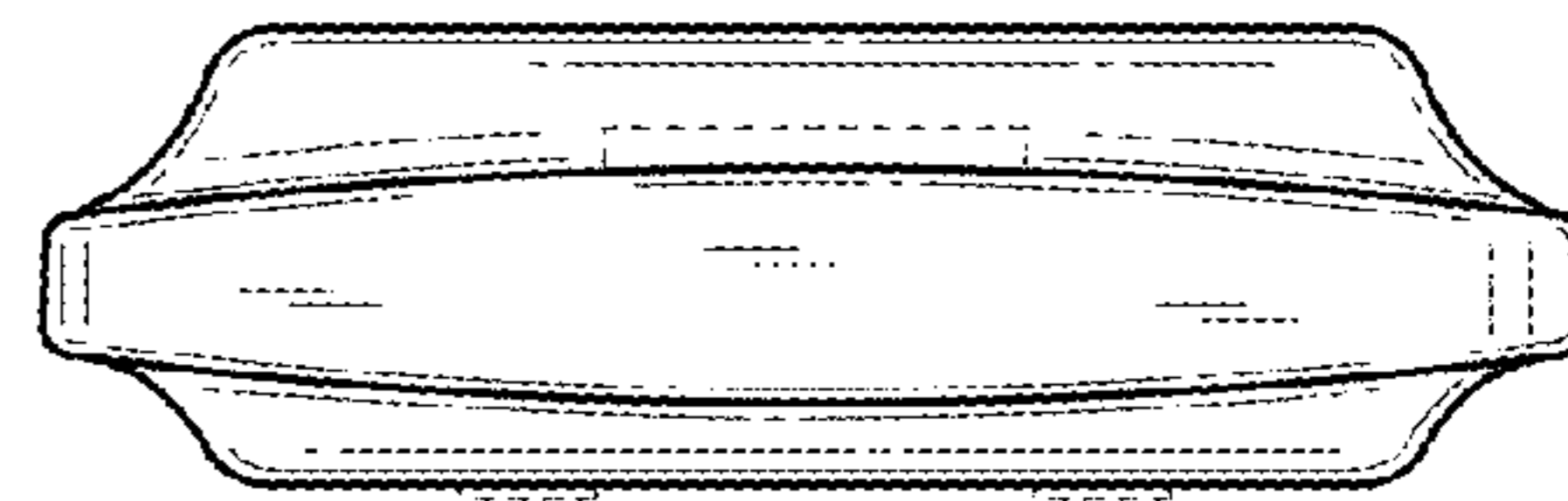
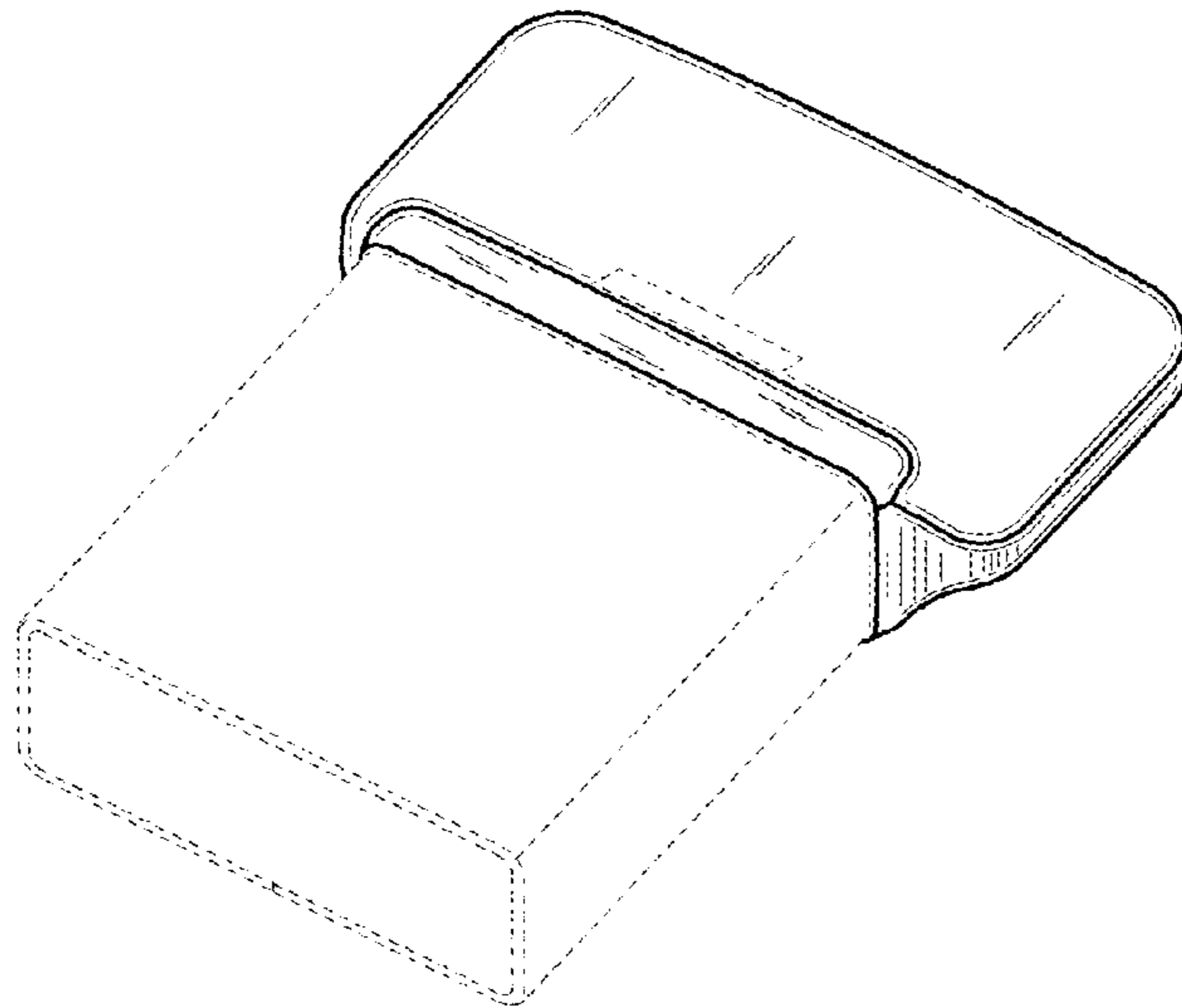
The ornamental design for a USB dongle, as shown and described.

**DESCRIPTION**

FIG. 1 is a top perspective view of the USB dongle.  
FIG. 2 is a top plan view thereof.  
FIG. 3 is a bottom plan view thereof.  
FIG. 4 is an end plan view thereof.  
FIG. 5 is the other end plan view thereof; and,  
FIG. 6 is a side plan view with both sides being symmetric thereof.

The broken lines shown in the drawings represent portions of the USB dongle that form no part of the claimed design.

**1 Claim, 2 Drawing Sheets**



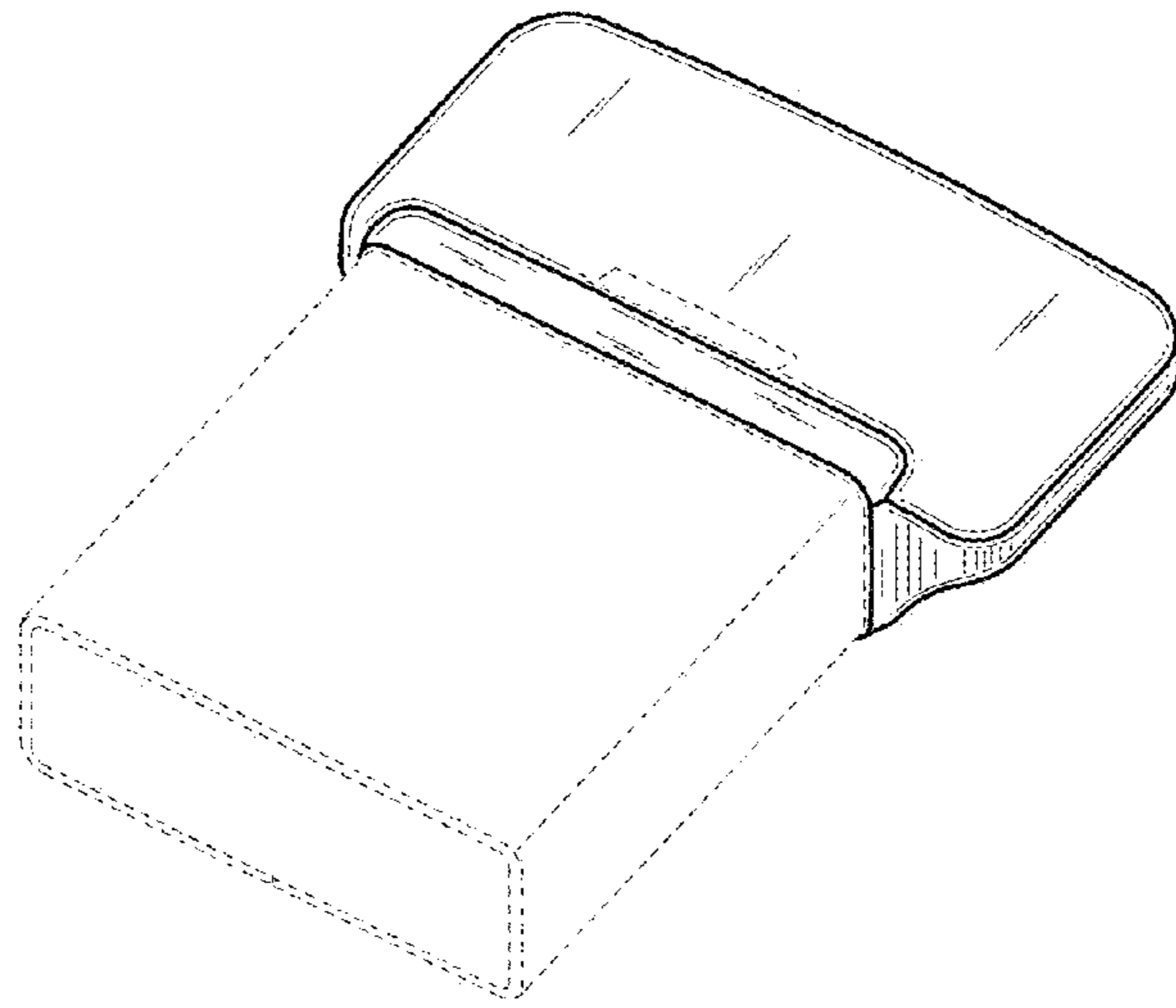


Fig. 1

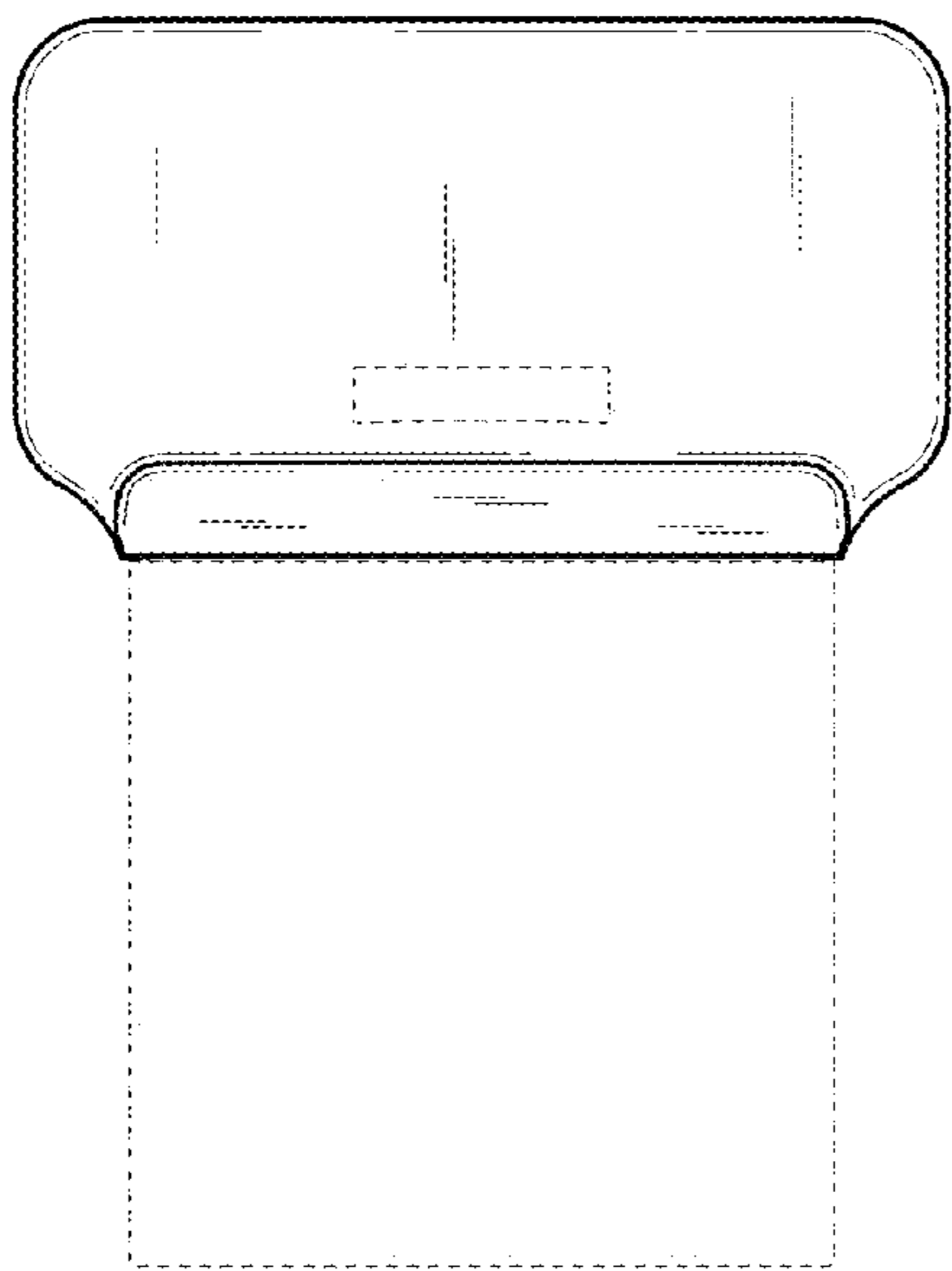


Fig. 2

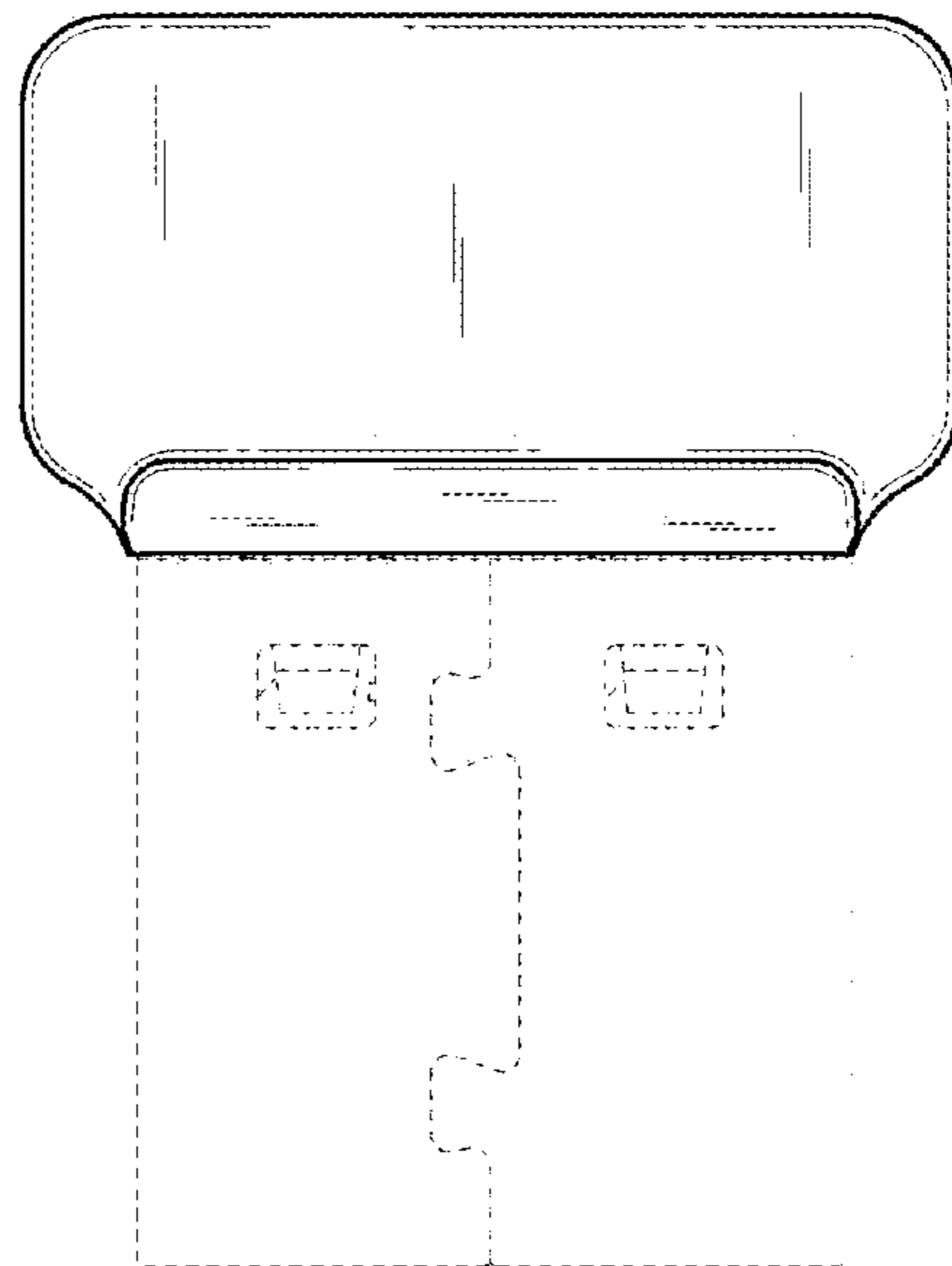
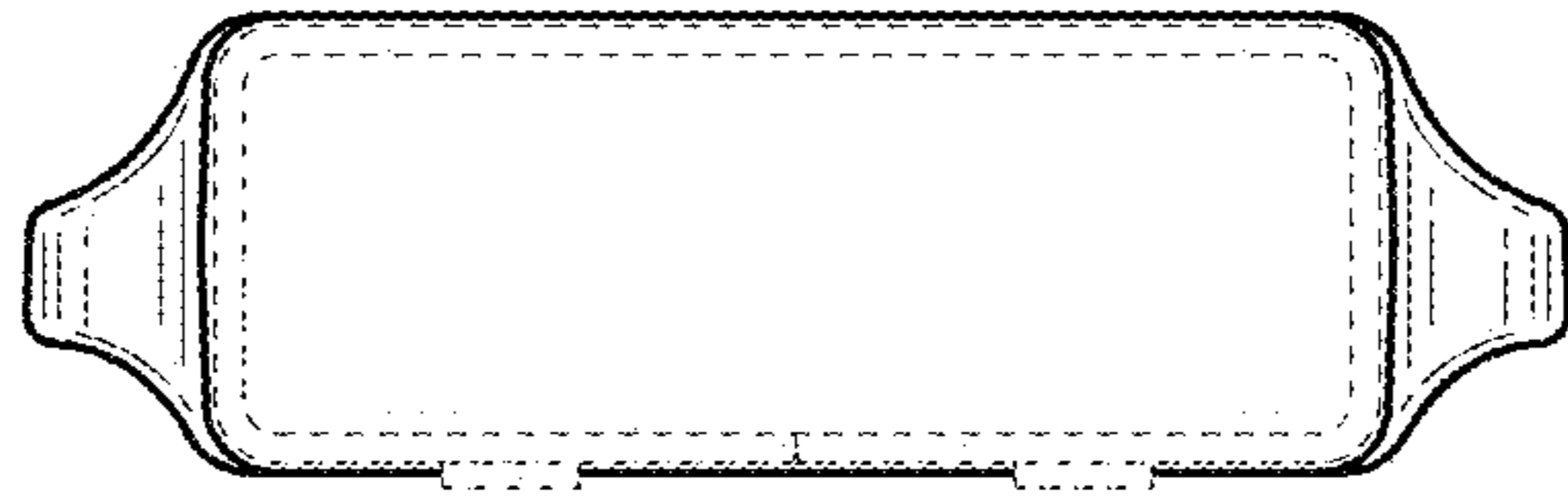
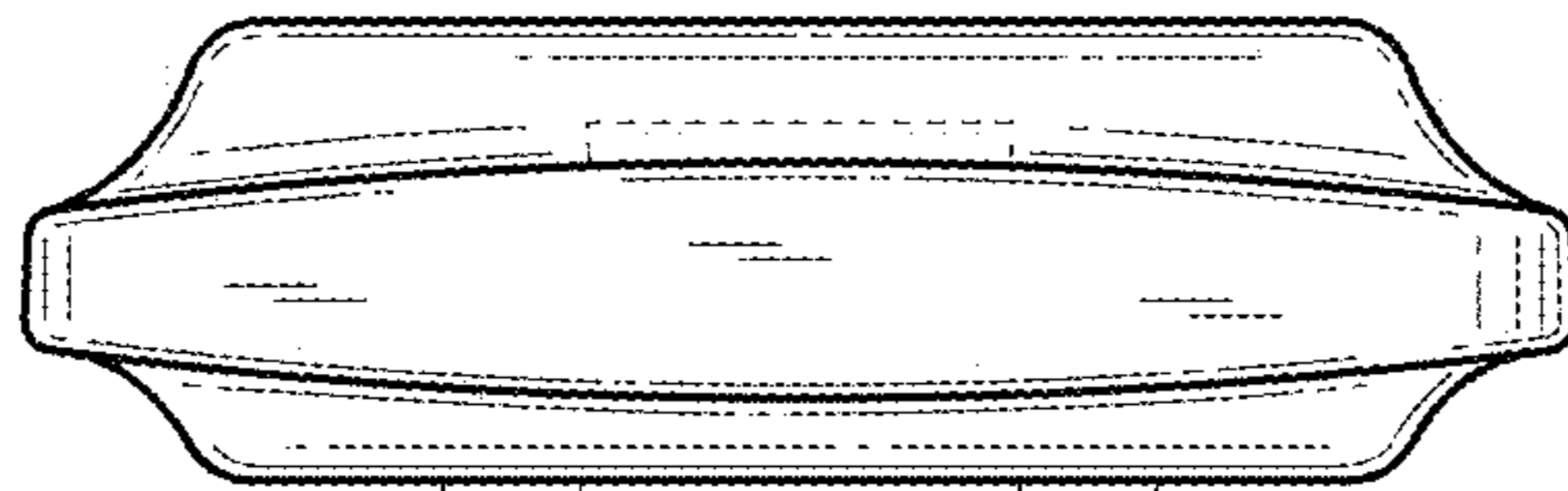


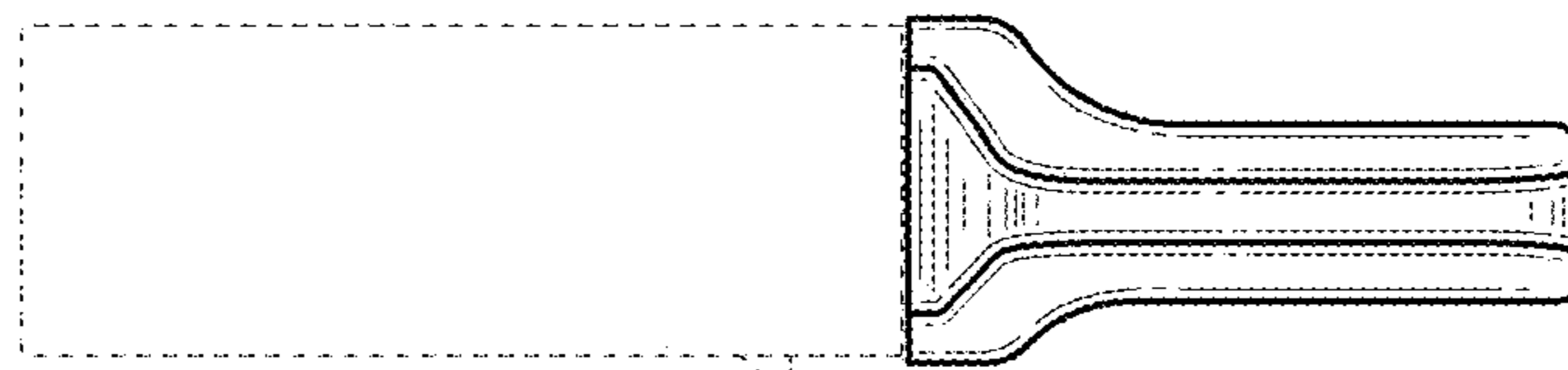
Fig. 3



**Fig. 4**



**Fig. 5**



**Fig. 6**