

US00D691136S

(12) **United States Design Patent**
Griffin et al.

(10) **Patent No.:** **US D691,136 S**
(45) **Date of Patent:** **** Oct. 8, 2013**

(54) **KEYBOARD**

(76) Inventors: **Sean Griffin**, Ruston, LA (US); **Jessica Wasserman**, Ruston, LA (US)

(**) Term: **14 Years**

(21) Appl. No.: **29/428,497**

(22) Filed: **Jul. 31, 2012**

(51) **LOC (9) Cl.** **14-02**

(52) **U.S. Cl.**
USPC **D14/392**

(58) **Field of Classification Search**
USPC D14/391-399, 455, 456; D18/1, D18/2, 7, 24, 29, 30, 32; 178/17 A, 17 C; 200/5 A, 5 R, 6 A, 6 R; 235/145 A, 145 R; 345/160, 168, 169, 173; 341/22, 23; 400/484-489, 492; 361/679.08, 679.09, 361/679.1, 679.11-679.19

See application file for complete search history.

(56) **References Cited**

U.S. PATENT DOCUMENTS

D349,300 S *	8/1994	Lau	D19/62
D366,261 S *	1/1996	Splane et al.	D14/217
D396,716 S *	8/1998	Matsuda et al.	D14/150
D450,314 S *	11/2001	Mattis	D14/218
D472,539 S *	4/2003	Fletcher	D14/150
D492,310 S *	6/2004	Chien	D14/398

D527,724 S *	9/2006	Lin	D14/218
D557,264 S *	12/2007	Richardson et al.	D14/399
D615,977 S *	5/2010	Sogabe et al.	D14/400

* cited by examiner

Primary Examiner — Freda S Nunn

(74) *Attorney, Agent, or Firm* — Mark R. Malek; Zies Widerman & Malek

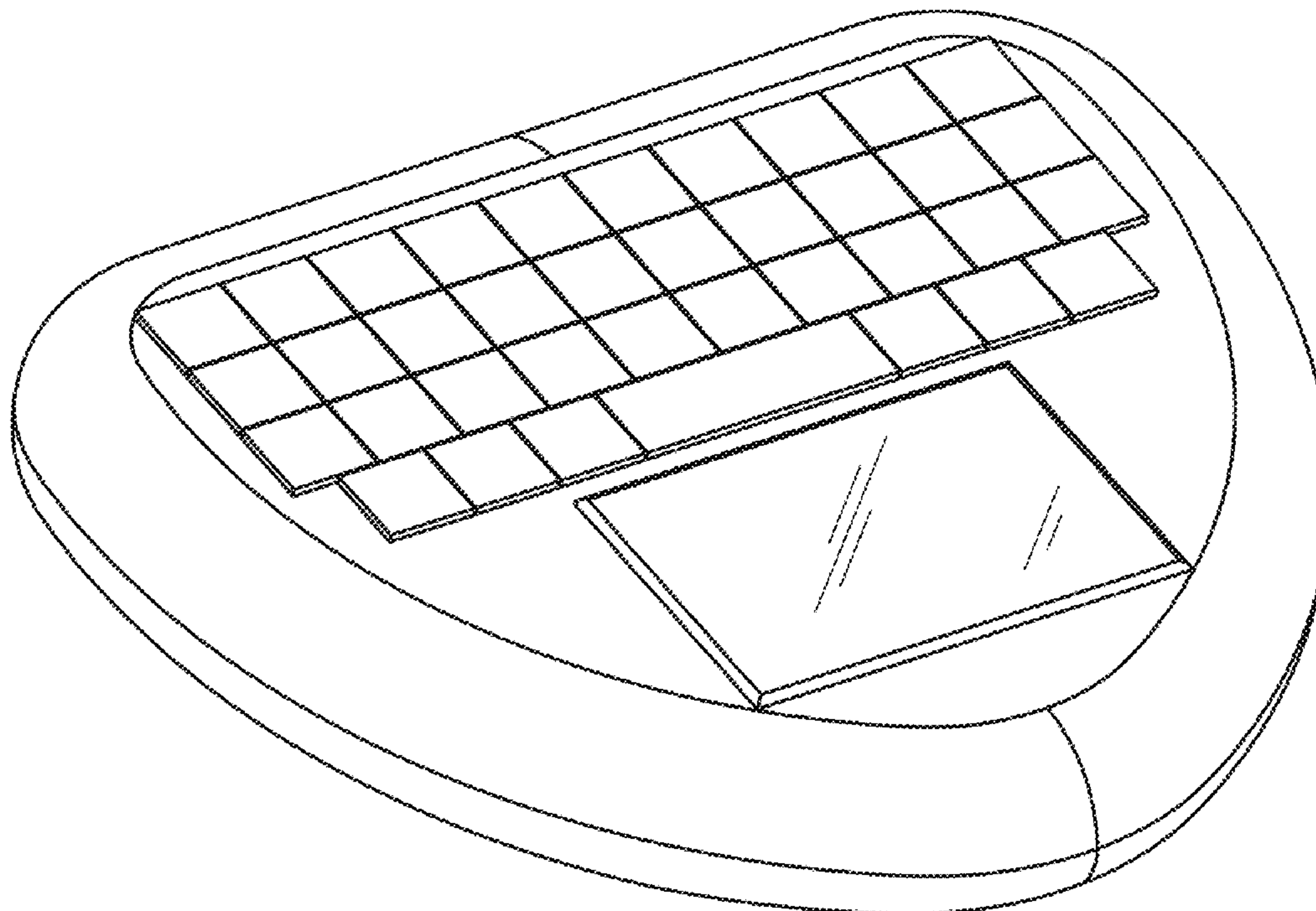
(57) **CLAIM**

The ornamental design of a keyboard, as shown and described.

DESCRIPTION

FIG. 1 is a perspective view of a keyboard according to the present invention.
 FIG. 2 is a front elevation view of the keyboard illustrated in FIG. 1,
 FIG. 3 is a rear elevation view of the keyboard illustrated in FIG. 1.
 FIG. 4 is a left side elevation view of the keyboard illustrated in FIG. 1.
 FIG. 5 is a right side elevation view of the keyboard illustrated in FIG. 1.
 FIG. 6 is a top plan view of the keyboard illustrated in FIG. 1; and,
 FIG. 7 is a bottom plan view of the keyboard illustrated in FIG. 1.

1 Claim, 3 Drawing Sheets



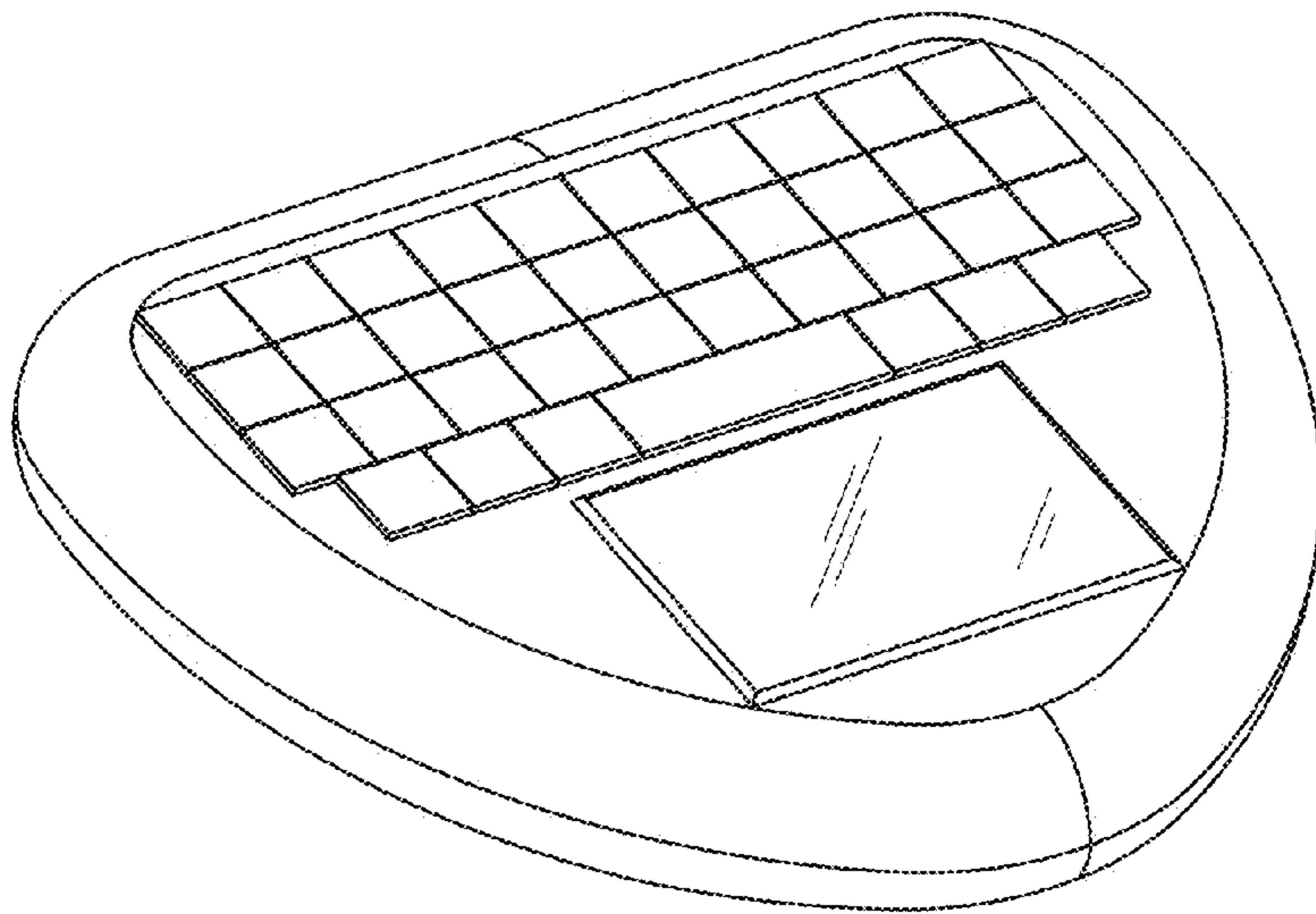


Fig. 1

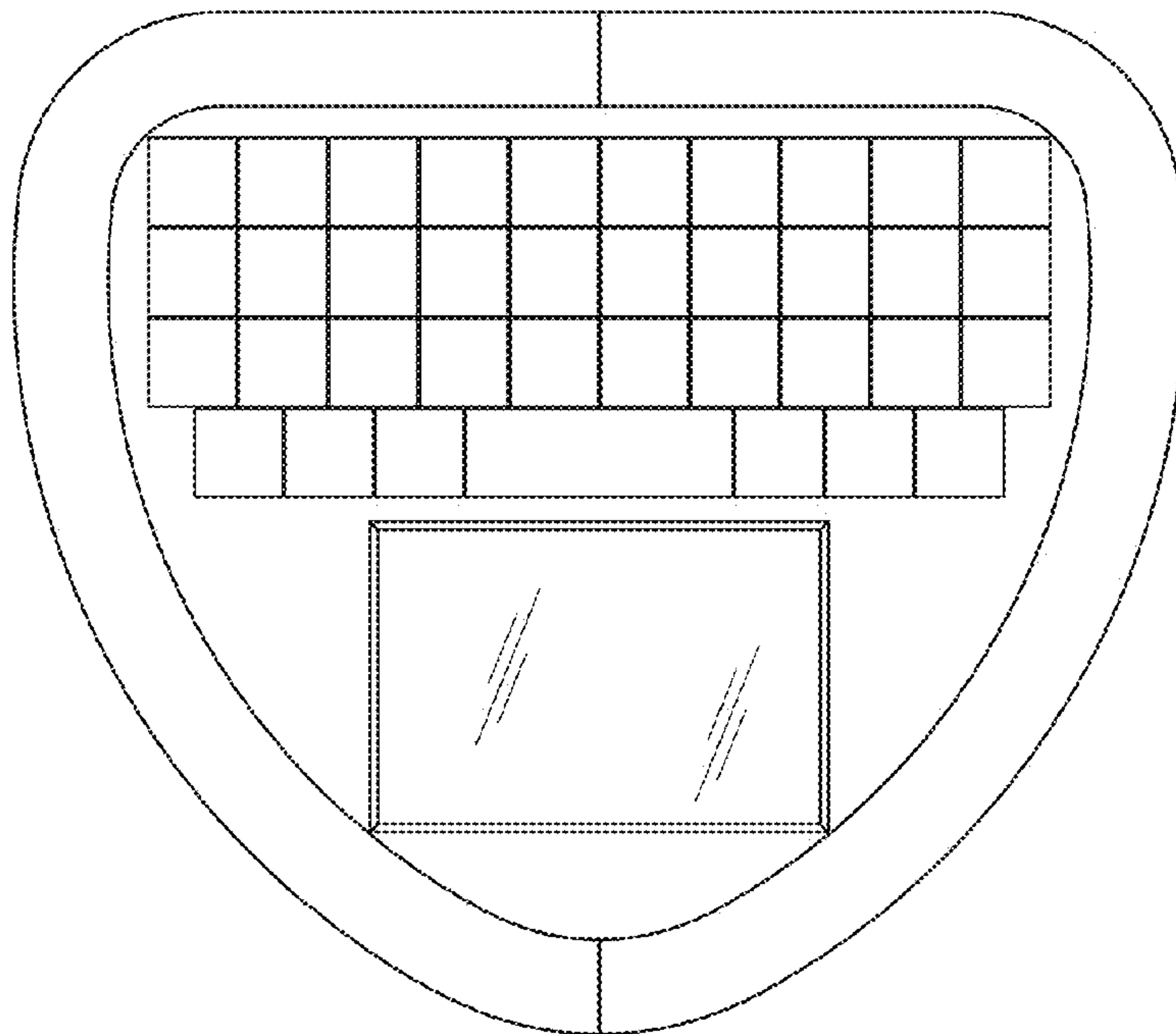


Fig. 2

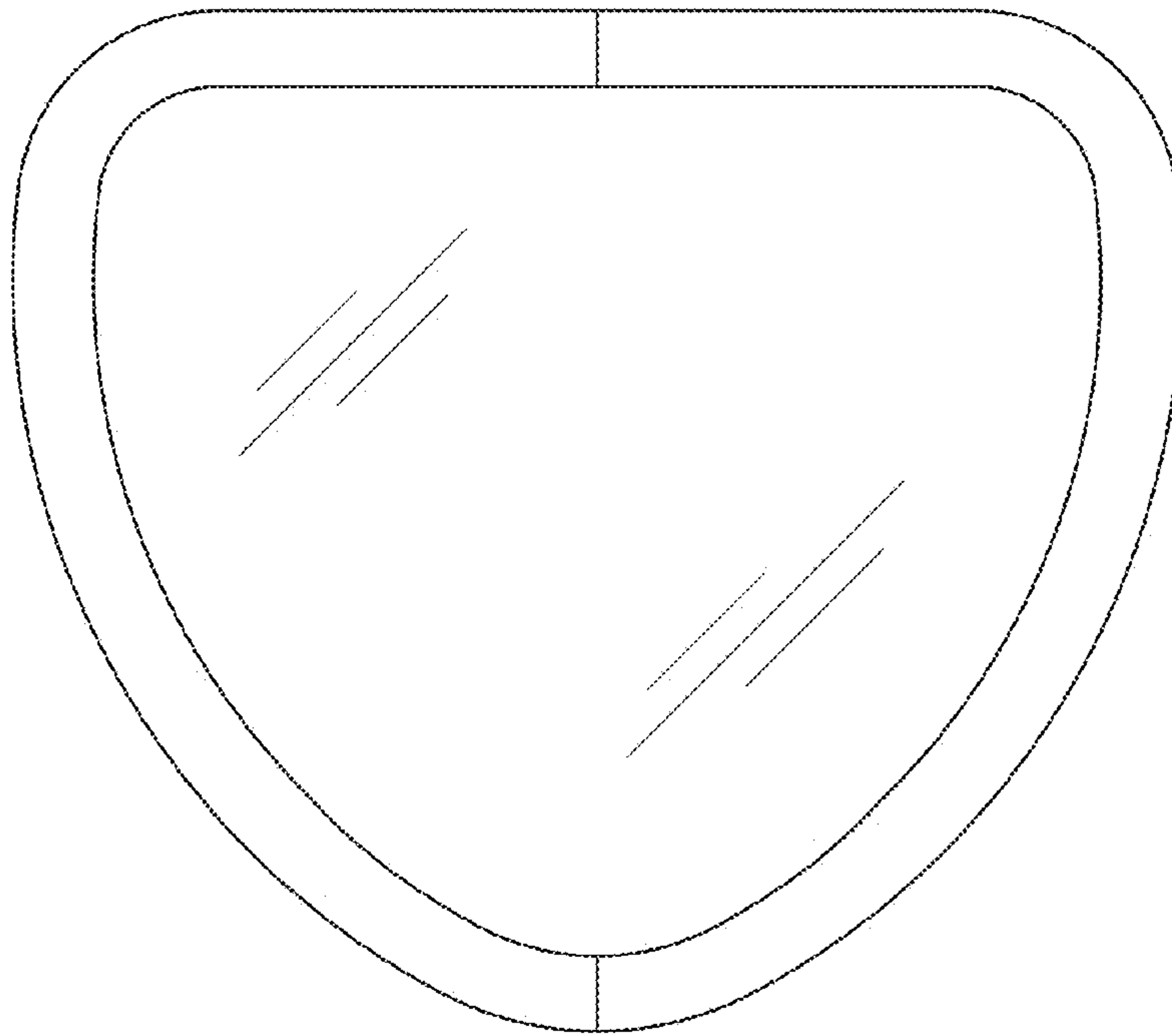


Fig. 3

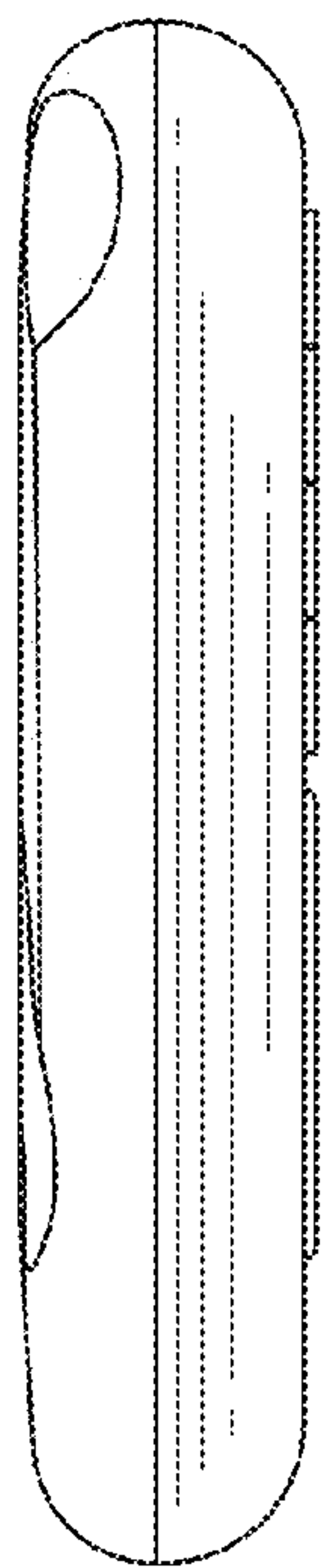


Fig. 4

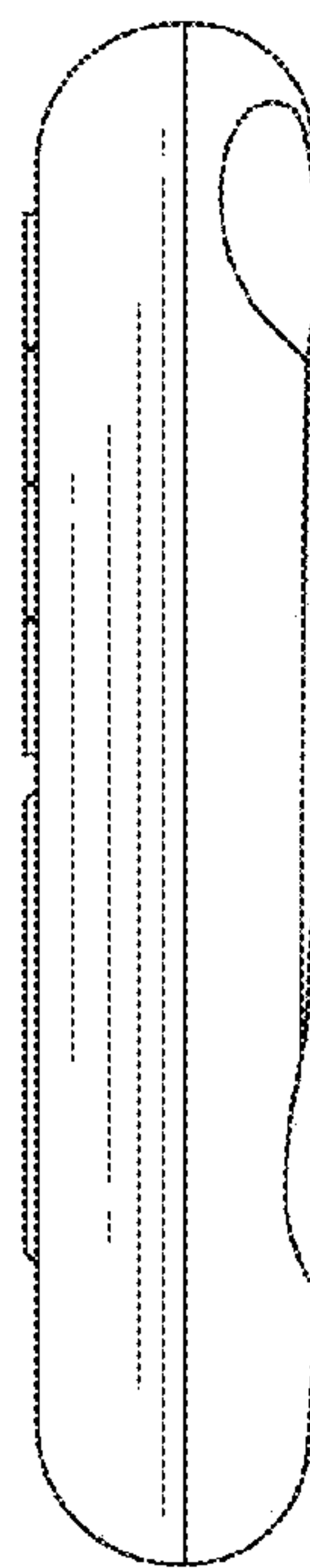


Fig. 5

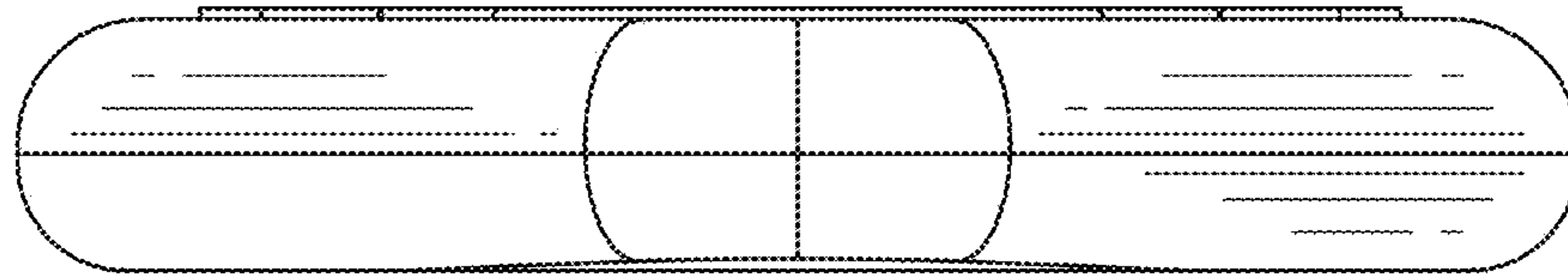


Fig. 6

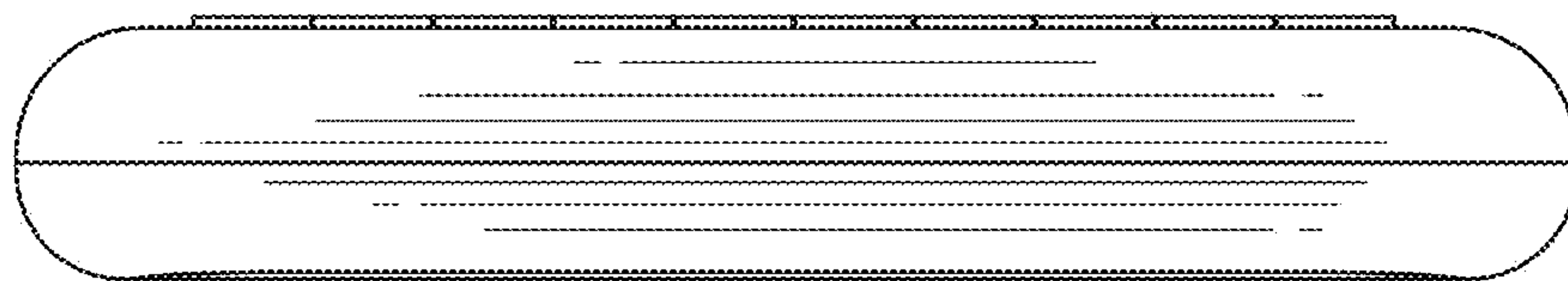


Fig. 7