

US00D691134S

(12) **United States Design Patent**
Lee

(10) **Patent No.:** **US D691,134 S**
(45) **Date of Patent:** **** Oct. 8, 2013**

(54) **MINIATURE COMPUTER BASE UNIT**

D647,090 S * 10/2011 Chen et al. D14/349

(75) Inventor: **Kuan-Chan Lee**, Taipei (TW)

* cited by examiner

(73) Assignee: **Sapphire Technology Limited**, Hong Kong (CN)

Primary Examiner — Freda S Nunn

(74) *Attorney, Agent, or Firm* — WPAT, P.C.; Anthony King

(**) Term: **14 Years**

(57) **CLAIM**

The ornamental design for a miniature computer base unit, as shown and described.

(21) Appl. No.: **29/431,499**

(22) Filed: **Sep. 7, 2012**

DESCRIPTION

(51) **LOC (9) Cl.** **14-02**

(52) **U.S. Cl.**
USPC **D14/349**

(58) **Field of Classification Search**
USPC D13/162, 184, 199; 312/223.1–223.3,
312/351.11; 360/99.01–99.12;
369/34.01–36.01; 361/679.6, 679.31–679.33
See application file for complete search history.

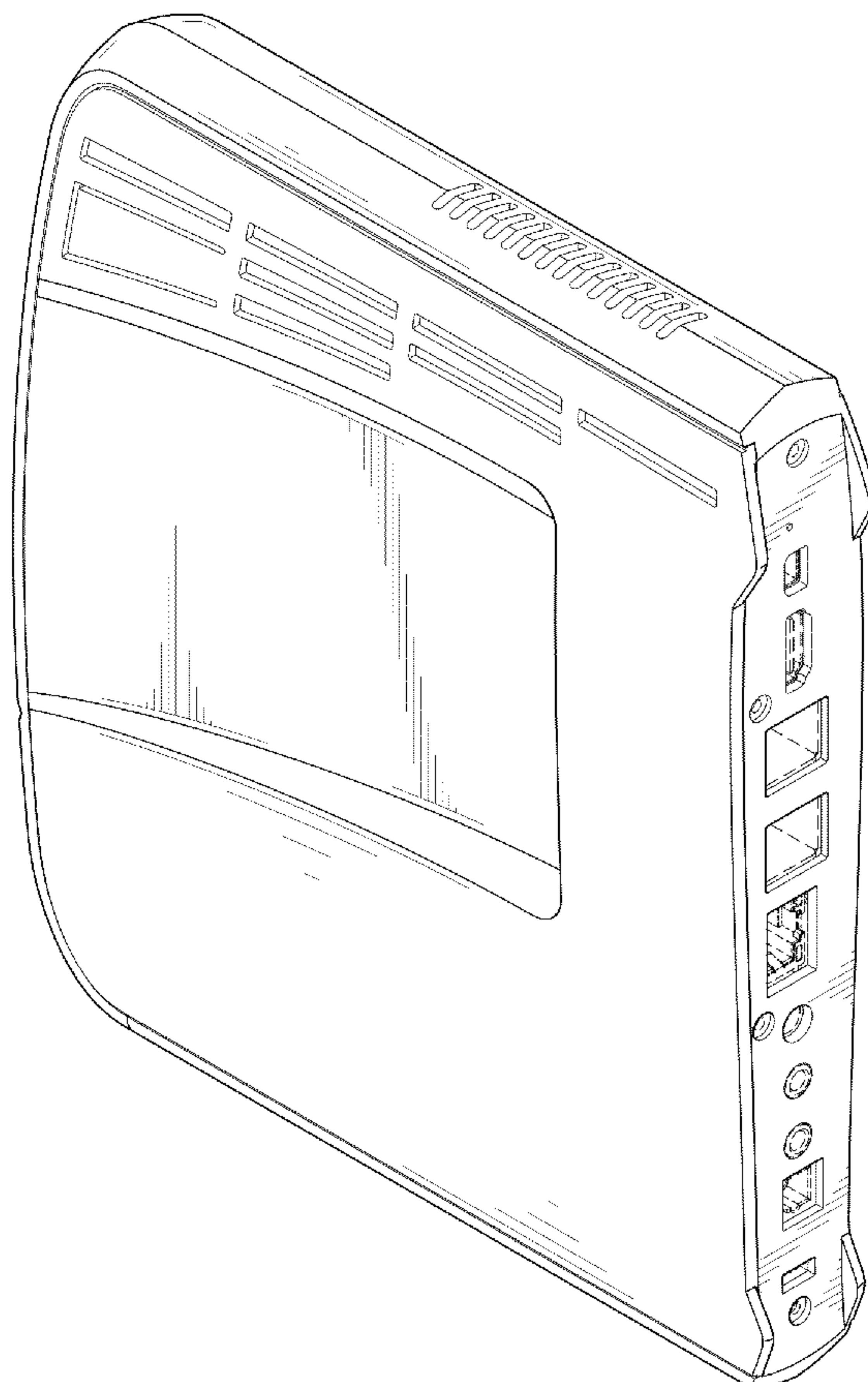
FIG. 1 is a perspective view of a miniature computer base unit showing my new design;
FIG. 2 is another perspective view thereof;
FIG. 3 is a front view thereof;
FIG. 4 is a rear view thereof;
FIG. 5 is a left view thereof;
FIG. 6 is a right view thereof;
FIG. 7 is a top view thereof;
FIG. 8 is a bottom view thereof; and,
FIG. 9 is a perspective view thereof with a bracket.
The portions of the Figures shown in broken lines are shown for illustrative purposes only and form no part of the claimed design.

(56) **References Cited**

U.S. PATENT DOCUMENTS

5,934,774	A *	8/1999	Wu et al.	312/223.2
6,366,455	B1 *	4/2002	Diaz et al.	361/679.4
D490,804	S *	6/2004	Whitehorn et al.	D14/308
D590,390	S *	4/2009	Musgrave et al.	D14/352

1 Claim, 7 Drawing Sheets



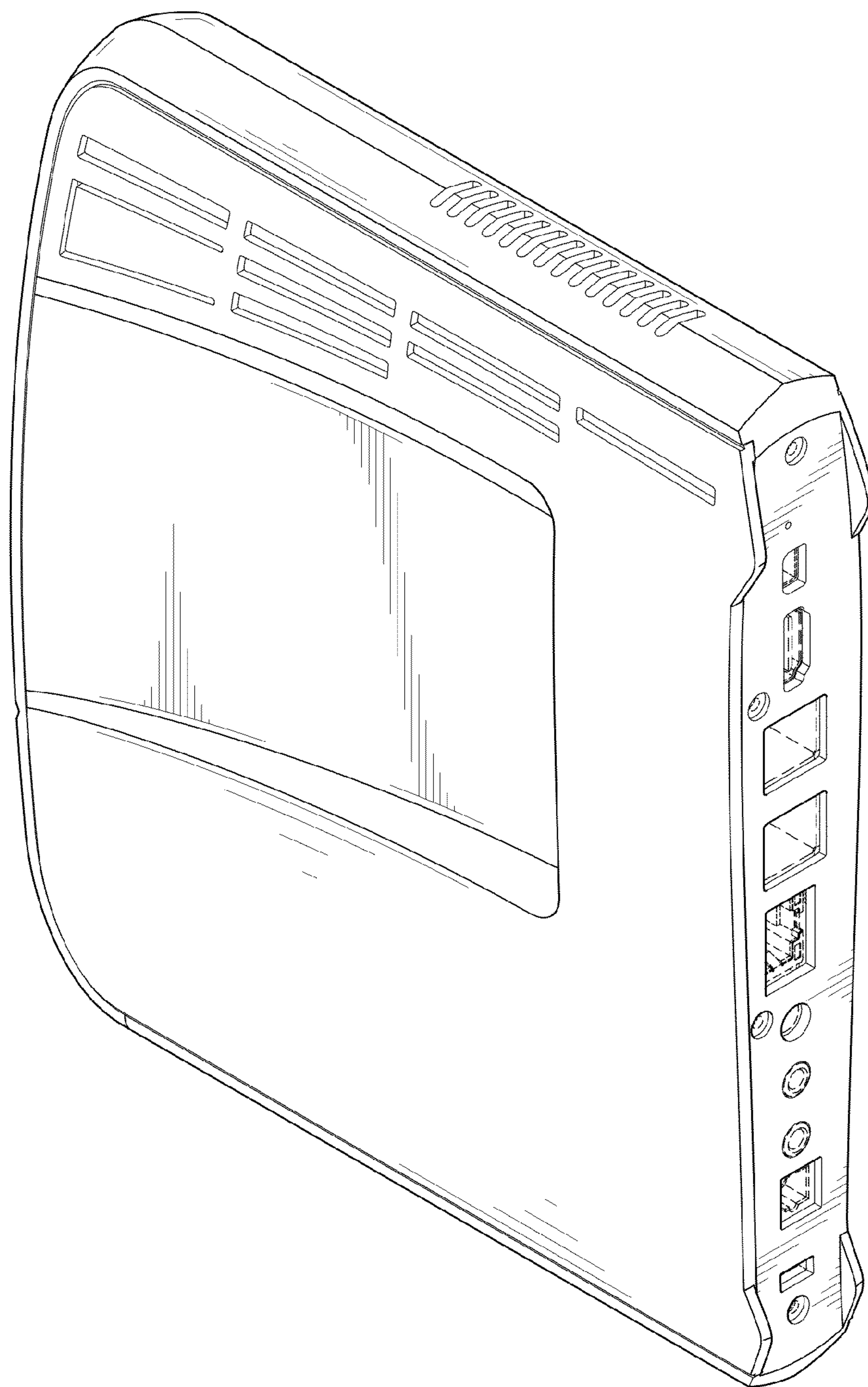


FIG. 1

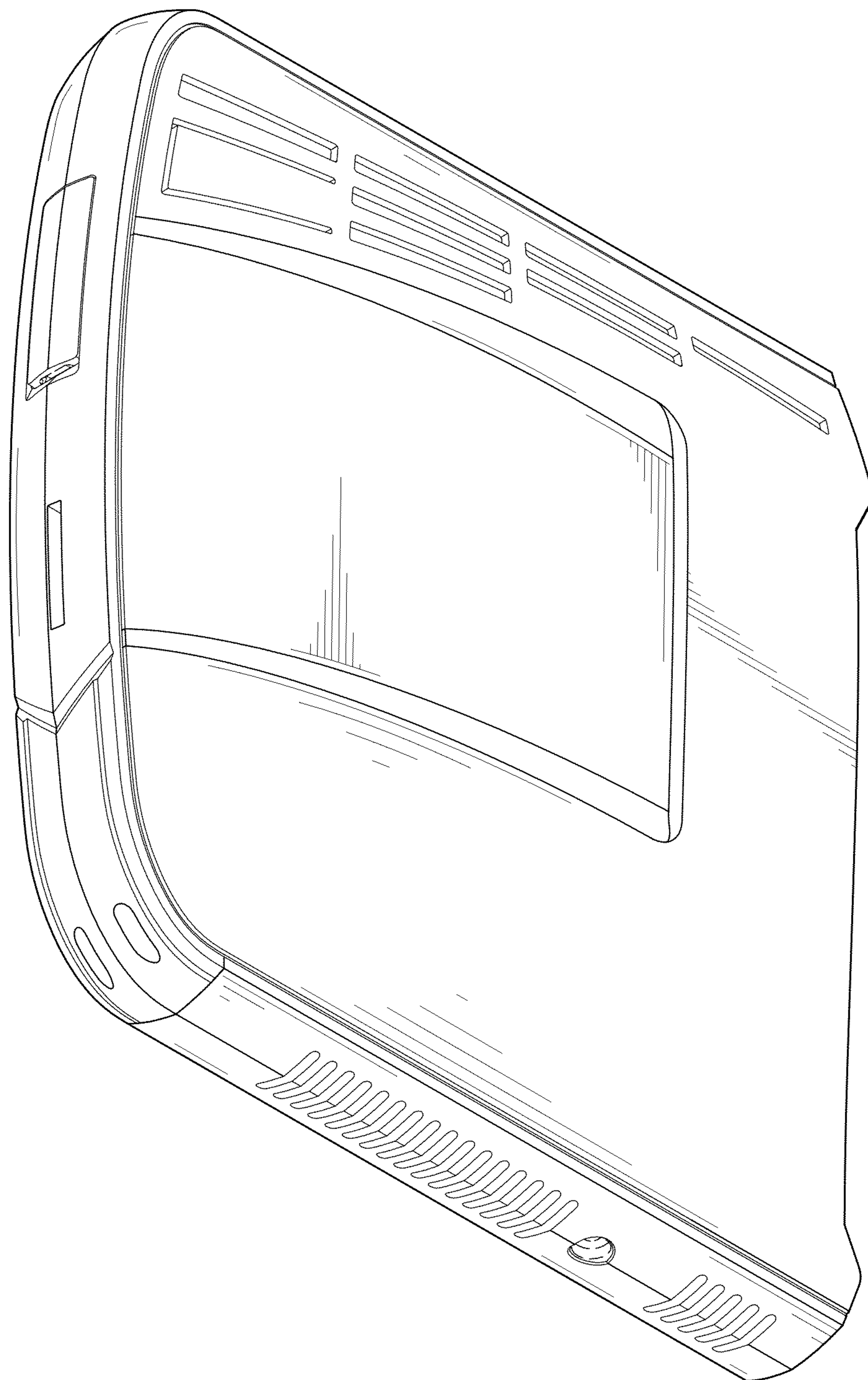


FIG. 2

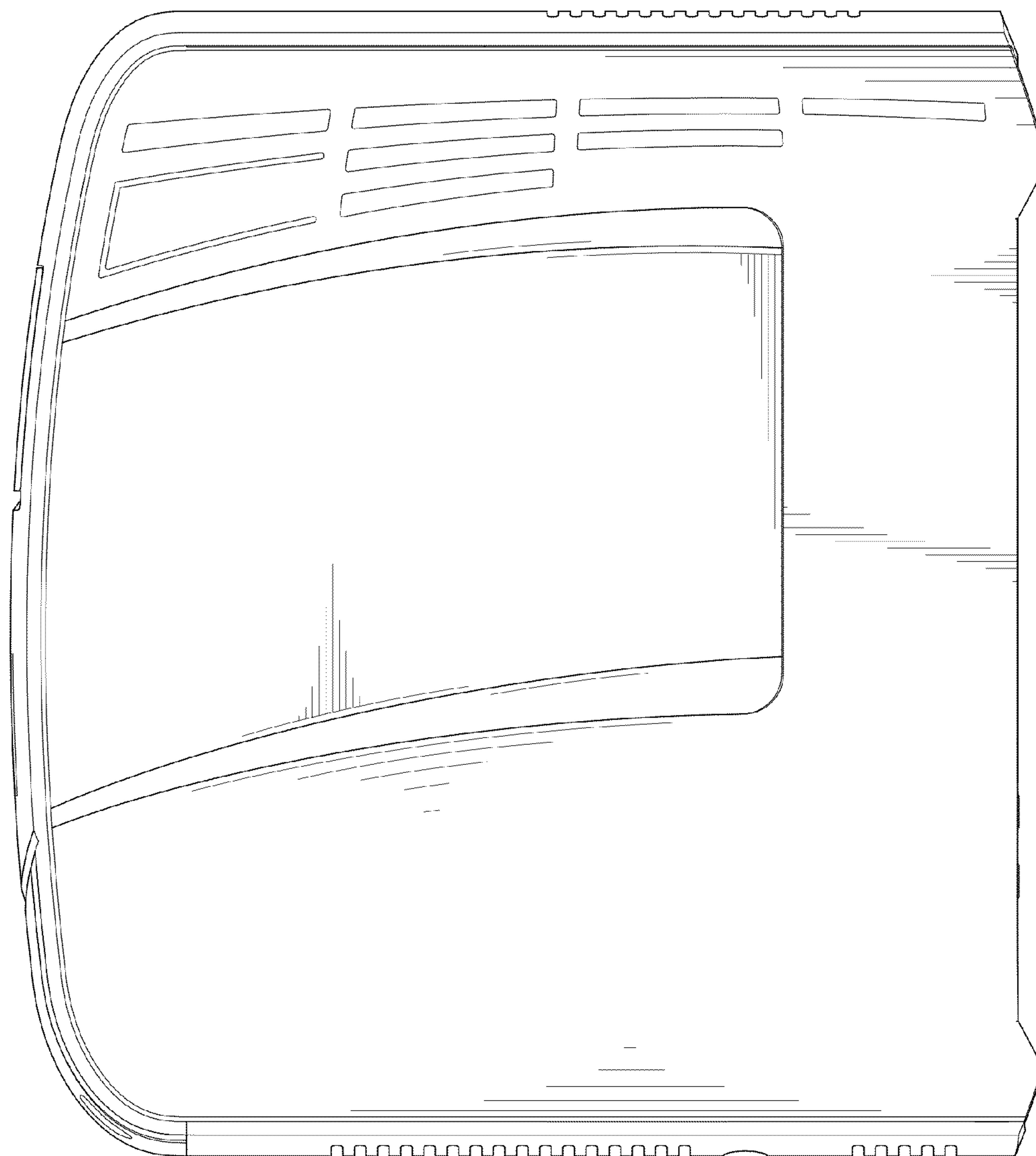


FIG. 3

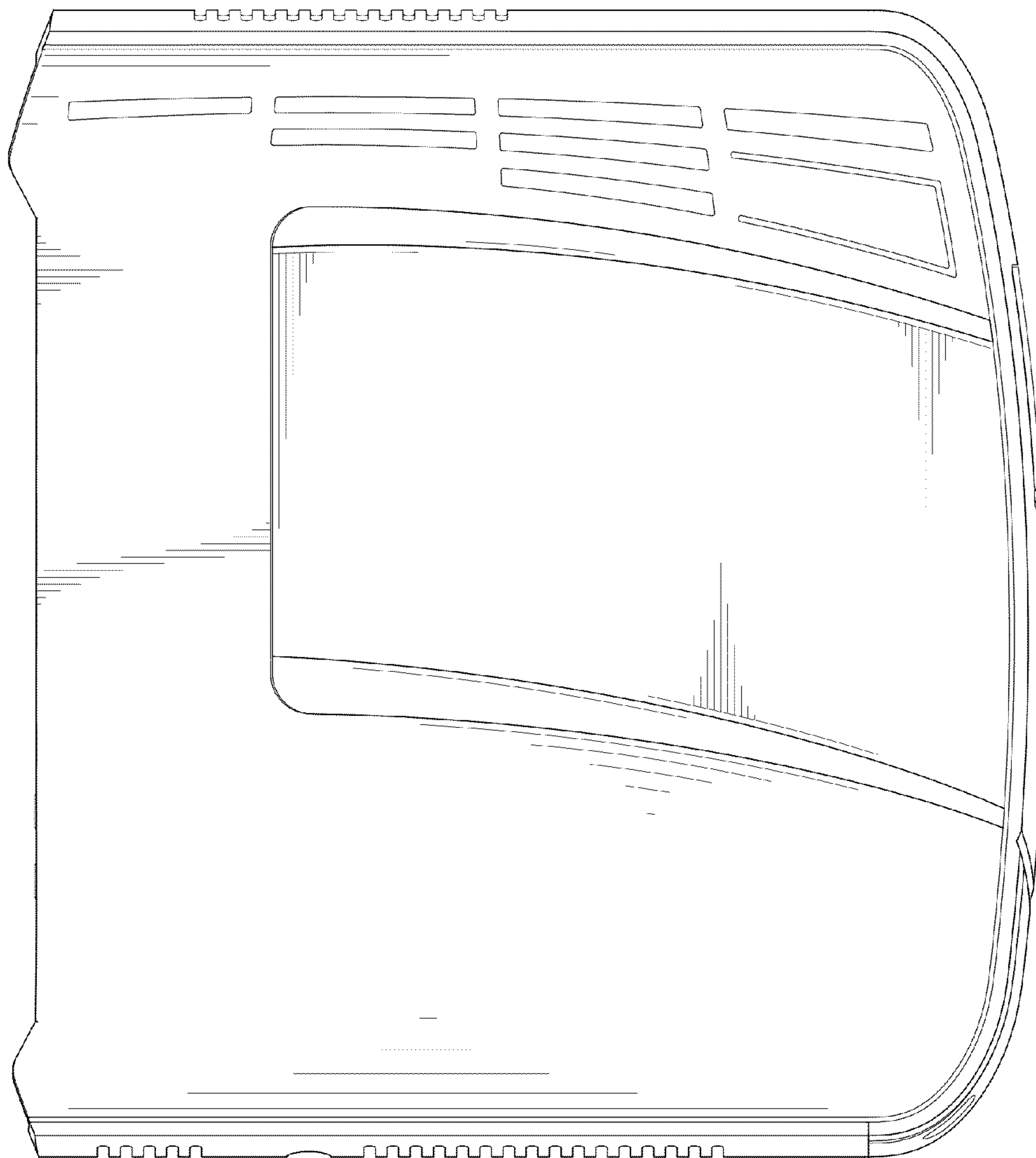


FIG. 4

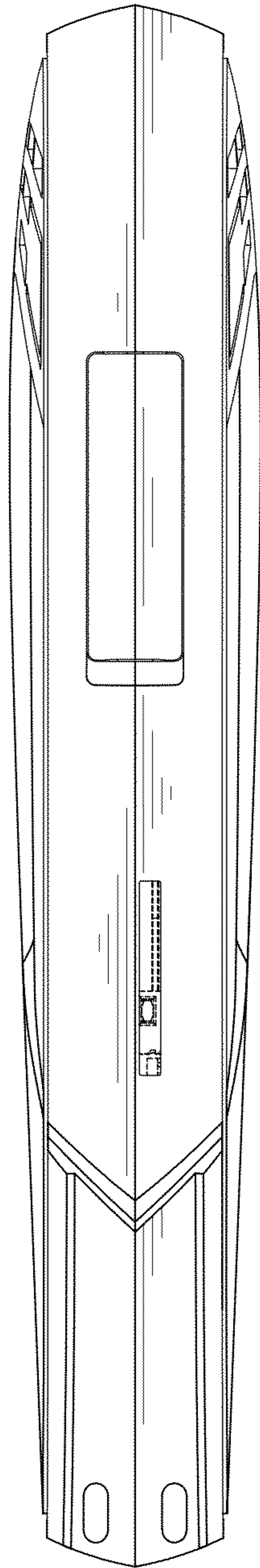


FIG. 5

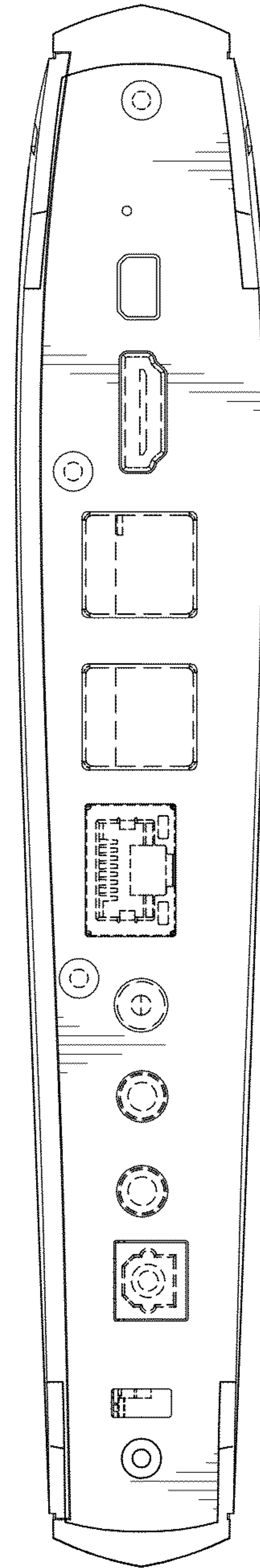


FIG. 6

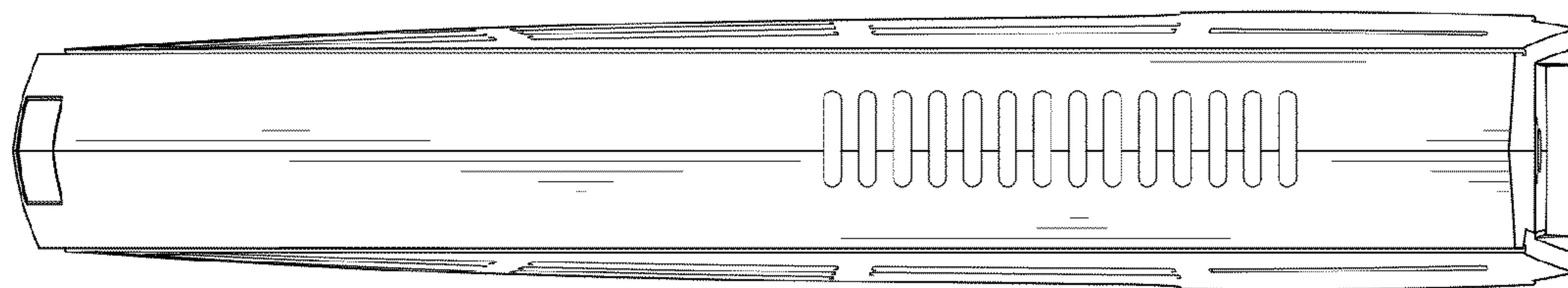


FIG. 7

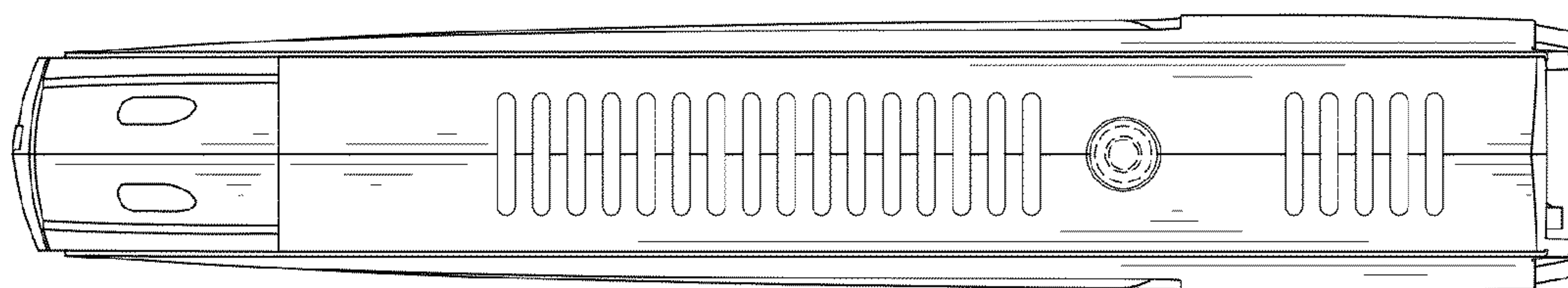


FIG. 8

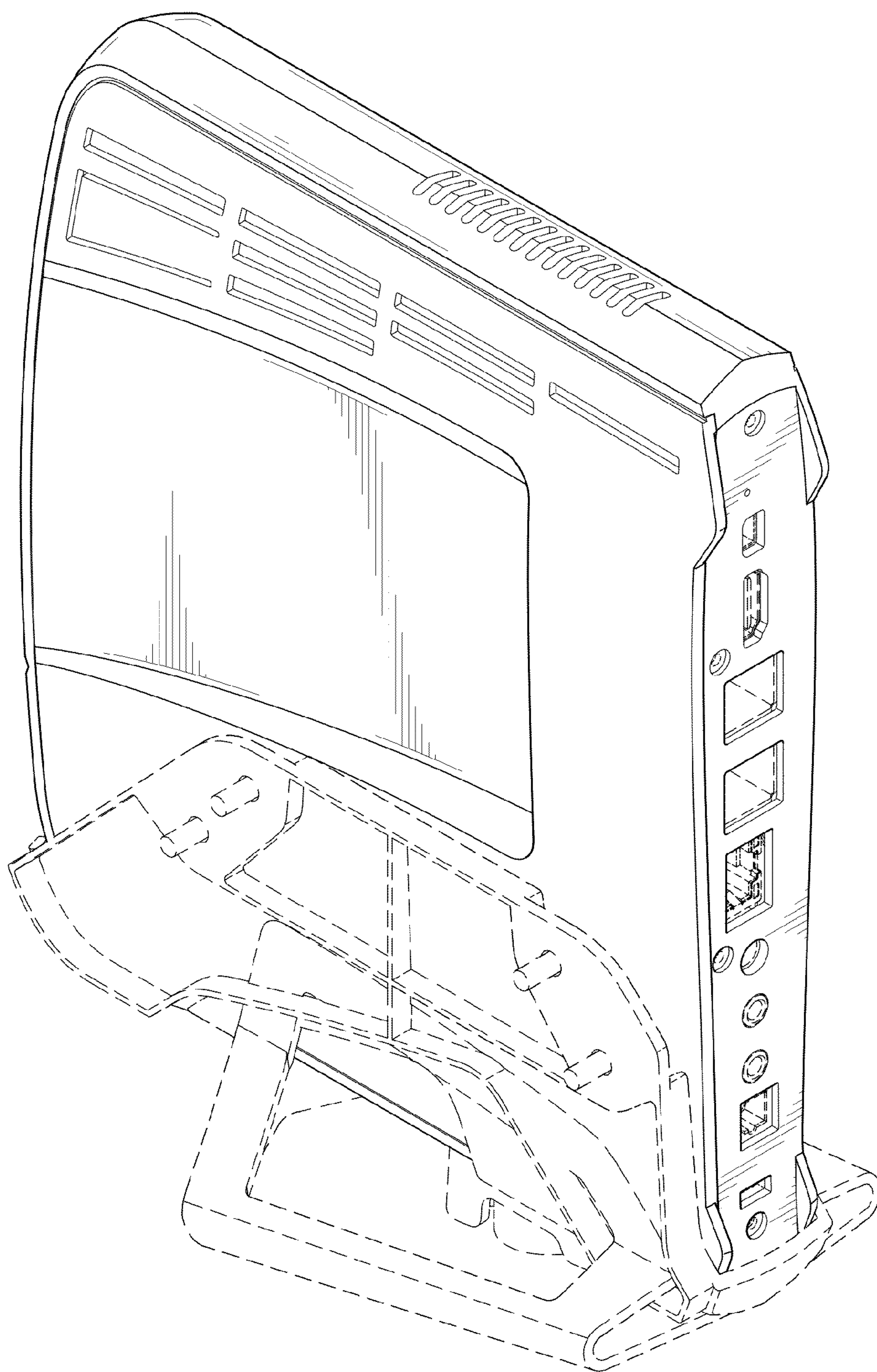


FIG. 9