

US00D691132S

(12) **United States Design Patent**
Sharma et al.

(10) **Patent No.:** **US D691,132 S**

(45) **Date of Patent:** **** *Oct. 8, 2013**

(54) **MOBILE COMPUTING DEVICE**

(75) Inventors: **Sameer Sharma**, Santa Clara, CA (US);
Gadi Amit, San Mateo, CA (US);
Yoshikazu Hoshino, San Francisco, CA
(US); **Chadwick Harber**, San Francisco,
CA (US); **Daniel Clifton**, San Francisco,
CA (US); **Kenneth Jasinski**, South San
Francisco, CA (US)

(73) Assignee: **Intel Corporation**, Santa Clara, CA
(US)

(*) Notice: This patent is subject to a terminal dis-
claimer.

(**) Term: **14 Years**

(21) Appl. No.: **29/411,624**

(22) Filed: **Jan. 24, 2012**

(51) **LOC (9) Cl.** **14-02**

(52) **U.S. Cl.**
USPC **D14/341**

(58) **Field of Classification Search**
USPC D14/341-347, 138 C, 137, 138,
D14/138.1, 138 AA, 138 R, 138 G, 496,
D14/203.1, 203.3, 203.4, 203.5, 203.7, 432,
D14/129, 130, 439, 448, 147, 218, 248, 389,
D14/388, 315-318; D21/324, 331; D19/59-60;
D10/65, 104; D18/6, 7; 455/556.1, 575.1,
455/575.3, 575.4; 345/169, 156-157, 168,
345/173; 341/22, 23; 361/679.27

See application file for complete search history.

(56) **References Cited**

U.S. PATENT DOCUMENTS

D386,751 S * 11/1997 Michael, III D14/346
D399,526 S * 10/1998 Brady D14/345
D430,871 S * 9/2000 Chu et al. D14/345
D436,951 S * 1/2001 Andresen D14/336

6,693,367 B1 2/2004 Schmeisser et al.
D493,456 S * 7/2004 Ogasawara D14/345
D516,578 S * 3/2006 Matsuoka D14/496
D580,433 S * 11/2008 Chiang et al. D14/345
D593,091 S * 5/2009 Behar et al. D14/371
D611,467 S * 3/2010 Gou D14/315
D614,602 S * 4/2010 Yoo D14/203.7
7,748,634 B1 7/2010 Zehr et al.
D624,539 S * 9/2010 Tsai D14/356
D626,124 S * 10/2010 Chyan et al. D14/341

(Continued)

OTHER PUBLICATIONS

International Search Report and Written Opinion received for PCT
Patent Application No. PCT/US2012/022403, mailed Oct. 25, 2012,
9 pages.

Primary Examiner — Barbara Fox

(74) *Attorney, Agent, or Firm* — Kacvinsky Daisak PLLC

(57) **CLAIM**

The ornamental design for a mobile computing device, sub-
stantially as shown and described.

DESCRIPTION

FIG. 1 is a perspective view of a mobile computing device
showing the new design;

FIG. 2 is a front elevation view of the mobile computing
device of FIG. 1;

FIG. 3 is a rear elevation view of the mobile computing device
of FIG. 1;

FIG. 4 is an elevation view from the right side of the mobile
computing device of FIG. 1;

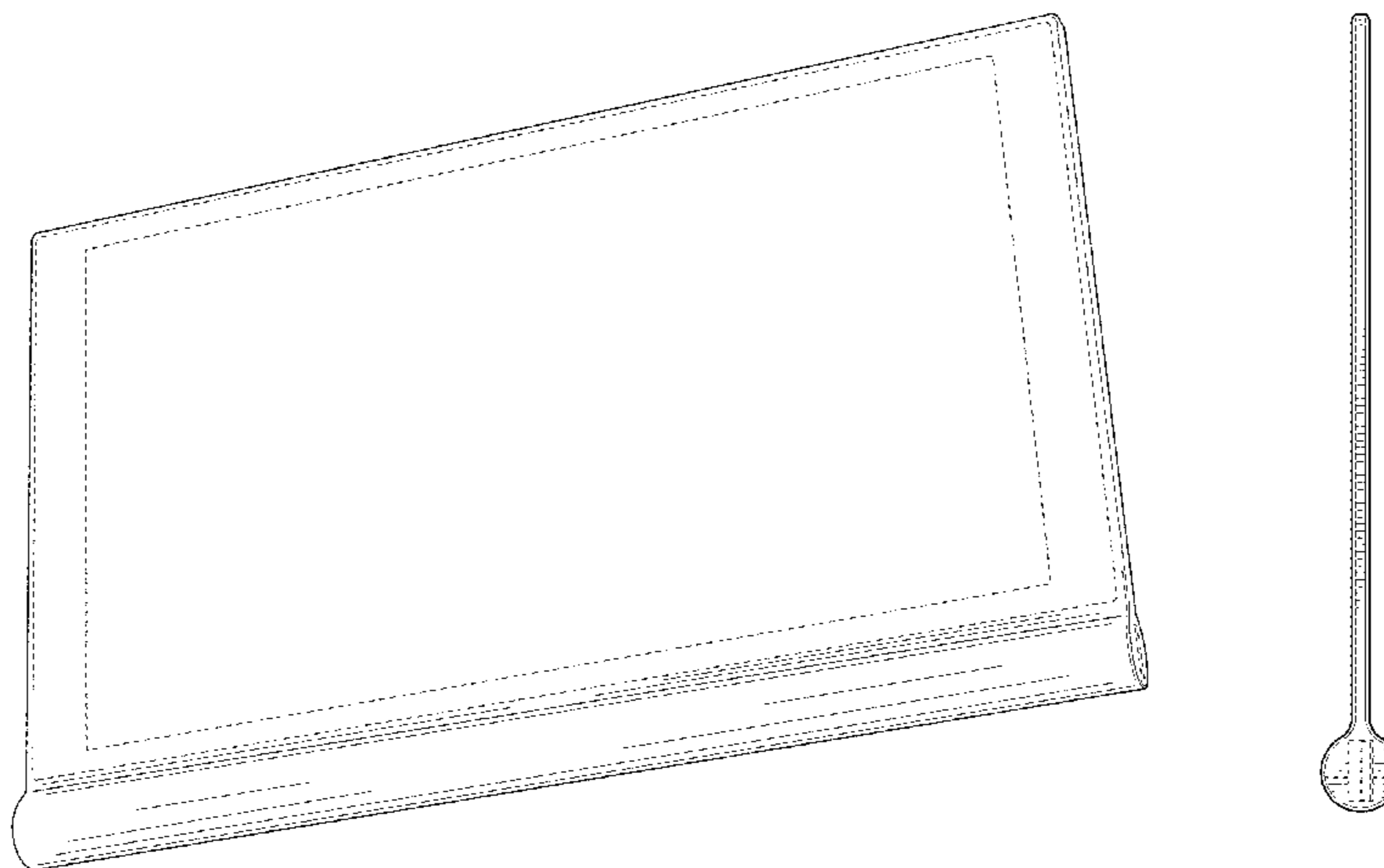
FIG. 5 is an elevation view from the left side of the mobile
computing device of FIG. 1;

FIG. 6 is a top plan view of the mobile computing device of
FIG. 1; and,

FIG. 7 is a bottom plan view of the mobile computing device
of FIG. 1.

The broken lines show portions of the mobile computing
device which form no part of the claimed design.

1 Claim, 5 Drawing Sheets



US D691,132 S

Page 2

(56)

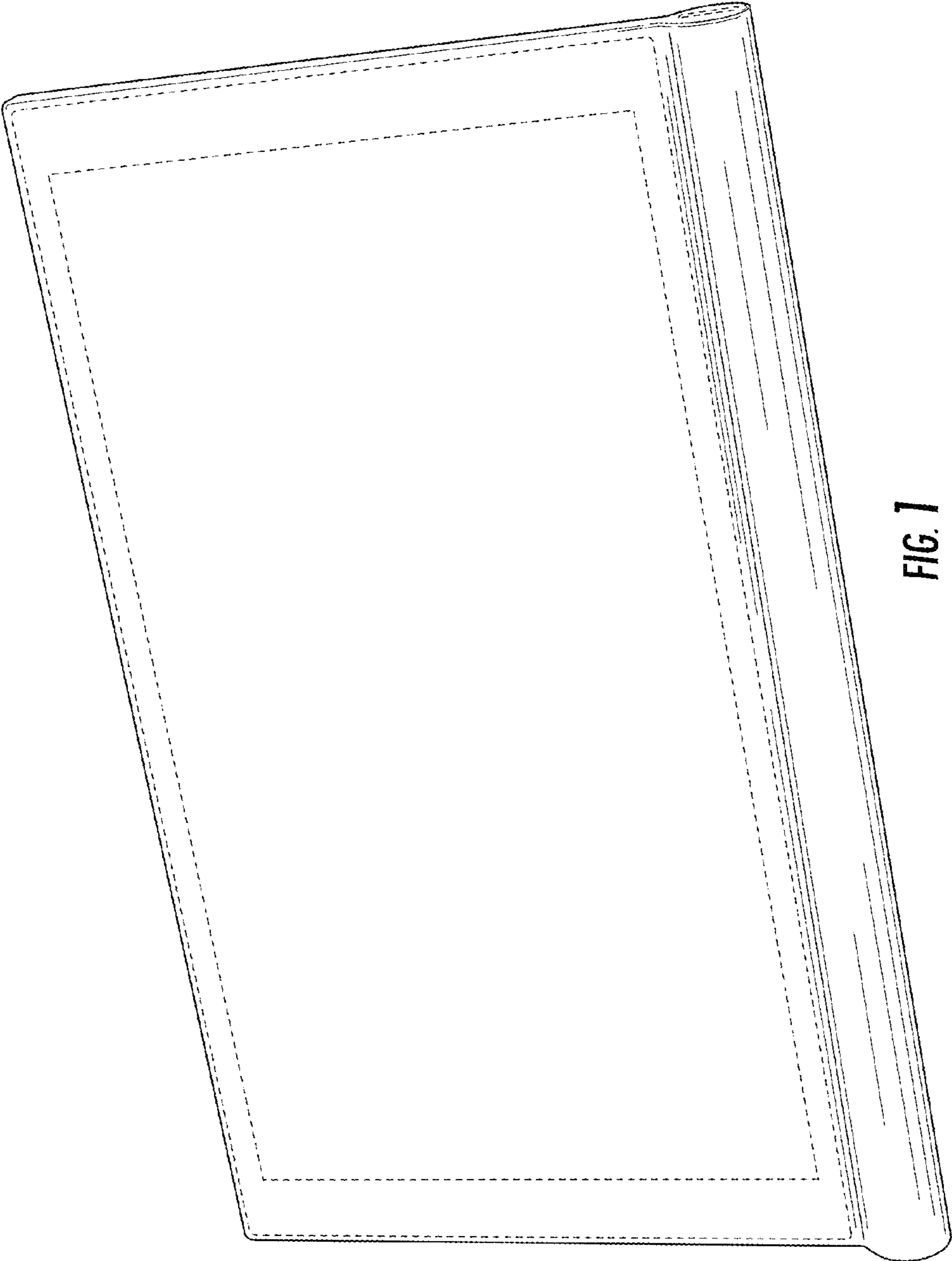
References Cited

U.S. PATENT DOCUMENTS

D628,569 S * 12/2010 Guo D14/341
D636,388 S * 4/2011 Kawase D14/315
D643,842 S * 8/2011 Marshall et al. D14/434
D659,693 S * 5/2012 Termeer et al. D14/342

D675,613 S * 2/2013 Chu et al. D14/341
8,379,382 B2 * 2/2013 Marshall et al. 361/679.41
2006/0012565 A1 1/2006 Shiozawa et al.
2012/0099264 A1 4/2012 Degner et al.
2012/0106047 A1* 5/2012 Chu et al. 361/679.01

* cited by examiner



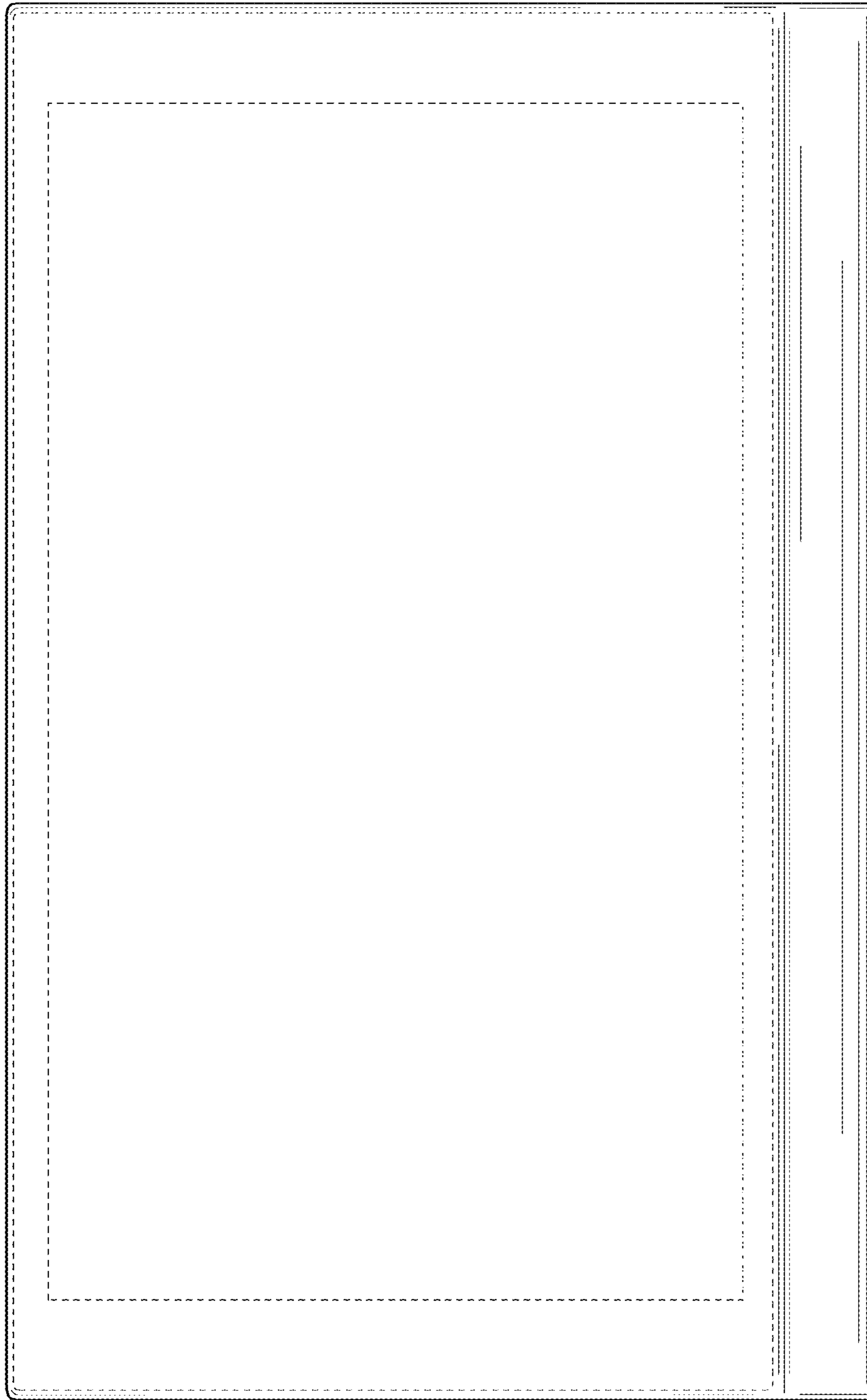


FIG. 2

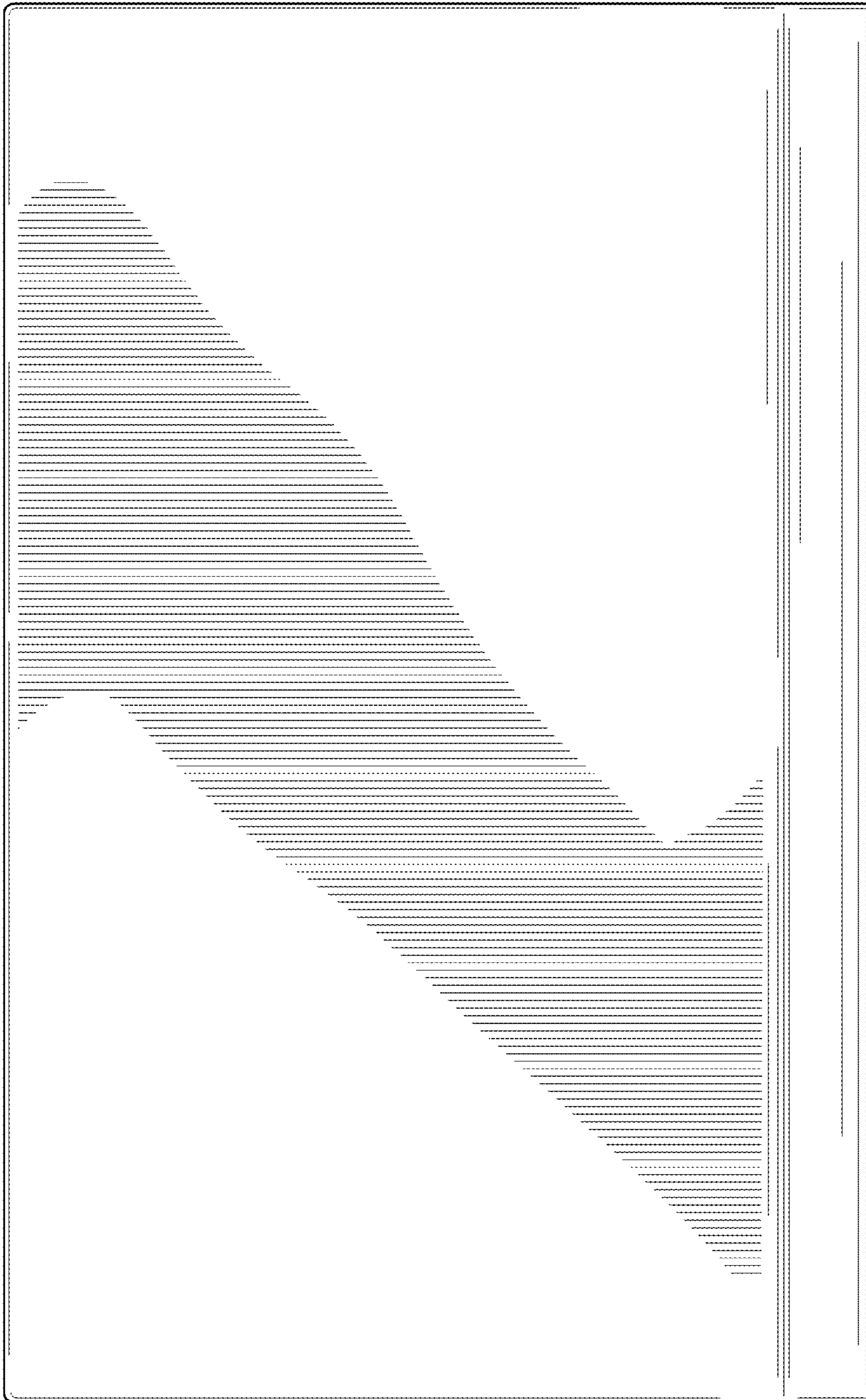


FIG. 3

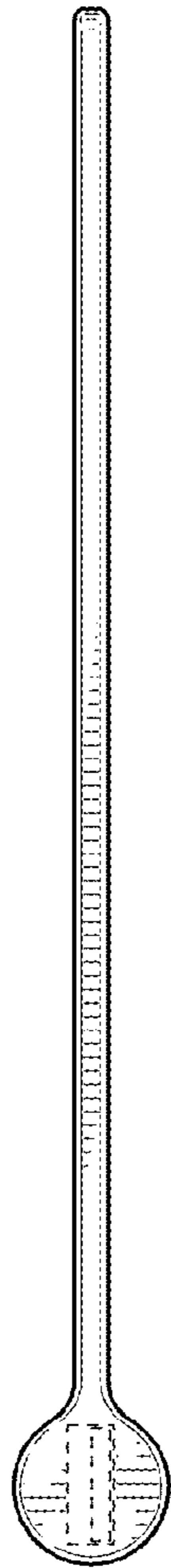


FIG. 4

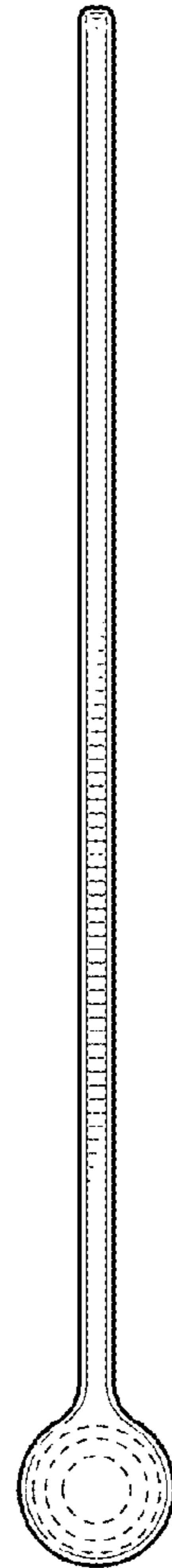


FIG. 5

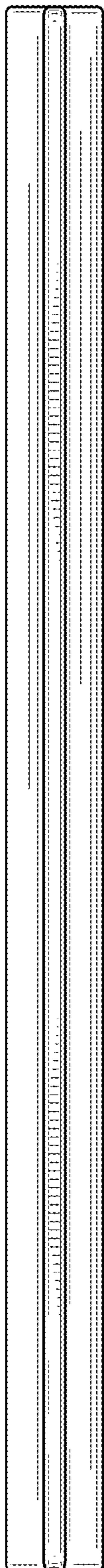


FIG. 6

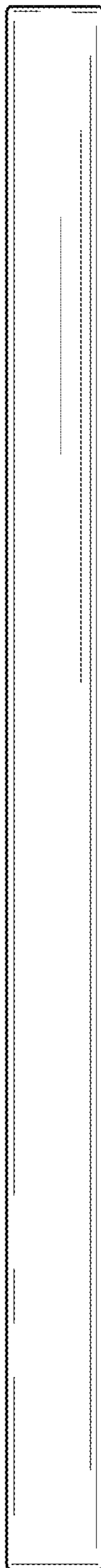


FIG. 7