



US00D691130S

(12) **United States Design Patent**  
**Hsu**

(10) **Patent No.:** **US D691,130 S**  
(45) **Date of Patent:** **\*\* Oct. 8, 2013**

- (54) **NOTEBOOK COMPUTER**
- (75) Inventor: **Chung-Hao Hsu**, New Taipei (TW)
- (73) Assignee: **Acer Incorporated**, New Taipei (TW)
- (\*\*) Term: **14 Years**
- (21) Appl. No.: **29/428,553**
- (22) Filed: **Jul. 31, 2012**

*Primary Examiner* — Freda S Nunn  
(74) *Attorney, Agent, or Firm* — Jianq Chyun IP Office

(57) **CLAIM**  
The ornamental design for a notebook computer, as shown and described.

- (30) **Foreign Application Priority Data**  
Jul. 2, 2012 (TW) ..... 101303847
- (51) **LOC (9) Cl.** ..... **14-02**
- (52) **U.S. Cl.**  
USPC ..... **D14/318**
- (58) **Field of Classification Search**  
USPC ..... D14/315–327, 455; D18/1, 2, 7,  
D18/11; 235/145 A, 145 R; 341/22, 23;  
345/104, 156, 168, 169, 173; 361/679.08,  
361/679.09, 679.11, 679.26, 679.27  
See application file for complete search history.

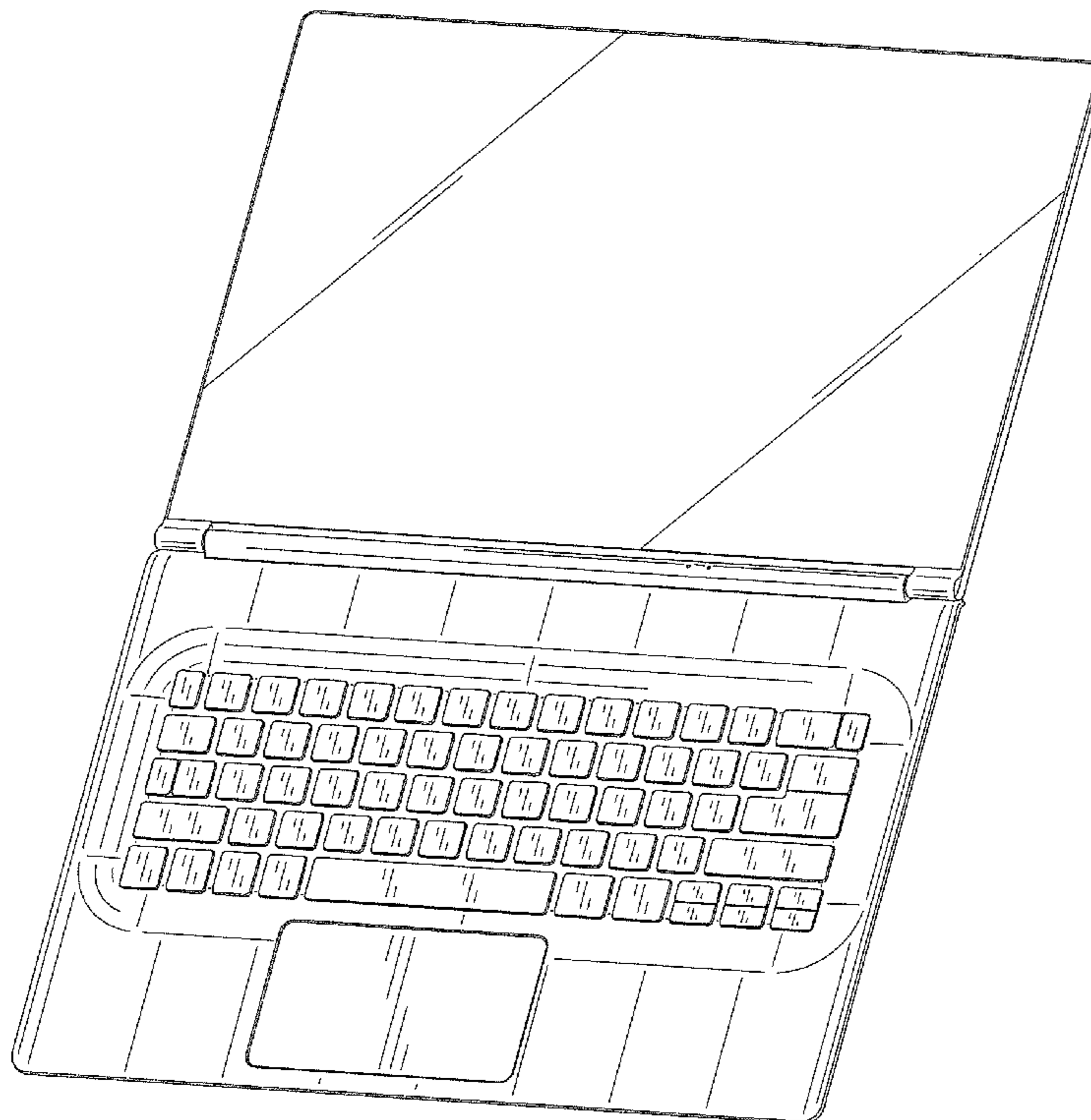
**DESCRIPTION**

FIG. 1 is a perspective view of a notebook computer showing my new design;  
FIG. 2 is a front view thereof;  
FIG. 3 is a rear view thereof;  
FIG. 4 is a left side view thereof;  
FIG. 5 is a right side view thereof;  
FIG. 6 is a top view thereof;  
FIG. 7 is a bottom view thereof;  
FIG. 8 is an enlarged view of an indicated portion of FIG. 3;  
FIG. 9 is an enlarged view of an indicated portion of FIG. 7;  
FIG. 10 is a cross-sectional view taken along line 10-10 in FIG. 2;  
FIG. 11 is an enlarged view of an indicated portion of FIG. 10;  
and,  
FIG. 12 is a perspective view thereof, shown in closed state.  
The broken line portions of the notebook computer in all views represent unclaimed portions of the claimed design and form no part thereof.

- (56) **References Cited**  
U.S. PATENT DOCUMENTS  
D516,079 S \* 2/2006 Solomon et al. .... D14/455  
D607,460 S \* 1/2010 Morishita et al. .... D14/455

\* cited by examiner

**1 Claim, 10 Drawing Sheets**



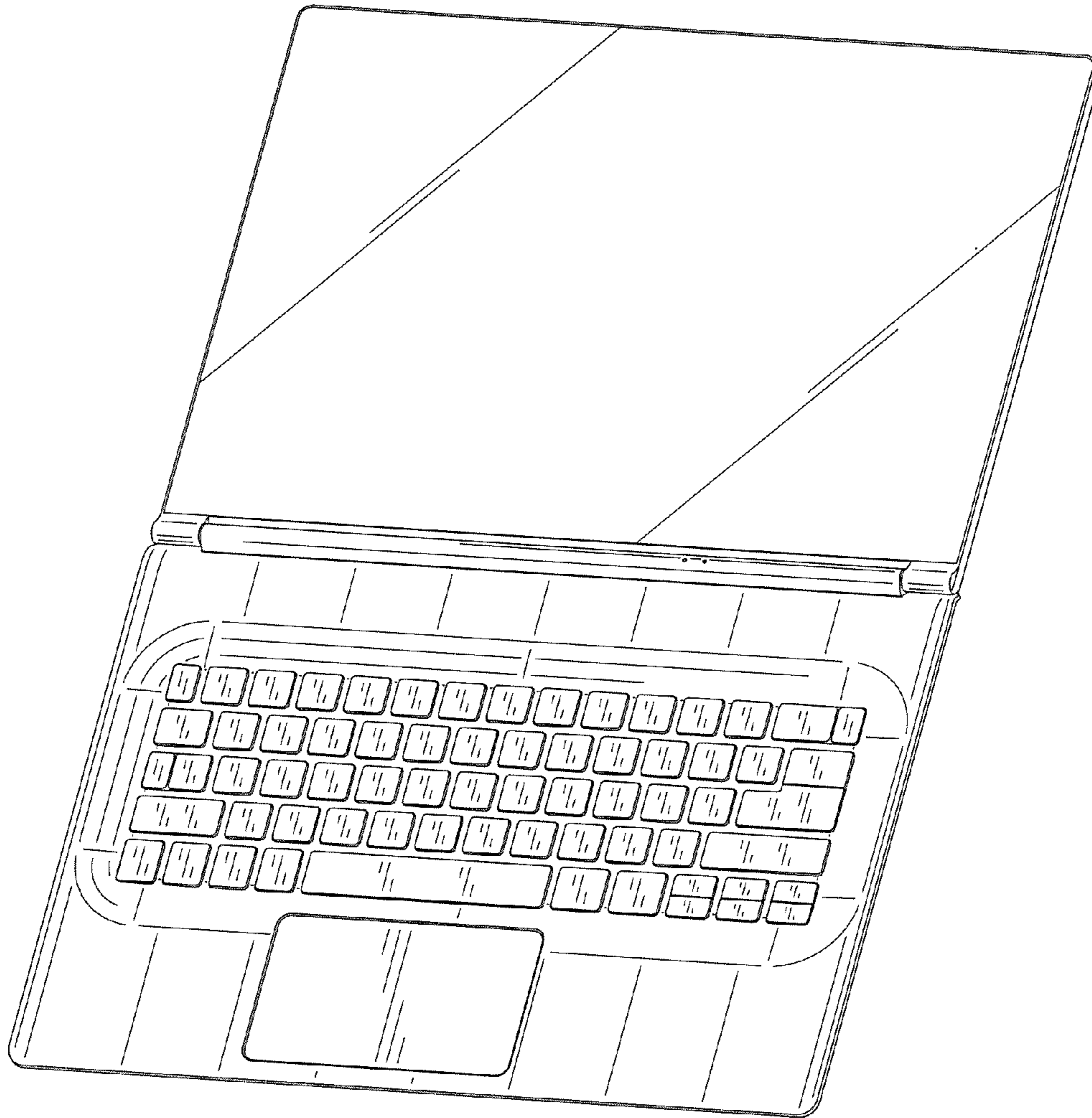


FIG. 1

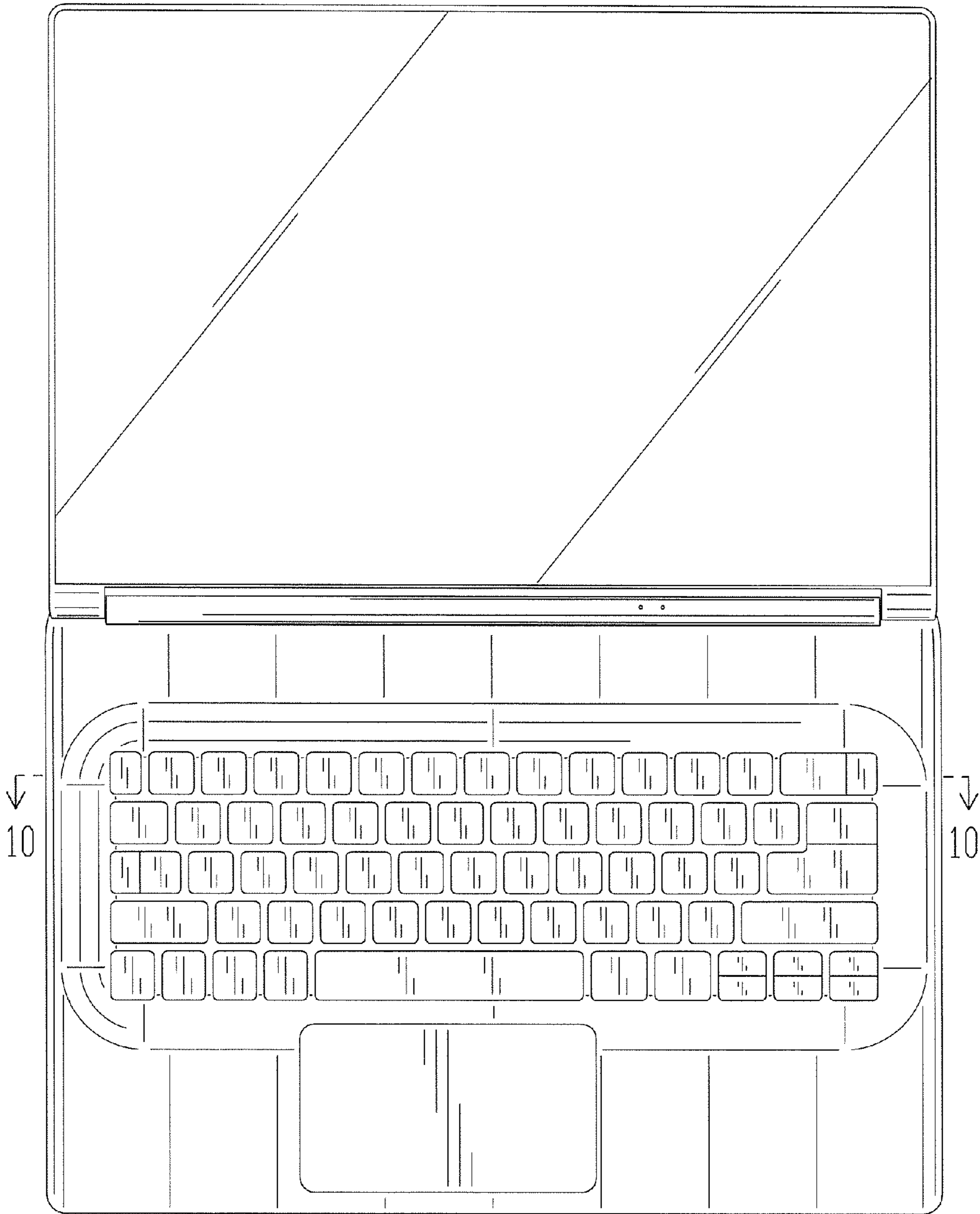


FIG. 2

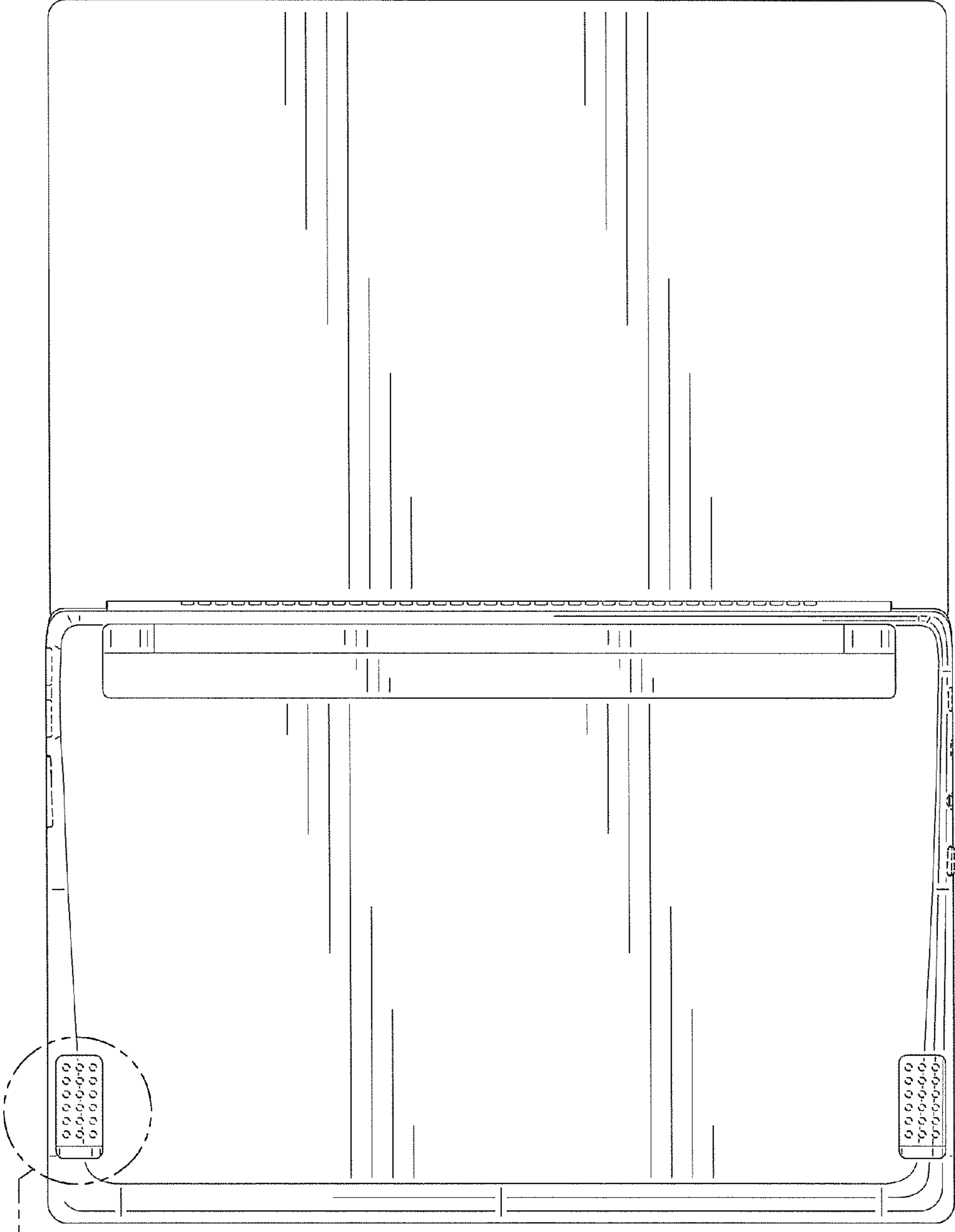


FIG. 8

FIG. 3



FIG. 4



FIG. 5

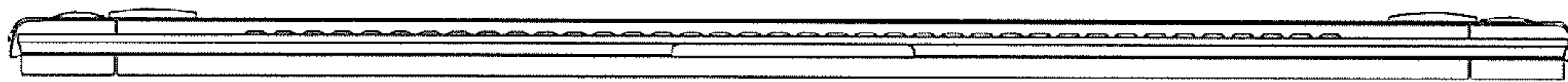


FIG. 6

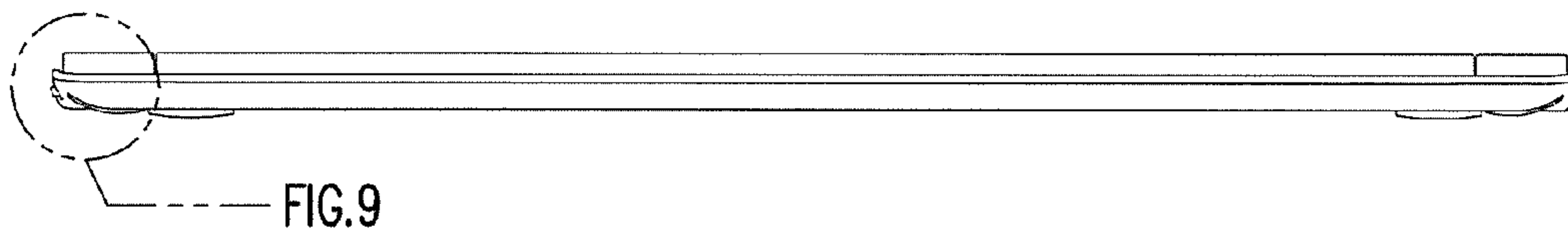


FIG. 7

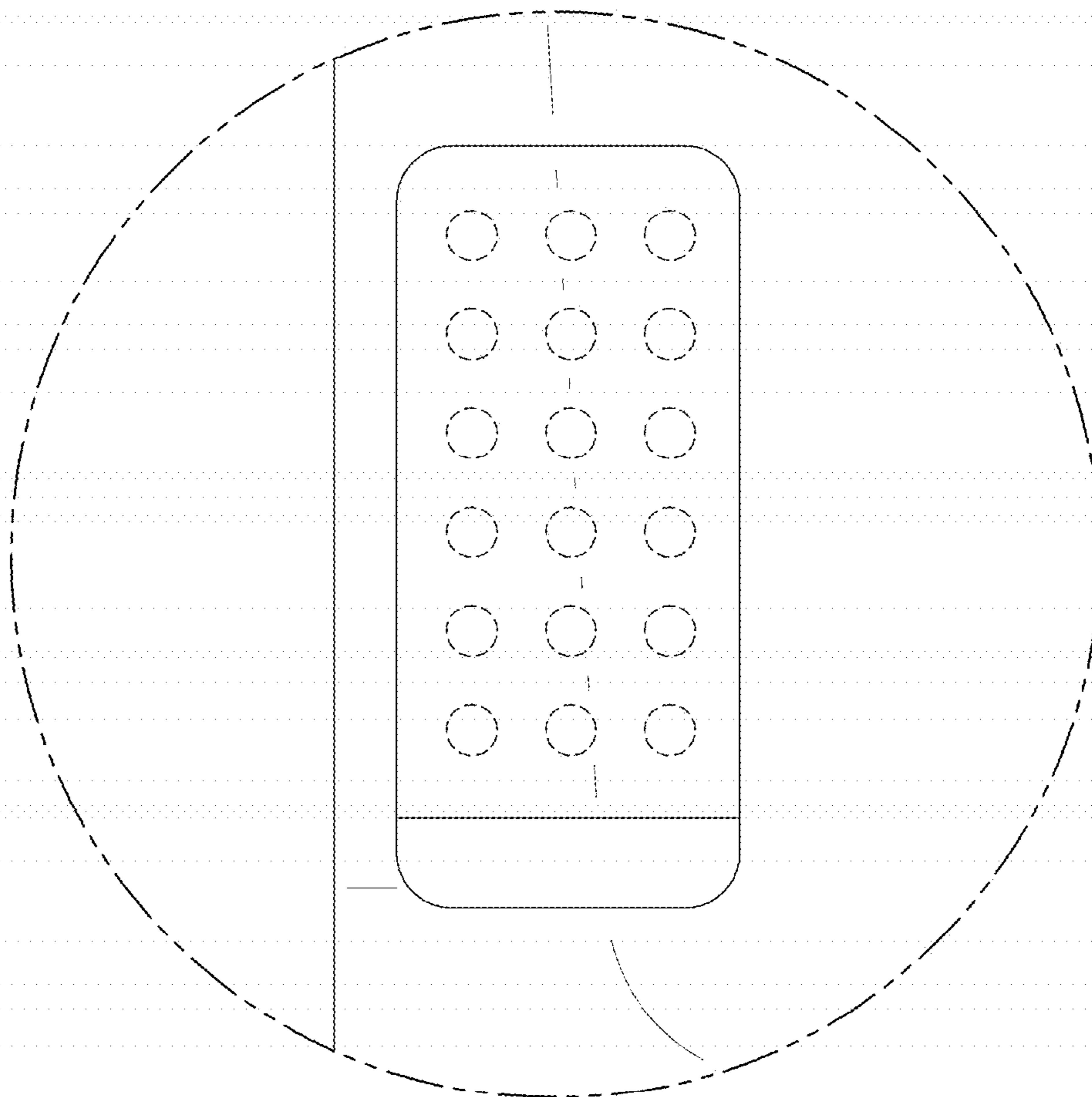


FIG. 8

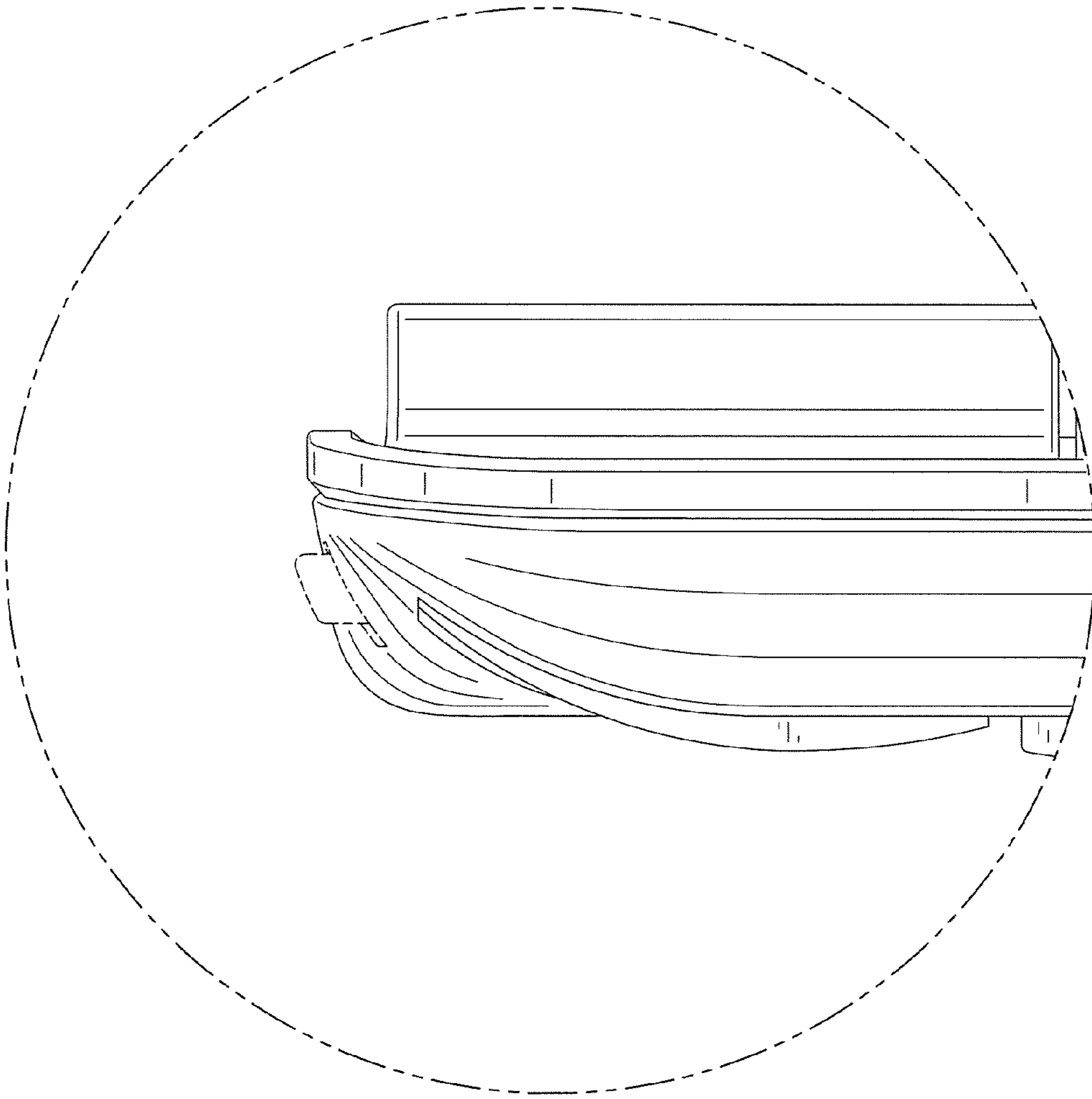


FIG. 9



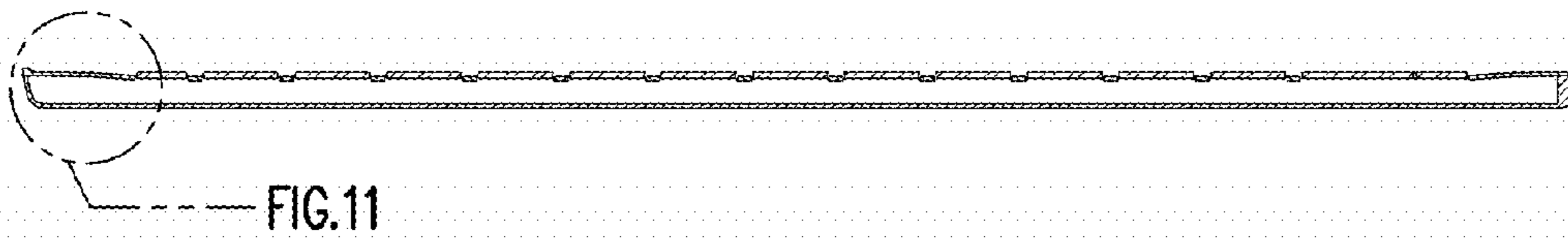


FIG. 10

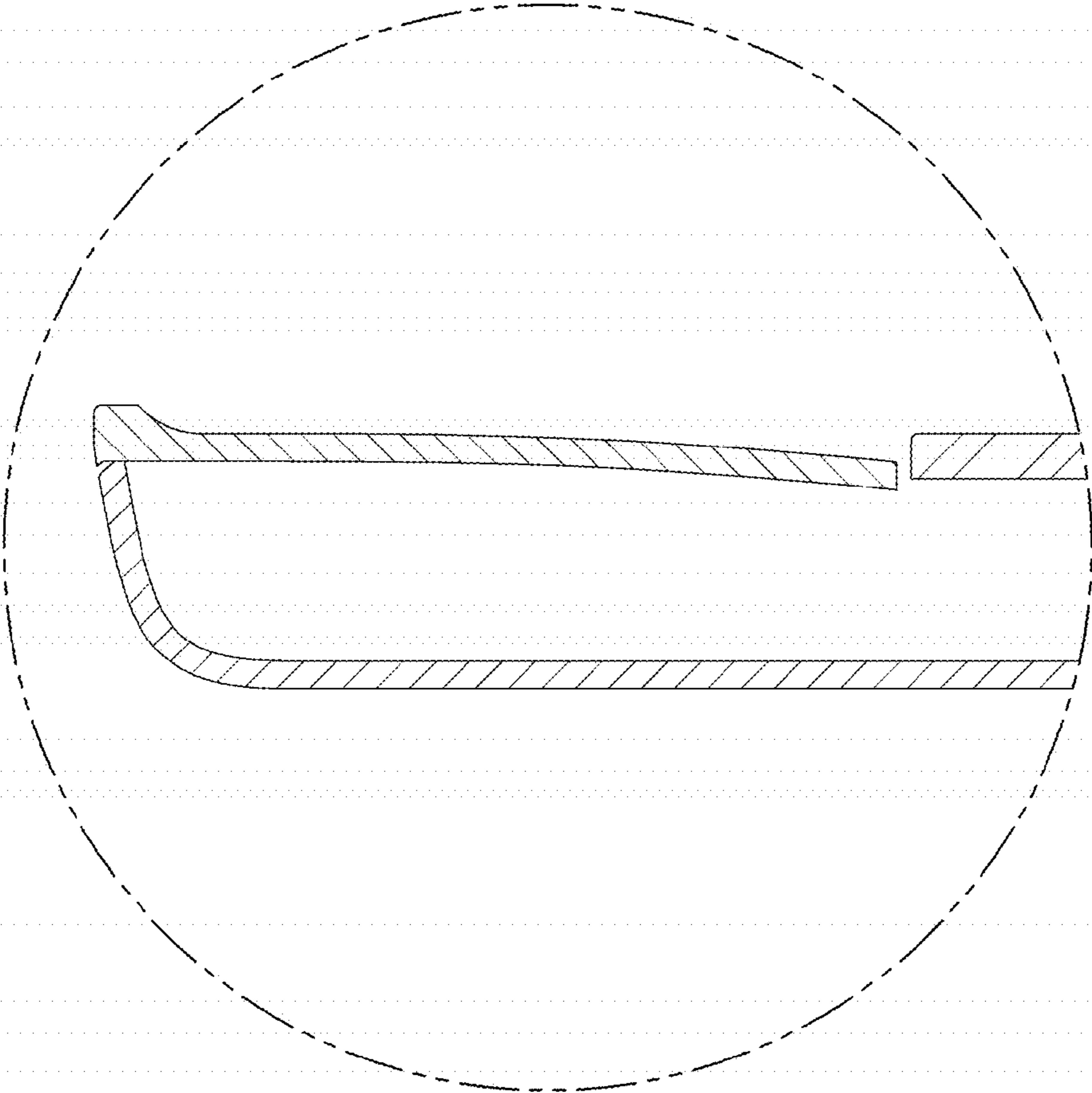


FIG. 11

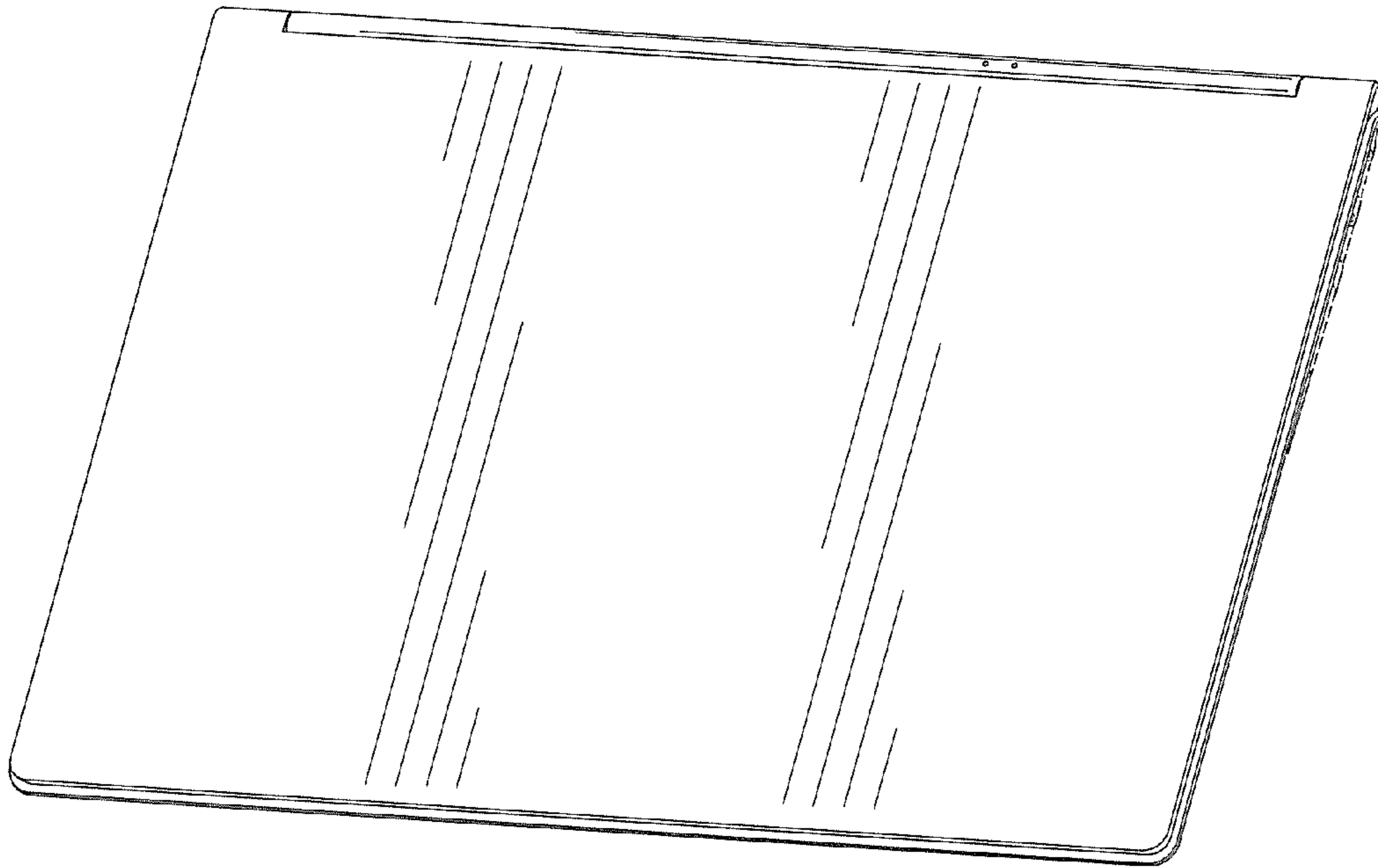


FIG. 12