

US00D691124S

(12) **United States Design Patent**
Yang

(10) **Patent No.:** **US D691,124 S**
(45) **Date of Patent:** **** Oct. 8, 2013**

(54) **PROTECTIVE CASE FOR ELECTRONIC DEVICE**

(71) Applicant: **The Joy Factory, Inc.**, Irvine, CA (US)

(72) Inventor: **Sampson Yang**, Irvine, CA (US)

(73) Assignee: **The Joy Factory, Inc.**, Irvine, CA (US)

(**) Term: **14 Years**

(21) Appl. No.: **29/445,266**

(22) Filed: **Feb. 8, 2013**

(51) **LOC (9) Cl.** **14-03**

(52) **U.S. Cl.**
USPC **D14/250**

(58) **Field of Classification Search**
USPC D14/250, 440, 238.1, 251-253, 203.3-203.7, D14/217, 496, 248, 240, 447, 341-347, 444; D13/103, 107-108, 119; D3/201, 218, 247, D3/269, 273, 301, 303; 248/309.1, 371, 248/176.3, 668; 361/679.56, 679.3, 679.25, 361/816; 379/426, 433.11, 455; 455/575.1, 455/575.8; 206/305, 320; 320/108, 115; 429/96; 220/4.02

See application file for complete search history.

(56) **References Cited**

U.S. PATENT DOCUMENTS

D378,020 S *	2/1997	Hatt	D3/218
D378,634 S *	4/1997	LaPere	D3/273
6,082,535 A *	7/2000	Mitchell	206/320
D459,346 S *	6/2002	Powell	D14/250
D485,834 S *	1/2004	Davetas	D14/250
D527,176 S *	8/2006	Andre et al.	D3/218
D539,530 S *	4/2007	Sanderson et al.	D3/218
D551,856 S *	10/2007	Ko et al.	D3/218
D553,851 S *	10/2007	MacAuley	D3/218
D560,350 S *	1/2008	Scapillato et al.	D3/201
D577,904 S *	10/2008	Sasaki	D3/201
D597,301 S *	8/2009	Richardson et al.	D3/218
D605,850 S *	12/2009	Richardson et al.	D3/218

D613,282 S *	4/2010	Richardson et al.	D14/250
D615,535 S *	5/2010	Richardson et al.	D14/250
D631,246 S *	1/2011	Boettner	D3/218
D657,782 S *	4/2012	Biller	D14/250
D668,458 S *	10/2012	Lee et al.	D3/303

(Continued)

OTHER PUBLICATIONS

Review of The Joy Factory aXtion Pro case for iPhone 5, Published on Jan 24, 2013, <URL:http://www.youtube.com/watch?v=5XWSTUHJjDY>, retrieved from internet on May 4, 2013.*

(Continued)

Primary Examiner — Carla Jobe Wright

(74) *Attorney, Agent, or Firm* — Chun-Ming Shih

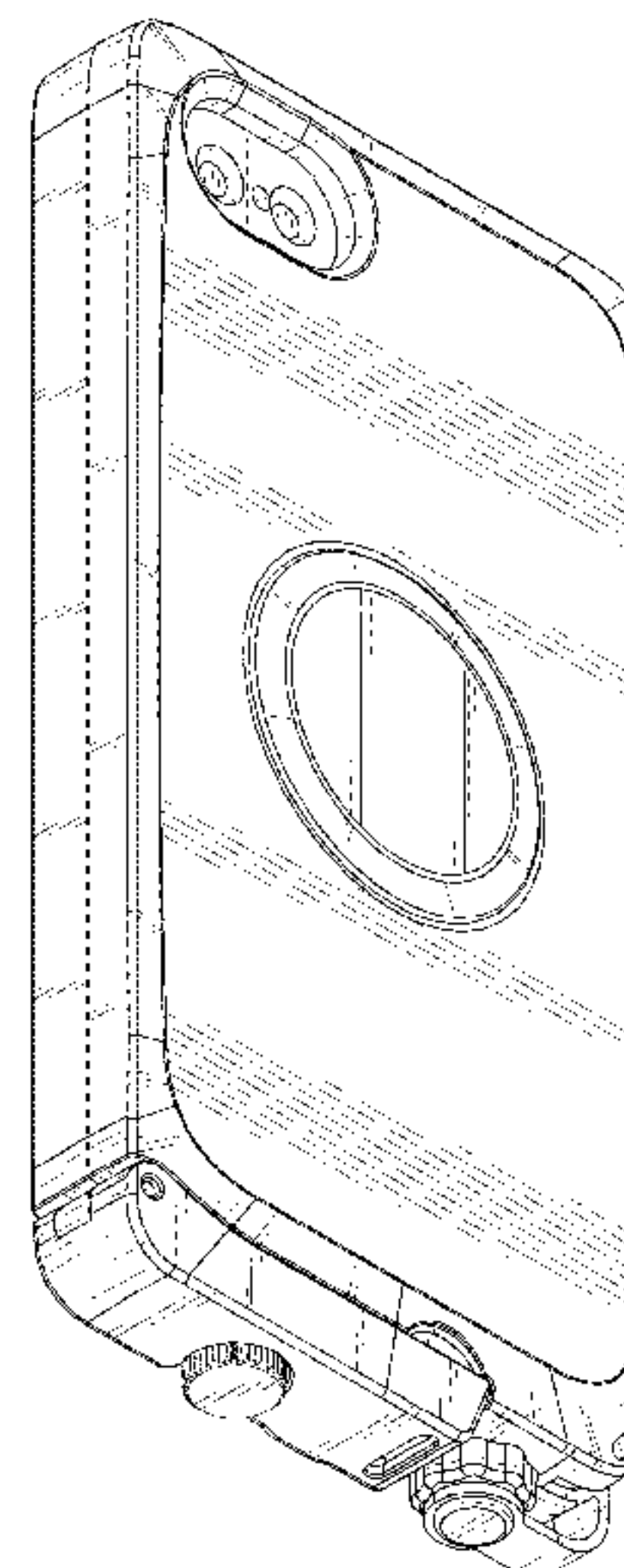
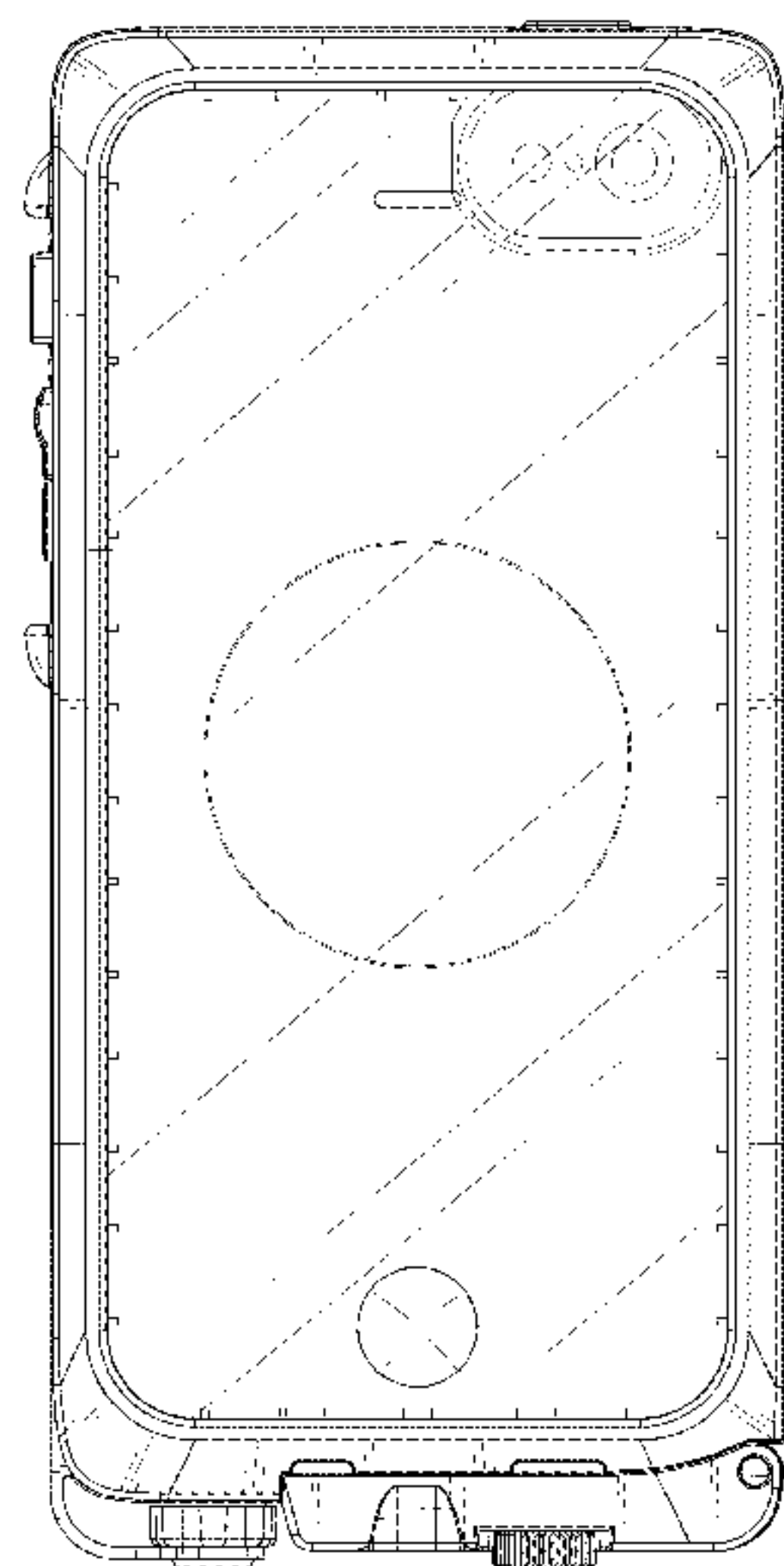
(57) **CLAIM**

The ornamental design for a protective case for electronic device, as shown and described.

DESCRIPTION

FIG. 1 is a front perspective view of a protective case for electronic device showing my new design; FIG. 2 is a front elevational view thereof; FIG. 3 is a rear elevational view thereof; FIG. 4 is a left side elevational view thereof; FIG. 5 is a right side elevational view thereof; FIG. 6 is a top view thereof; FIG. 7 is a bottom view thereof; FIG. 8 is rear perspective view thereof; and, FIG. 9 is a rear perspective view thereof showing the bottom cap connector in an alternate position and showing an unclaimed electronic device behind the transparent front surface of the protective case. In FIG. 9, the surface behind the obliquely-shaded transparent front surface and the broken lines on the surface behind the transparent front surface of the protective case depict an unclaimed electronic device.

1 Claim, 7 Drawing Sheets



(56)

References Cited

U.S. PATENT DOCUMENTS

D670,280 S * 11/2012 Rayner D14/250
8,342,325 B2 * 1/2013 Rayner 206/320
D677,250 S * 3/2013 Takamoto D14/250
2011/0253569 A1 * 10/2011 Lord 206/320
2012/0018323 A1 * 1/2012 Johnson et al. 206/320
2013/0063004 A1 * 3/2013 Lai et al. 312/223.1

OTHER PUBLICATIONS

Review: 10 of the Best Waterproof Iphone 5 Cases, published on Dec. 20, 2012, <URL:<http://www.gadgetreview.com/2012/12/10-of-the-best-waterproof-iphone-5-cases.html>>, retrieved from internet on May 4, 2013.*

* cited by examiner

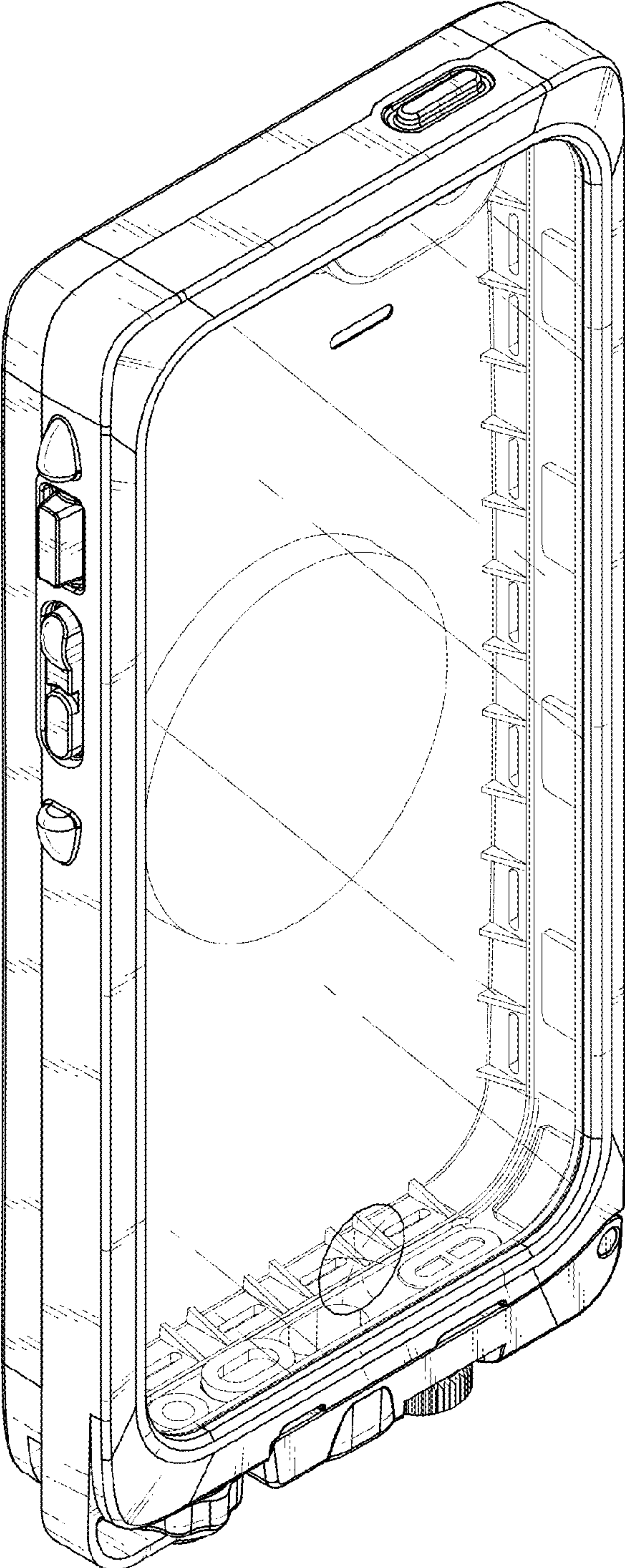


FIG.1

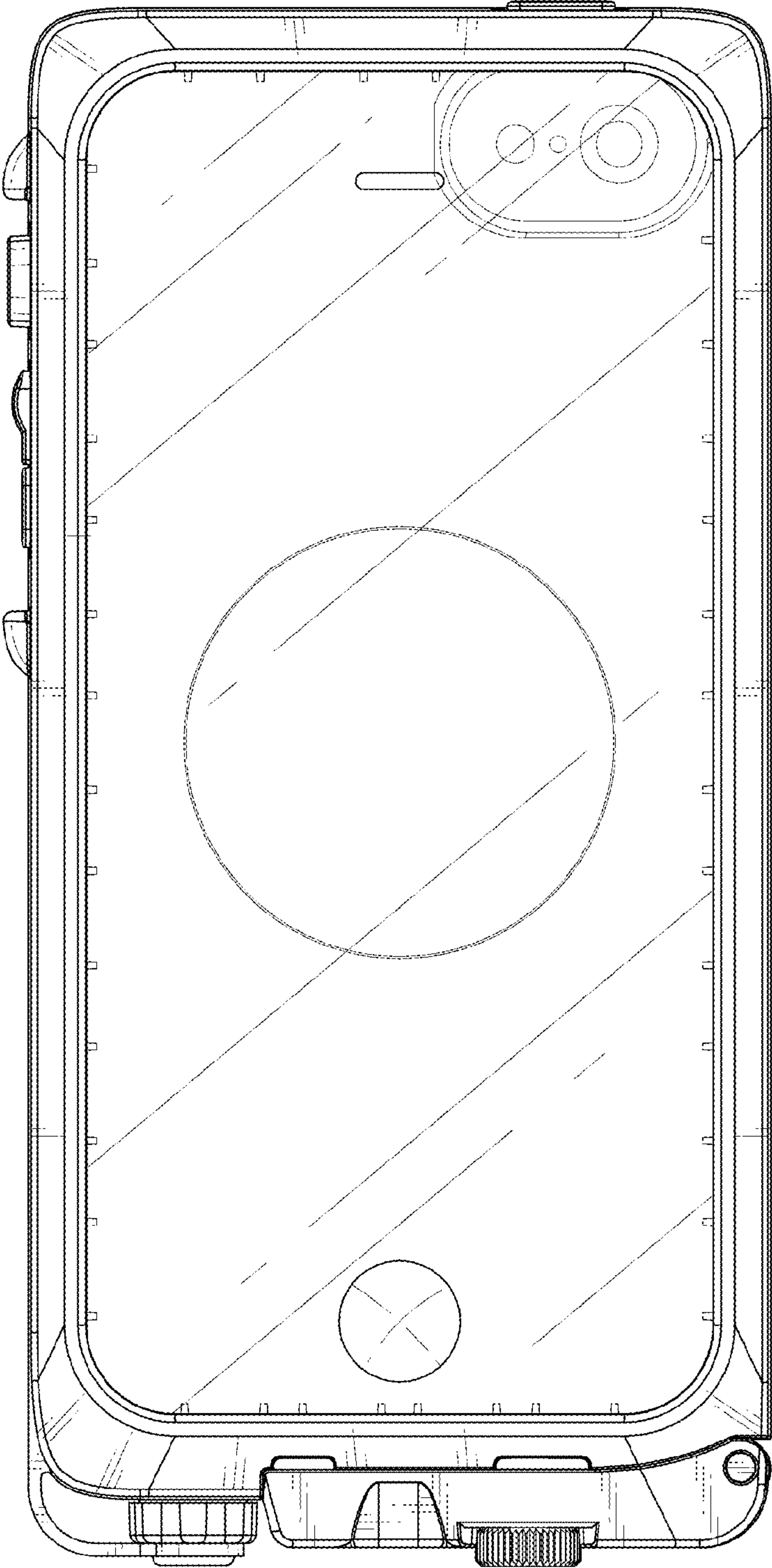


FIG.2

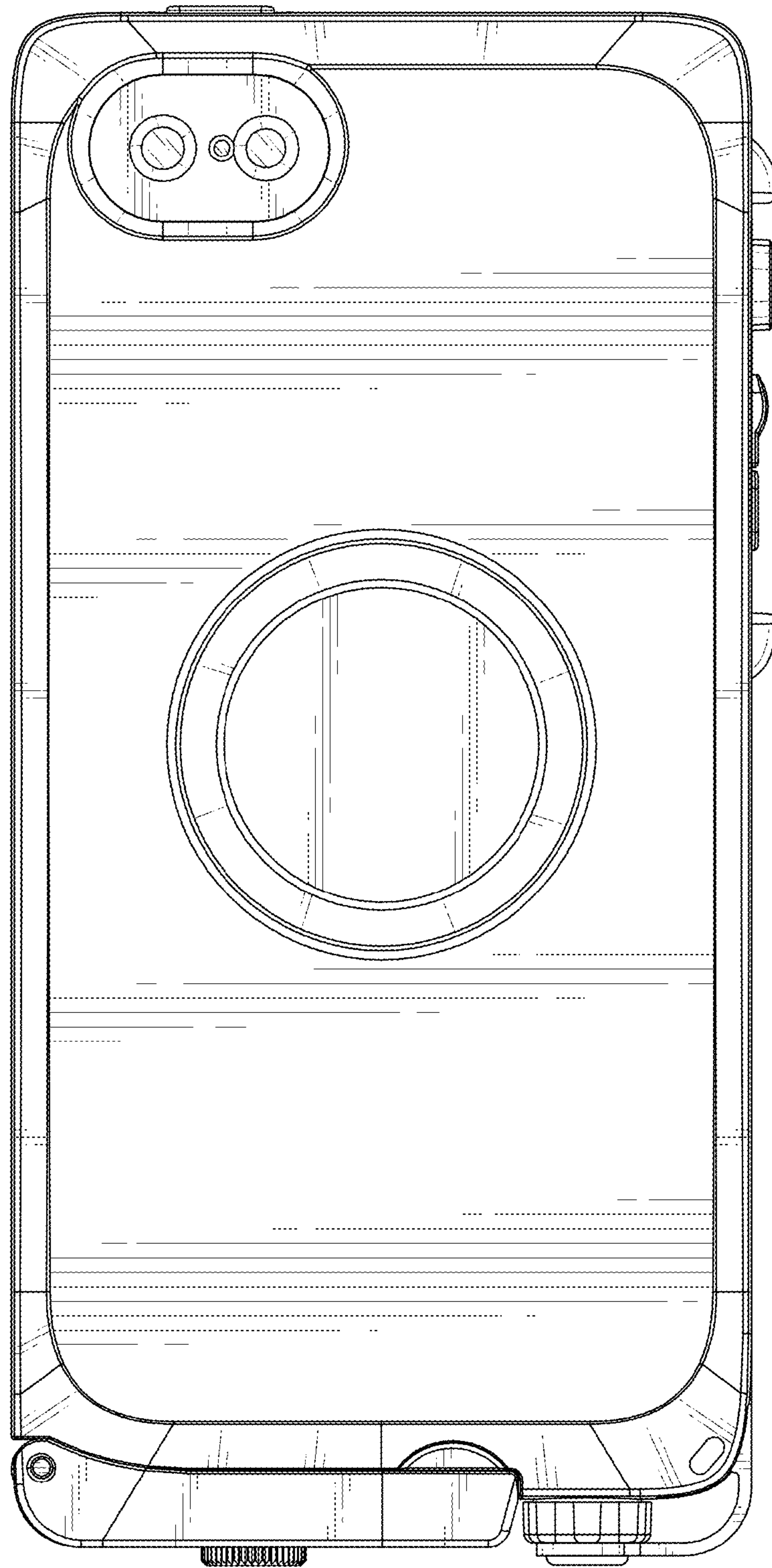


FIG.3

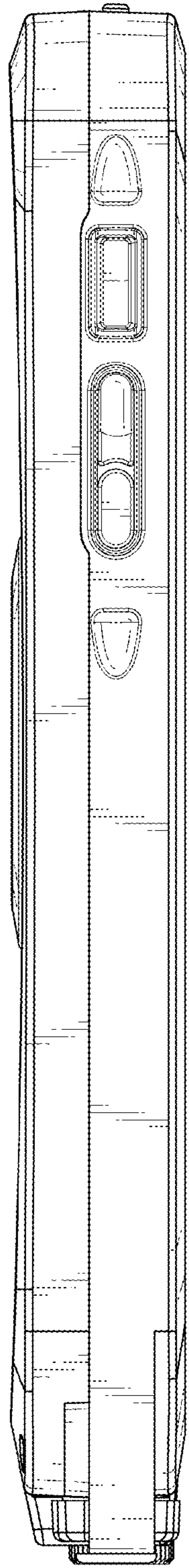


FIG. 4

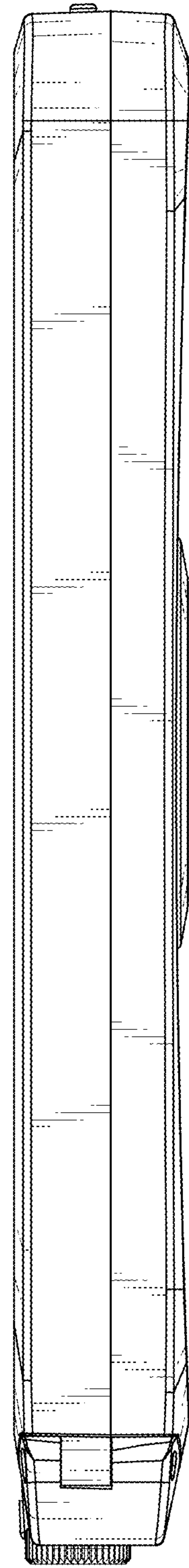


FIG. 5

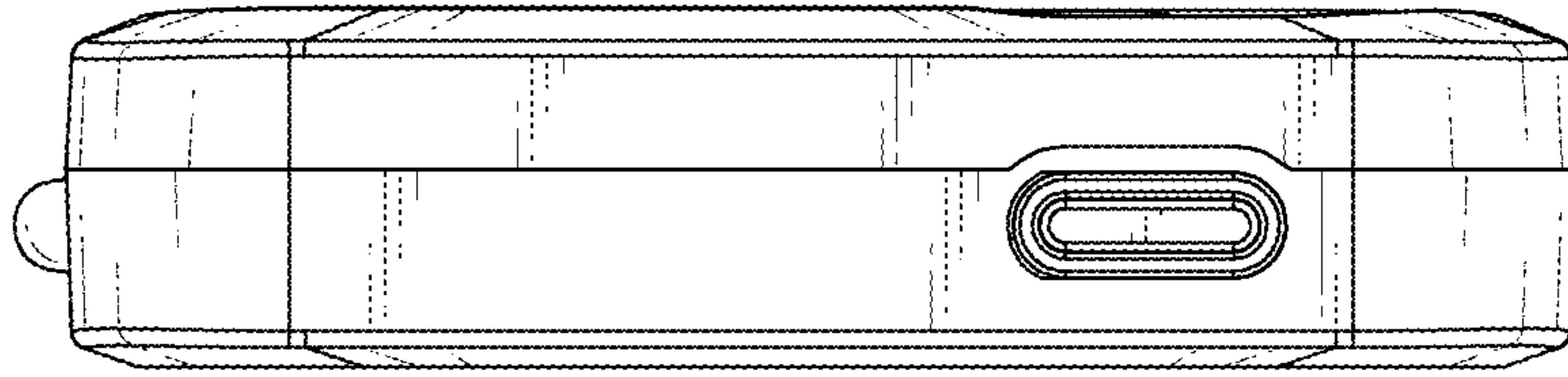


FIG. 6

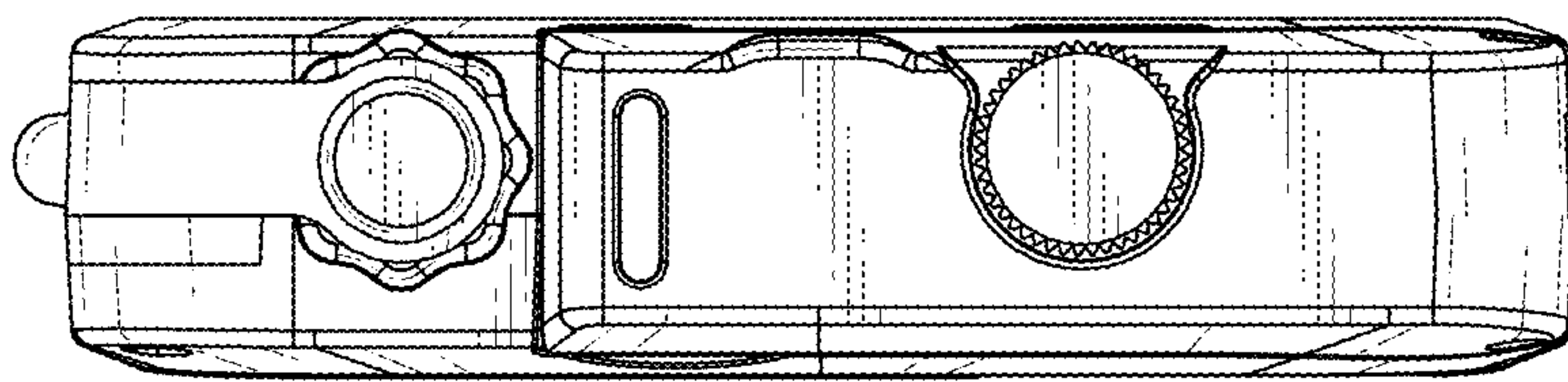


FIG. 7

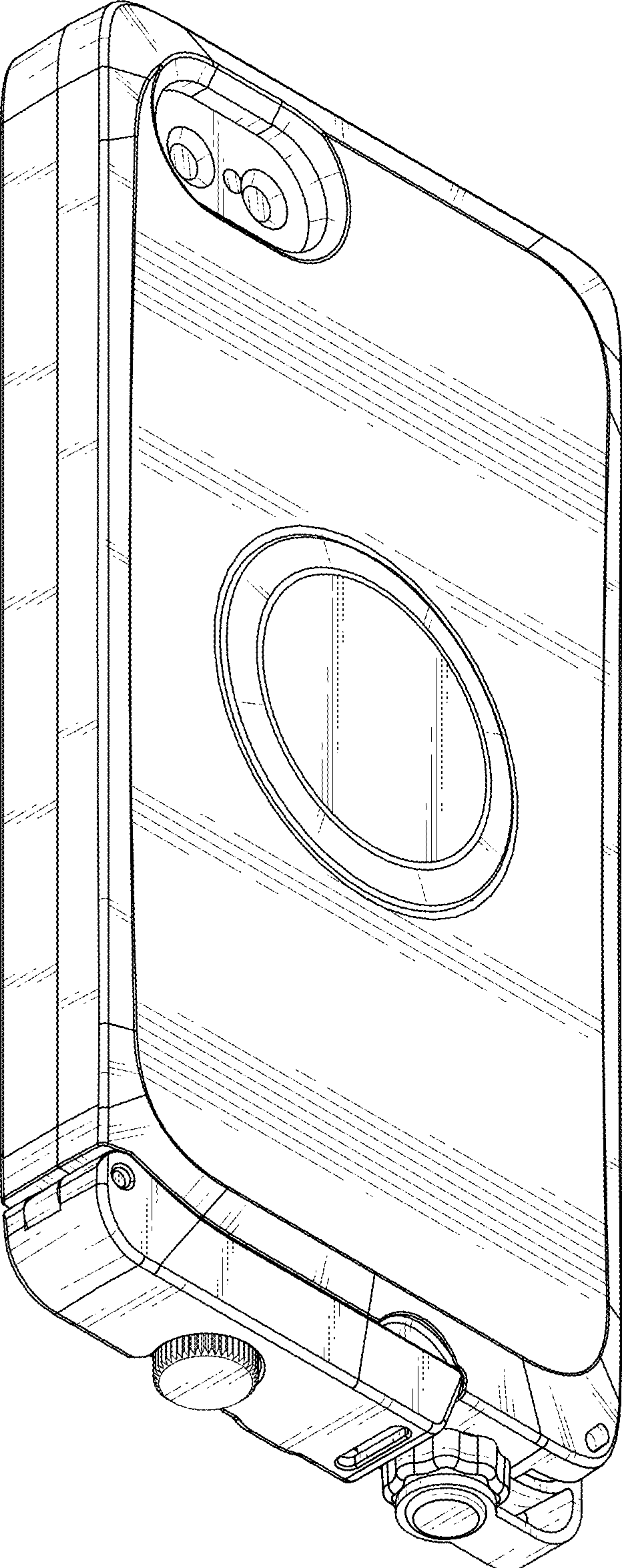


FIG.8

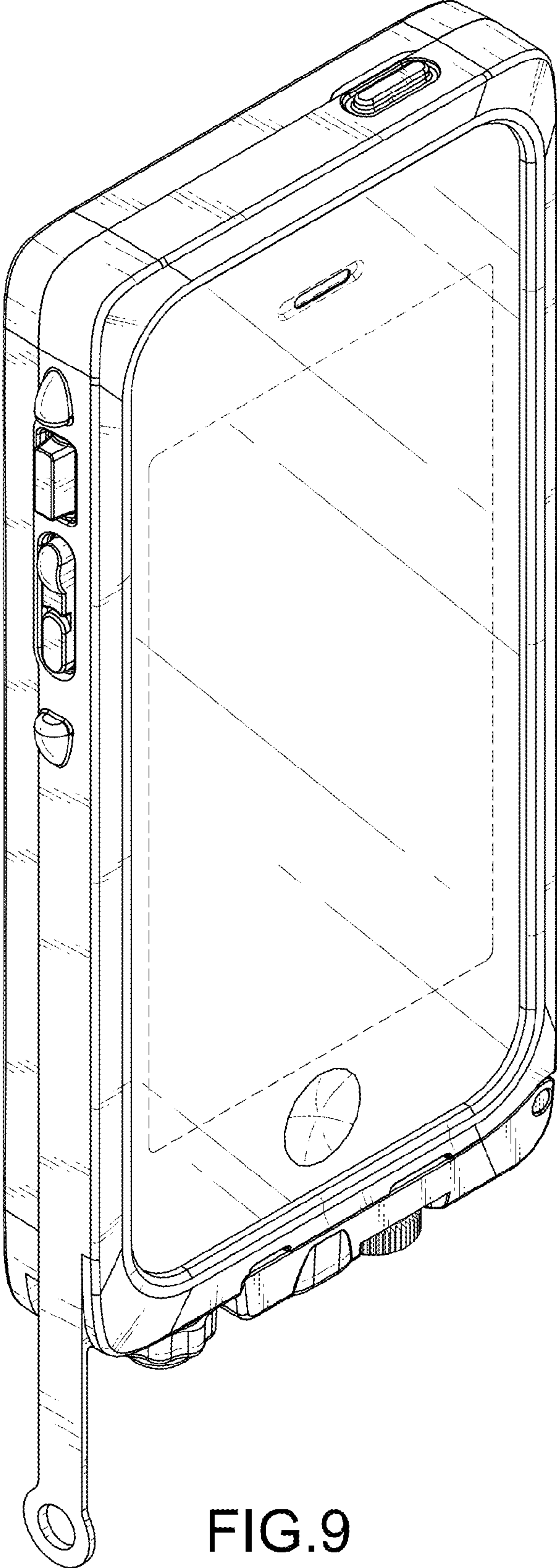


FIG.9