

US00D691121S

(12) **United States Design Patent**
Luijben et al.

(10) **Patent No.:** **US D691,121 S**
(45) **Date of Patent:** **** Oct. 8, 2013**

- (54) **FLAT MEDIUM AUDIO VISUAL WALL MOUNT**
- (75) Inventors: **Stefan Arthur Luijben**, Helmond (NL);
Daniel Watze Flach, Son en Breugel (NL)
- (73) Assignee: **Vogel's Holding B.V.** (NL)
- (**) Term: **14 Years**
- (21) Appl. No.: **29/411,829**
- (22) Filed: **Jan. 26, 2012**
- (51) **LOC (9) Cl.** **14-03**
- (52) **U.S. Cl.**
USPC **D14/239**
- (58) **Field of Classification Search**
USPC D14/125-134, 239, 371, 136, 374-377;
D8/363, 373, 349, 394; 248/465, 917-924,
248/123.11; 348/825, 827, 836, 837, 838,
348/180, 184, 325, 739; 600/443;
D6/477-479, 407, 474, 460, 461, 468; 312/7.2;
341/12; 345/87, 104, 133, 156, 168, 169,
345/173; 720/605, 669, 600, 655; 369/99,
369/197; 455/344-347; 349/1, 2, 11, 62;
108/59, 91, 92, 96; 211/40, 41.12, 42, 49.1,
211/50, 85.2, 90.04, 187, 190, 119.003, 134.153,
211/87.01, 71.01
See application file for complete search history.

- D553,125 S * 10/2007 Ly Hau et al. D14/239
- D560,671 S * 1/2008 Muday et al. D14/451
- D565,054 S * 3/2008 Anderson et al. D14/452
- D565,399 S * 4/2008 Grey D8/380
- D566,444 S * 4/2008 Grey D6/553
- D570,355 S * 6/2008 Muday et al. D14/451
- D570,852 S * 6/2008 Muday et al. D14/451
- D576,632 S * 9/2008 Stenhouse et al. D14/451

* cited by examiner

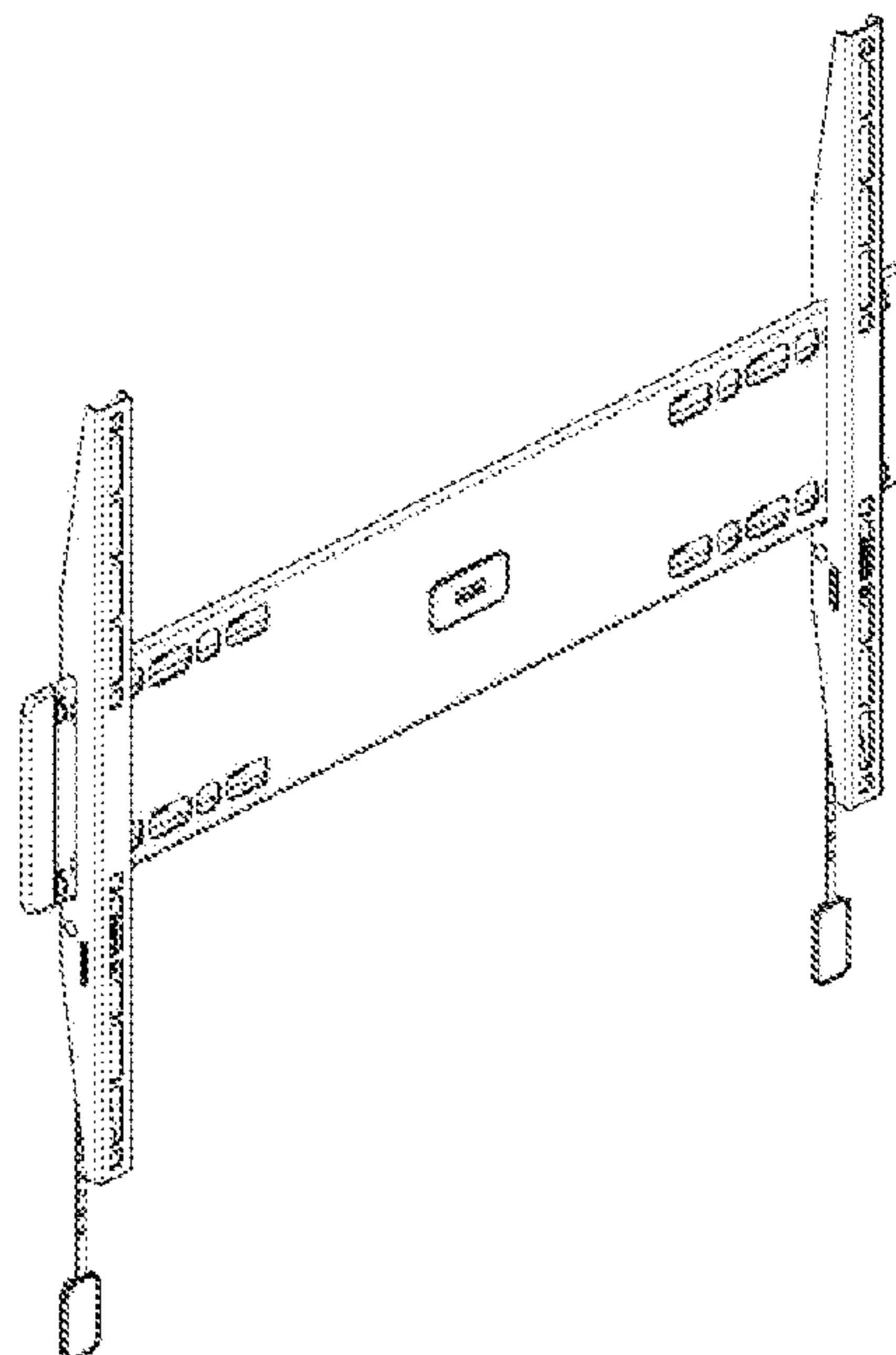
Primary Examiner — Randall Gholson
(74) *Attorney, Agent, or Firm* — Miller & Martin PLLC

(57) **CLAIM**
The ornamental design for the flat medium audio visual wall mount, as shown and described.

DESCRIPTION

FIG. 1 is a front plan view of the flat medium audio visual wall mount;
FIG. 2 is a right plan view of the flat medium audio visual wall mount shown in FIG. 1;
FIG. 3 is a back plan view of the flat medium audio visual wall mount shown in FIG. 1;
FIG. 4 is a top plan view of the flat medium audio visual wall mount shown in FIG. 1;
FIG. 5 is a bottom plan view of the flat medium audio visual wall mount shown in FIG. 1;
FIG. 6 is a top front right perspective view of the flat medium audio visual wall mount shown in FIG. 1; and,
FIG. 7 is a top front left perspective view of the flat medium audio visual wall mount shown in FIG. 1.
The broken lines in FIG. 3 depict unclaimed environmental subject matter.

1 Claim, 7 Drawing Sheets



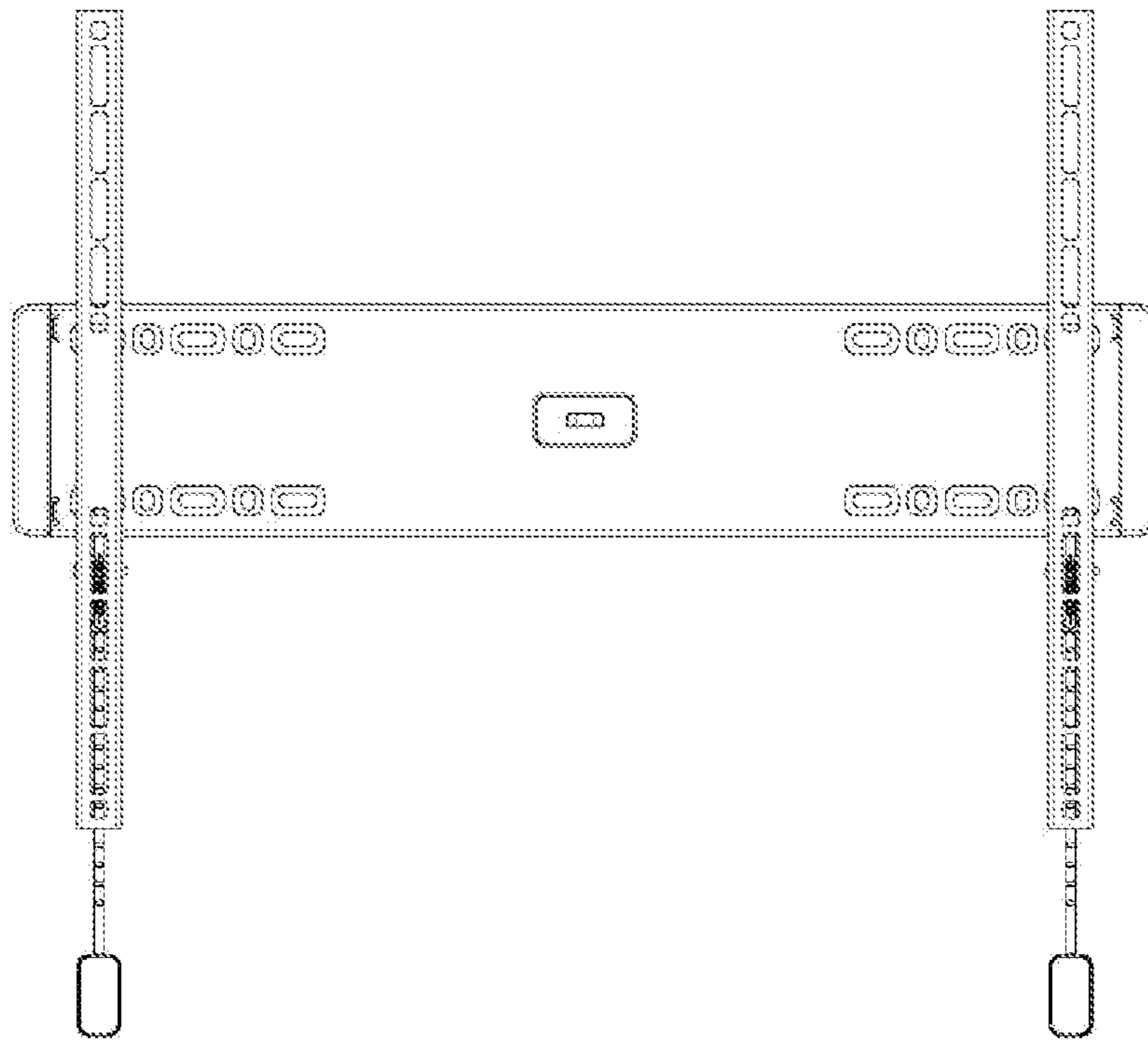


Figure 1



Figure 2

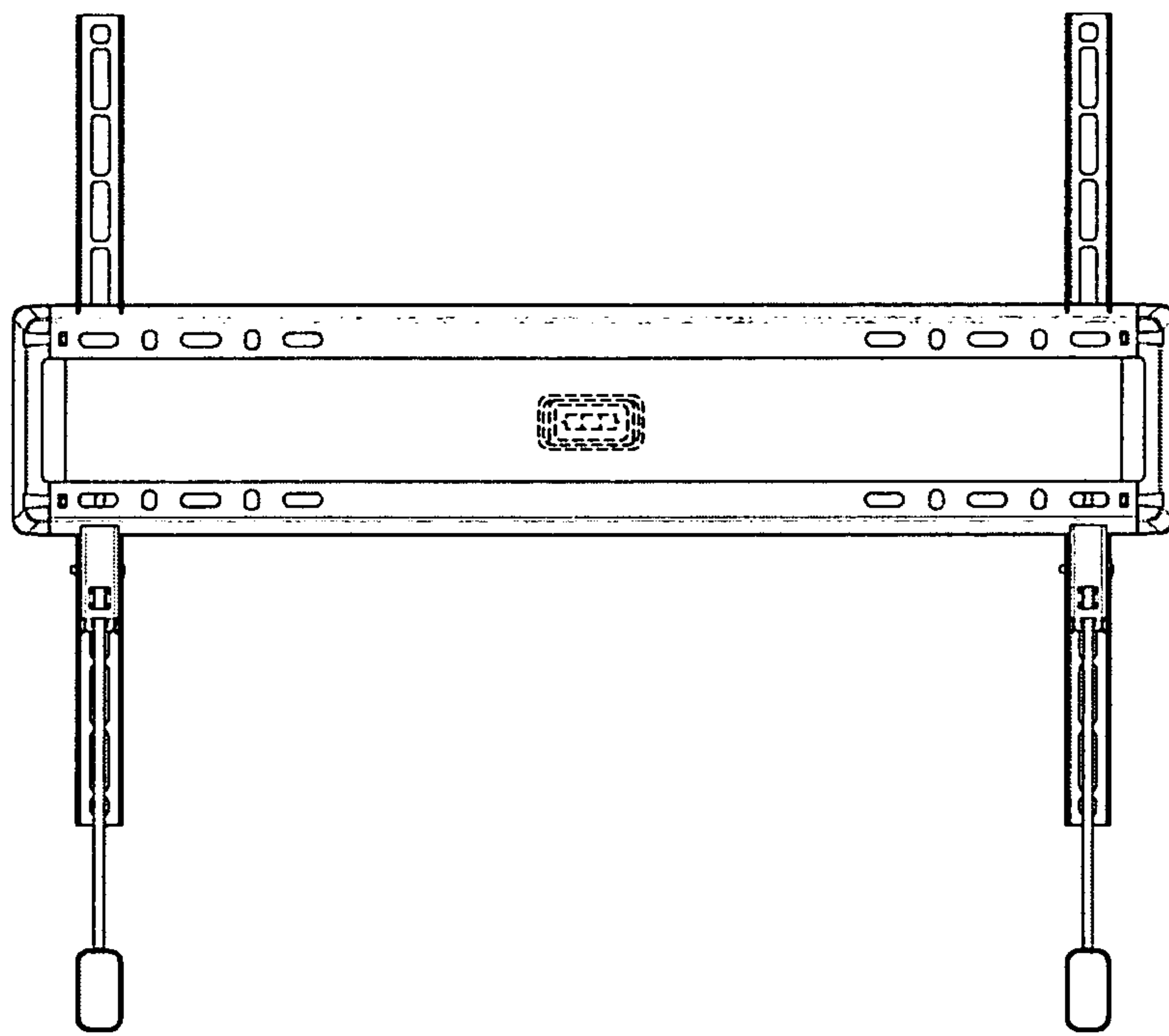


Figure 3

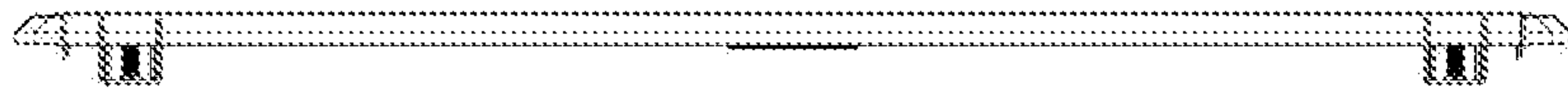


Figure 4

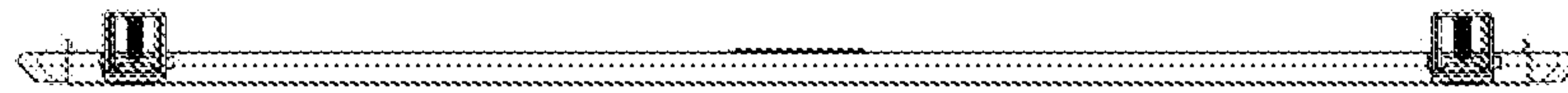


Figure 5

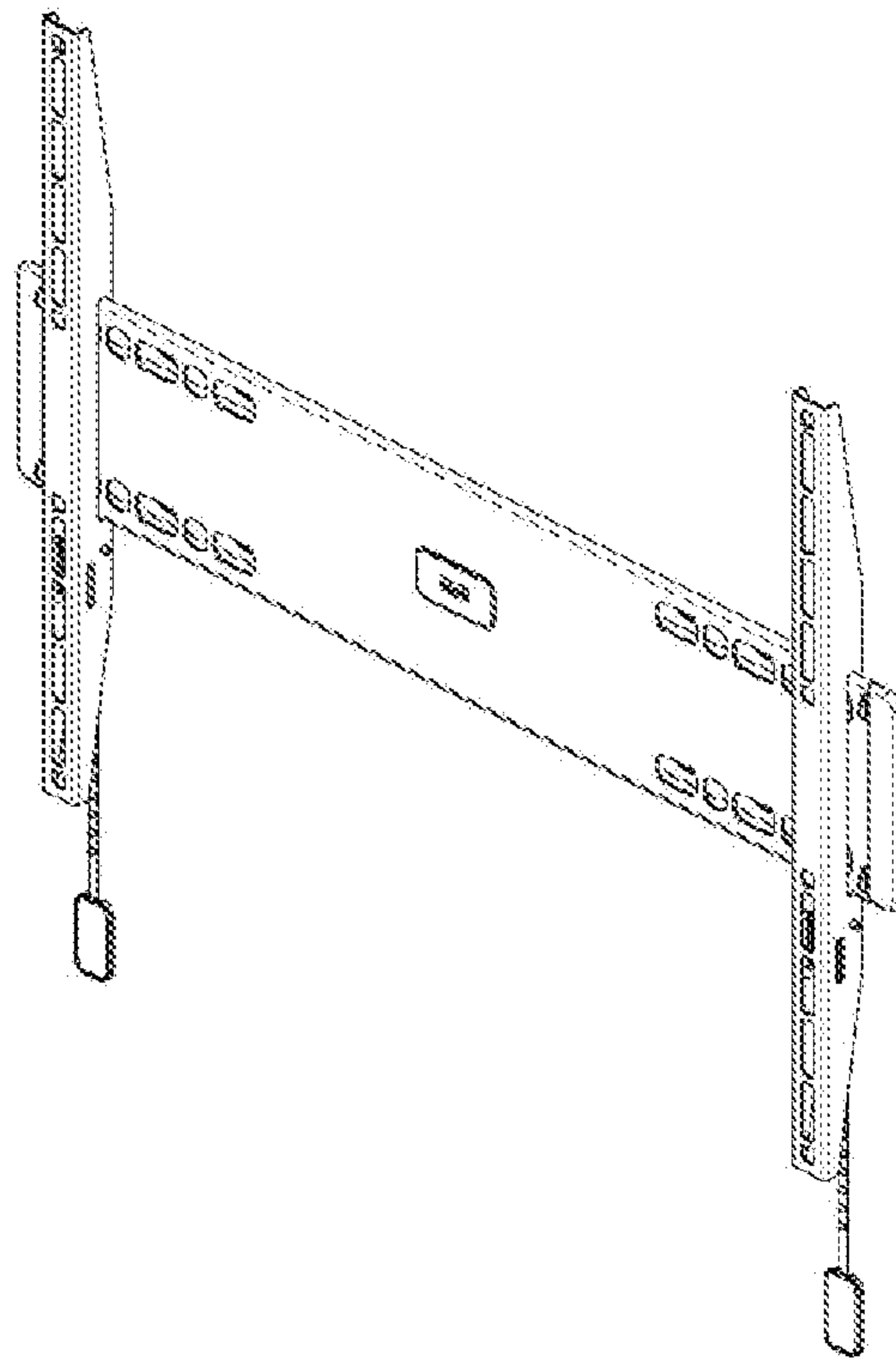


Figure 6

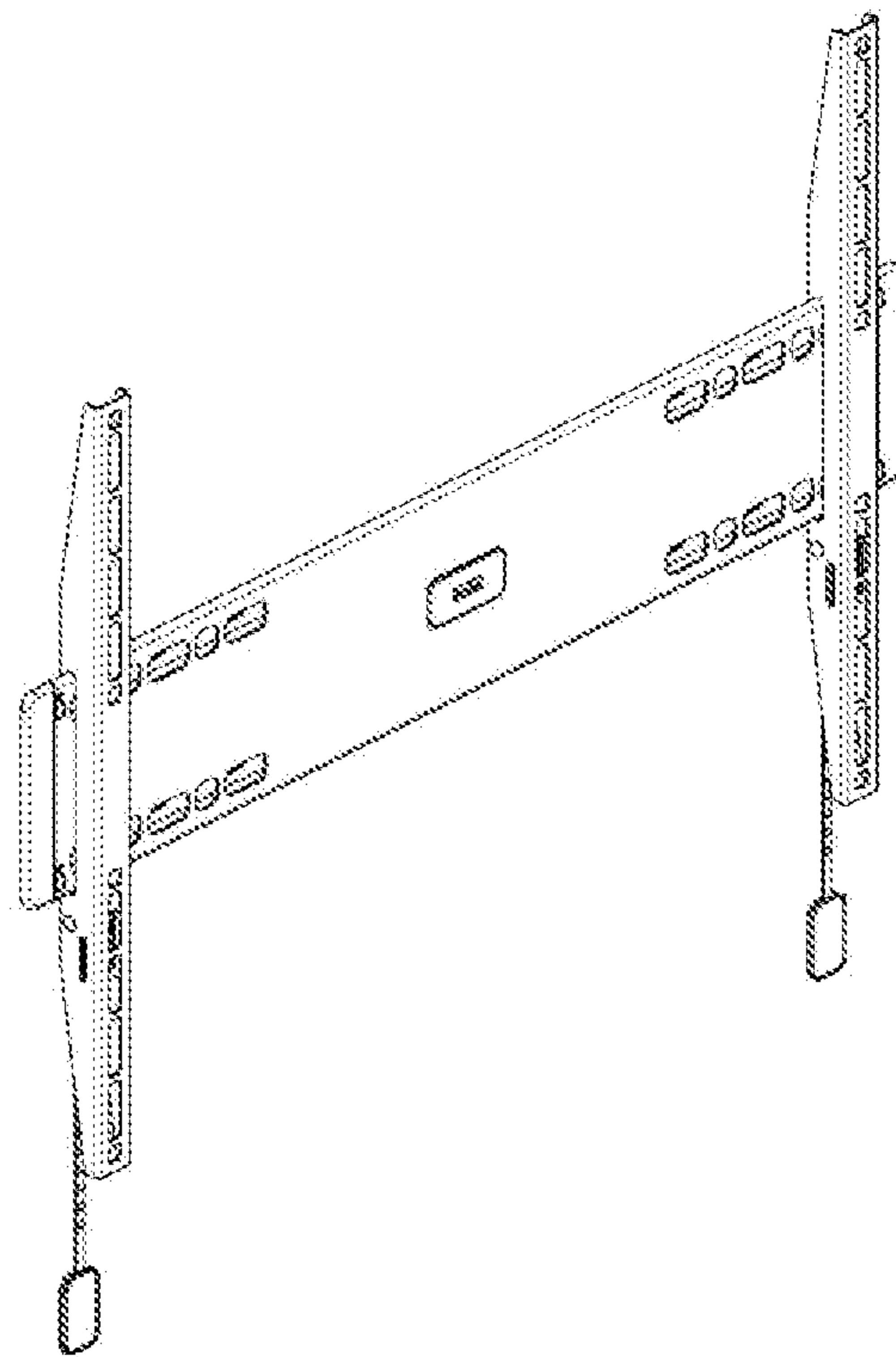


Figure 7