



US00D691120S

(12) **United States Design Patent**  
**Koch**

(10) **Patent No.:** **US D691,120 S**  
(45) **Date of Patent:** **\*\* Oct. 8, 2013**

- (54) **COMMUNICATIONS HEADSET**
- (71) Applicant: **Plantronics, Inc.**, Santa Cruz, CA (US)
- (72) Inventor: **Christophe Koch**, Santa Cruz, CA (US)
- (73) Assignee: **Plantronics, Inc.**, Santa Cruz, CA (US)
- (\*\*) Term: **14 Years**
- (21) Appl. No.: **29/443,183**
- (22) Filed: **Jan. 14, 2013**

**Related U.S. Application Data**

- (62) Division of application No. 29/413,506, filed on Feb. 16, 2012, now Pat. No. Des. 680,101.
- (51) **LOC (9) Cl.** ..... **14-01**
- (52) **U.S. Cl.**  
USPC ..... **D14/223**
- (58) **Field of Classification Search**  
USPC ..... D14/223, 205, 206, 217, 218, 240,  
D14/496; 181/129, 130, 135; 379/430, 431;  
381/380, 381; 455/90.3, 575.1; 370/430.431,  
370/430, 431; D3/205, 207, 212; D10/60;  
D26/52; D9/432; 206/38.1, 305, 306, 381;  
D27/194; D13/168

See application file for complete search history.

(56) **References Cited**

**U.S. PATENT DOCUMENTS**

- 3,323,638 A \* 6/1967 Dishart ..... 132/75
- D358,394 S 5/1995 Dyas
- 5,548,643 A \* 8/1996 Dalglish et al.
- D533,613 S \* 12/2006 Byrne et al. .... D21/759
- D538,271 S \* 3/2007 Kim et al. .... D14/223
- D539,787 S \* 4/2007 Kim et al. .... D14/223
- D549,237 S \* 8/2007 Andre et al. .... D14/496
- D566,706 S \* 4/2008 Andre et al. .... D14/341
- D568,301 S \* 5/2008 Kim et al. .... D14/223

- D573,983 S \* 7/2008 Bang et al. .... D14/223
- D575,276 S \* 8/2008 Bradford et al. .... D14/223
- D580,456 S \* 11/2008 Oh et al. .... D14/496
- D582,397 S \* 12/2008 Christopher ..... D14/223
- D582,398 S 12/2008 Nam et al.
- D582,897 S \* 12/2008 Christopher et al. .... D14/223
- D584,294 S 1/2009 Nam et al.
- D585,077 S \* 1/2009 Sheba et al. .... D14/496
- D590,377 S \* 4/2009 Bradford ..... D14/223
- D590,813 S \* 4/2009 Bradford et al. .... D14/223
- D592,677 S \* 5/2009 Sheba et al. .... D14/496
- D603,378 S \* 11/2009 Paradise ..... D14/223
- 7,616,760 B2 \* 11/2009 Trip et al. .... 379/430
- D609,695 S \* 2/2010 Cigliano et al. .... D14/205
- D616,873 S \* 6/2010 Olivier ..... D14/223
- D620,927 S \* 8/2010 Li ..... D14/223
- D626,946 S \* 11/2010 Lee et al. .... D14/223
- D628,194 S 11/2010 Koch
- D629,396 S \* 12/2010 Andre et al. .... D14/223
- D630,620 S 1/2011 Lee et al.
- D633,481 S \* 3/2011 Chen ..... D14/223

(Continued)

*Primary Examiner* — Paula Greene

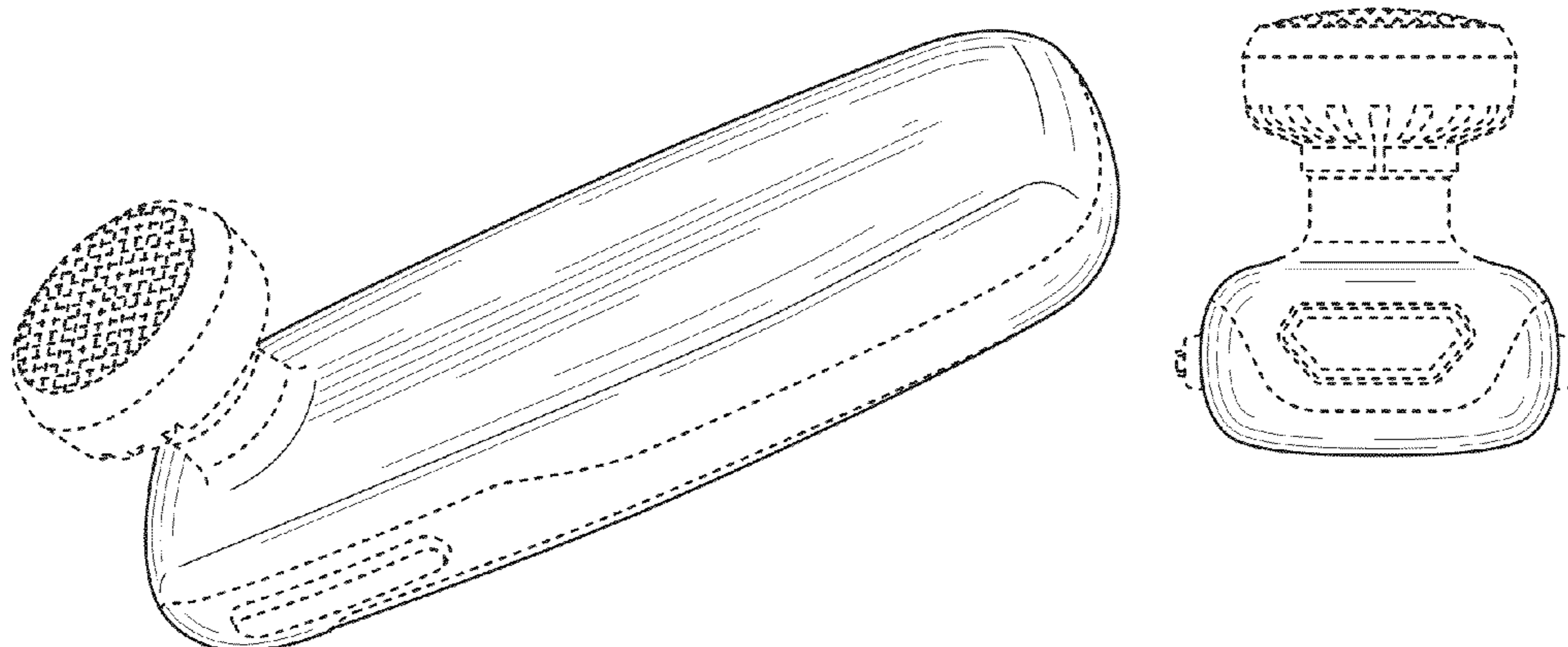
(57) **CLAIM**

The ornamental design for a communications headset, as shown and described.

**DESCRIPTION**

FIG. 1 is perspective view of communications headset showing my new design;  
 FIG. 2 is a front-bottom-left perspective view thereof;  
 FIG. 3 is a front side view thereof;  
 FIG. 4 is a back side view thereof;  
 FIG. 5 is a top view thereof;  
 FIG. 6 is a bottom view thereof;  
 FIG. 7 is a left side view thereof; and,  
 FIG. 8 is a right side view thereof.  
 The broken lines show unclaimed features that form no part of the claimed design.

**1 Claim, 3 Drawing Sheets**



(56)

**References Cited**

U.S. PATENT DOCUMENTS

D634,300 S 3/2011 Yang et al.  
D635,125 S \* 3/2011 Nousiainen ..... D14/223  
D637,184 S \* 5/2011 March ..... D14/223  
D640,242 S \* 6/2011 Fahrendorff et al. .... D14/223  
D641,739 S \* 7/2011 Huang ..... D14/223  
D642,161 S \* 7/2011 Akana et al. .... D14/218  
D643,420 S \* 8/2011 Huang ..... D14/223  
D648,710 S \* 11/2011 Ha et al. .... D14/223

D649,957 S \* 12/2011 Fahrendorff et al. .... D14/223  
D656,490 S \* 3/2012 Birger ..... D14/223  
D657,781 S \* 4/2012 Yang ..... D14/223  
D664,125 S 7/2012 Koch et al.  
D664,950 S \* 8/2012 Rye et al. .... D14/223  
D665,384 S 8/2012 Birger  
8,270,915 B2 \* 9/2012 Sanford et al. .... 455/90.3  
D671,096 S \* 11/2012 Song et al. .... D14/223  
D675,600 S \* 2/2013 Koch ..... D14/223  
D680,101 S \* 4/2013 Koch ..... D14/223

\* cited by examiner

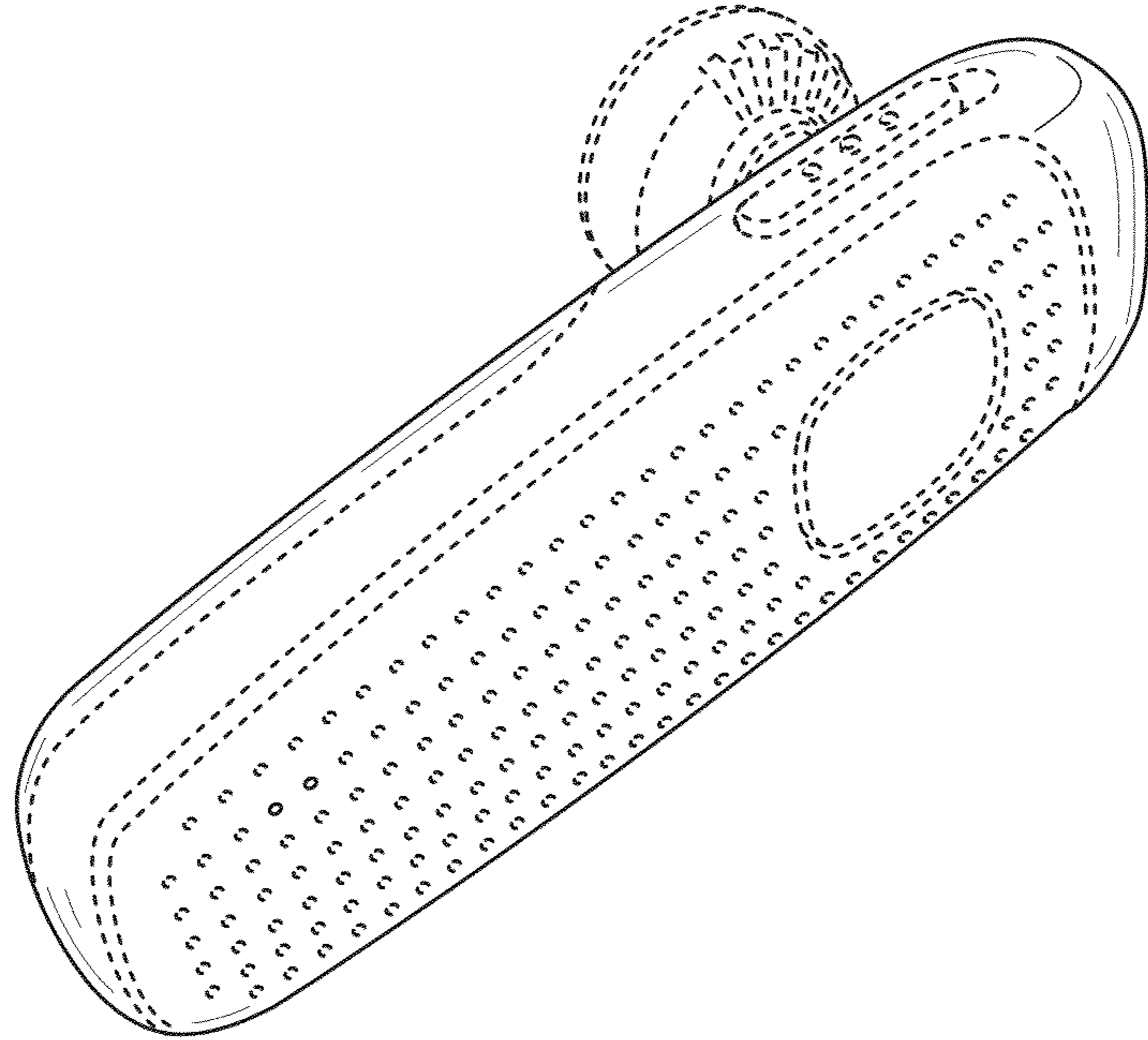


FIG. 1

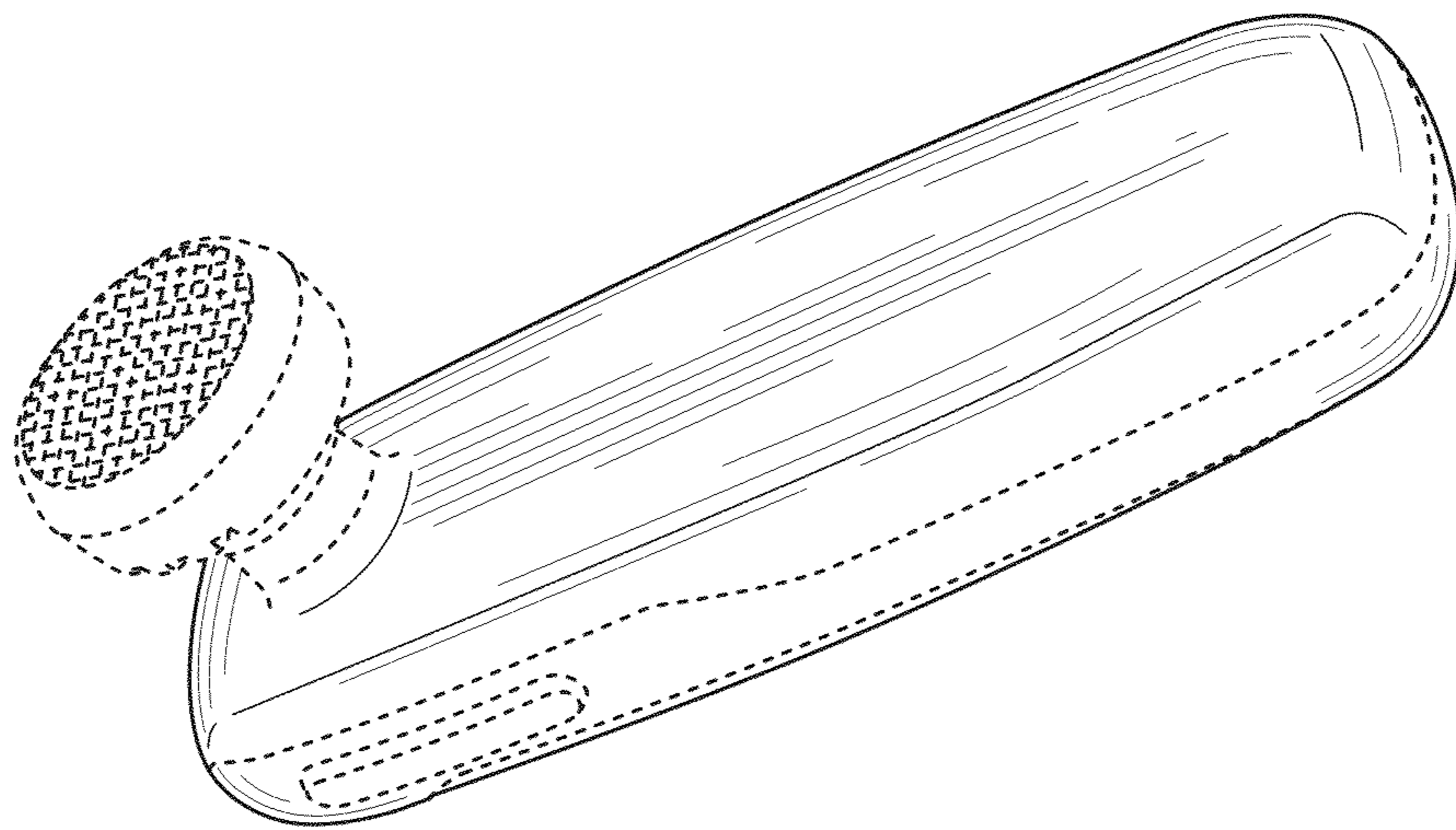
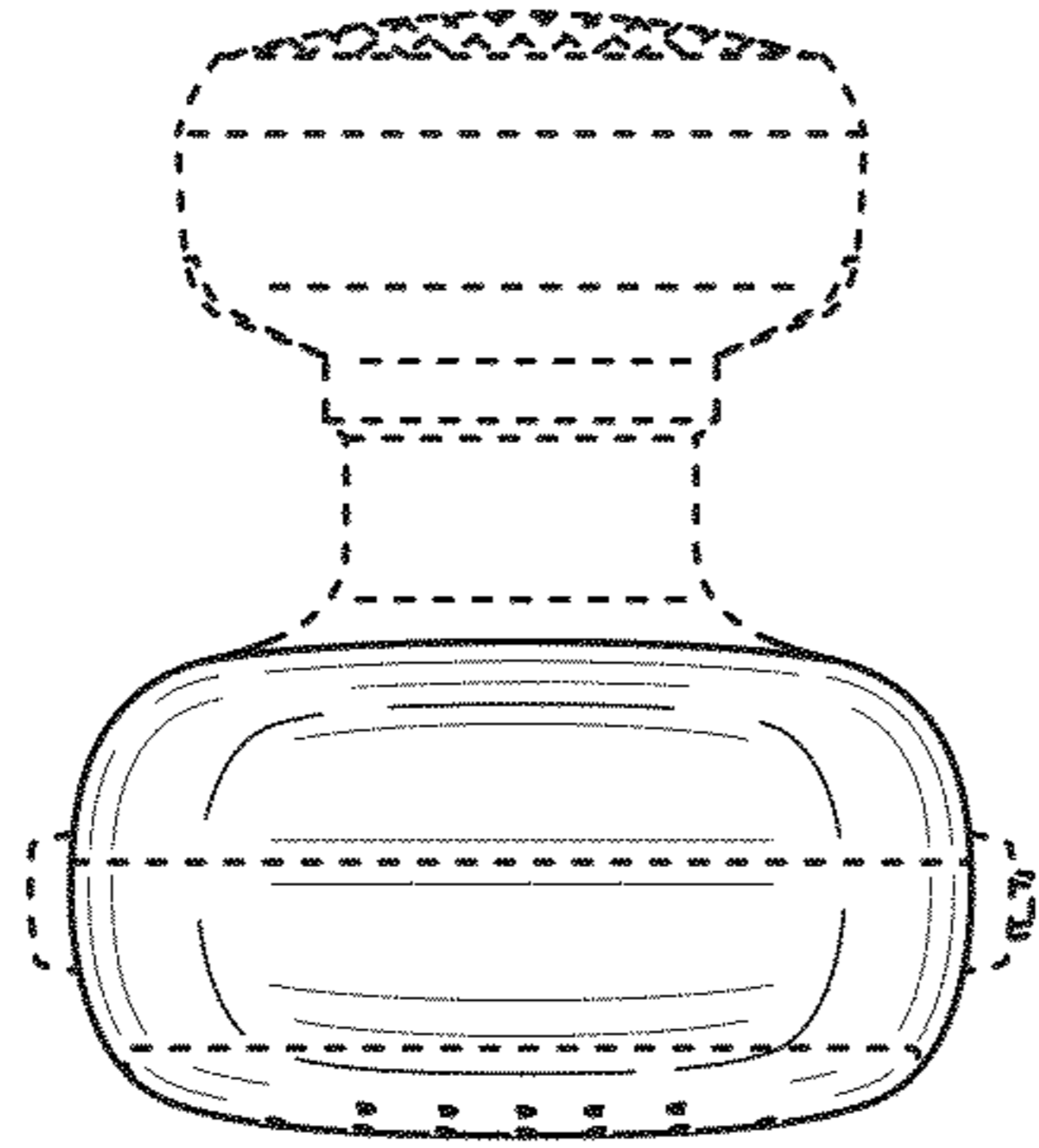
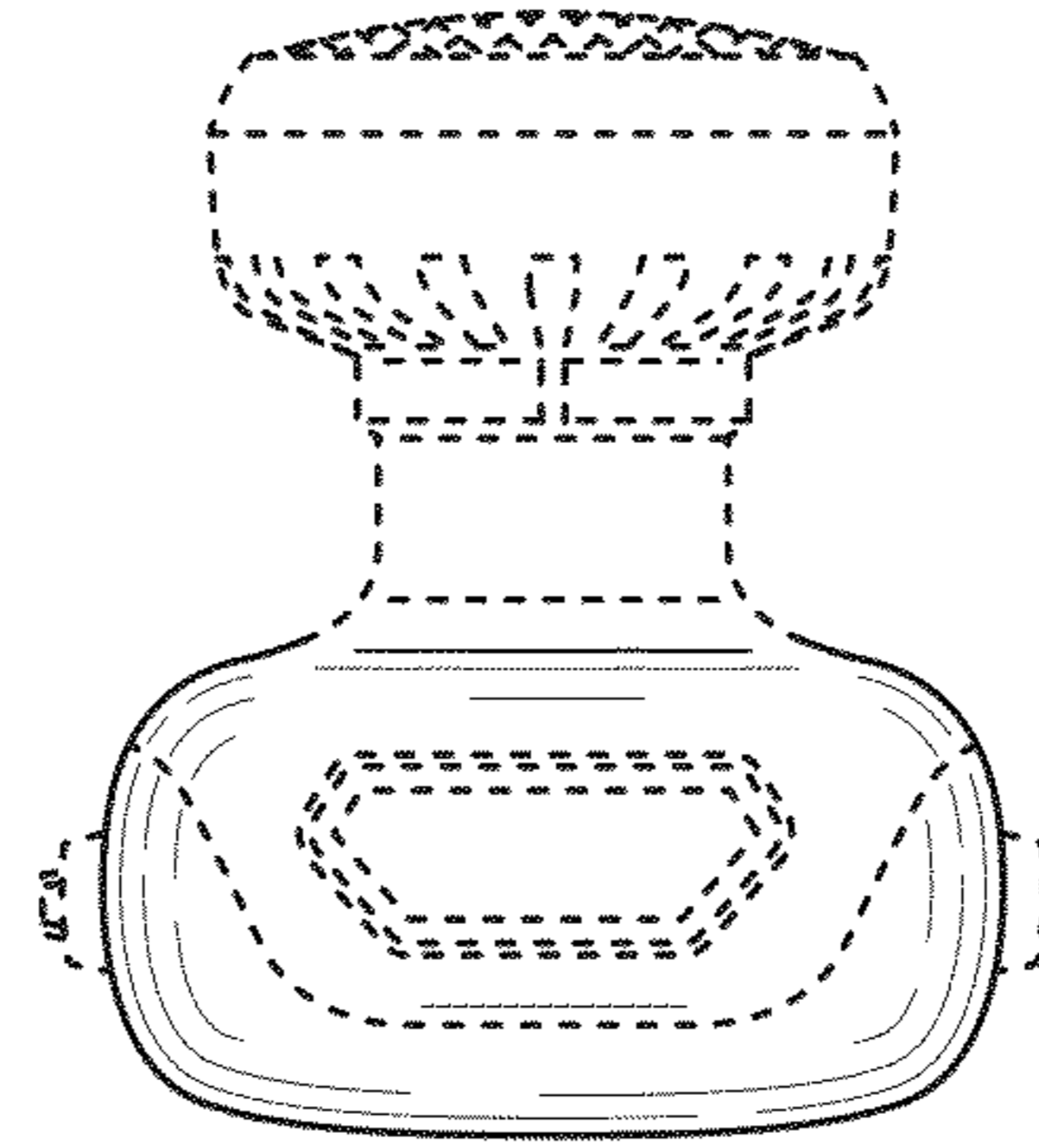


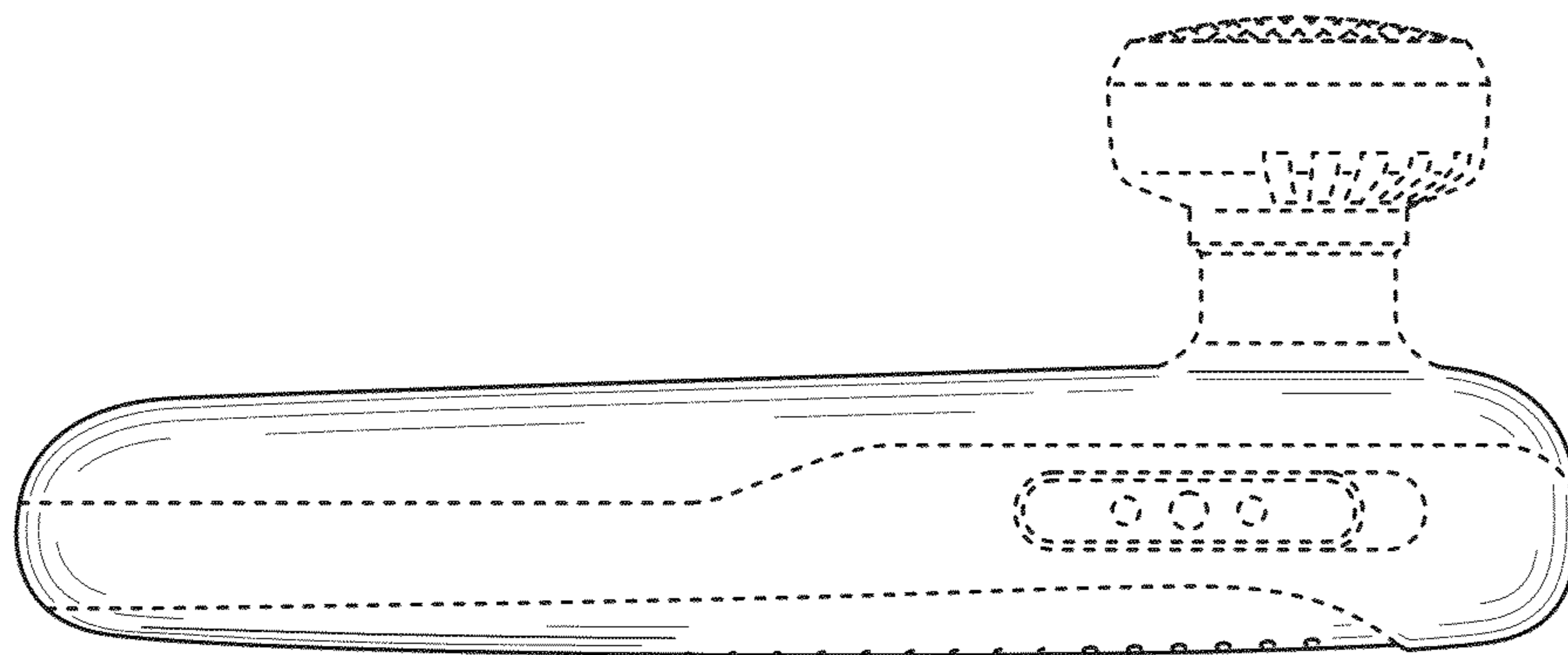
FIG. 2



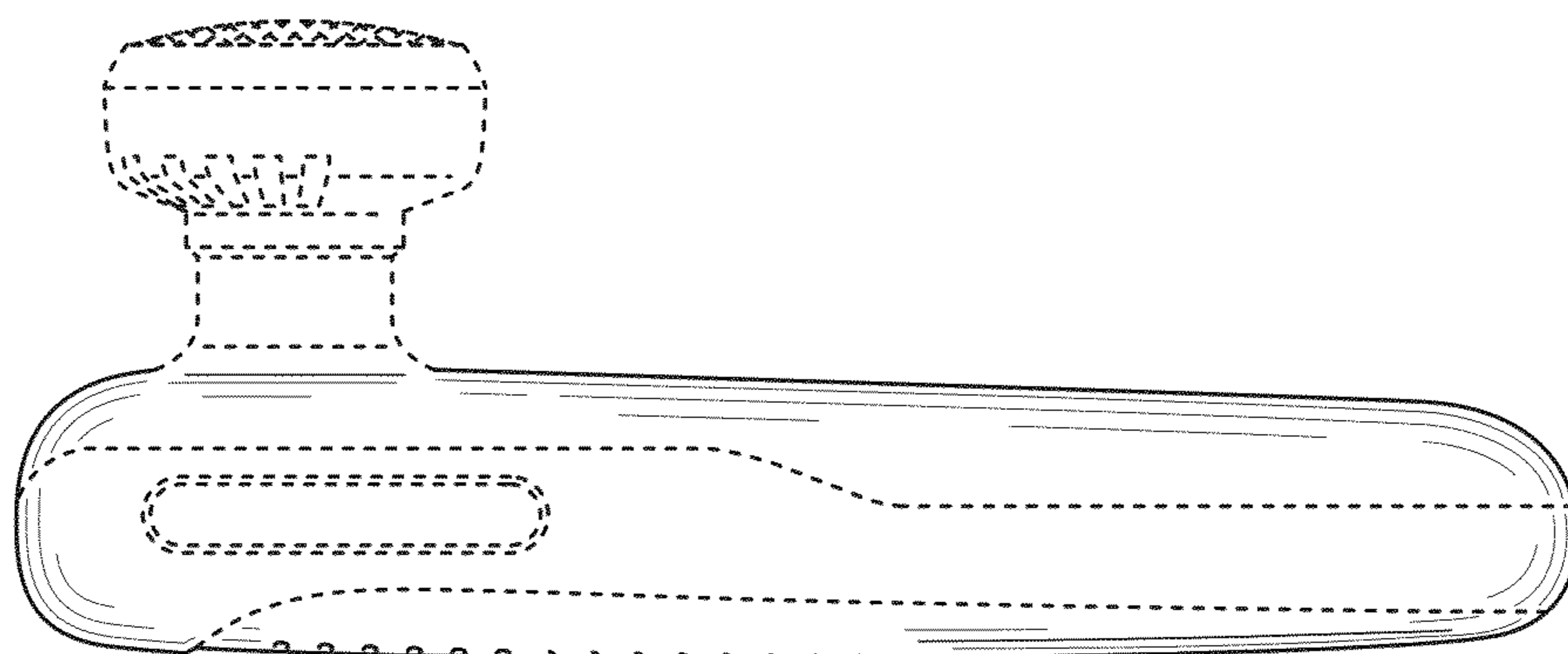
**FIG. 3**



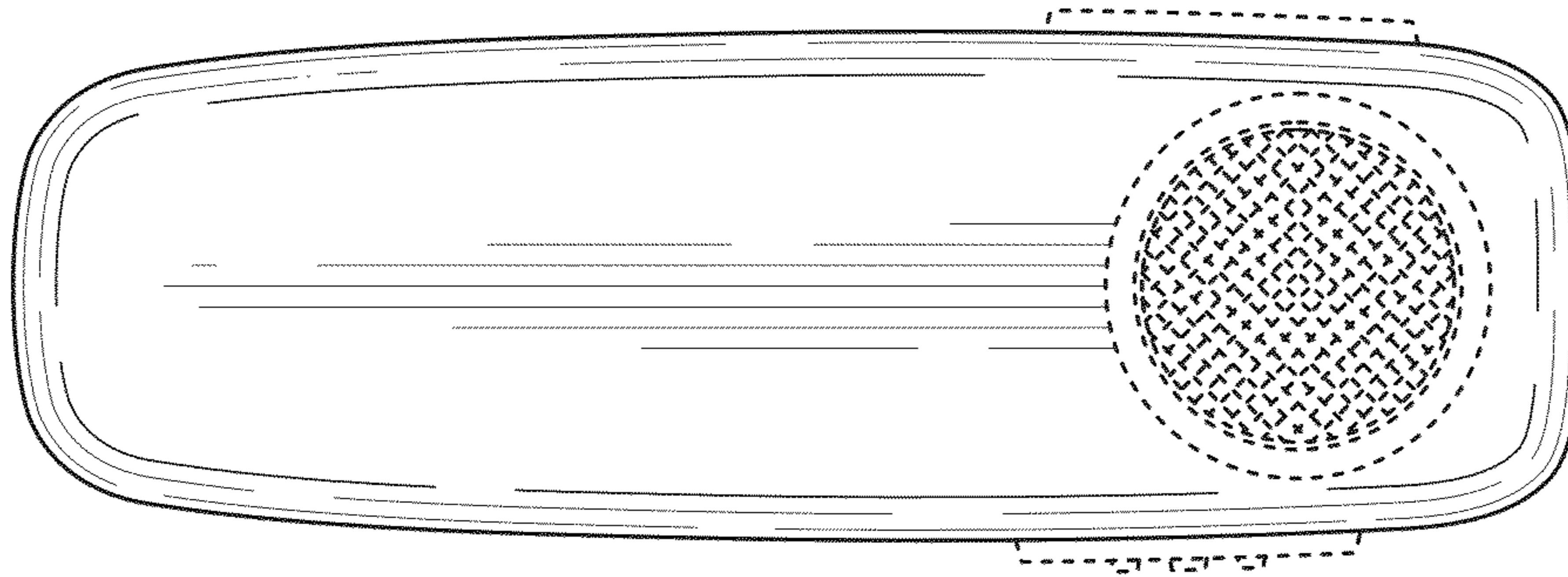
**FIG. 4**



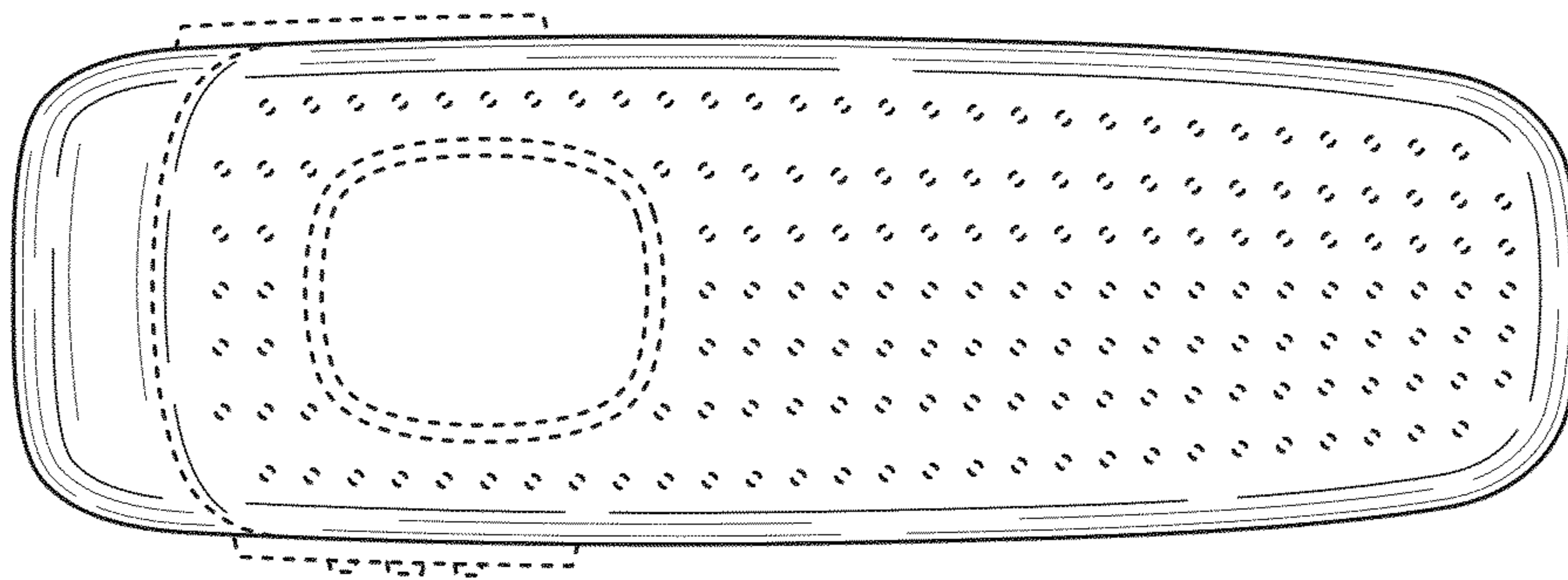
**FIG. 5**



**FIG. 6**



**FIG. 7**



**FIG. 8**