



US00D691119S

(12) **United States Design Patent**  
**Manhard et al.**

(10) **Patent No.:** **US D691,119 S**

(45) **Date of Patent:** **\*\* Oct. 8, 2013**

(54) **EARPIECE**

(75) Inventors: **John L. Manhard**, Durham, NC (US);  
**Matthew J. Morton**, Holly Springs, NC (US)

(73) Assignee: **Scion NeuroStim, LLC**, Raleigh, NC (US)

(\*\*) Term: **14 Years**

(21) Appl. No.: **29/424,947**

(22) Filed: **Jun. 18, 2012**

(51) **LOC (9) Cl.** ..... **14-01**

(52) **U.S. Cl.**  
USPC ..... **D14/223**

(58) **Field of Classification Search**  
USPC ..... D14/205, 223; 181/129, 130, 135;  
379/430, 431; 381/380, 381, 323, 322, 328;  
D24/106, 174; 128/864, 865; 455/90.3,  
455/575.1; 607/113

See application file for complete search history.

(56) **References Cited**

U.S. PATENT DOCUMENTS

2,148,477	A *	2/1939	Koch	381/151
2,549,629	A *	4/1951	Nelson	381/338
2,950,357	A *	8/1960	Mitchell et al.	381/323
D266,271	S *	9/1982	Johanson et al.	D24/174
D266,590	S *	10/1982	Bennett	D24/174
4,375,016	A *	2/1983	Harada	181/135
4,471,490	A *	9/1984	Bellafore	381/324
4,532,649	A *	7/1985	Bellafore	381/324
4,634,815	A *	1/1987	Marquis	381/328
4,652,414	A *	3/1987	Schlaegel	264/154
4,680,799	A *	7/1987	Henneberger	381/324
4,870,688	A *	9/1989	Voroba et al.	381/60
4,871,502	A *	10/1989	LeBisch et al.	264/222
5,033,090	A *	7/1991	Weinrich	381/318
D388,093	S *	12/1997	Fregley	D14/223
D399,001	S *	9/1998	Yabe et al.	D24/174
5,889,874	A *	3/1999	Schmitt et al.	381/328
D478,991	S *	8/2003	Dyer et al.	D24/174

6,690,807	B1 *	2/2004	Meyer	381/327
7,394,909	B1 *	7/2008	Widmer et al.	381/322
7,443,992	B2 *	10/2008	Fideler	381/328
D618,219	S *	6/2010	Burgett et al.	D14/223
7,965,855	B1 *	6/2011	Ham	381/380

(Continued)

*Primary Examiner* — Paula Greene

(74) *Attorney, Agent, or Firm* — Myers Bigel Sibley & Sajovec, PA

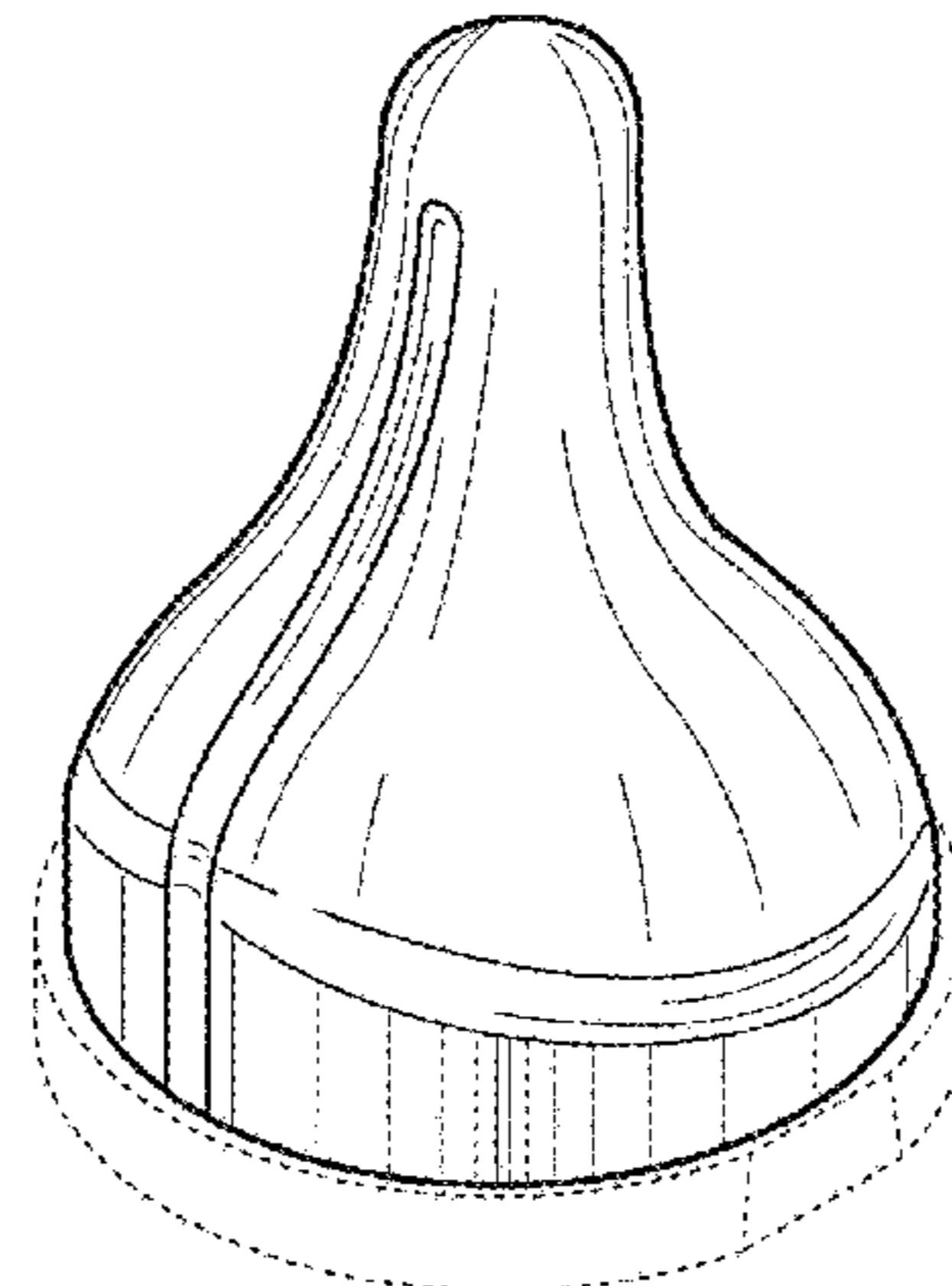
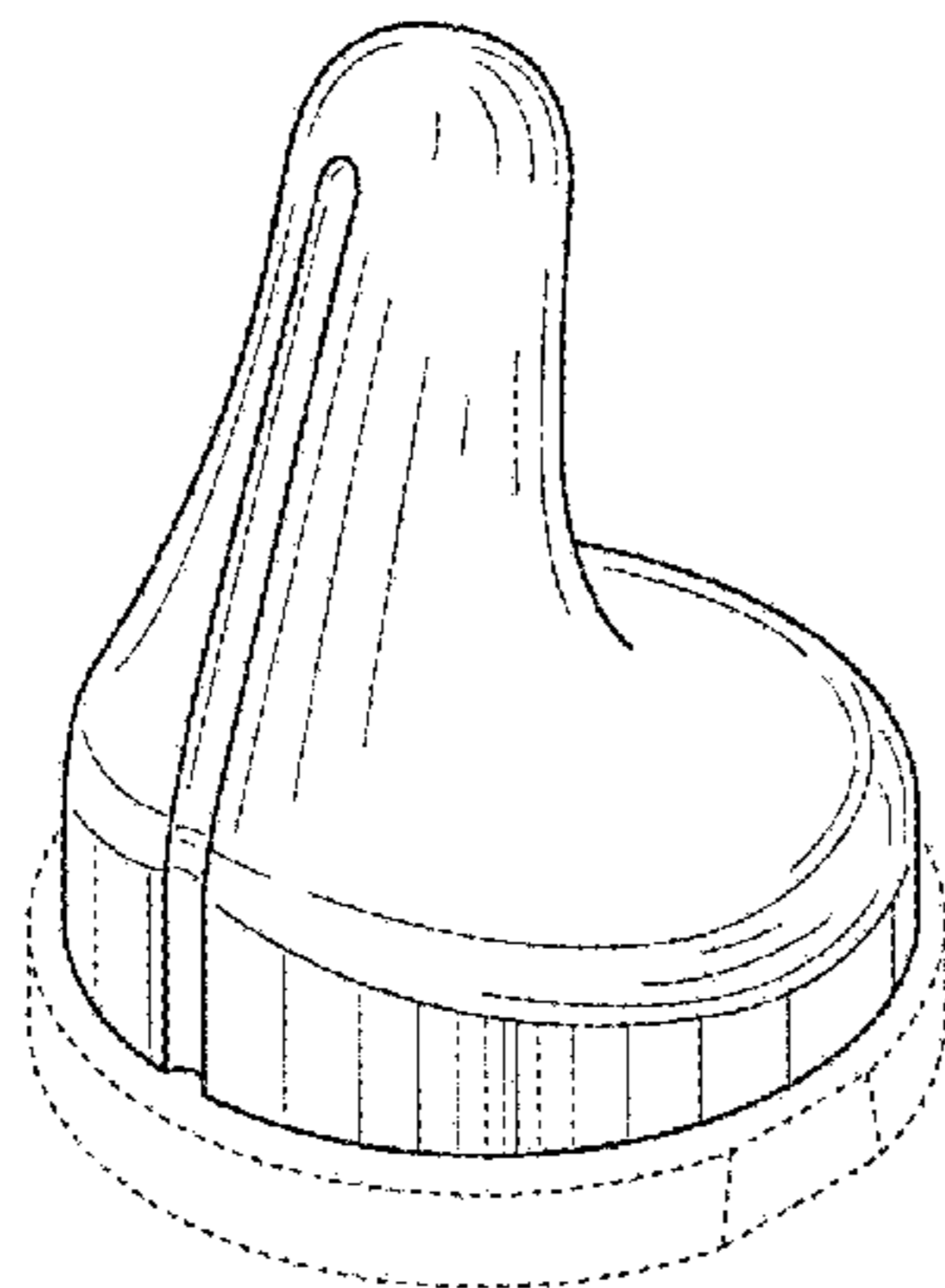
(57) **CLAIM**

The ornamental design for an earpiece, as shown and described.

**DESCRIPTION**

FIG. 1 is a front left perspective view of a first embodiment of an earpiece showing our design; FIG. 2 is a left side view thereof; FIG. 3 is a front view thereof; FIG. 4 is a right side view thereof; FIG. 5 is a rear view thereof; FIG. 6 is a top view thereof; FIG. 7 is a bottom view thereof; FIG. 8 is a back right perspective view thereof; FIG. 9 is an environmental view of the first embodiment of an earpiece showing our design; FIG. 10 is a front left perspective view of a second embodiment of an earpiece showing our new design; FIG. 11 left side view thereof; FIG. 12 is a front view thereof; FIG. 13 is a right side view thereof; FIG. 14 is a rear view thereof; FIG. 15 is a top view thereof; FIG. 16 is a bottom view thereof; FIG. 17 is a back right perspective view thereof; and, FIG. 18 is an environmental view of the second embodiment of an earpiece showing our new design. The broken lines shown herein are for illustrative purposes only and form no part of the claimed design.

**1 Claim, 6 Drawing Sheets**



# US D691,119 S

Page 2

---

(56)

## References Cited

			8,213,651 B2 *	7/2012	Schmidt et al. ....	381/314
			2011/0313498 A1	12/2011	Rogers et al.	
			2011/0313499 A1	12/2011	Smith et al.	
	U.S. PATENT DOCUMENTS					
D643,415 S *	8/2011	Vasquez .....	D14/223			
D645,455 S	9/2011	Manhard et al.				

\* cited by examiner

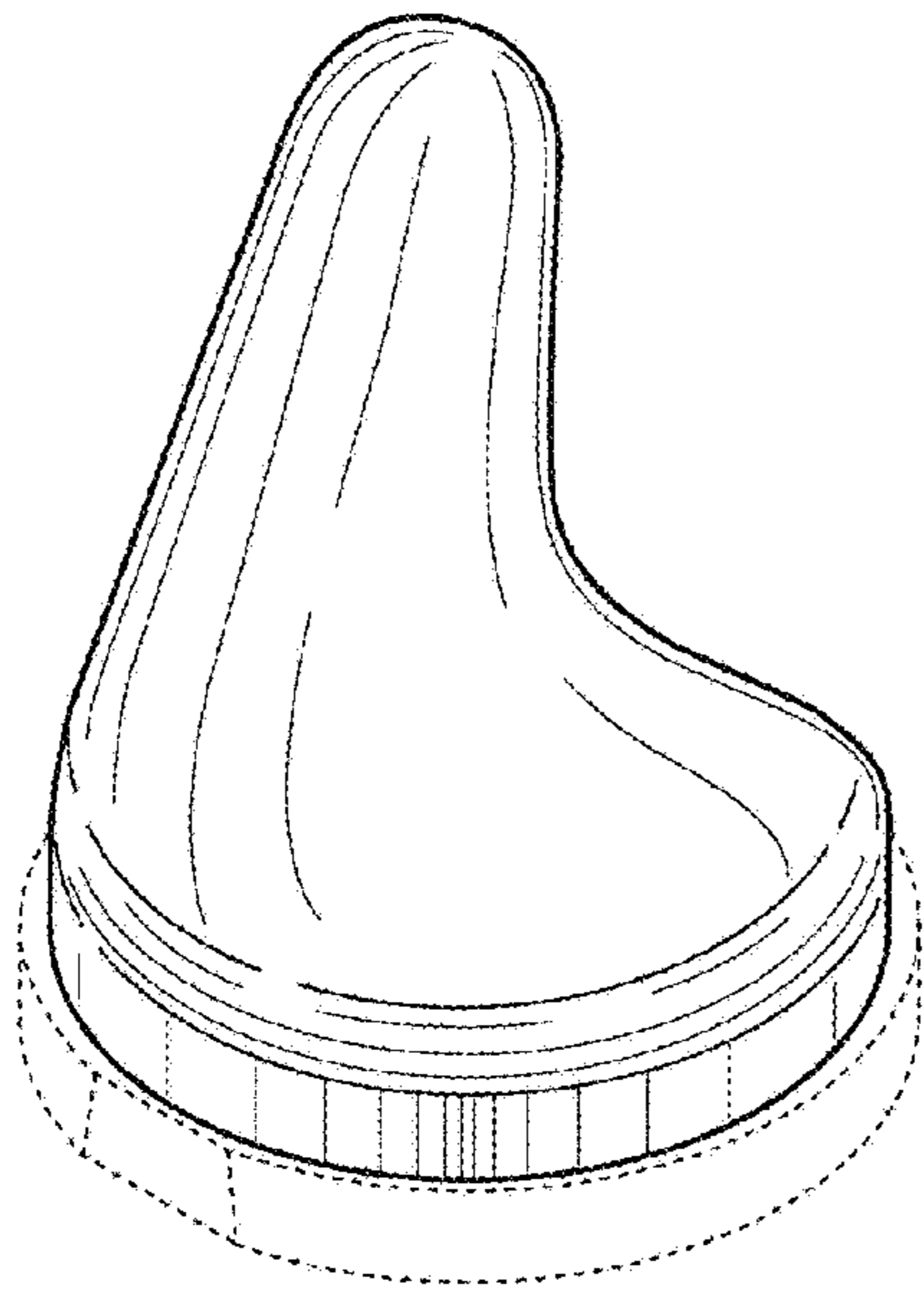


FIG. 1

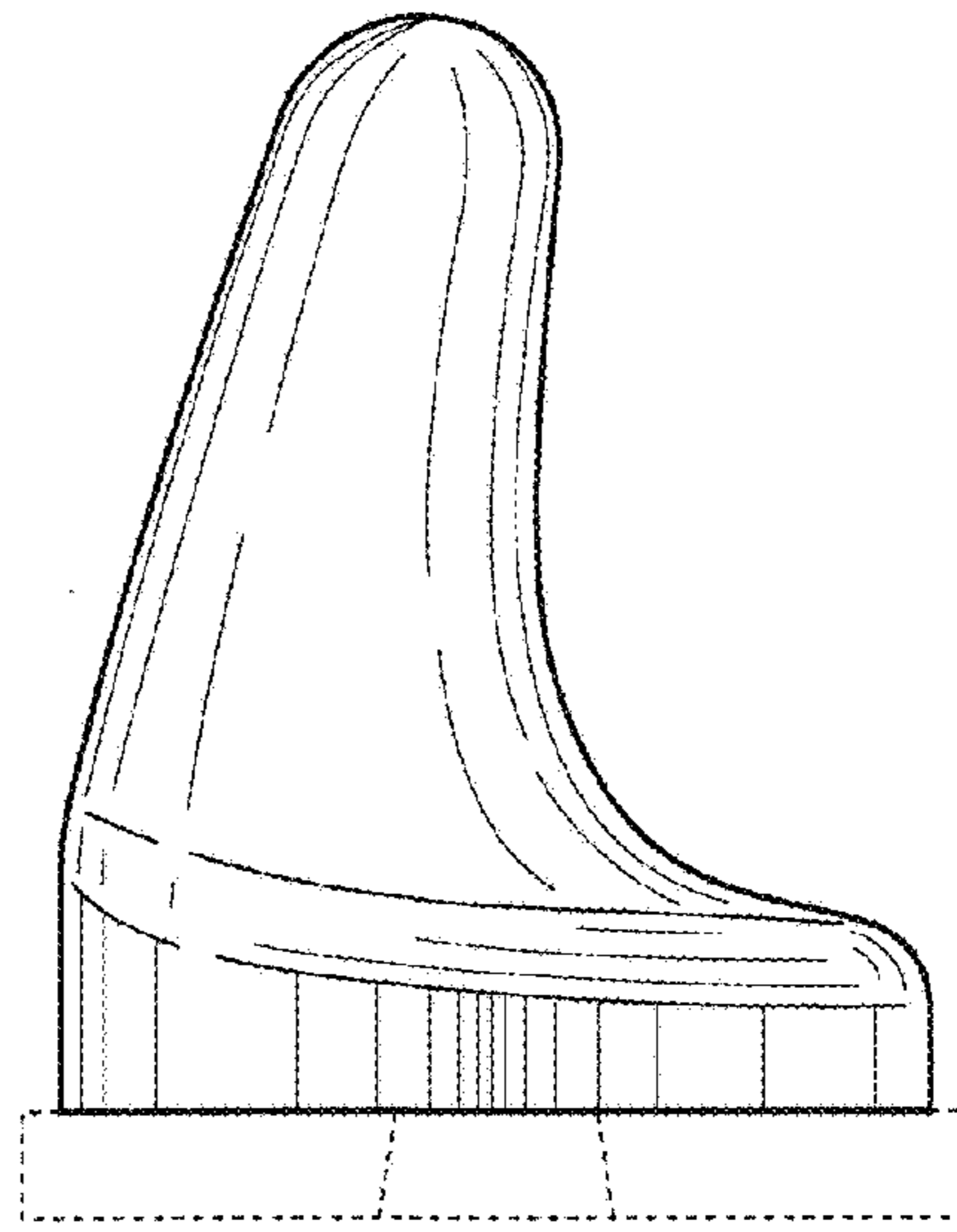


FIG. 2

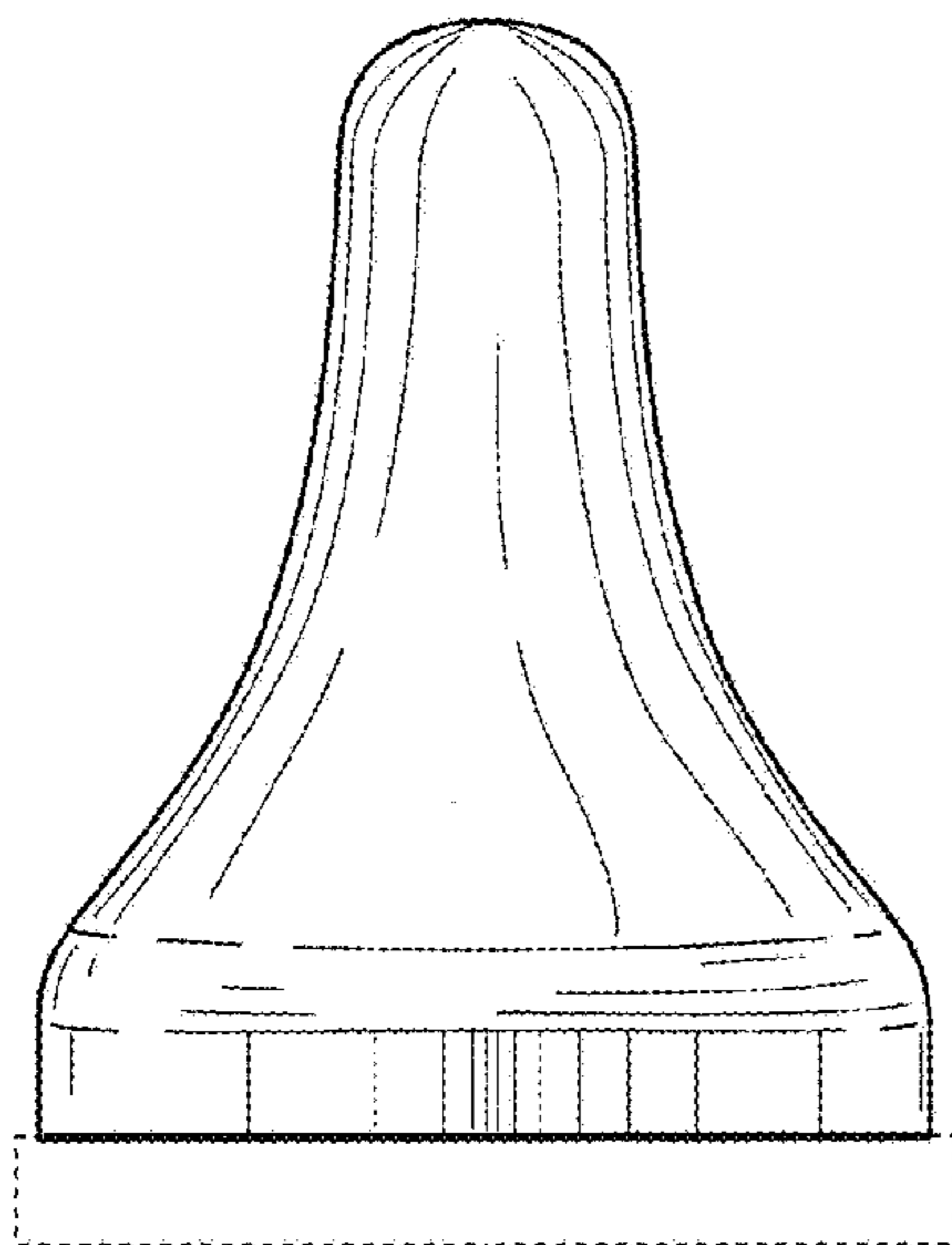


FIG. 3

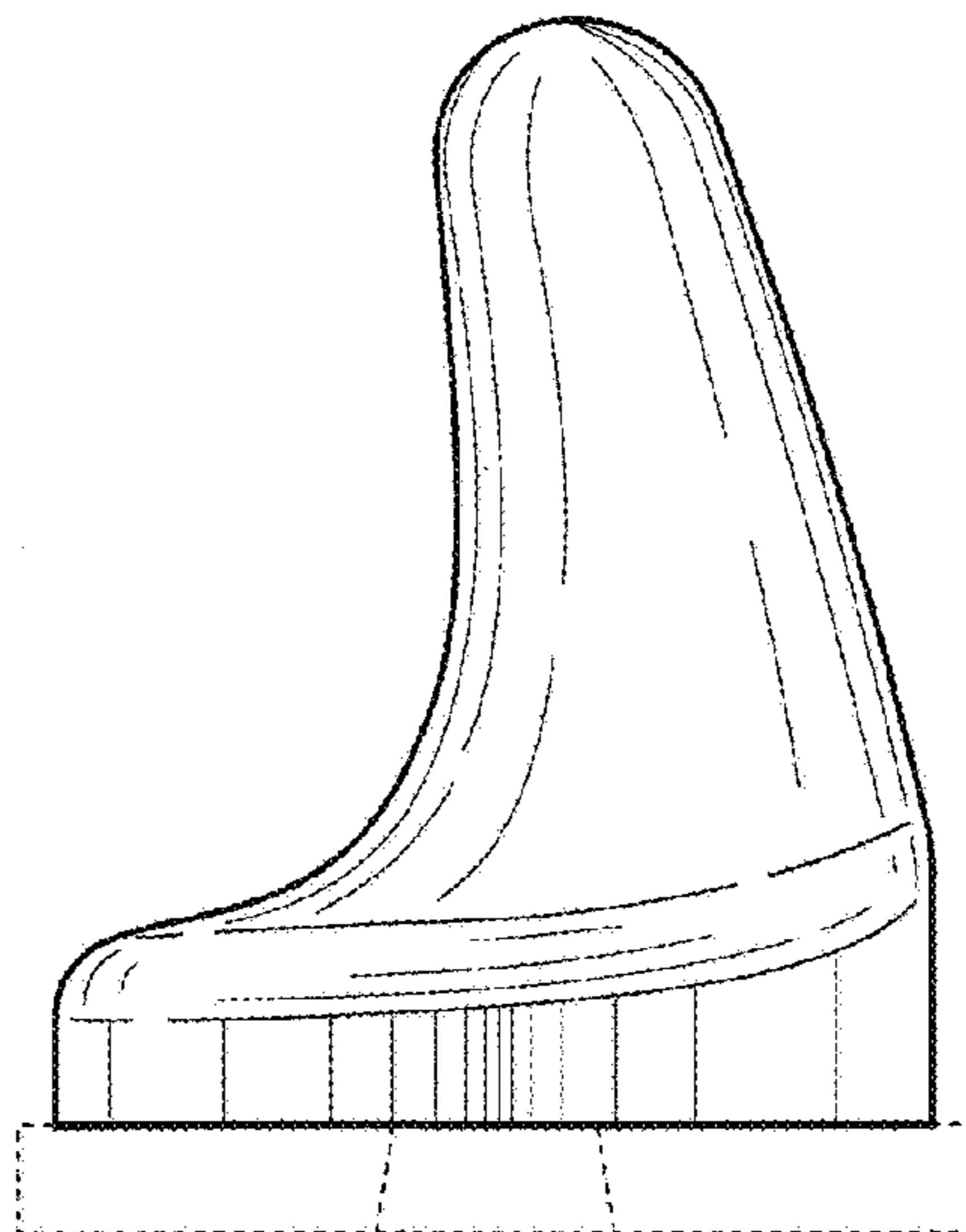


FIG. 4

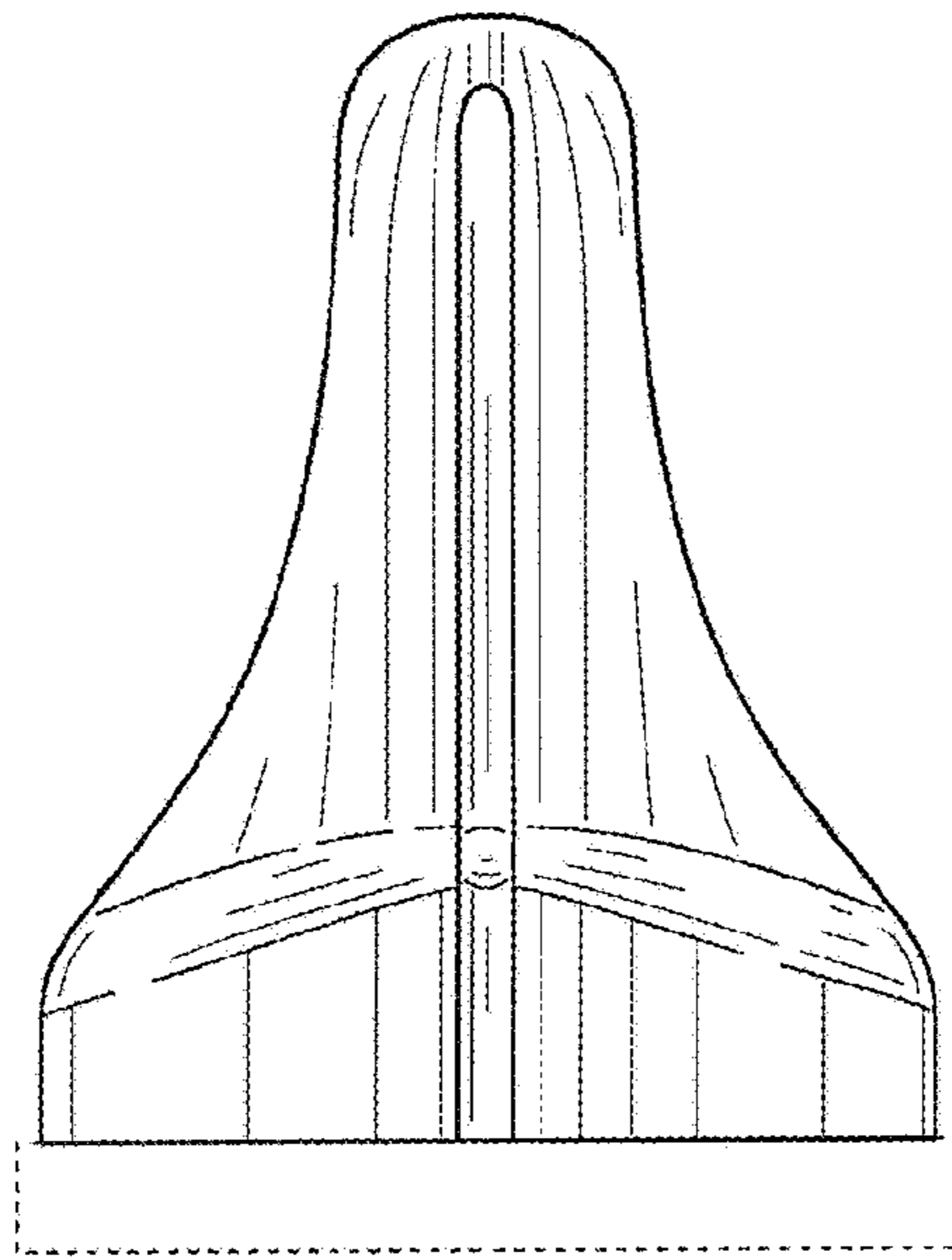


FIG. 5

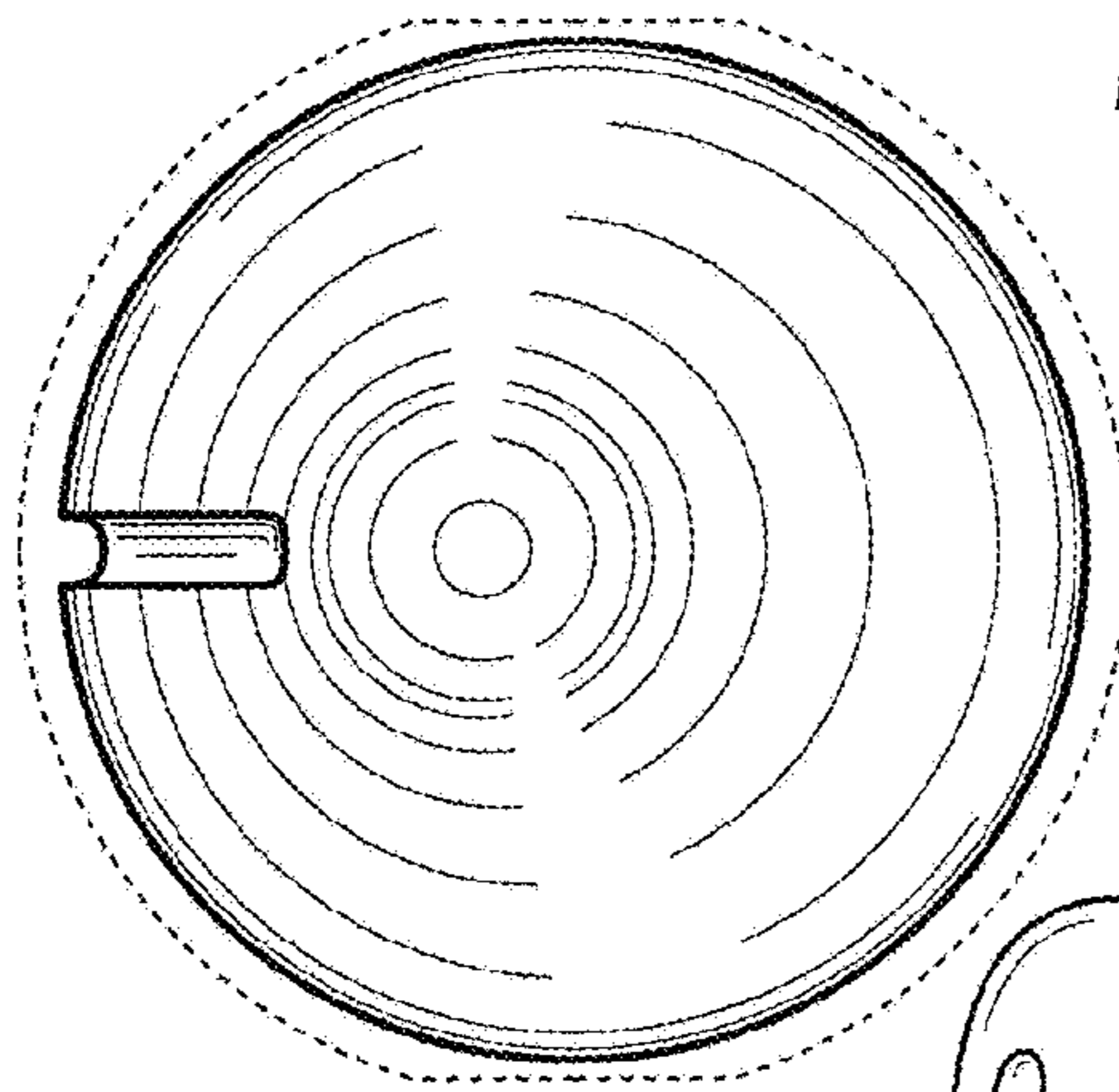


FIG. 6

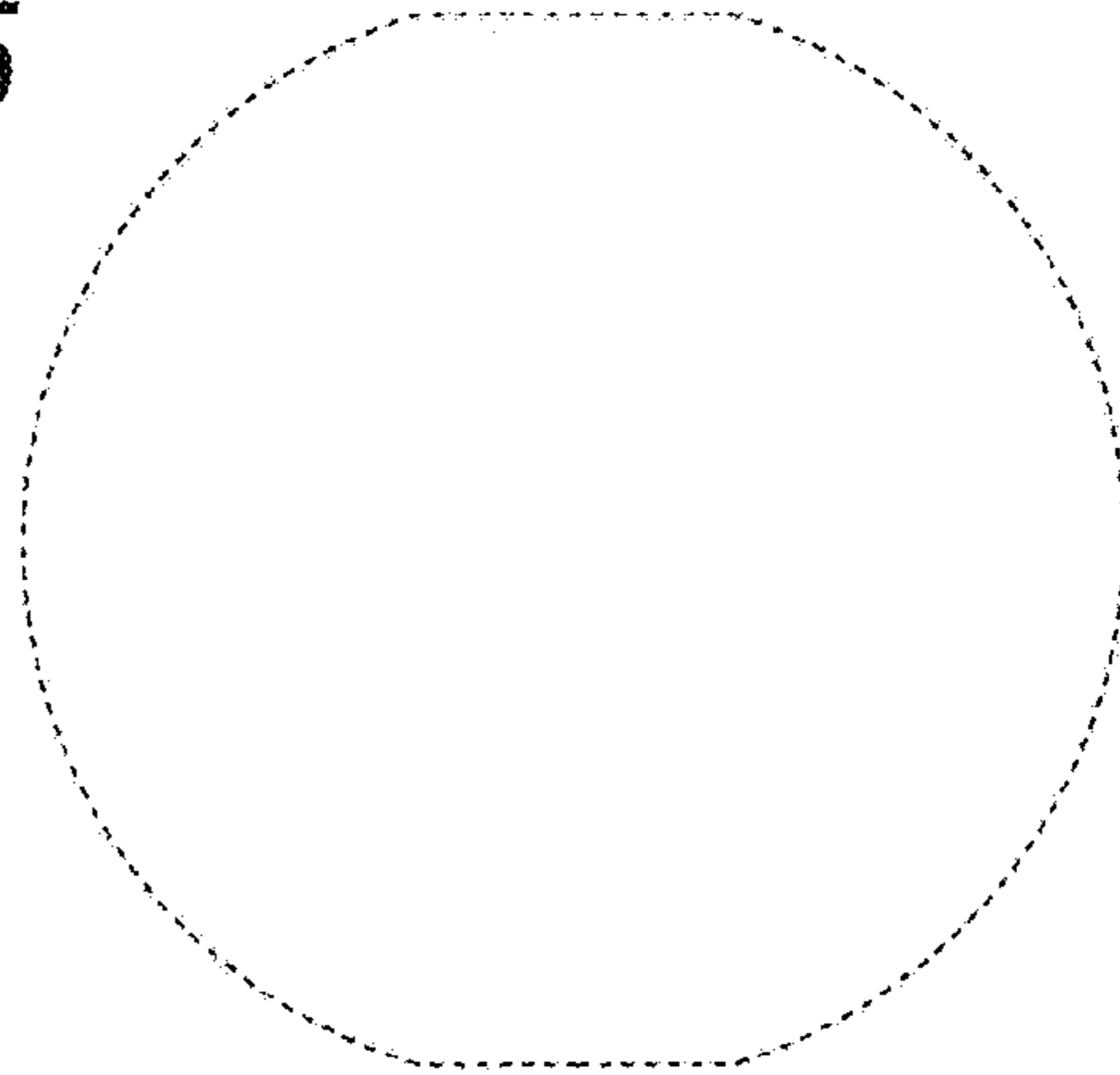


FIG. 7

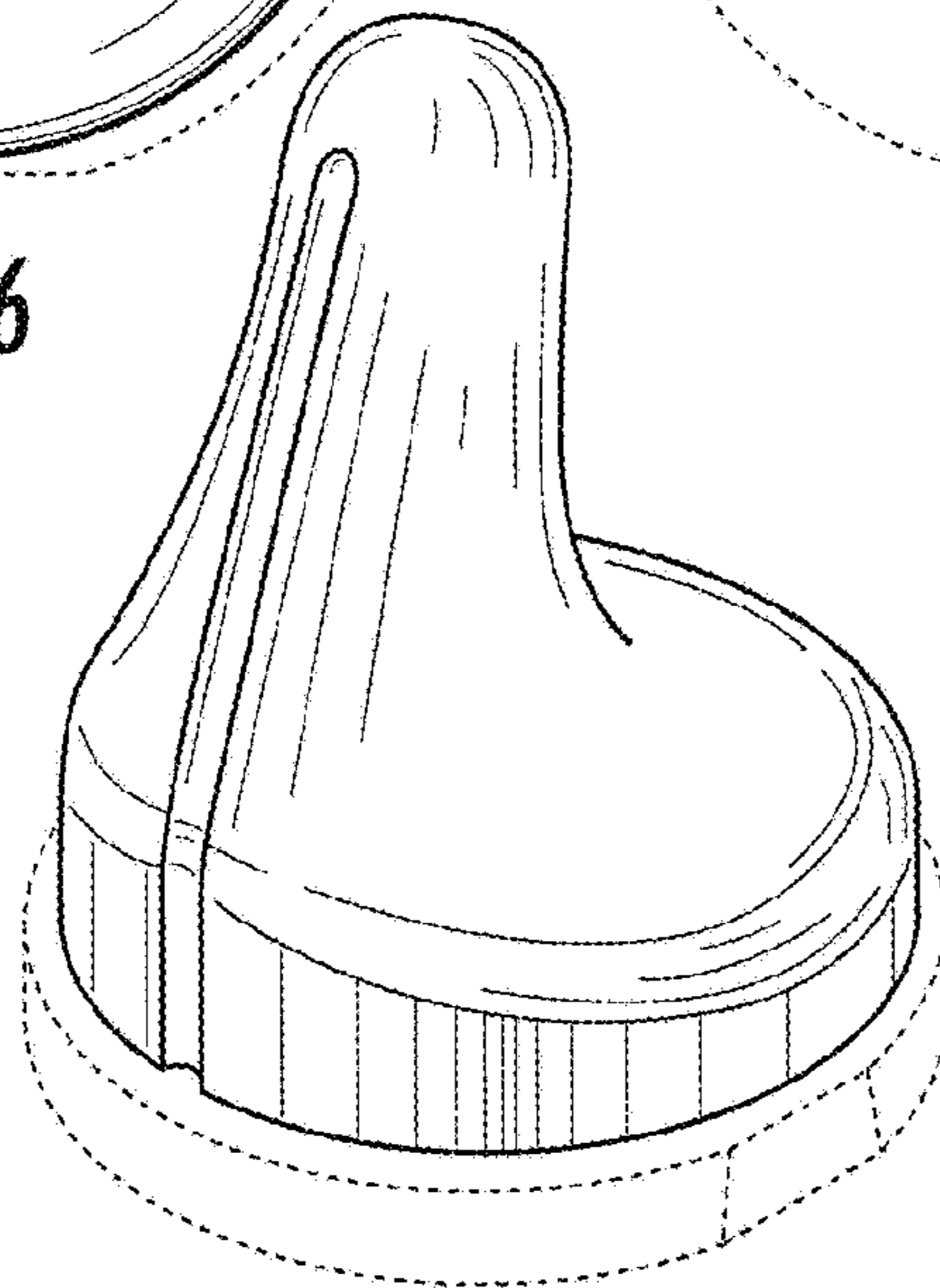


FIG. 8

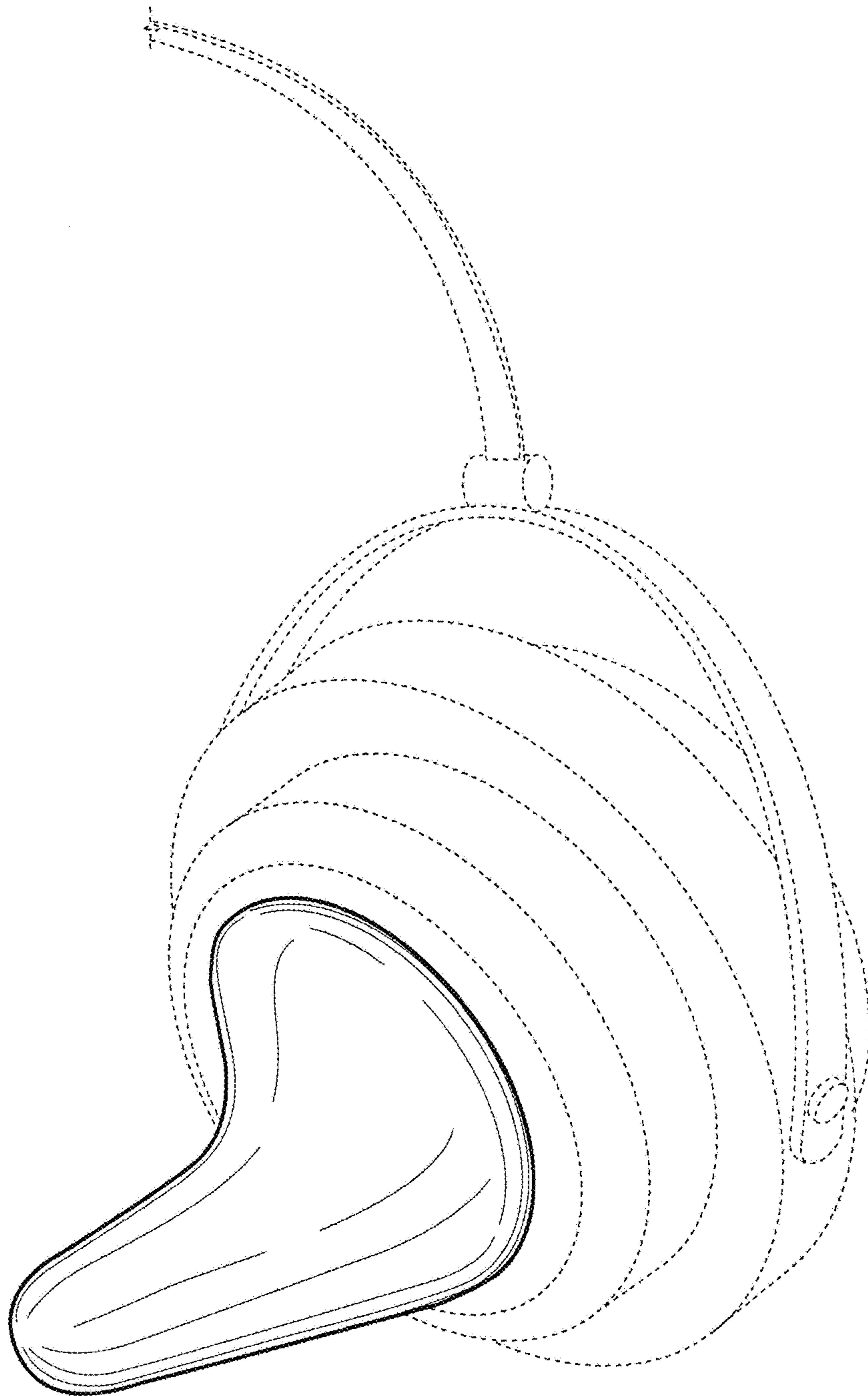


FIG. 9

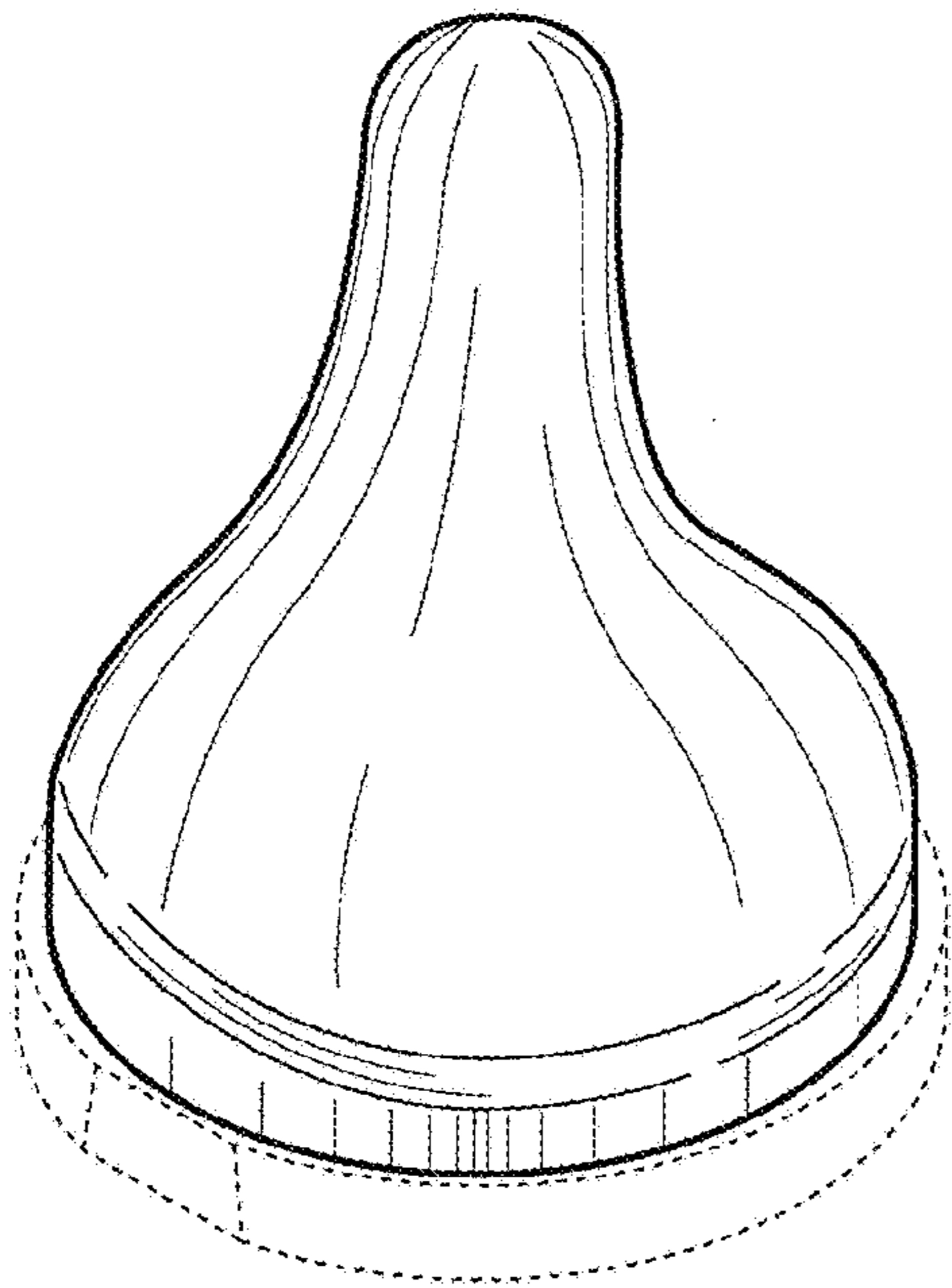


FIG. 10

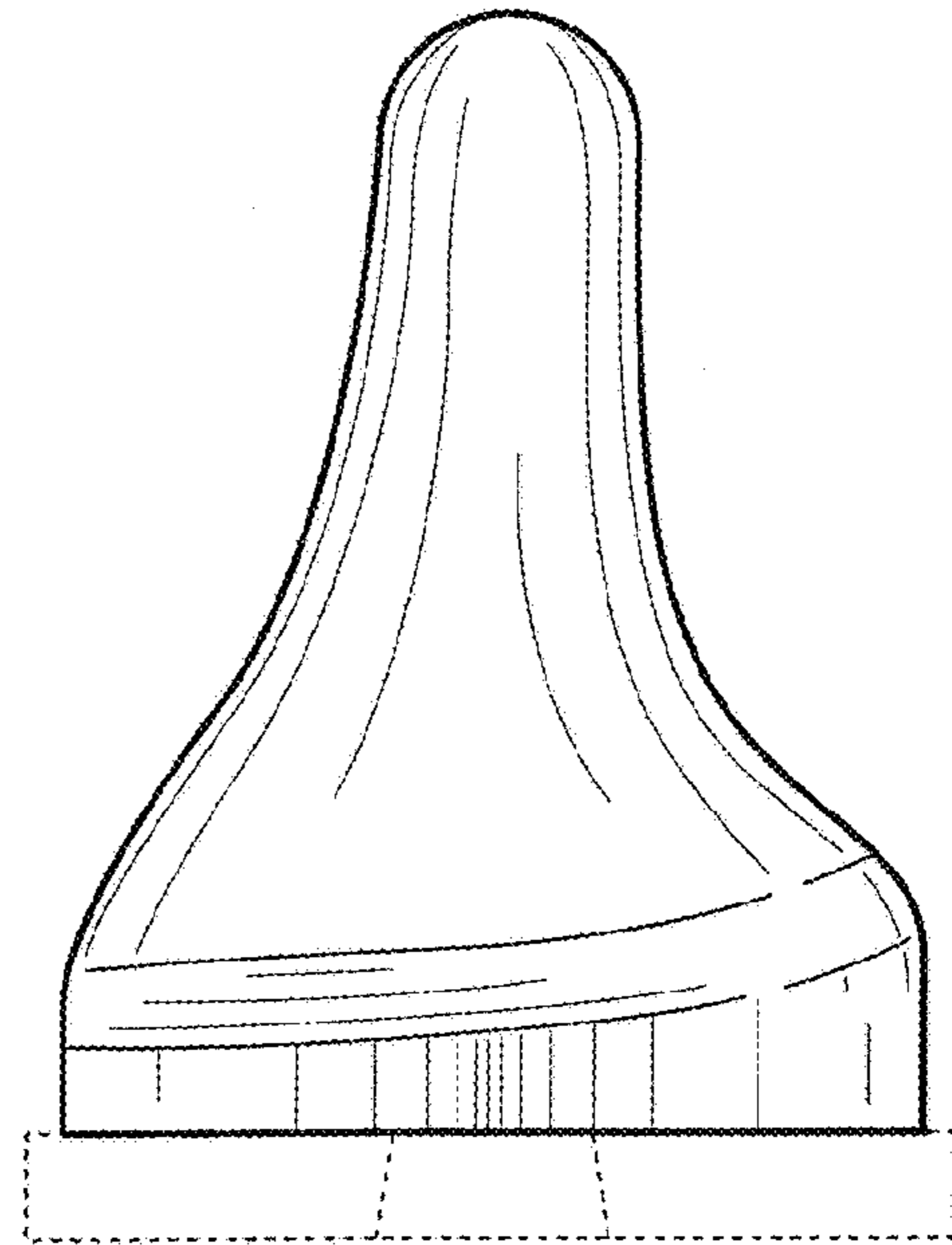


FIG. 11

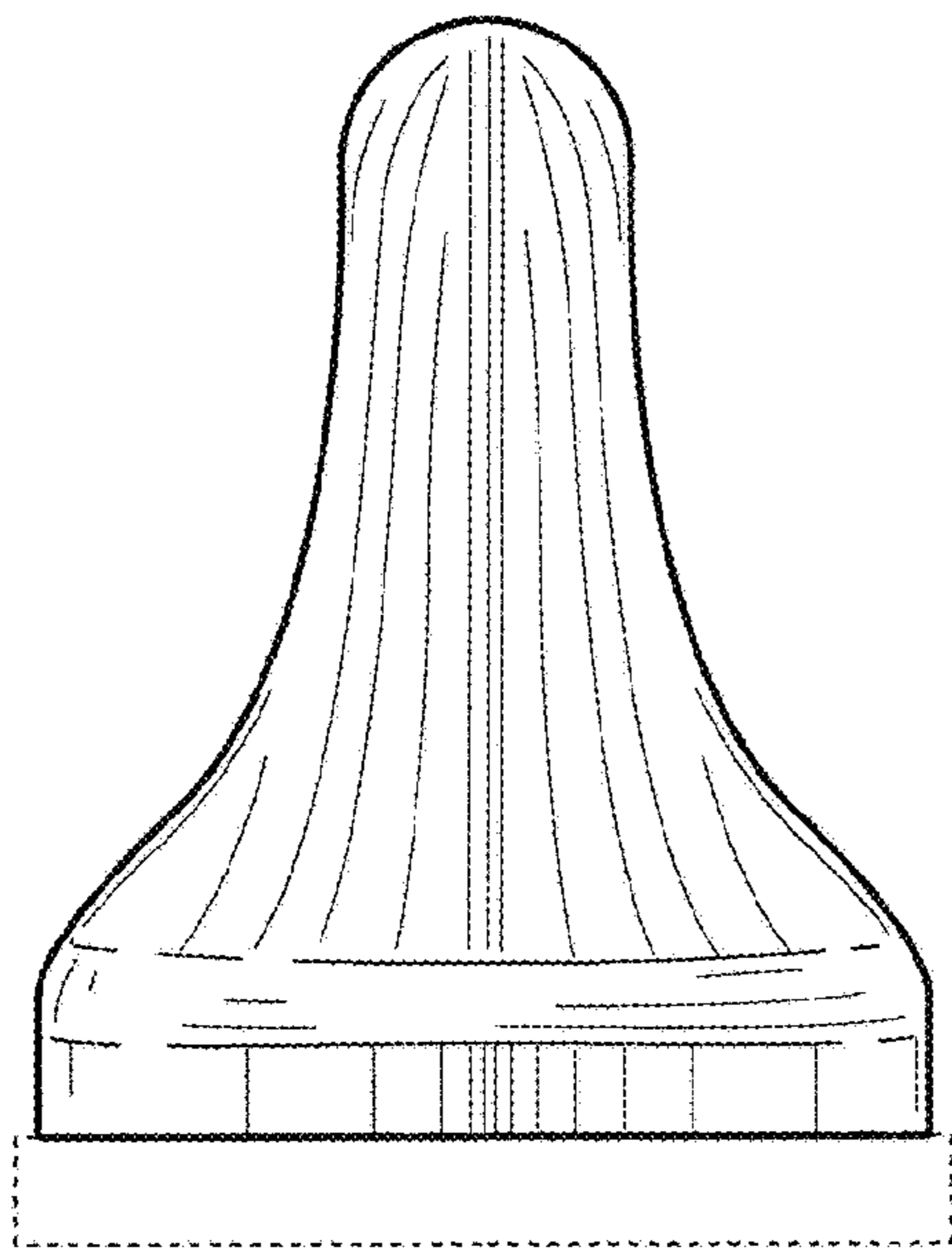


FIG. 12

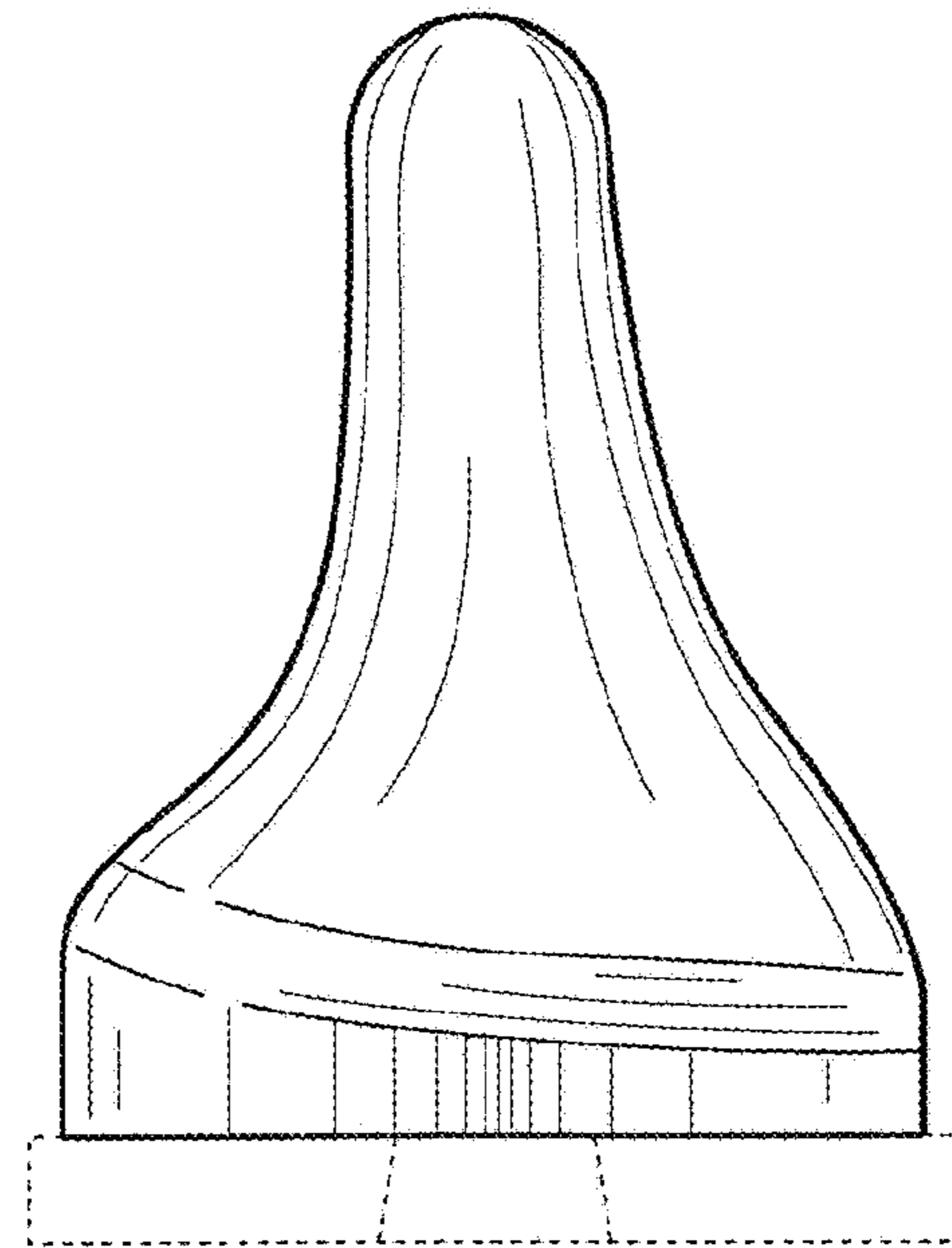


FIG. 13

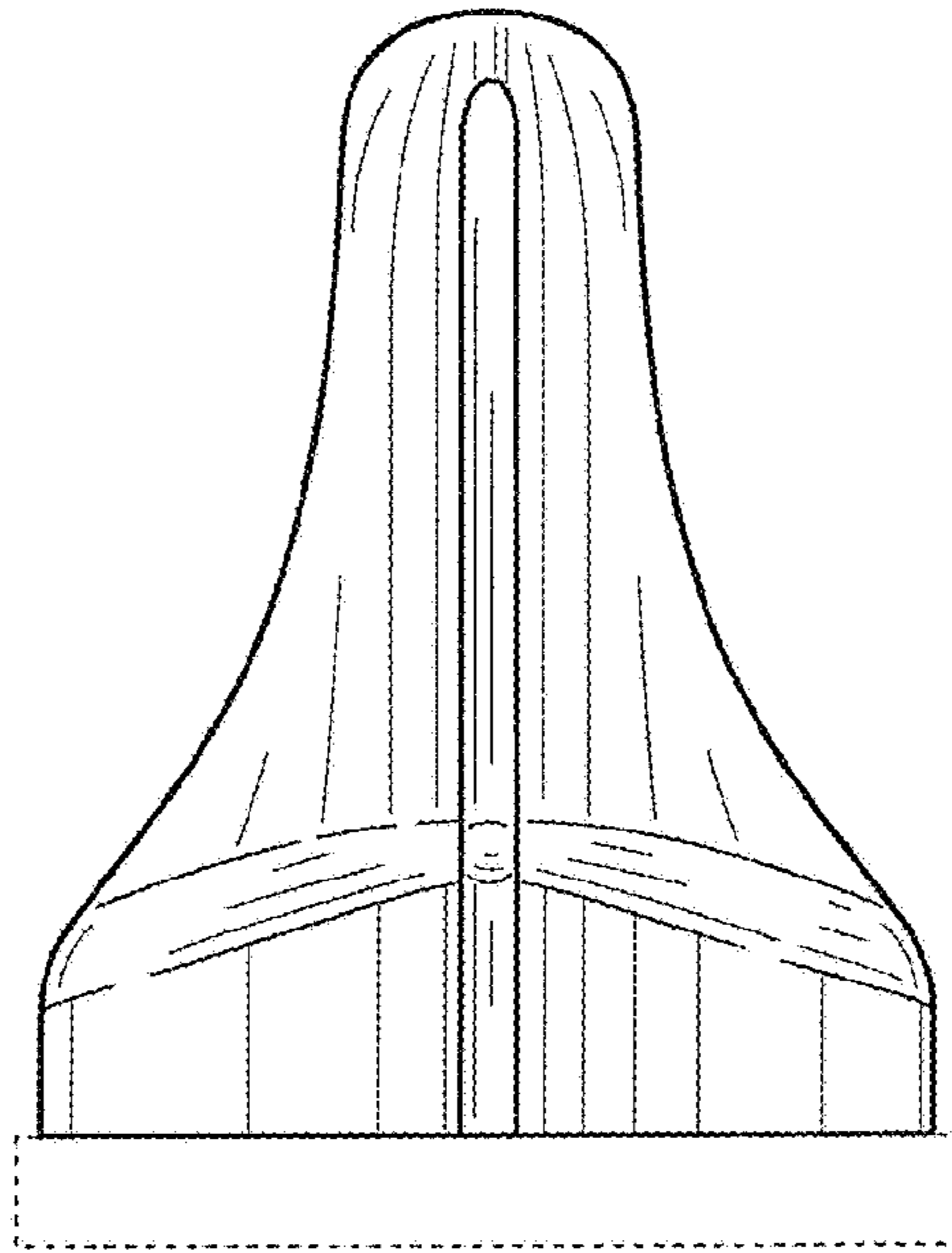


FIG. 14

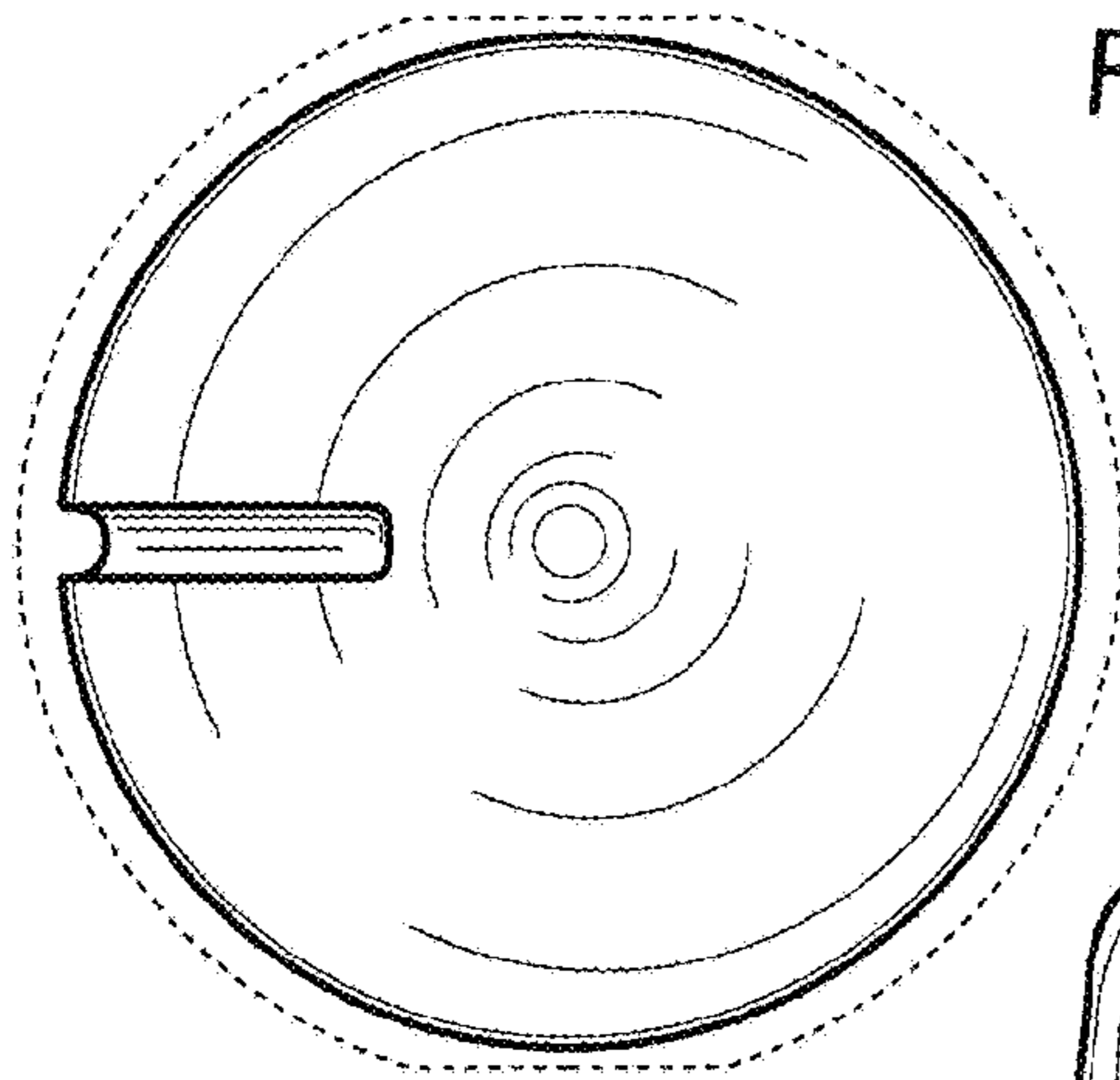


FIG. 15

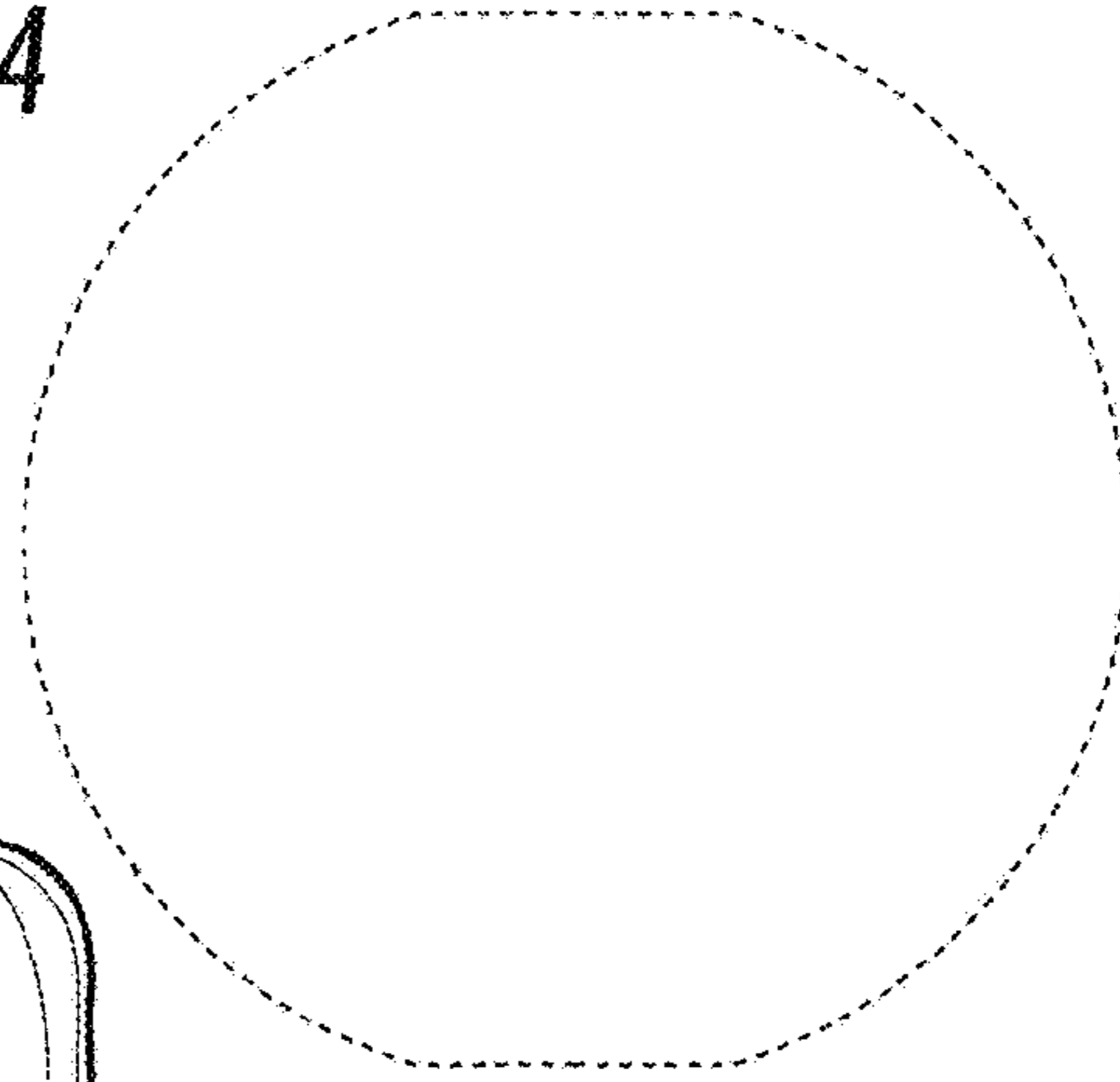


FIG. 16

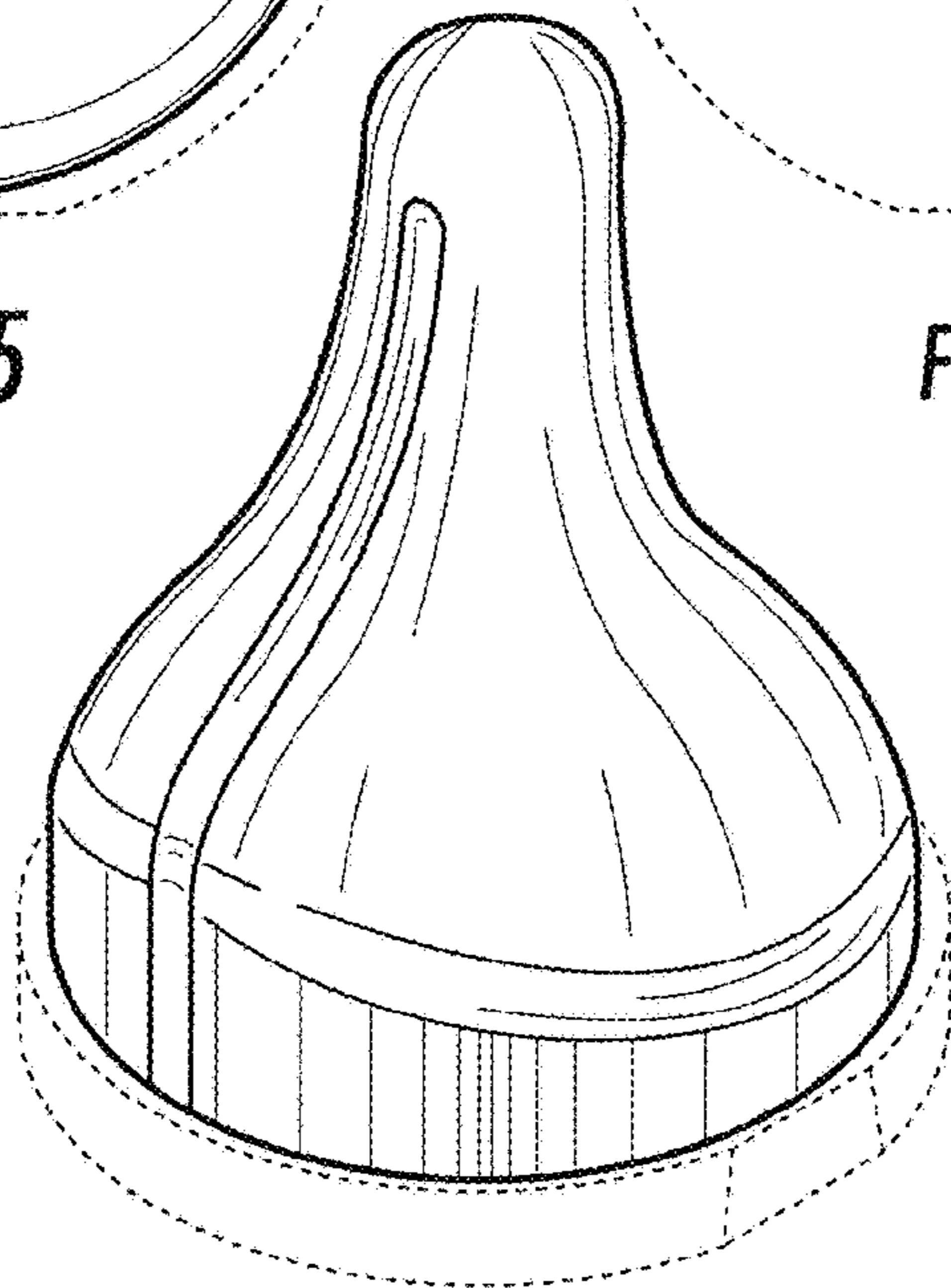


FIG. 17

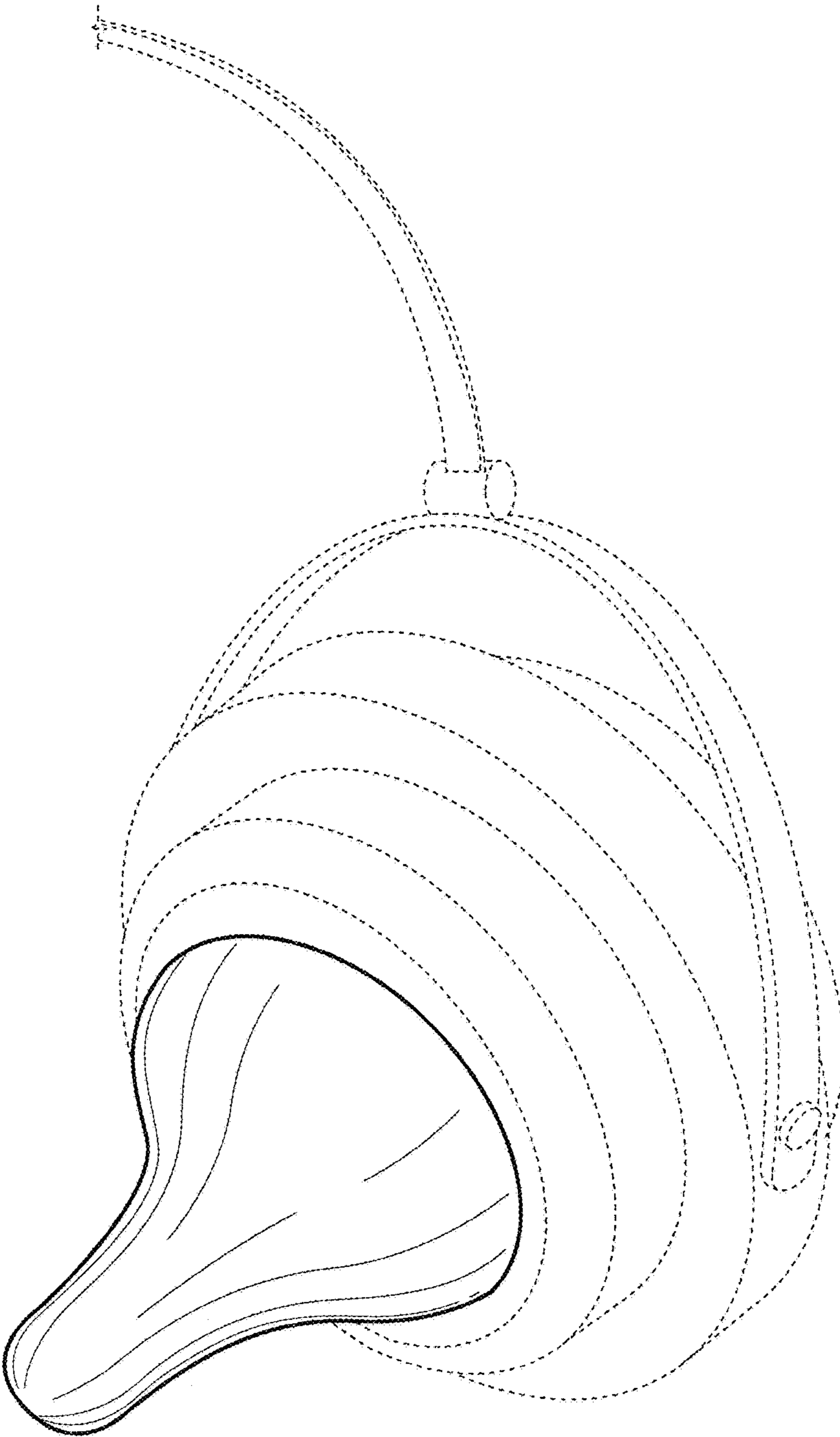


FIG. 18