

US00D691117S

(12) **United States Design Patent**
Silvera

(10) **Patent No.:** **US D691,117 S**

(45) **Date of Patent:** **** Oct. 8, 2013**

(54) **ILLUMINATED TOWER SPEAKER WITH
BLUETOOTH**

(75) Inventor: **Isaac Silvera**, Brooklyn, NY (US)

(73) Assignee: **SDI Technologies, Inc.**, Rahway, NJ
(US)

(**) Term: **14 Years**

(21) Appl. No.: **29/402,112**

(22) Filed: **Sep. 21, 2011**

(51) **LOC (9) Cl.** **14-03**

(52) **U.S. Cl.**
USPC **D14/216; D14/213**

(58) **Field of Classification Search**
USPC D14/168, 172, 185, 188, 204–216,
D14/221, 222; 181/143, 144, 147, 148, 150,
181/153, 157, 198, 199; 381/300–303, 306,
381/332, 333, 336, 345, 361–364, 386–388
See application file for complete search history.

(56) **References Cited**

U.S. PATENT DOCUMENTS

D229,565 S *	12/1973	Legorju	D14/212
D343,231 S *	1/1994	Lim	D23/336
D354,750 S *	1/1995	Lewis	D14/216
D364,165 S *	11/1995	Esslinger	D14/213
D457,875 S *	5/2002	Joe	D14/211
D491,920 S *	6/2004	Tsuge	D14/211

D496,349 S *	9/2004	Allen	D14/211
D503,168 S *	3/2005	Hisatsune	D14/211
D562,307 S *	2/2008	Warden	D14/211
D597,937 S *	8/2009	Haw et al.	D13/107
D641,340 S *	7/2011	Huh	D14/214
D658,159 S *	4/2012	Janky et al.	D14/214
D680,517 S *	4/2013	Khoo et al.	D14/213

* cited by examiner

Primary Examiner — Keli L Hill

(74) *Attorney, Agent, or Firm* — Ostrolenk Faber LLP

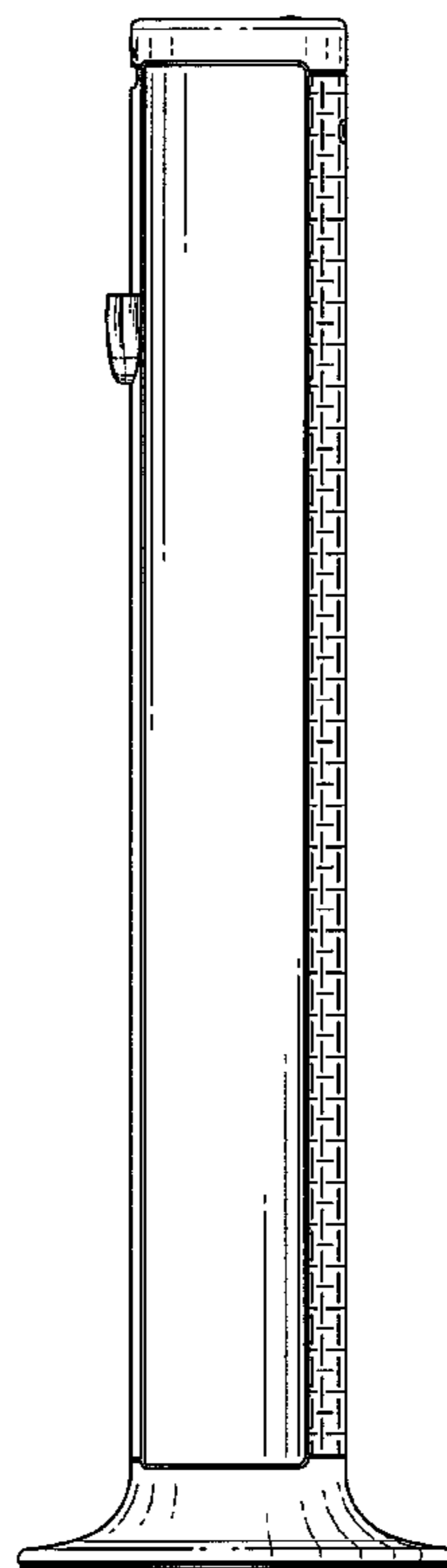
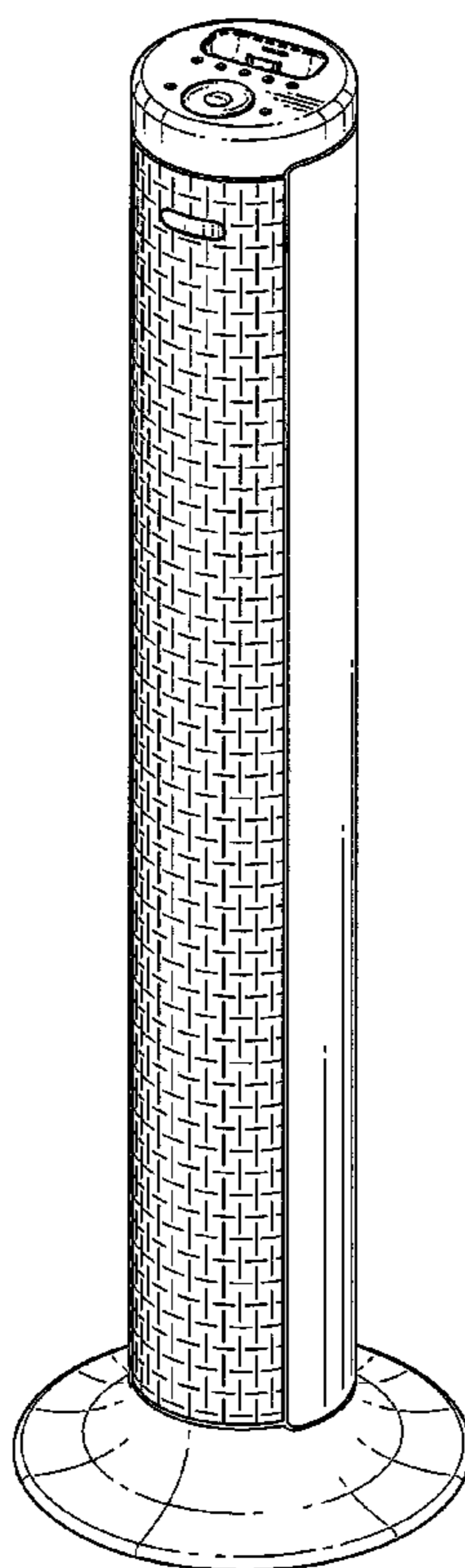
(57) **CLAIM**

The ornamental design for illuminated tower speaker with bluetooth, as shown and described.

DESCRIPTION

FIG. 1 is a front, perspective view of an illuminated tower speaker with bluetooth showing my new design;
FIG. 2 is front view thereof;
FIG. 3 is a rear view thereof;
FIG. 4 is a top view thereof, shown enlarged;
FIG. 5 is a bottom view thereof, shown enlarged;
FIG. 6 is a side view thereof, the opposite side view being a mirror image; and,
FIG. 7 is a cross-sectional view along line 7-7 in FIG. 3.
The broken lines in the drawings illustrate environmental material that forms no part of the claimed design.

1 Claim, 7 Drawing Sheets



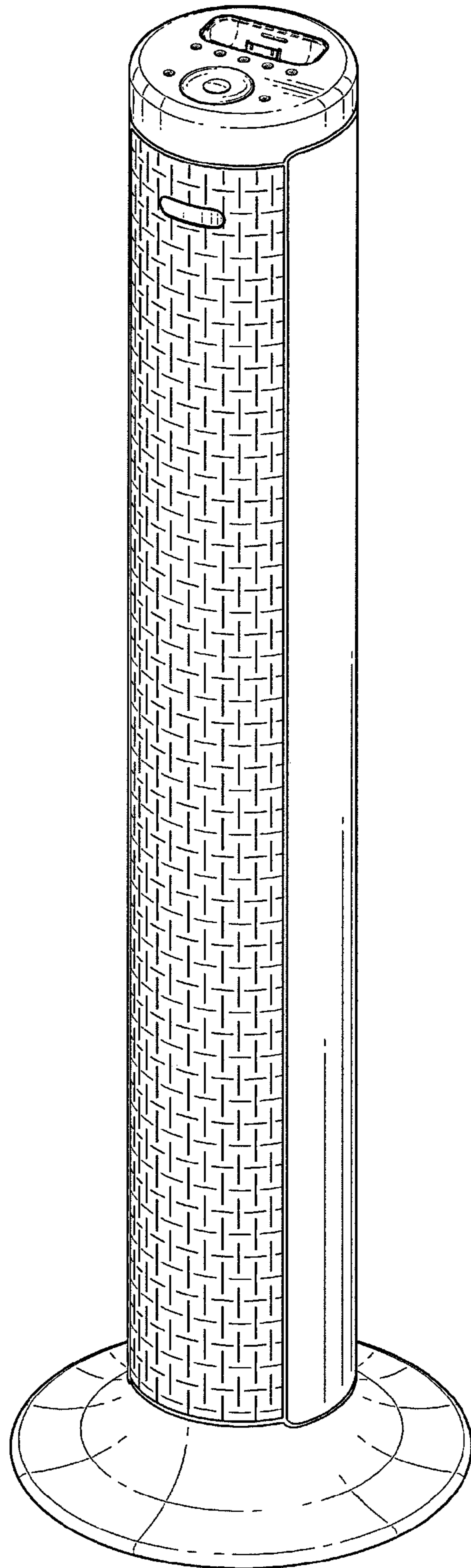


FIG. 1

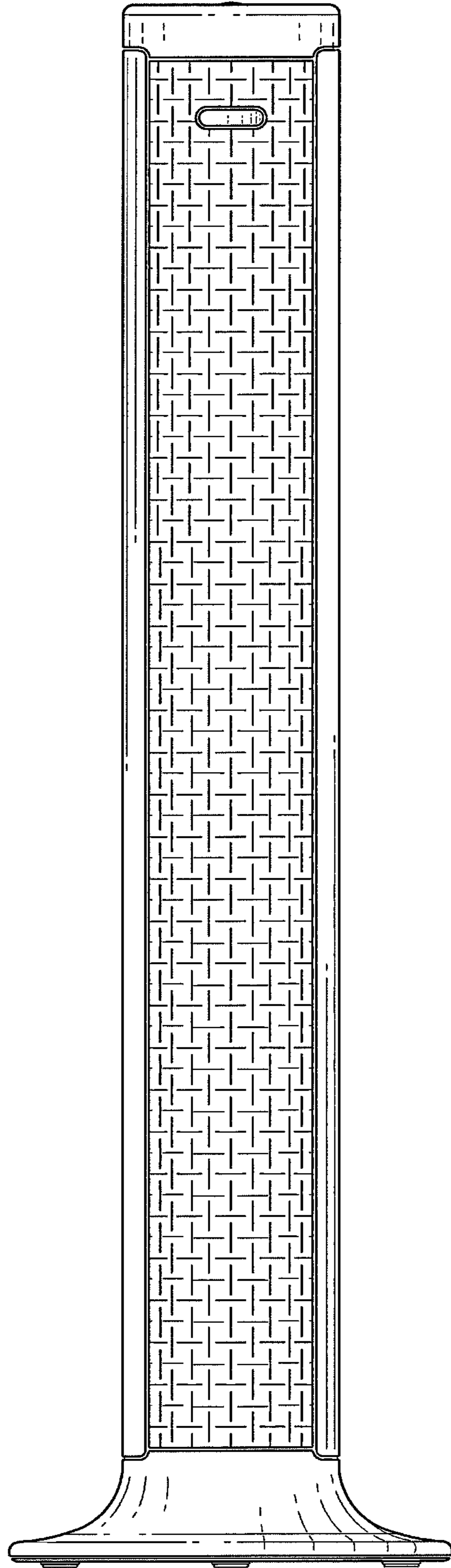


FIG. 2

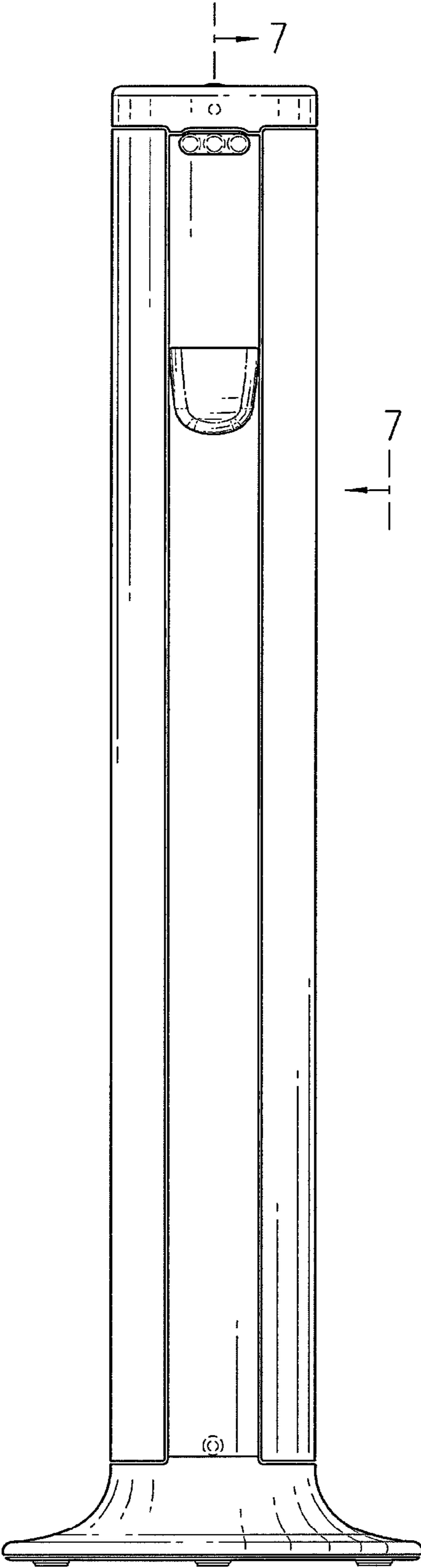


FIG. 3

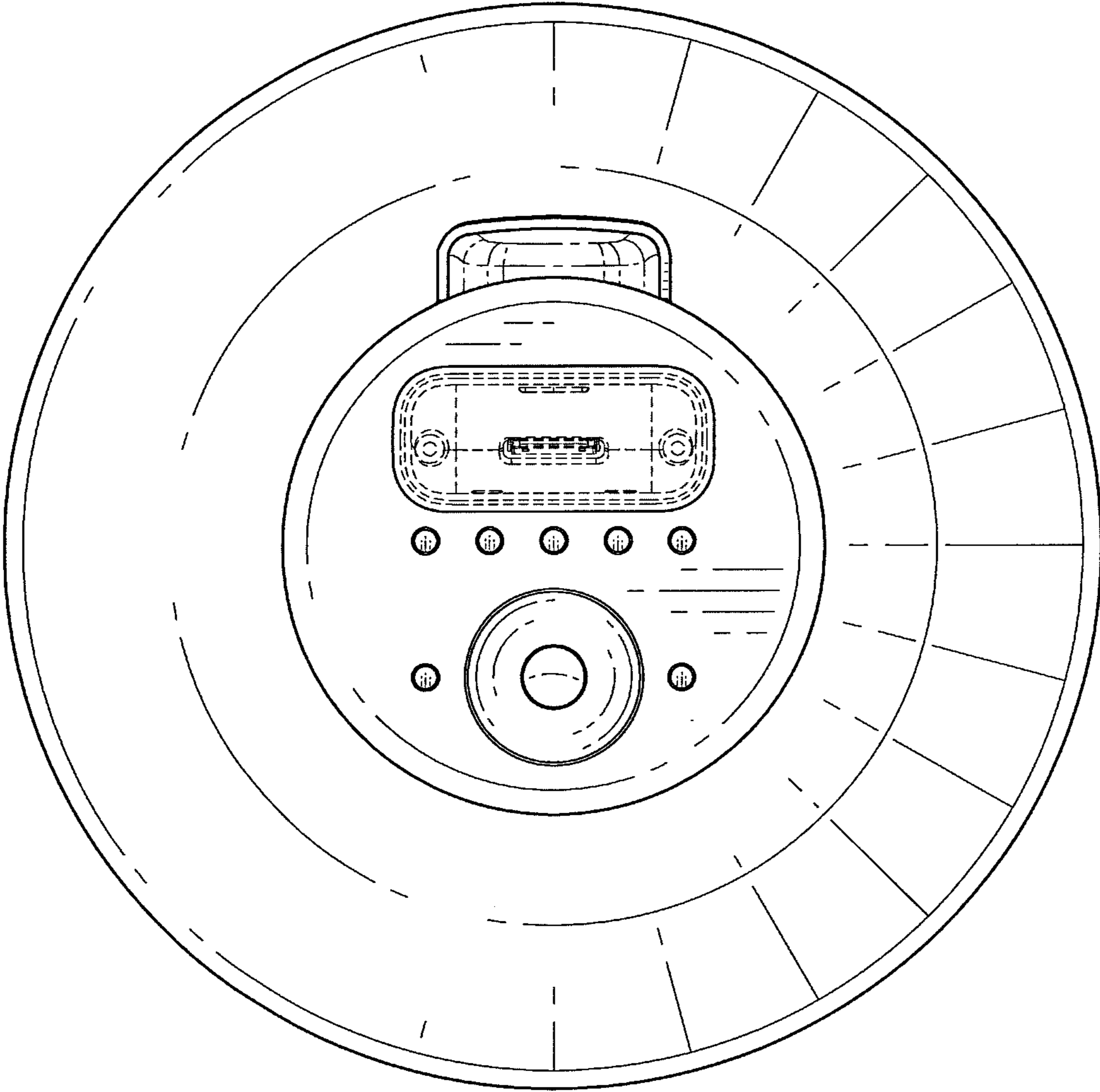


FIG. 4

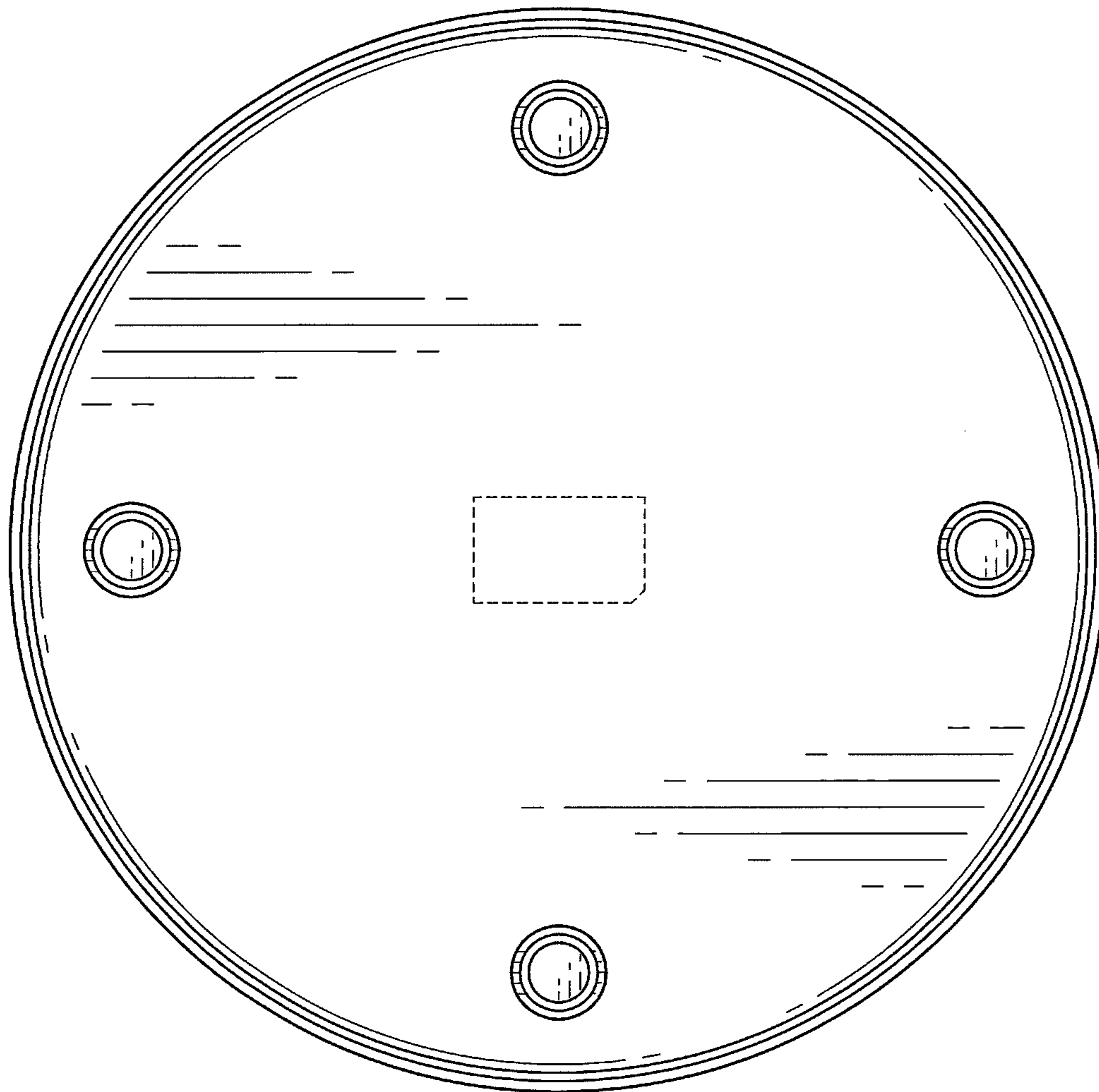


FIG. 5

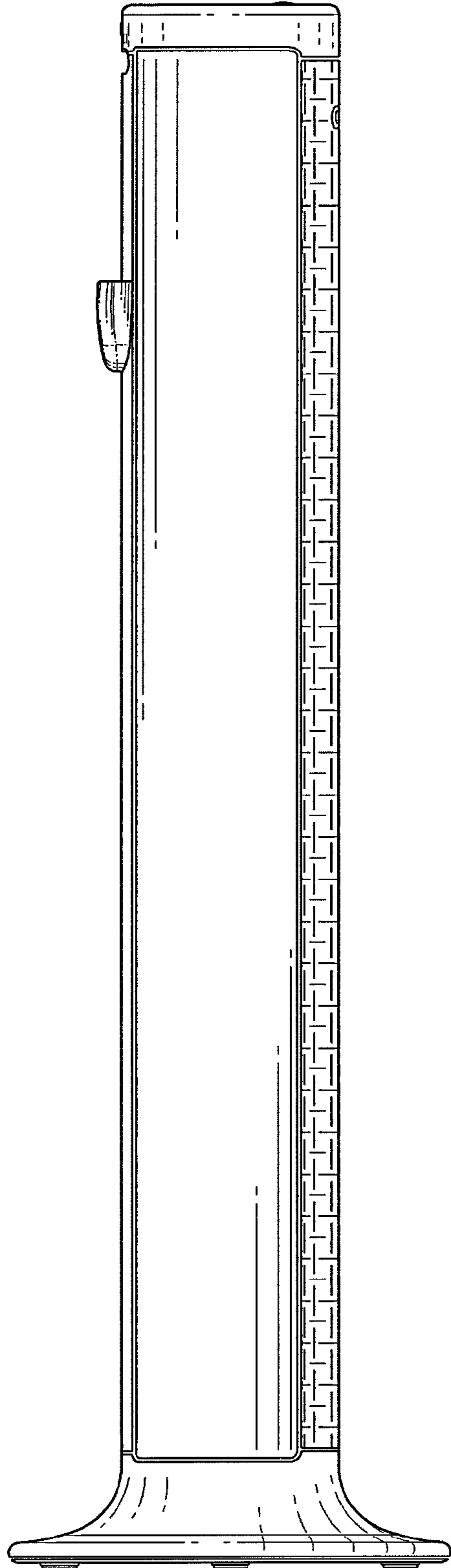


FIG. 6

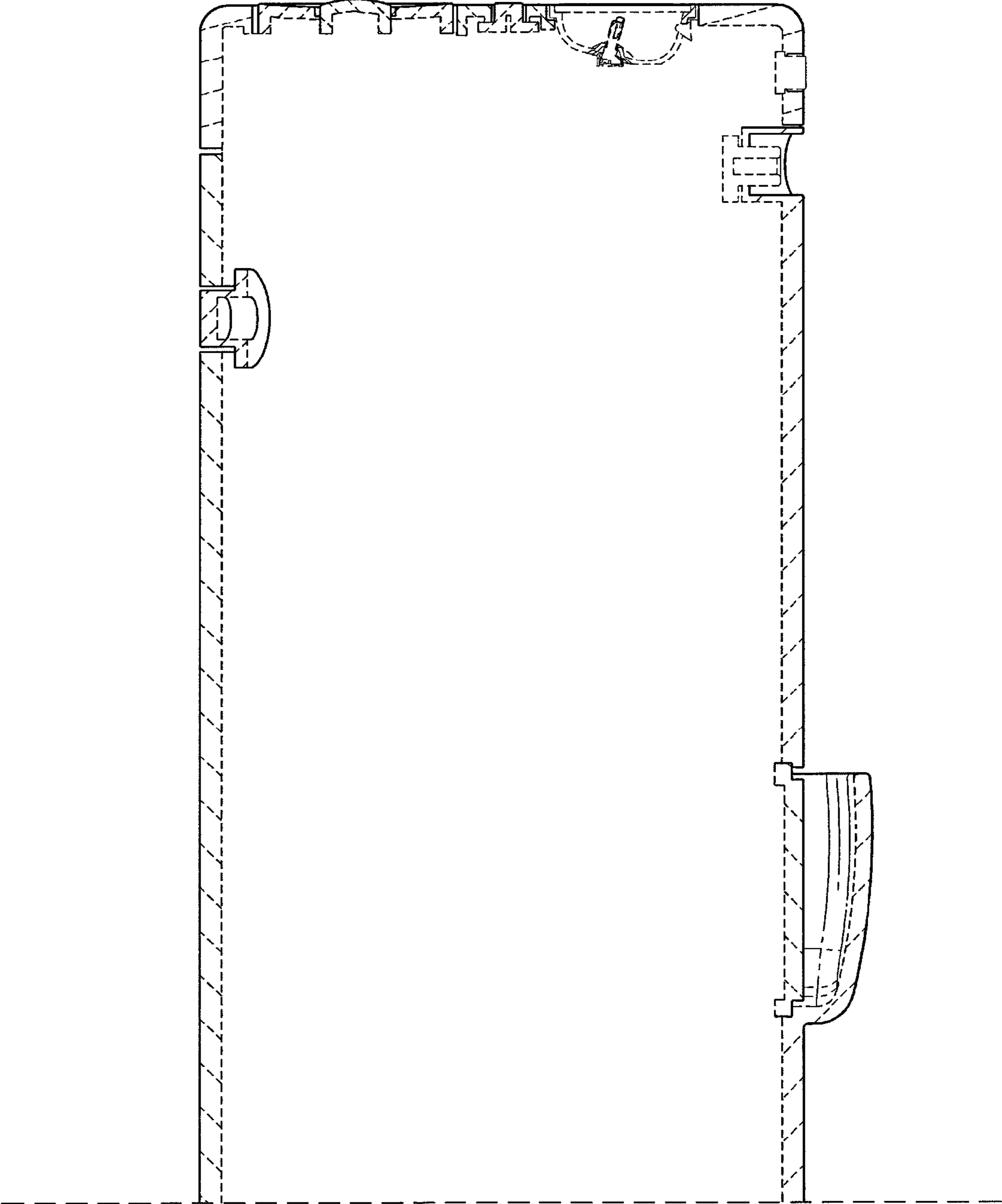


FIG. 7