



US00D691116S

(12) **United States Design Patent**
Ponce

(10) **Patent No.:** **US D691,116 S**

(45) **Date of Patent:** **** Oct. 8, 2013**

(54) **GLOWING SPEAKER**

(71) Applicant: **DreamGEAR, LLC**, Torrance, CA (US)

(72) Inventor: **Michael Ponce**, Westchester, CA (US)

(73) Assignee: **dreamGEAR, LLC**, Torrance, CA (US)

(**) Term: **14 Years**

(21) Appl. No.: **29/439,012**

(22) Filed: **Dec. 5, 2012**

(51) **LOC (9) Cl.** **14-03**

(52) **U.S. Cl.**
USPC **D14/215**

(58) **Field of Classification Search**

USPC D14/167, 172, 194–196, 204, 207,
D14/209.1, 210–216, 221, 222; 181/143,
181/144, 147, 148, 150, 153, 157, 198, 199;
381/300–303, 306, 332, 333, 336, 345, 361–364,
381/386–388; D23/1–3, 51, 52

See application file for complete search history.

(56) **References Cited**

U.S. PATENT DOCUMENTS

D223,580 S *	5/1972	Richard	D14/215
D318,668 S *	7/1991	Hervatin	D14/168
D421,437 S *	3/2000	Myers	D14/188
D442,747 S *	5/2001	Lau	D30/106
D530,319 S *	10/2006	Sarasjoki et al.	D14/253
D548,857 S *	8/2007	Egawa	D26/1
D553,612 S *	10/2007	Chen et al.	D14/216
D557,251 S *	12/2007	Nohara	D14/194
D641,004 S *	7/2011	Poandl	D14/209.1

D651,193 S *	12/2011	Chang	D14/209.1
D671,909 S *	12/2012	Choi	D14/188
D672,334 S *	12/2012	Tzeng	D14/212
D675,193 S *	1/2013	Yan et al.	D14/216
2005/0105745 A1 *	5/2005	Bowen et al.	381/89

* cited by examiner

Primary Examiner — Keli L Hill

(74) *Attorney, Agent, or Firm* — Daniel R. Kimbell; Karish & Bjorgum, PC

(57) **CLAIM**

The ornamental design for a glowing speaker, as shown and described.

DESCRIPTION

FIG. 1 is top front left isometric view showing the glowing speaker of the invention.

FIG. 2 is a top rear right isometric view showing the glowing speaker of FIG. 1.

FIG. 3 is a front view showing the glowing speaker of FIG. 1.

FIG. 4 is a rear view showing the glowing speaker of FIG. 1.

FIG. 5 is a top view showing the glowing speaker of FIG. 1.

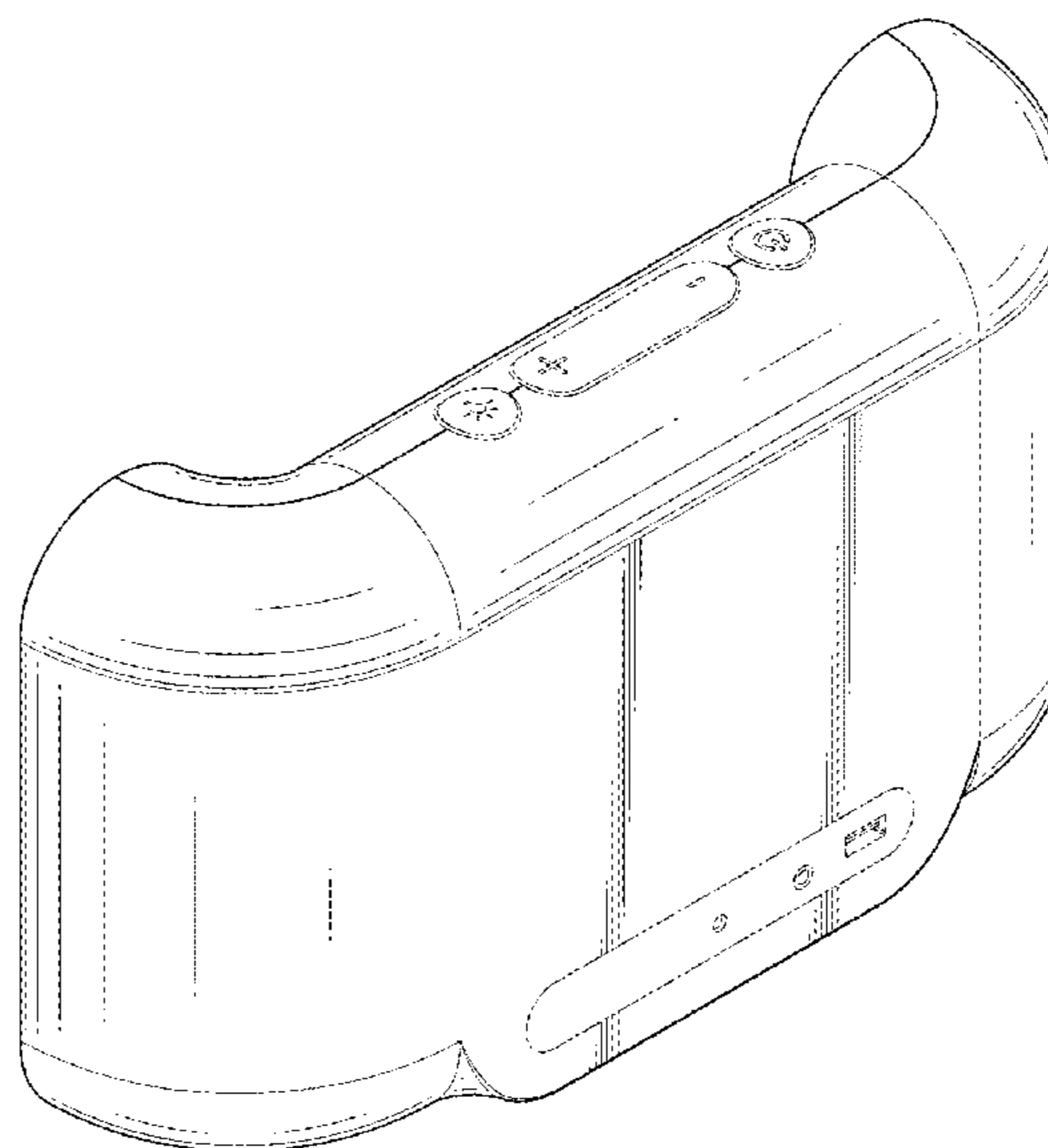
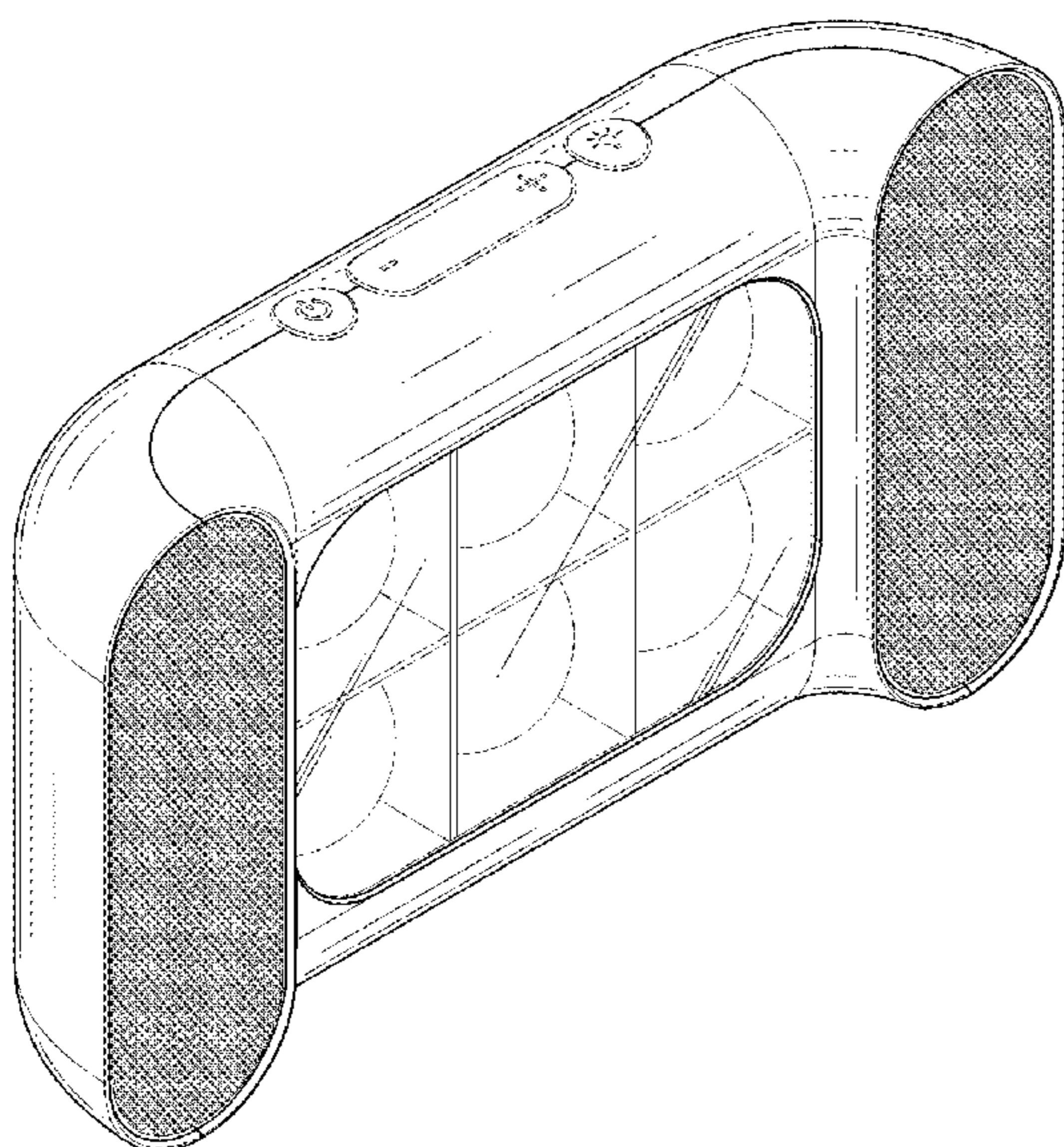
FIG. 6 is a bottom view showing the glowing speaker of FIG. 1.

FIG. 7 is a left end view showing the glowing speaker of FIG. 1; and,

FIG. 8 is a right end view showing the glowing speaker of FIG. 1.

Features shown in broken dashed lines are not claimed and form no part of the invention.

1 Claim, 4 Drawing Sheets



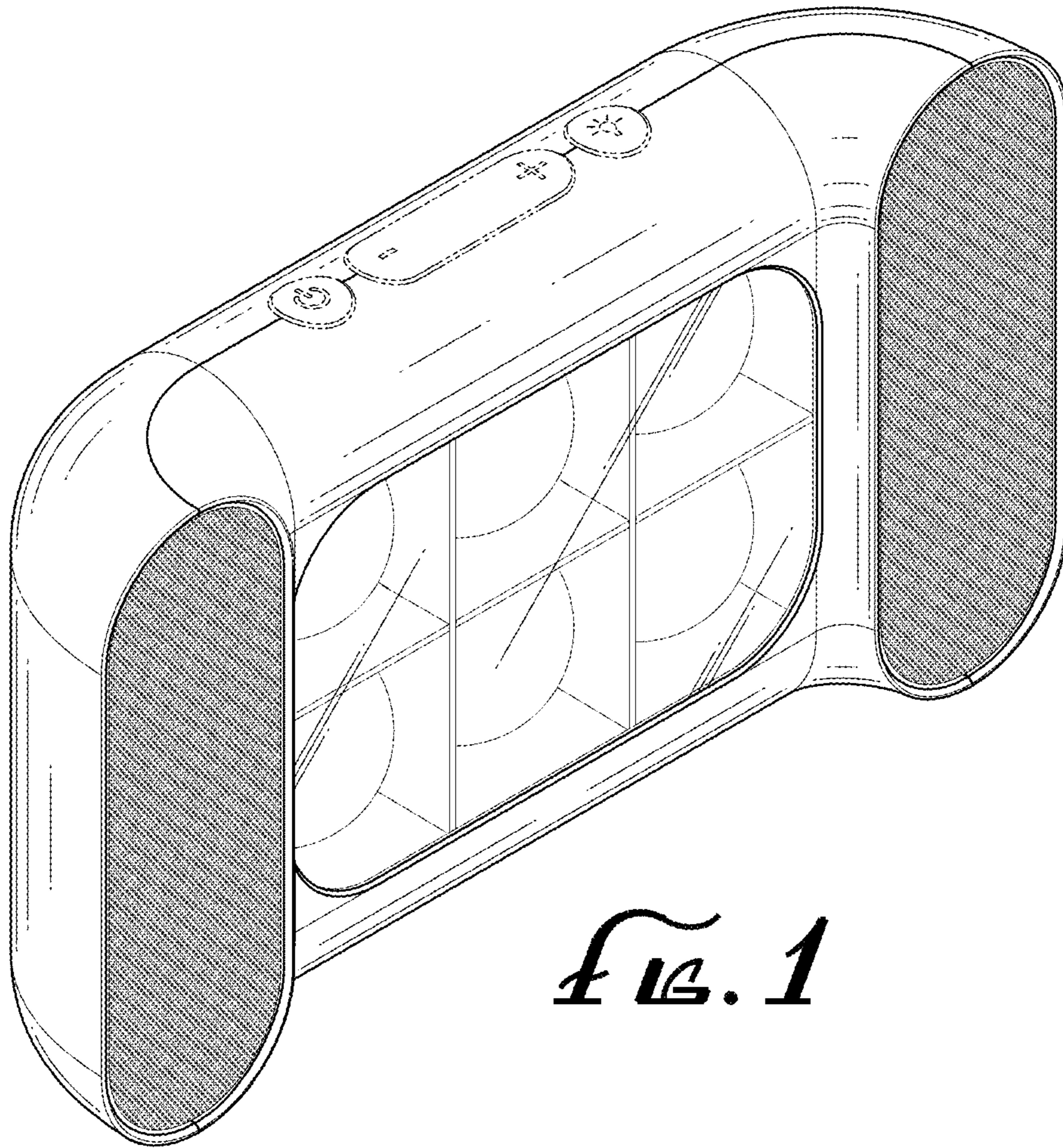
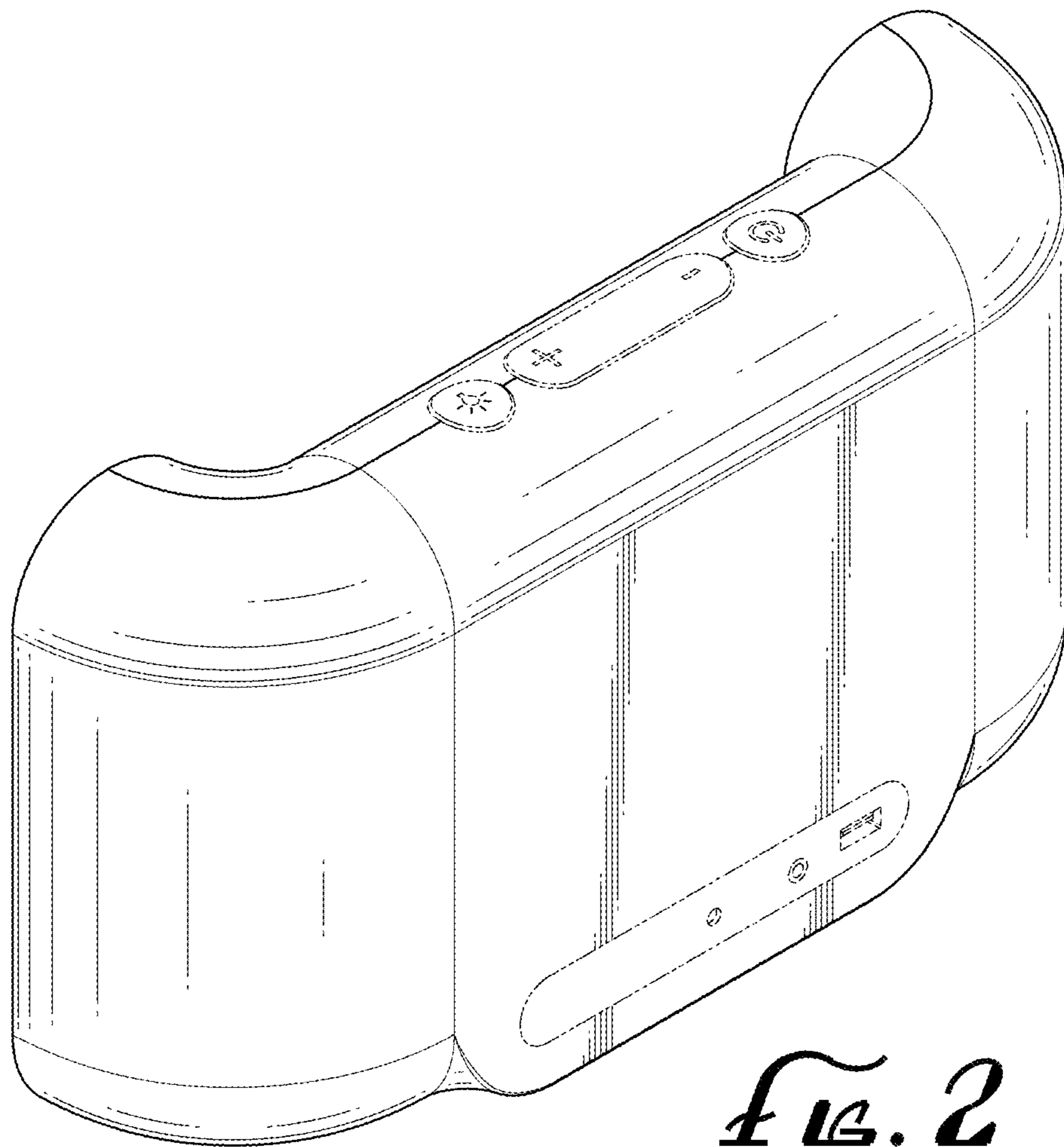


FIG. 1



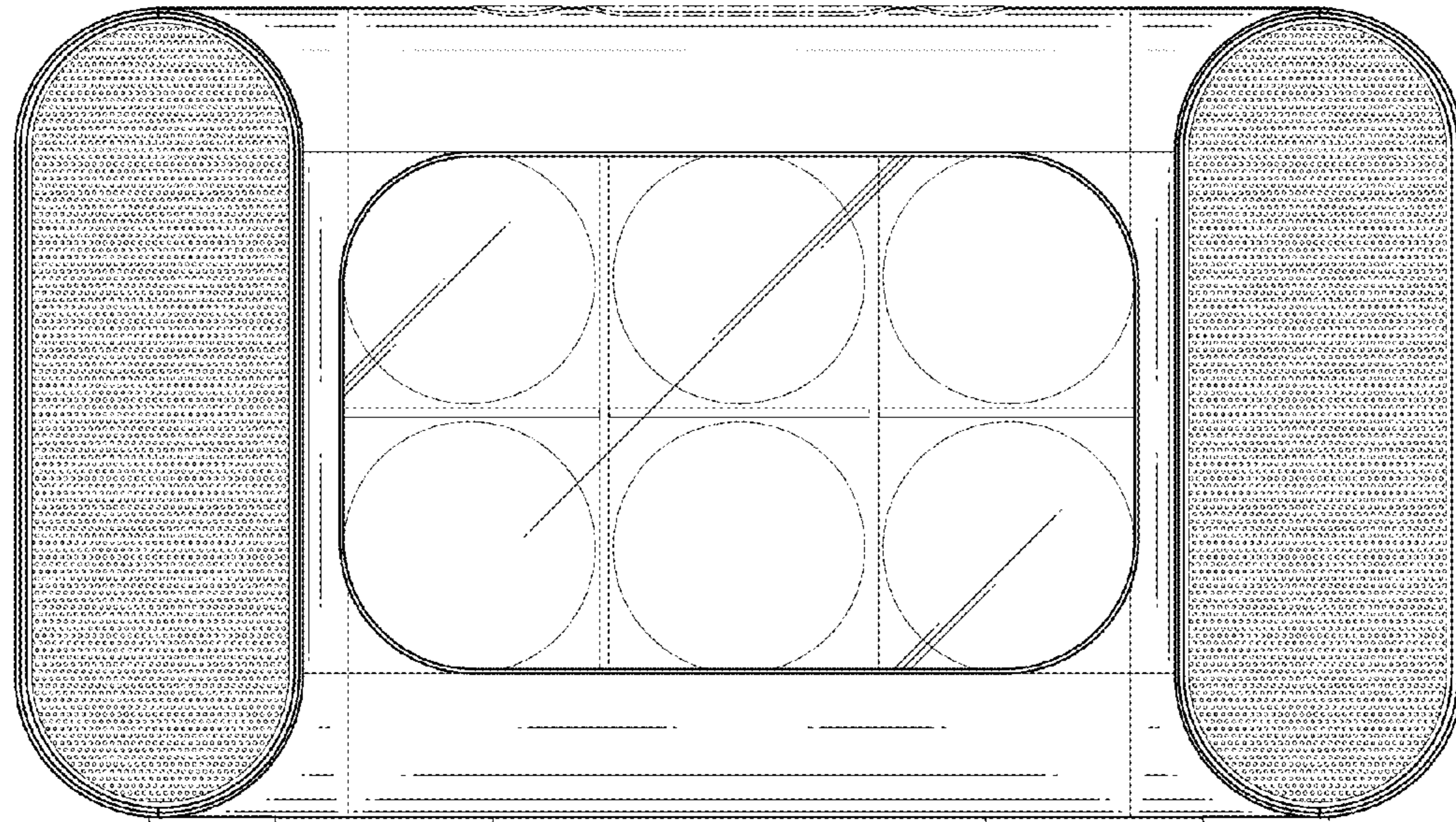


FIG. 3

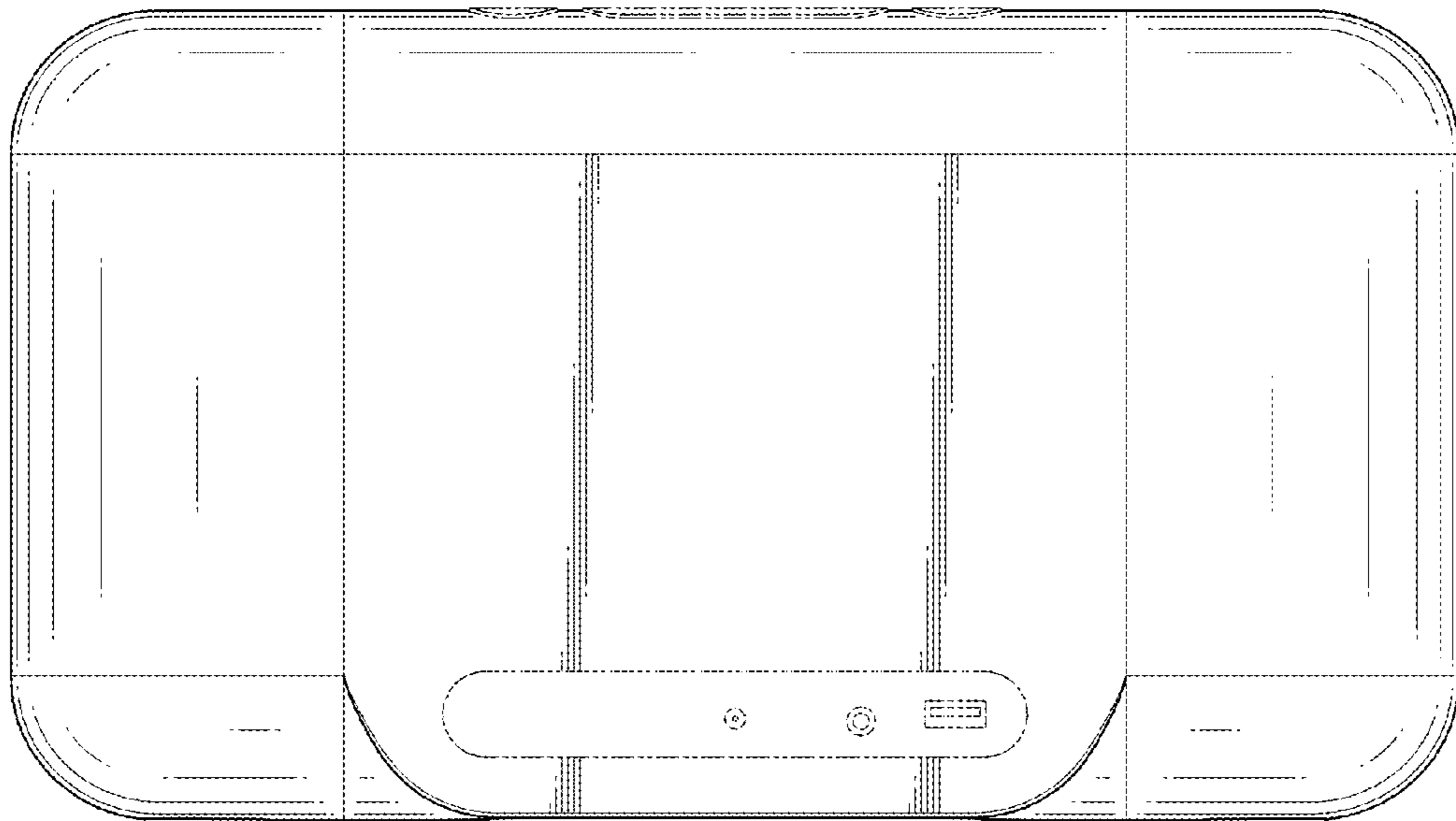


FIG. 4

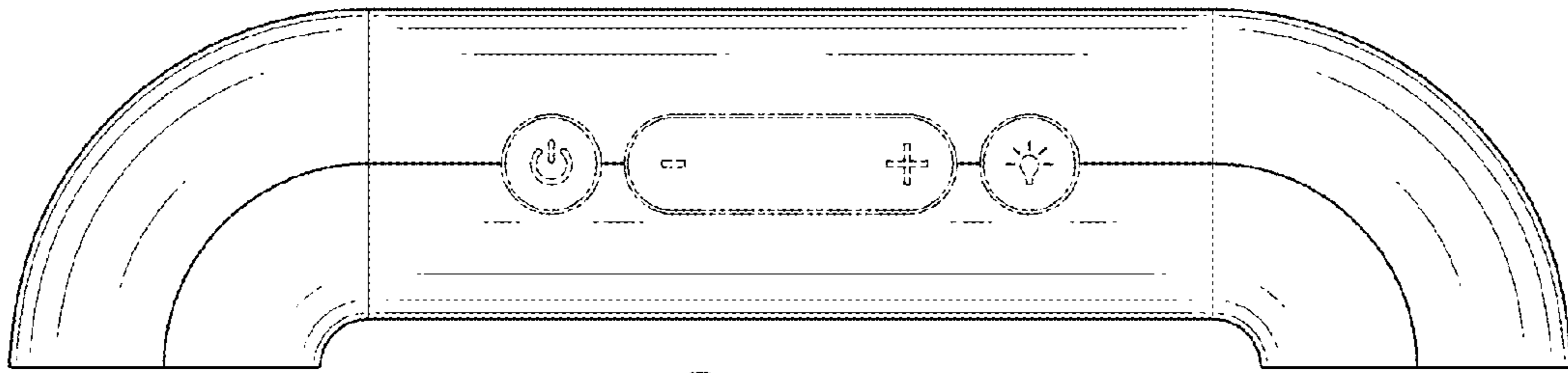


FIG. 5

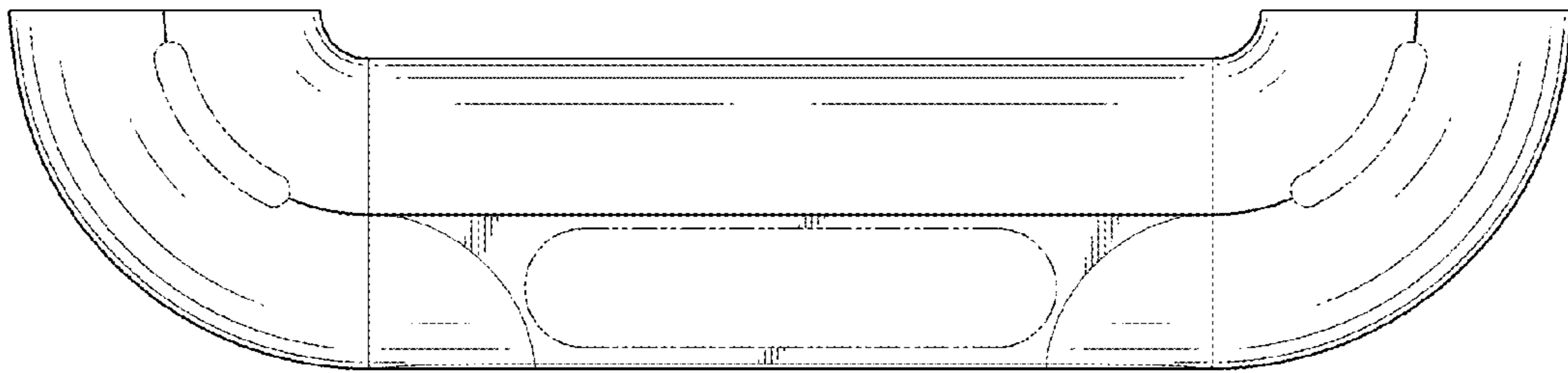


FIG. 6

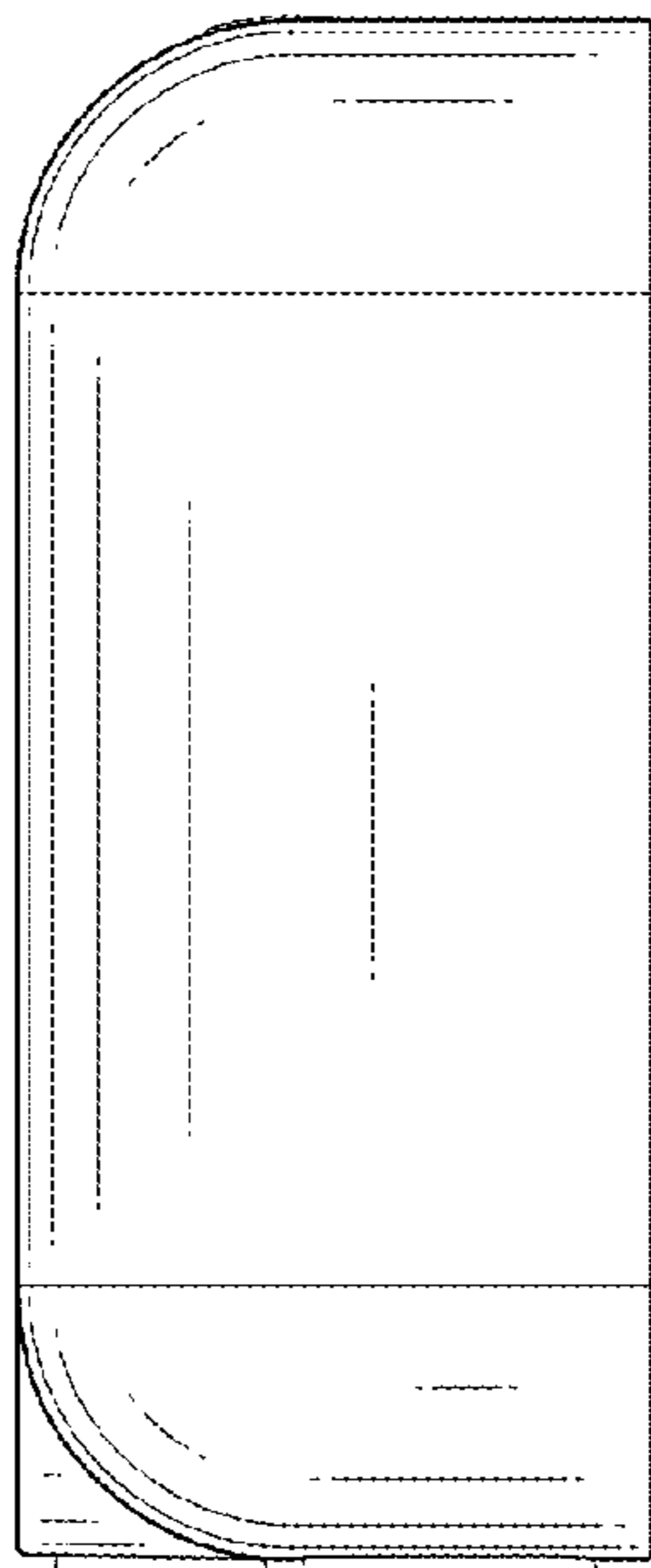


FIG. 7

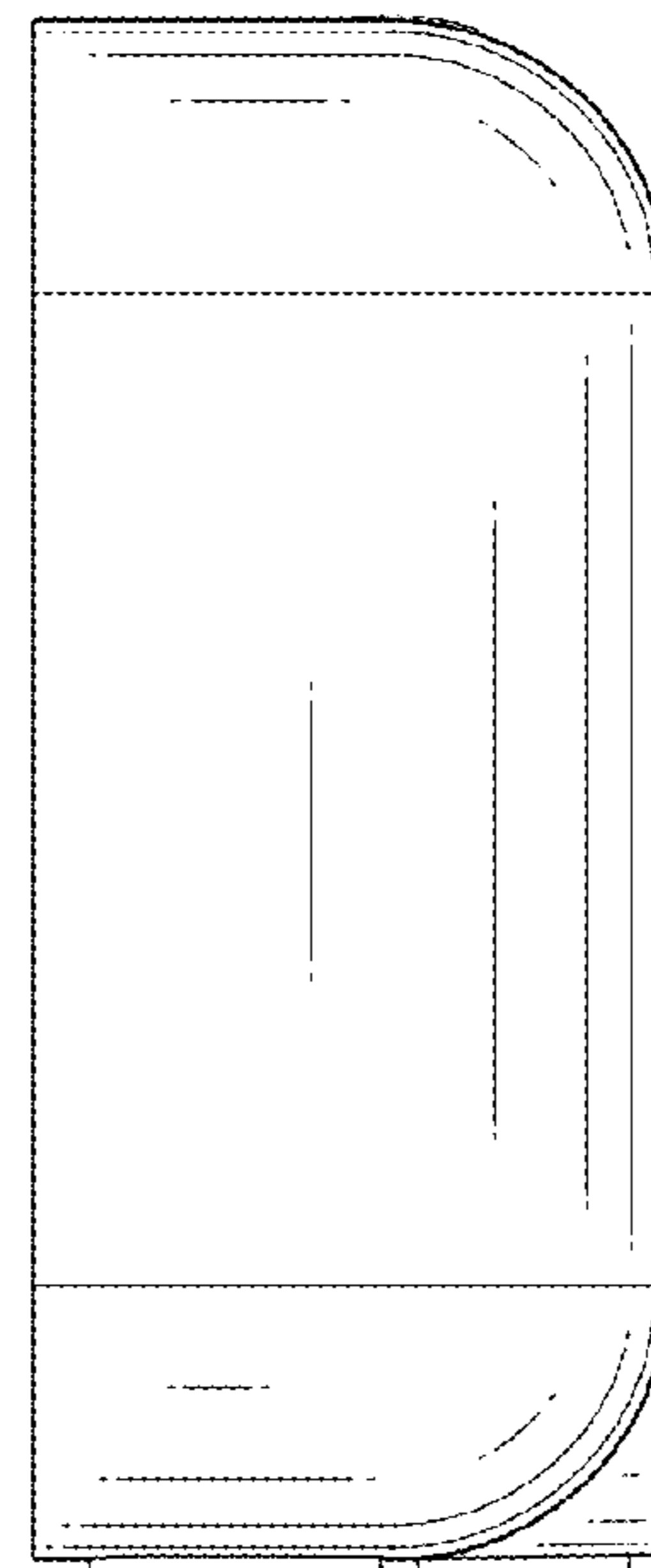


FIG. 8