

US00D691115S

(12) **United States Design Patent**
Silvera

(10) **Patent No.:** **US D691,115 S**

(45) **Date of Patent:** **** Oct. 8, 2013**

(54) **RECHARGEABLE BLUETOOTH MINI SPEAKER**

(75) Inventor: **Isaac Silvera**, Brooklyn, NY (US)

(73) Assignee: **SDI Technologies, Inc.**, Rahway, NJ (US)

(**) Term: **14 Years**

(21) Appl. No.: **29/429,871**

(22) Filed: **Aug. 17, 2012**

(51) **LOC (9) Cl.** **14-03**

(52) **U.S. Cl.**
USPC **D14/215; D14/212**

(58) **Field of Classification Search**
USPC D14/168, 172, 185, 188, 194, 195,
D14/204–216, 221, 222, 496; 181/143, 144,
181/147, 148, 150, 153, 157, 198, 199;
381/300–303, 306, 332, 333, 336, 345, 361–364,
381/386–388

See application file for complete search history.

(56) **References Cited**

U.S. PATENT DOCUMENTS

D230,194 S *	1/1974	Buckler	D14/197
D449,036 S *	10/2001	Weikel et al.	D14/215
D525,236 S *	7/2006	Hibi	D14/221
D529,018 S *	9/2006	Rozier	D14/168
D531,617 S *	11/2006	Rozier	D14/215
D570,828 S *	6/2008	Cho	D14/215
D587,239 S *	2/2009	Raisanen et al.	D14/188

D590,373 S *	4/2009	Brickstad	D14/215
D591,725 S *	5/2009	Komiyama	D14/215
D593,541 S *	6/2009	Muraoka et al.	D14/215
7,599,175 B1 *	10/2009	Ong et al.	361/679.34
D624,048 S *	9/2010	Kim	D14/215
D639,779 S *	6/2011	Chen	D14/216
D664,122 S *	7/2012	Cho et al.	D14/215
D682,248 S *	5/2013	Esslinger et al.	D14/172

* cited by examiner

Primary Examiner — Keli L Hill

(74) *Attorney, Agent, or Firm* — Ostrolenk Faber LLP

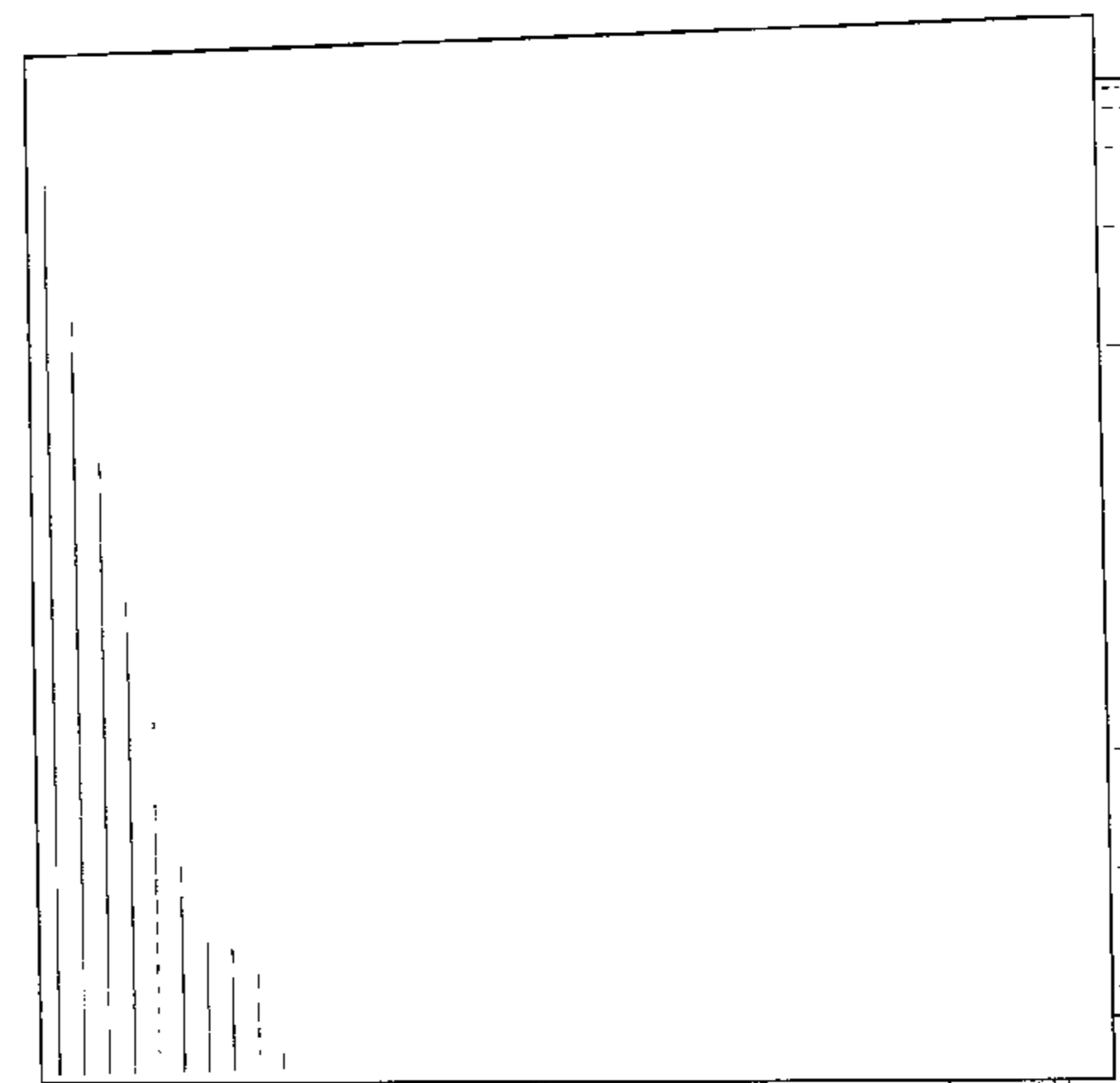
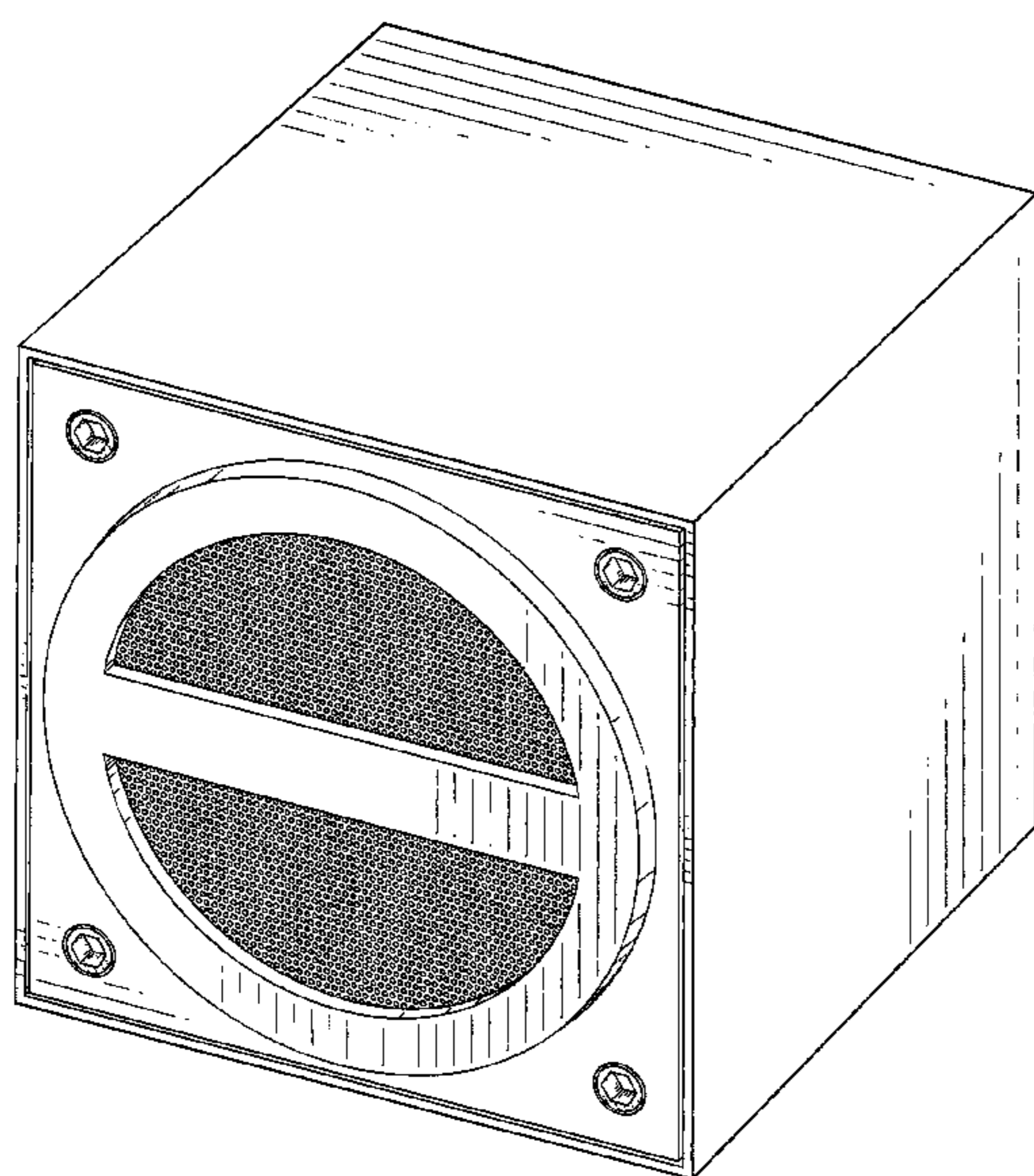
(57) **CLAIM**

The ornamental design for rechargeable bluetooth mini speaker, as shown and described.

DESCRIPTION

FIG. 1 is a front, perspective view of a rechargeable bluetooth mini speaker showing my new design;
 FIG. 2 is front view thereof;
 FIG. 3 is a rear view thereof;
 FIG. 4 is a top view thereof;
 FIG. 5 is a bottom view thereof;
 FIG. 6 is a side view thereof, the opposite side view being a mirror image;
 FIG. 7 is a cross-sectional view taken along line 7-7 in FIG. 2;
 and,
 FIG. 8 is a cross-sectional view taken along line 8-8 in FIG. 2.
 The broken lines in the drawings illustrate environmental material that forms no part of the claimed design.

1 Claim, 8 Drawing Sheets



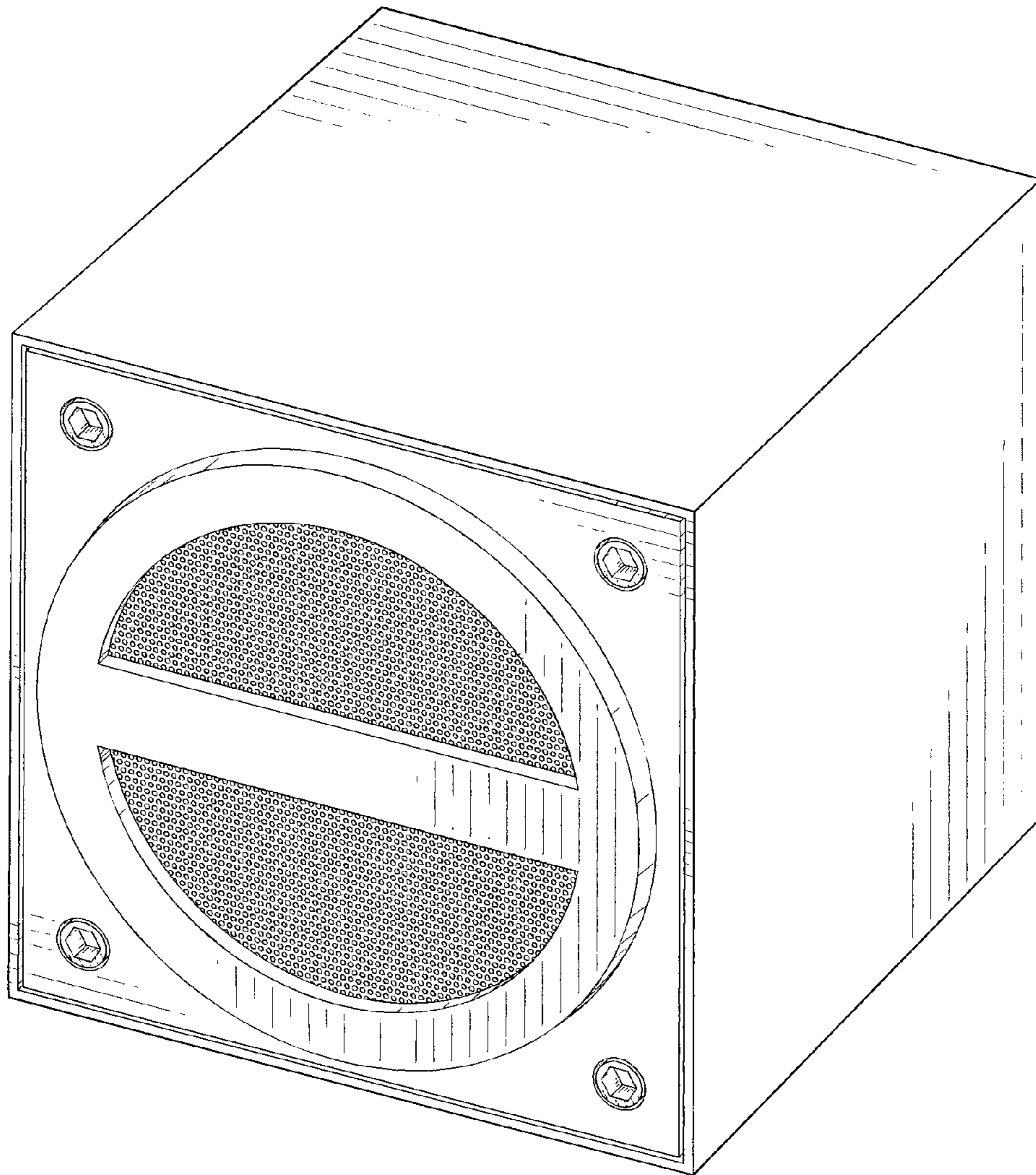


FIG. 1

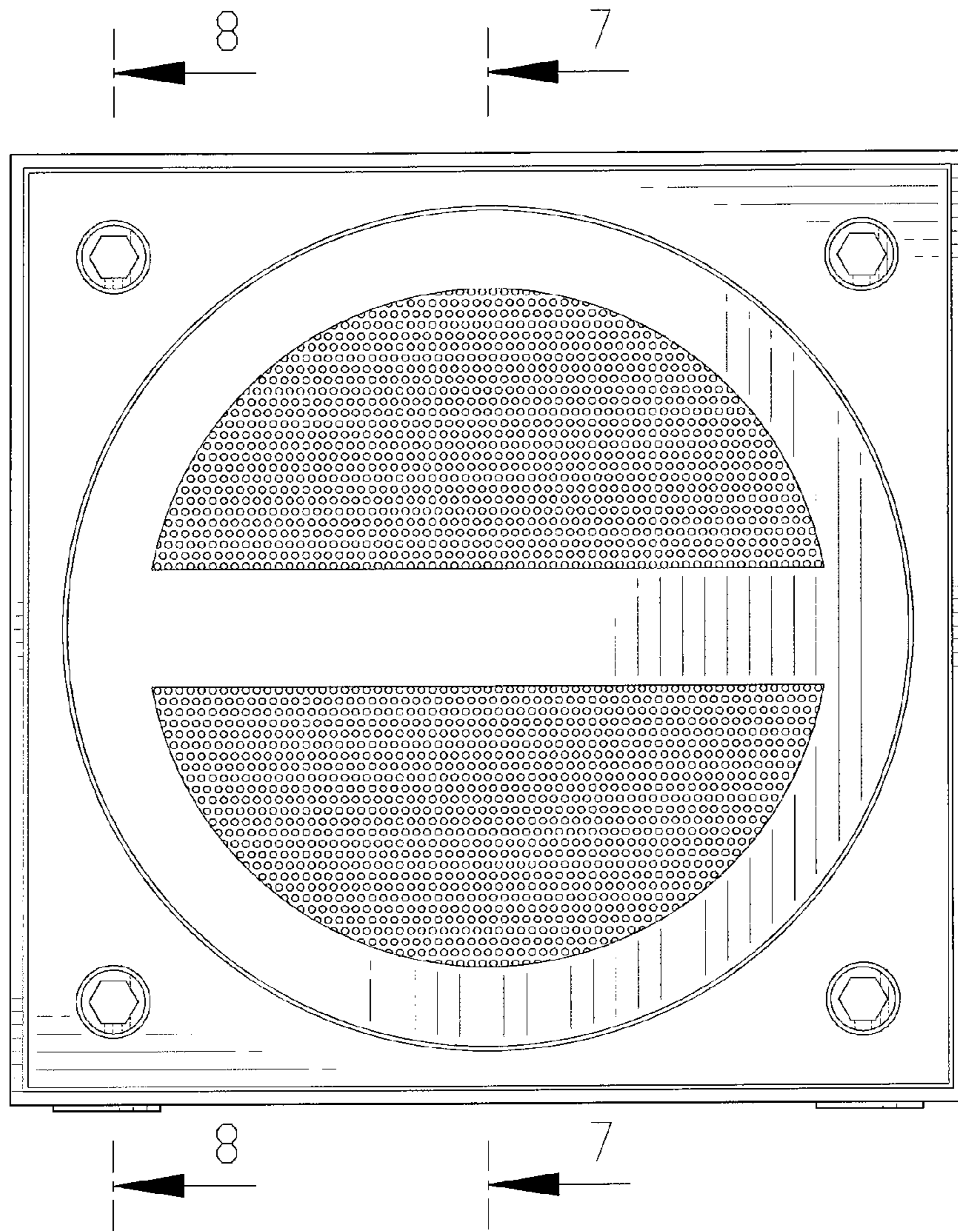


FIG. 2

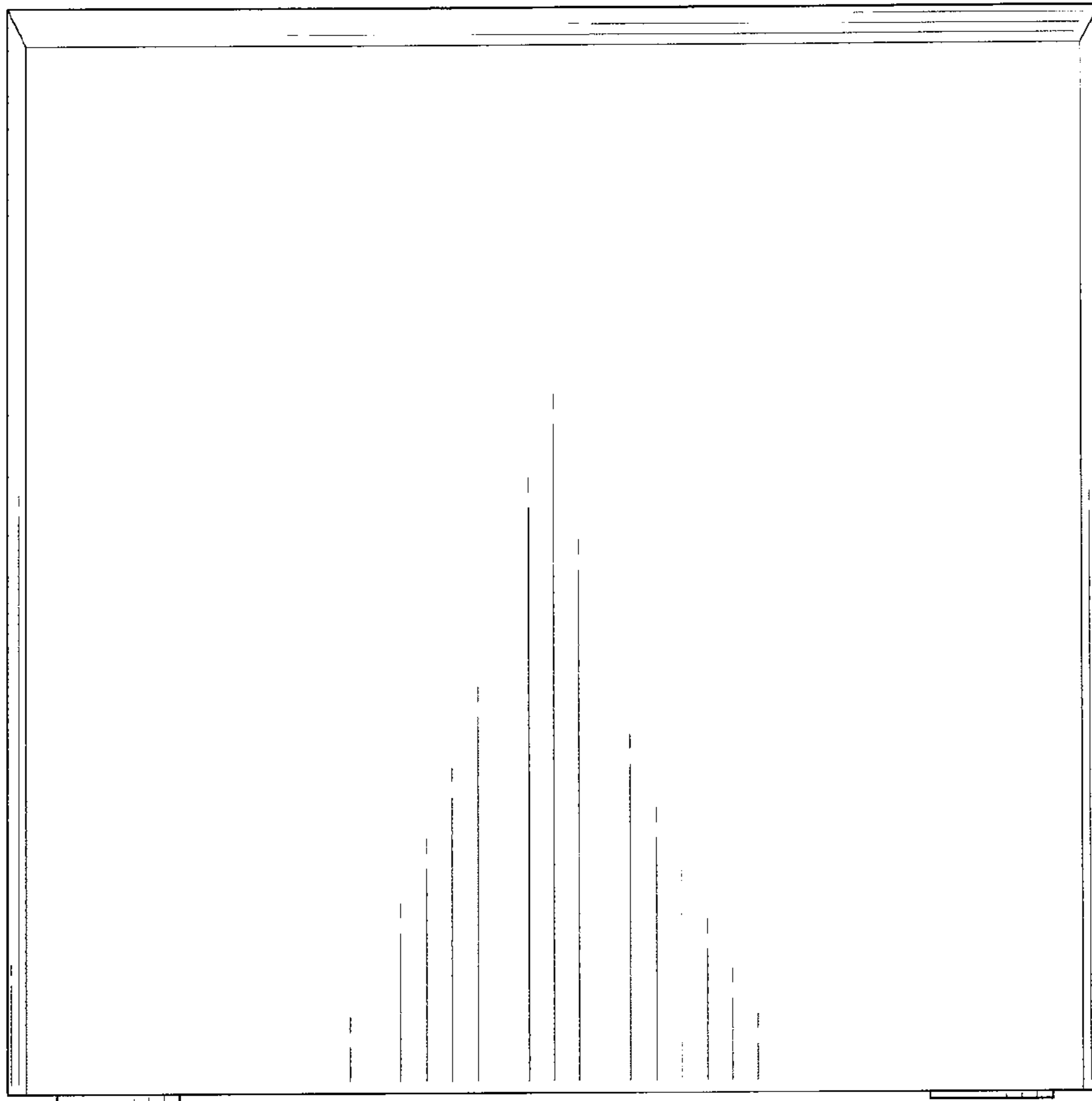


FIG. 3

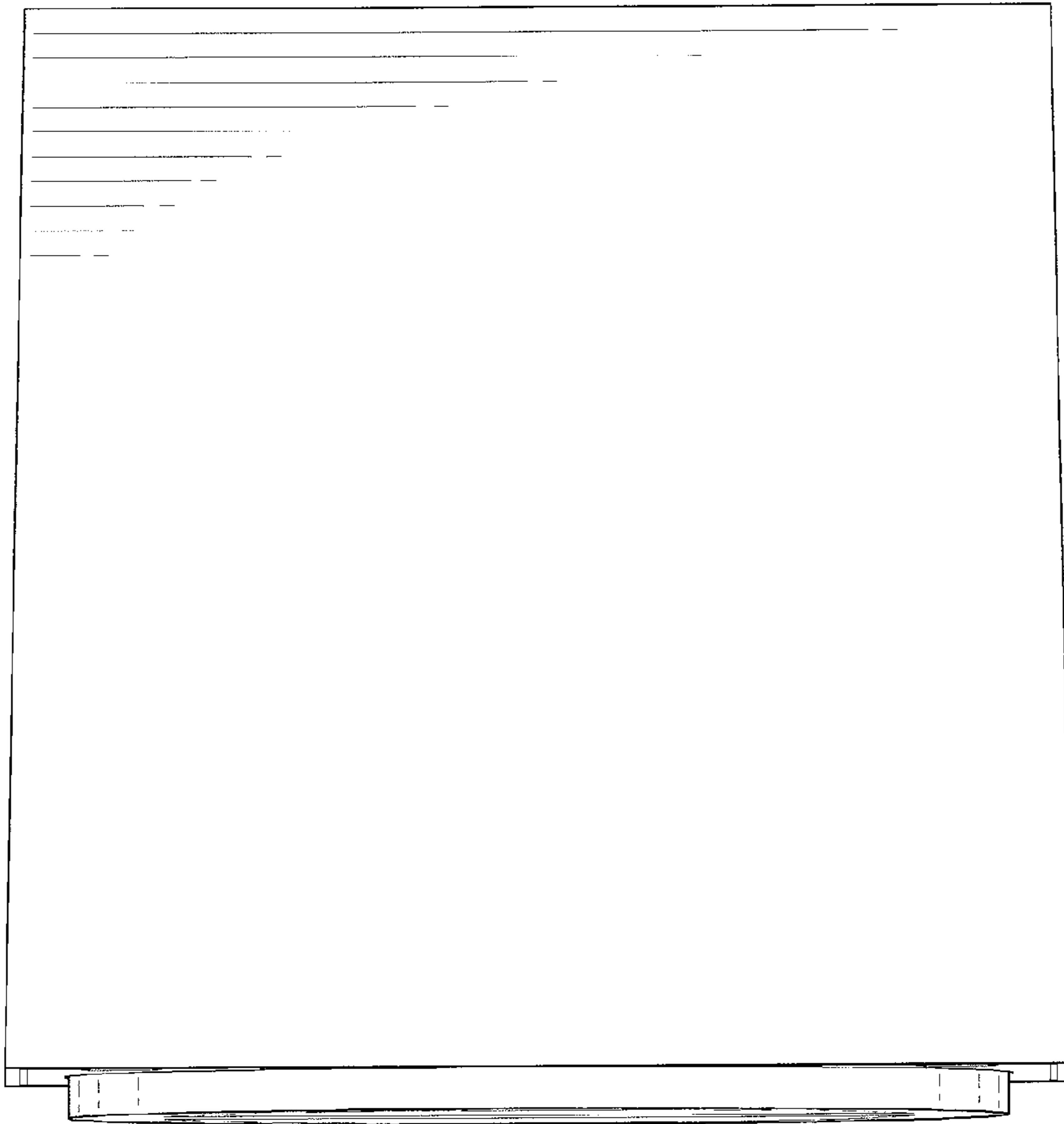


FIG. 4

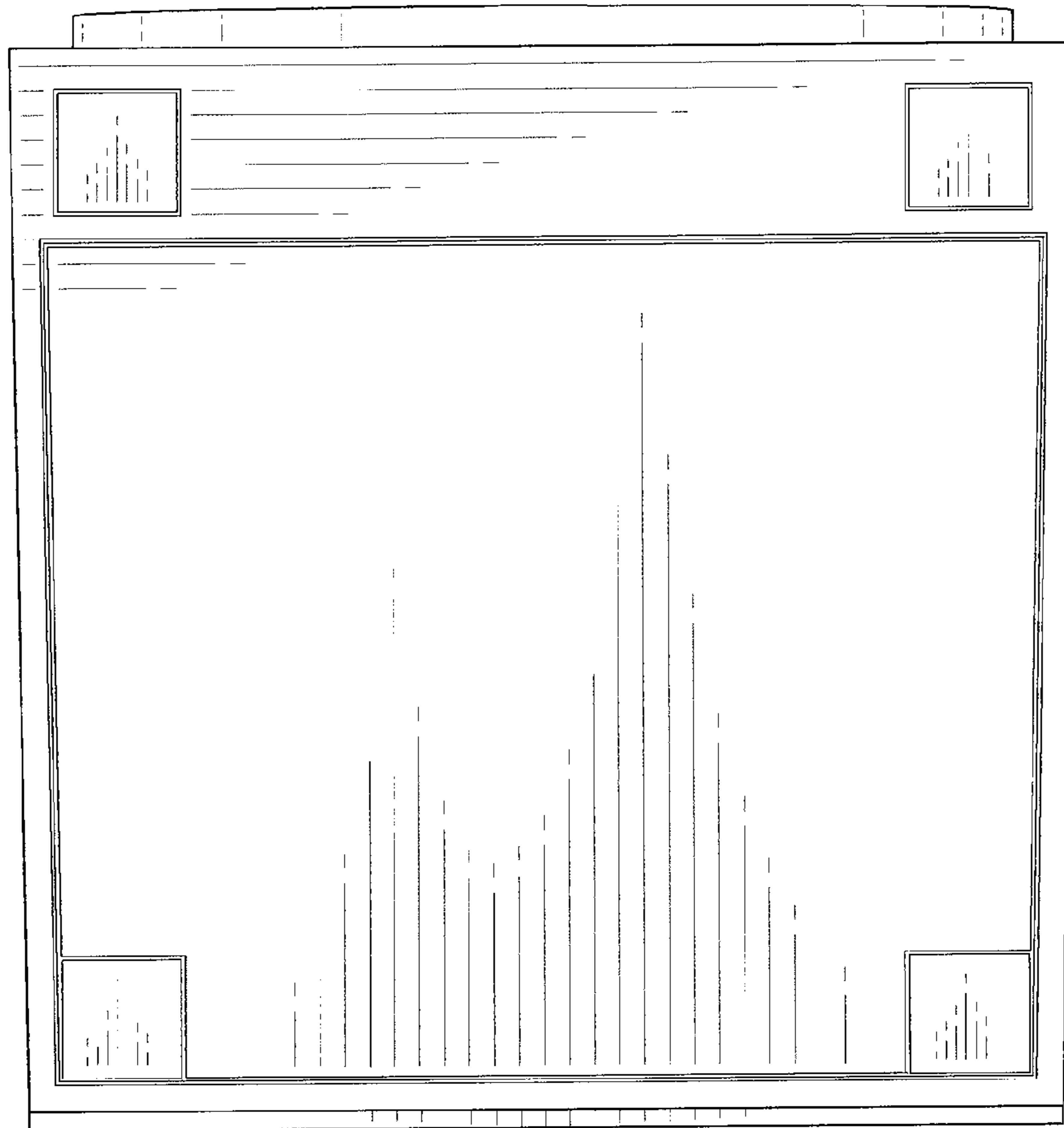


FIG. 5

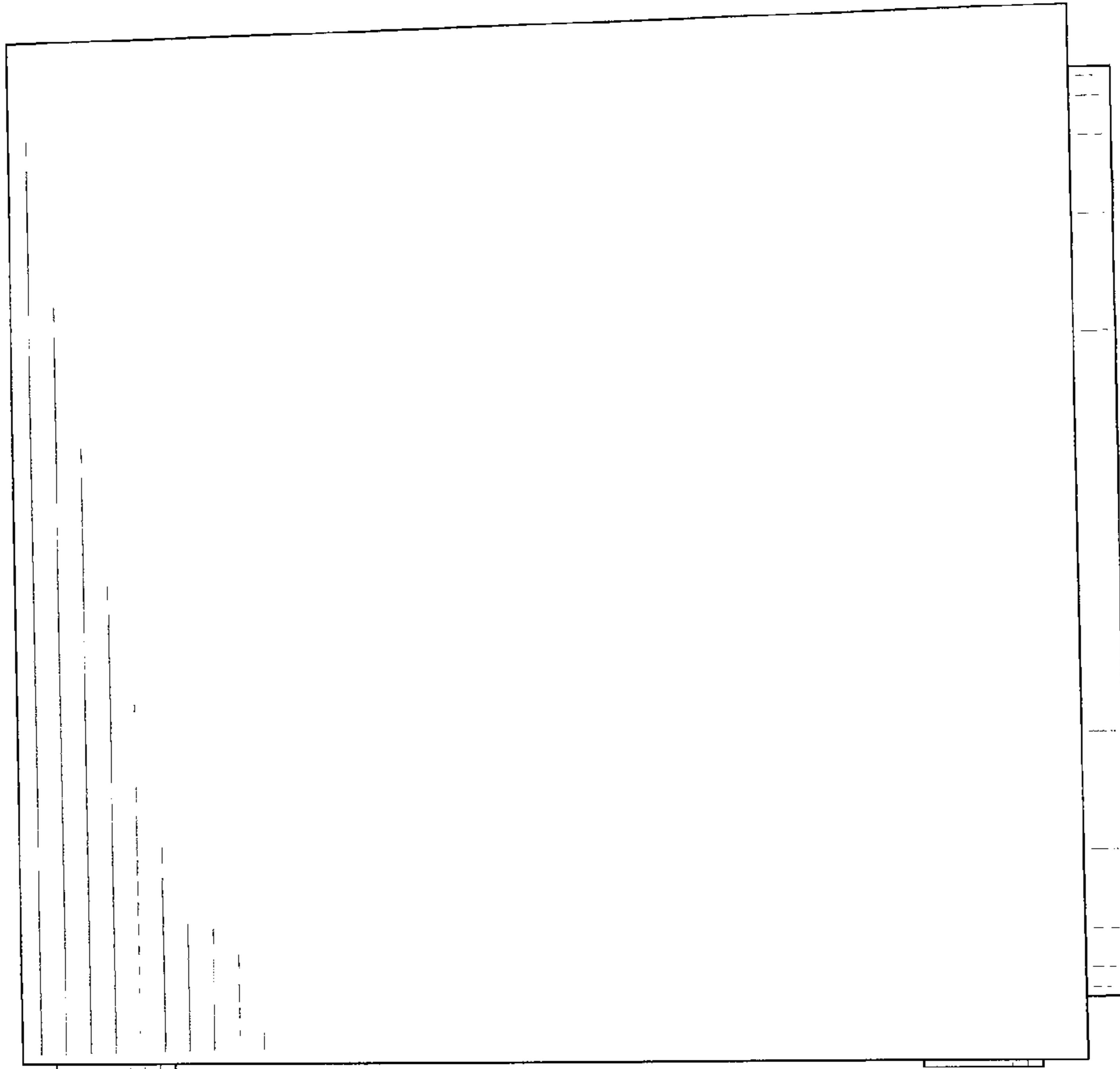


FIG. 6

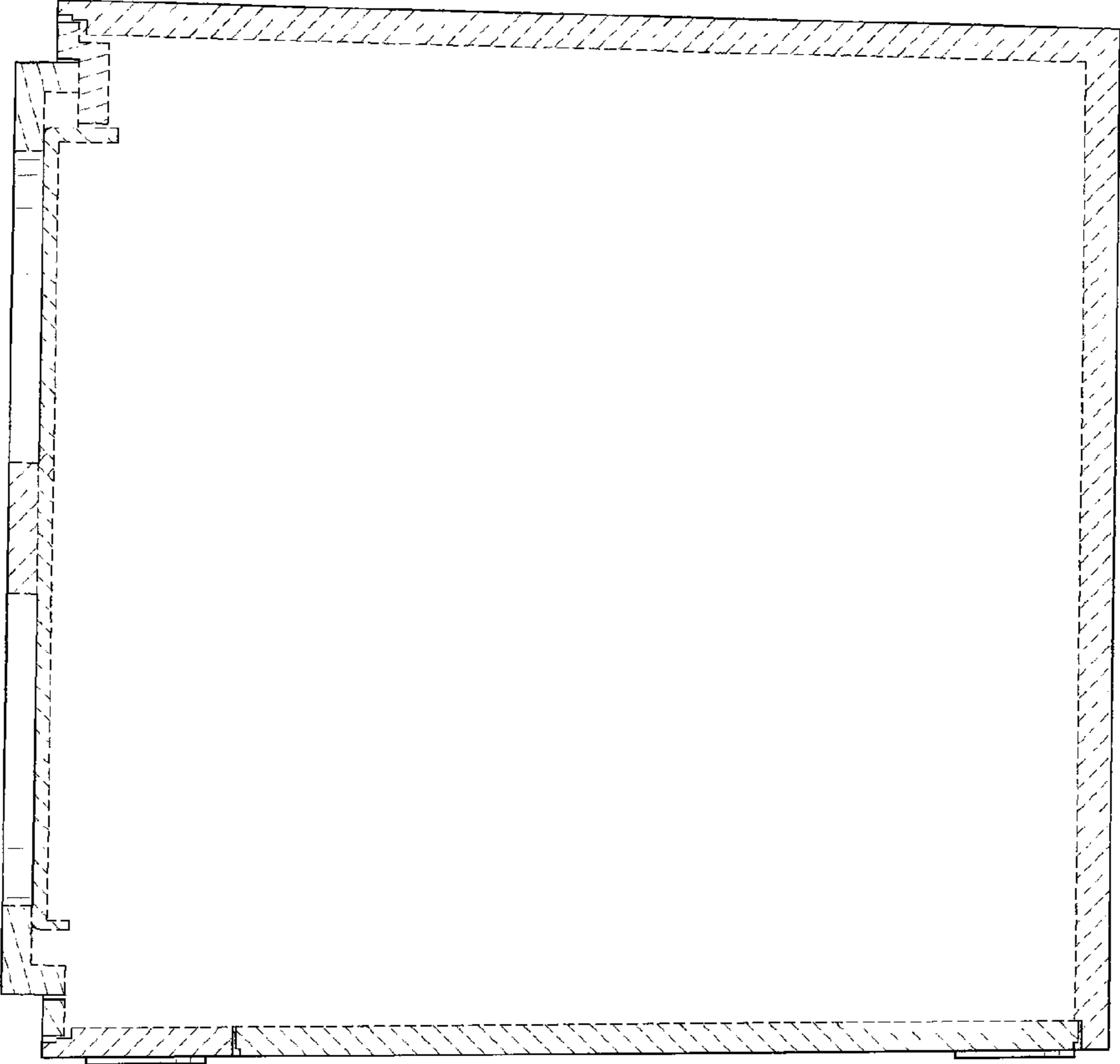


FIG. 7

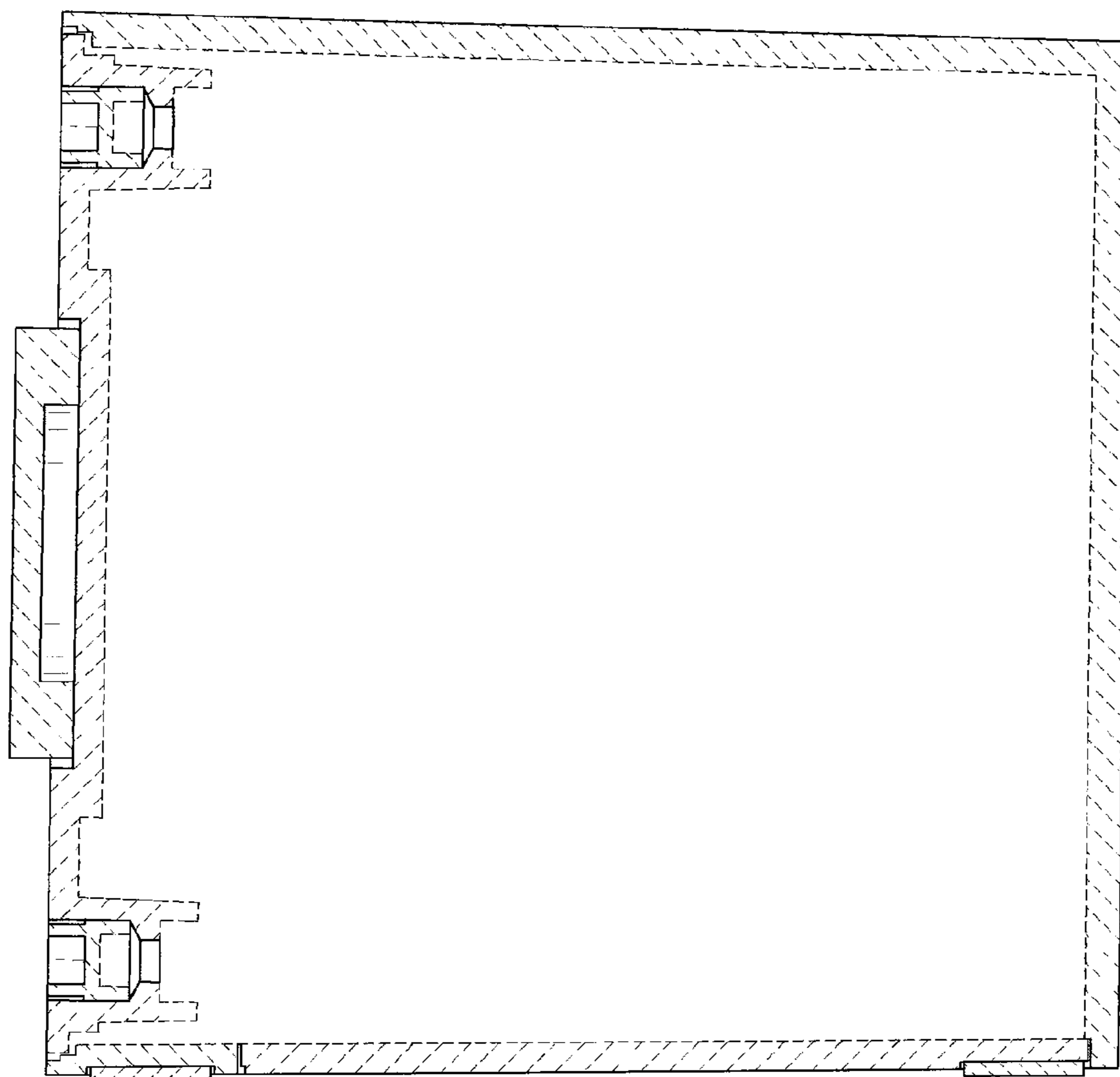


FIG. 8