



US00D691114S

(12) **United States Design Patent**
Manz

(10) **Patent No.:** **US D691,114 S**

(45) **Date of Patent:** **** Oct. 8, 2013**

(54) **LOUDSPEAKER**

(75) Inventor: **Cecilie Manz**, Kobenhavn K (DK)

(73) Assignee: **Aktieselskabet AF 18. Juli 2011**, Struer (DK)

(**) Term: **14 Years**

(21) Appl. No.: **29/415,344**

(22) Filed: **Mar. 9, 2012**

(30) **Foreign Application Priority Data**

Sep. 9, 2011 (EP) 001915224-0001

(51) **LOC (9) Cl.** **14-01**

(52) **U.S. Cl.**
USPC **D14/207**

(58) **Field of Classification Search**
USPC . D14/204, 207, 209-216, 168; D3/272-274,
D3/281, 291-294; 181/141-148, 150, 157,
181/198, 199, 151, 153; 381/300-302, 306,
381/333, 345, 361-164, 386-388, 332, 336
See application file for complete search history.

(56) **References Cited**

U.S. PATENT DOCUMENTS

D243,620 S * 3/1977 Williams D14/221
D269,610 S * 7/1983 Matsubara D14/221

5,046,104 A * 9/1991 Kloss 381/335
5,368,270 A * 11/1994 Wiwczar 248/610
5,444,194 A * 8/1995 Reinke 181/150
D423,013 S * 4/2000 Warner D14/207
6,978,030 B2 * 12/2005 Reich 381/124
D526,308 S * 8/2006 Kasden D14/207
D572,235 S * 7/2008 Imawaki D14/207
D647,503 S * 10/2011 Moore D14/207

* cited by examiner

Primary Examiner — Prabhakar Deshmukh

(74) *Attorney, Agent, or Firm* — Dykema Gossett PLLC

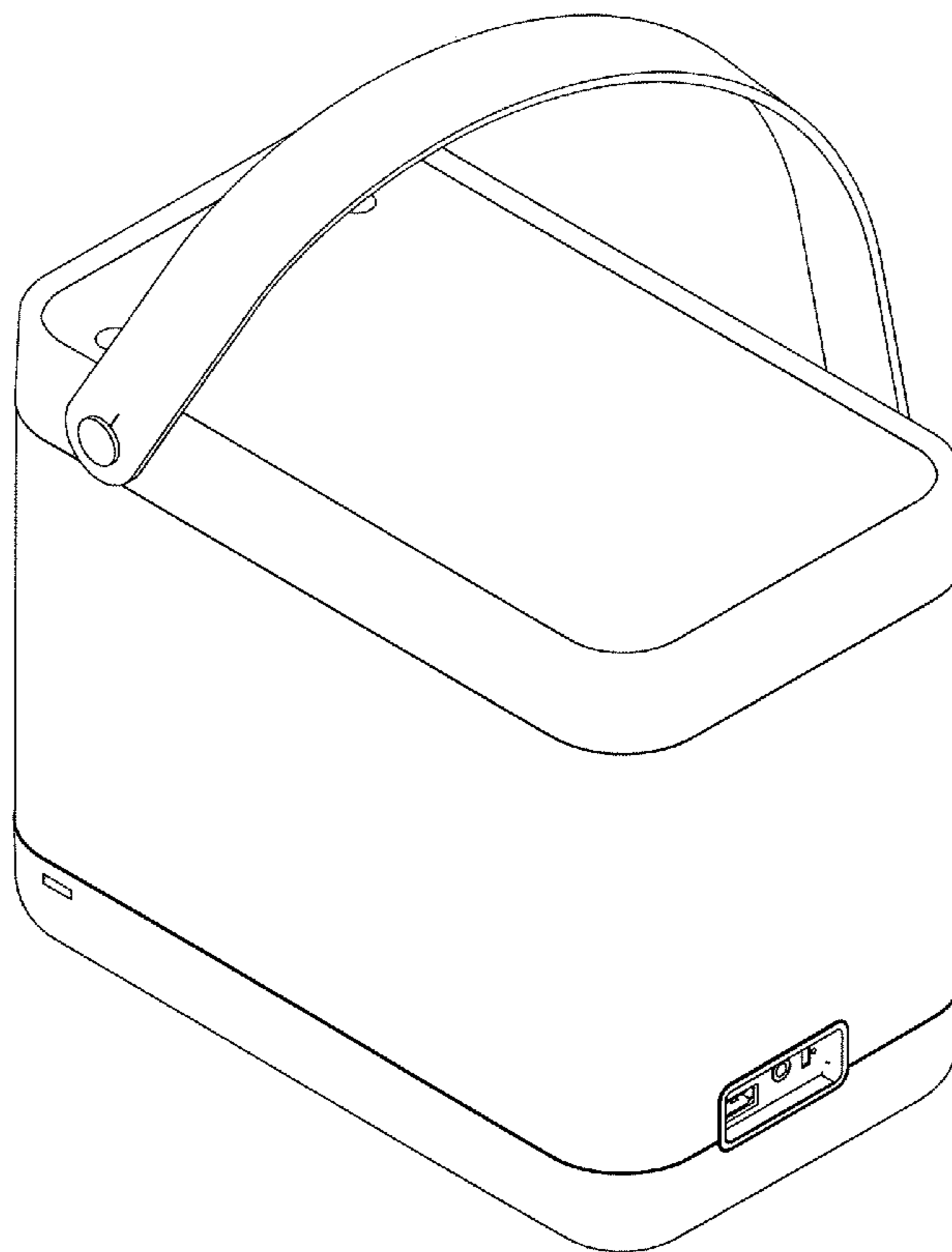
(57) **CLAIM**

The ornamental design for a loudspeaker, as shown.

DESCRIPTION

FIG. 1 is a first perspective view of a loudspeaker showing my new design;
FIG. 2 is a second perspective view thereof;
FIG. 3 is a front elevational view thereof;
FIG. 4 is a rear elevational view thereof;
FIG. 5 is a right side elevational view thereof;
FIG. 6 is a left side elevational view thereof;
FIG. 7 is a top plan view thereof; and,
FIG. 8 is a bottom plan view thereof.
The broken lines depict the disclaimed portion and forms no part of the claimed design.

1 Claim, 8 Drawing Sheets



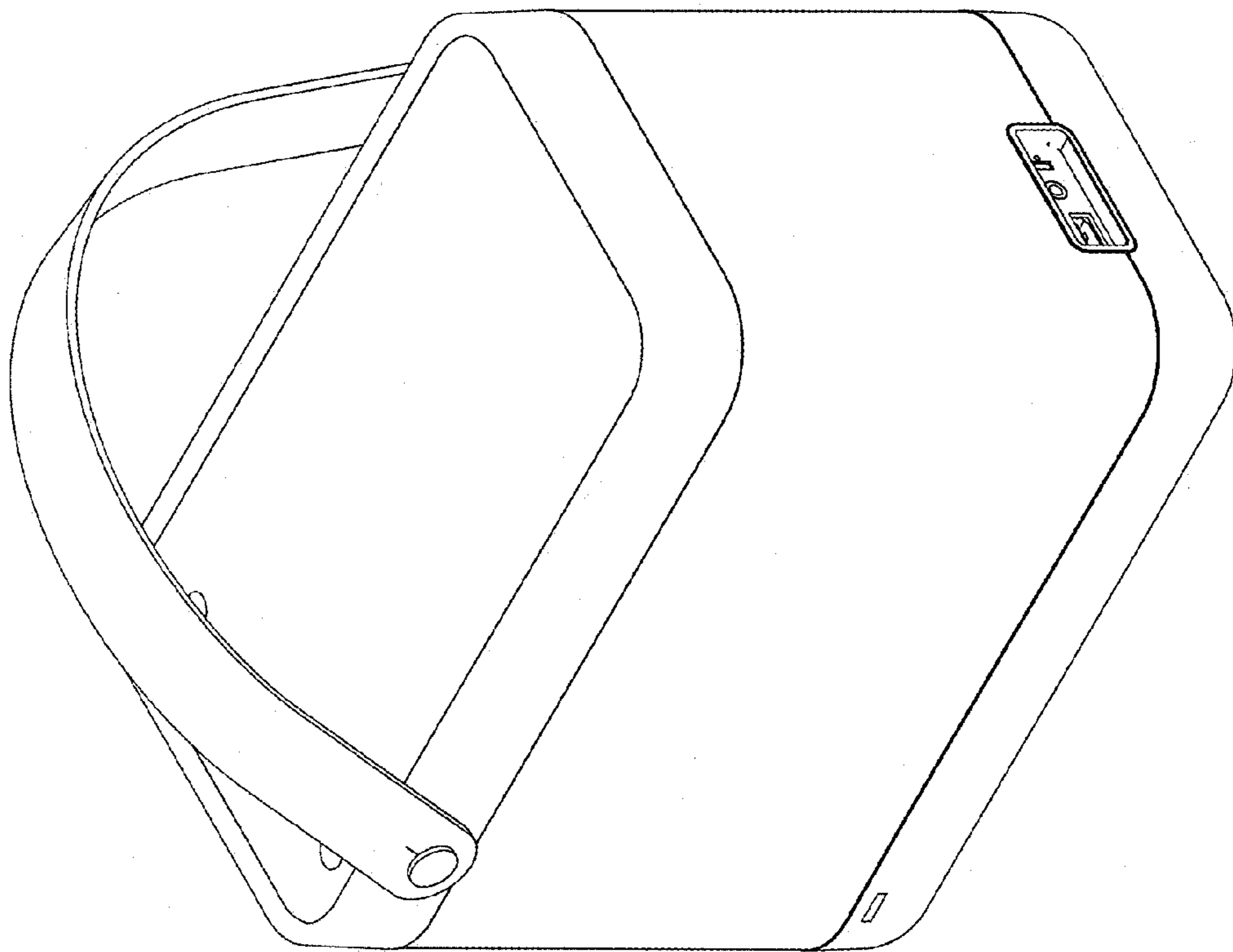


Fig. 1

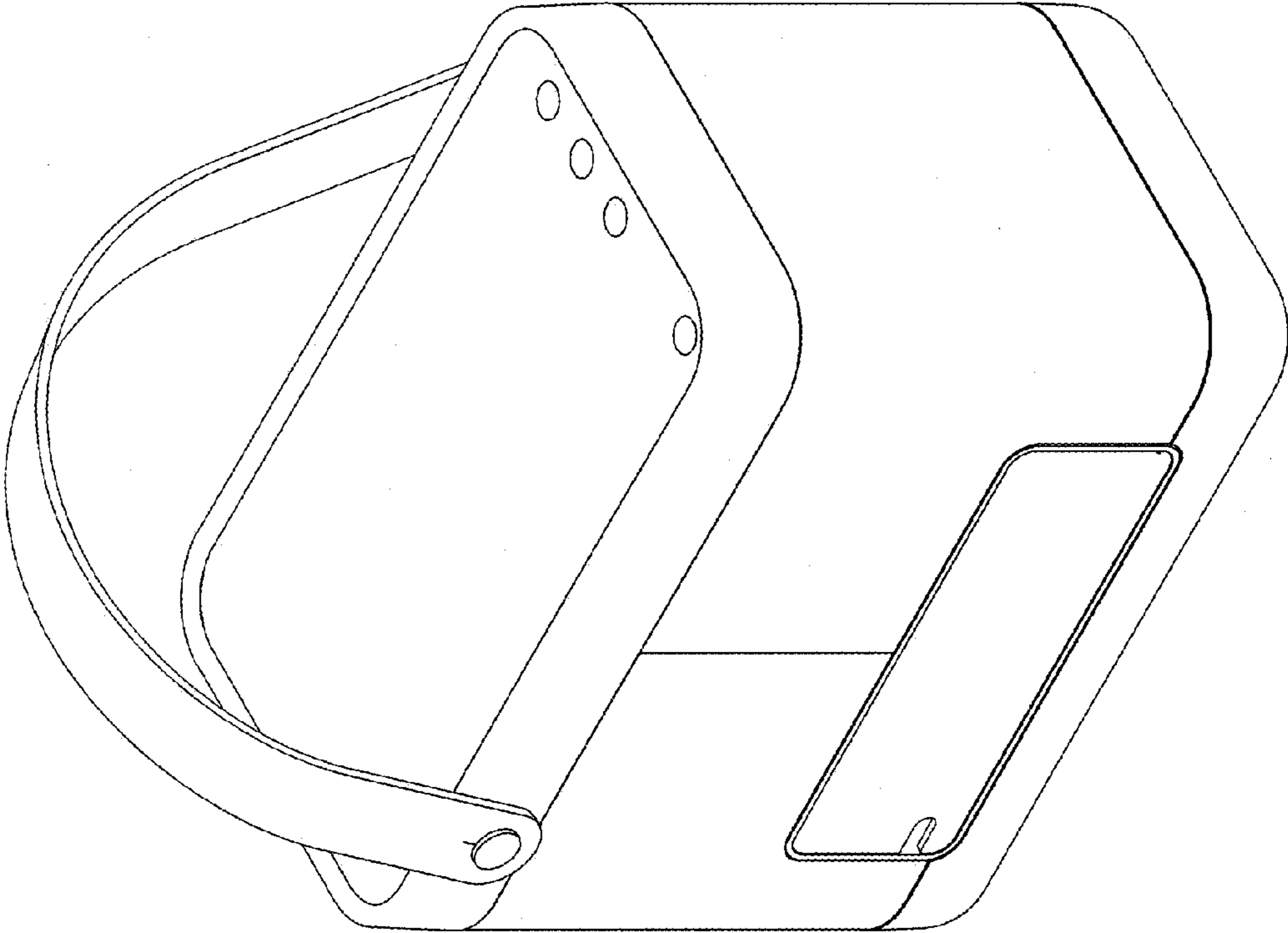


Fig. 2

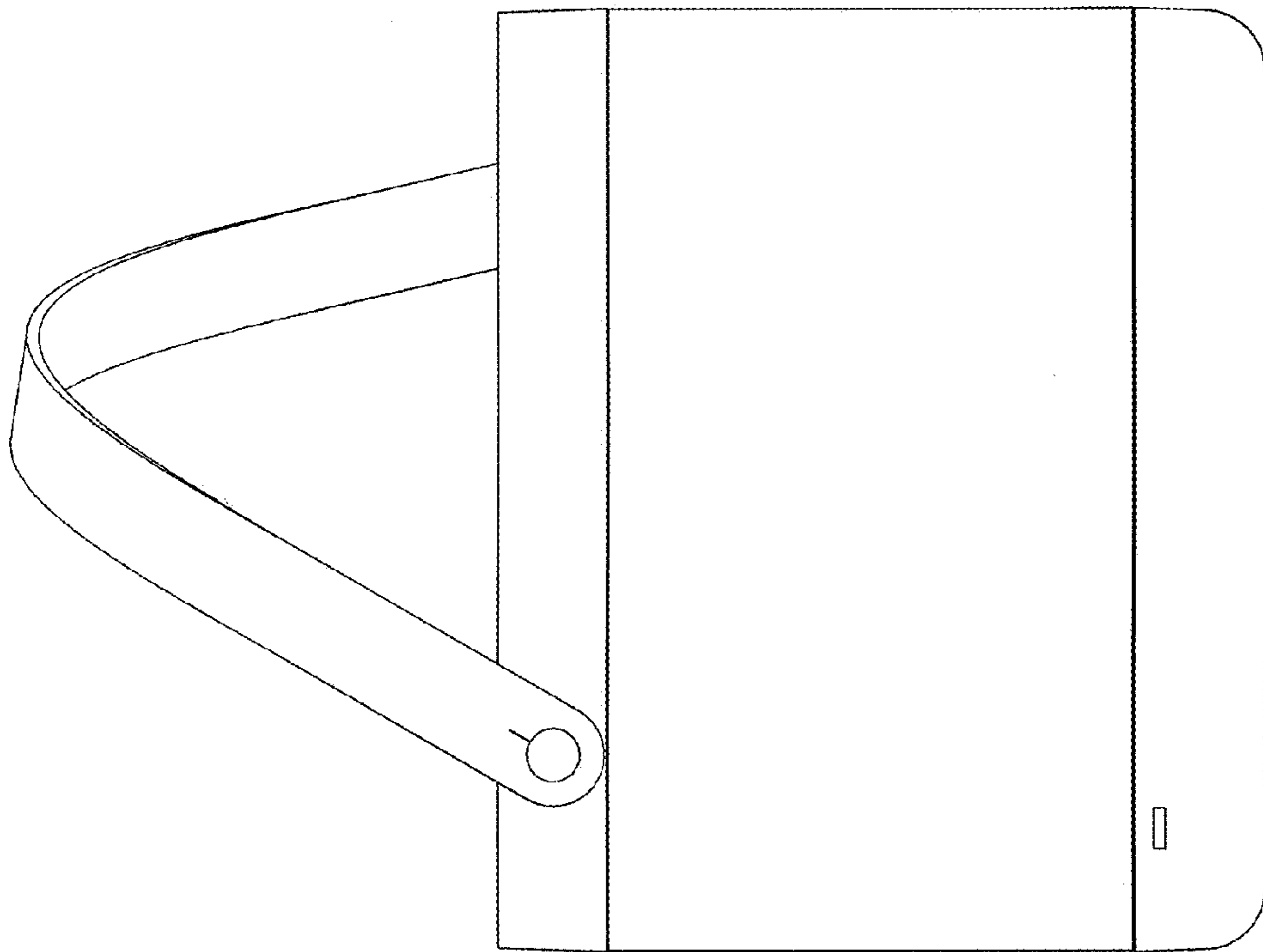


Fig. 3

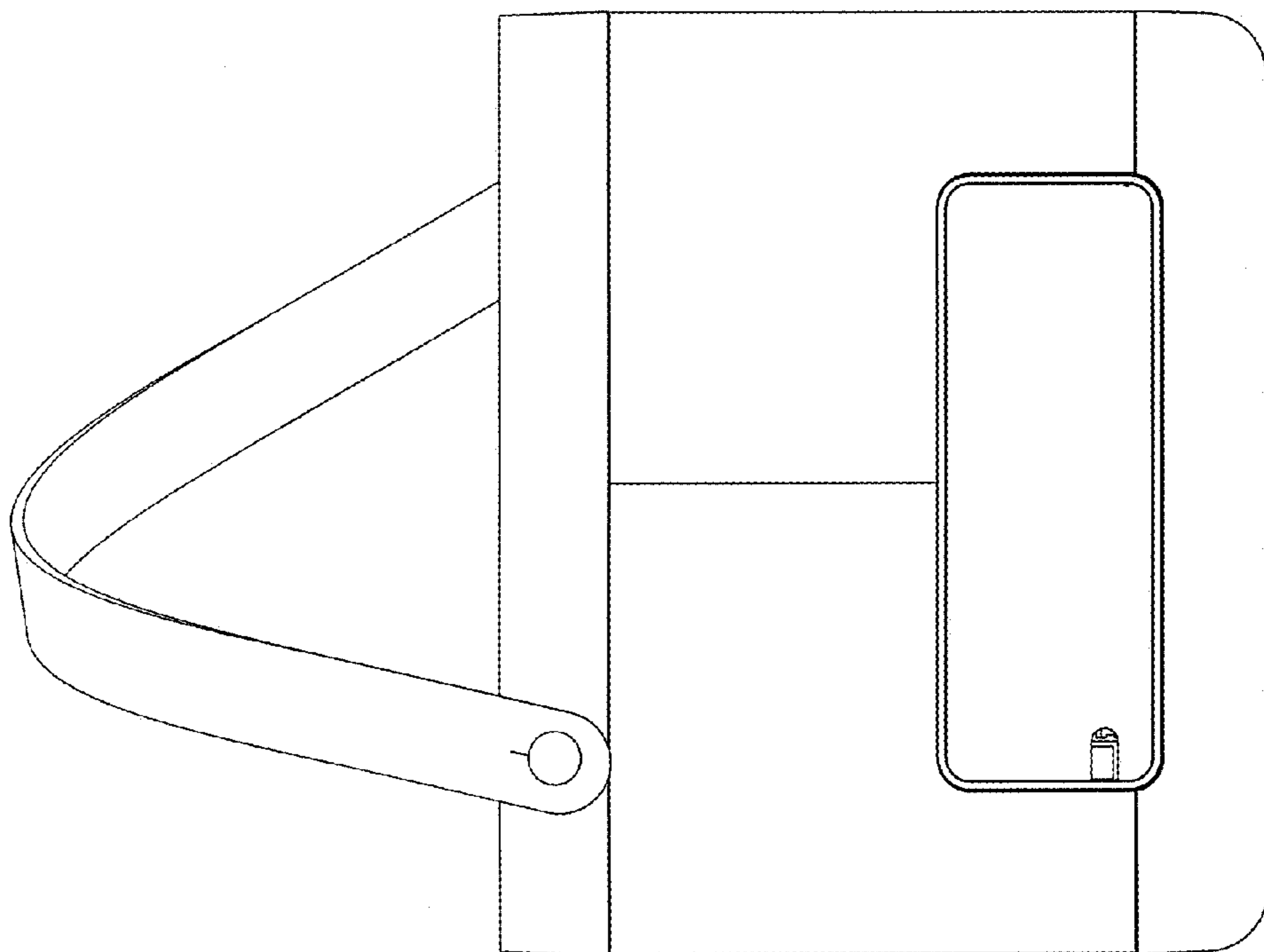


Fig. 4

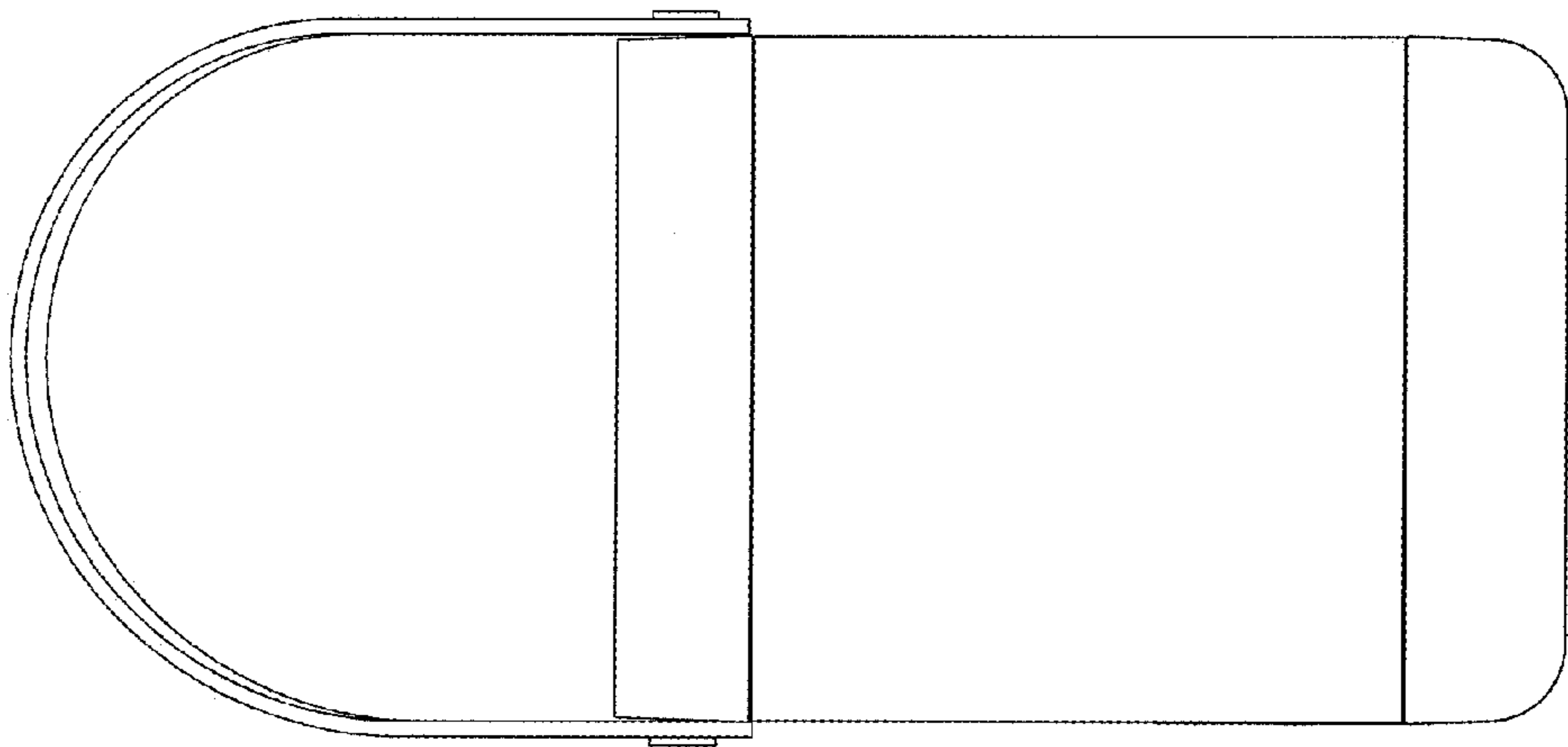


Fig. 5

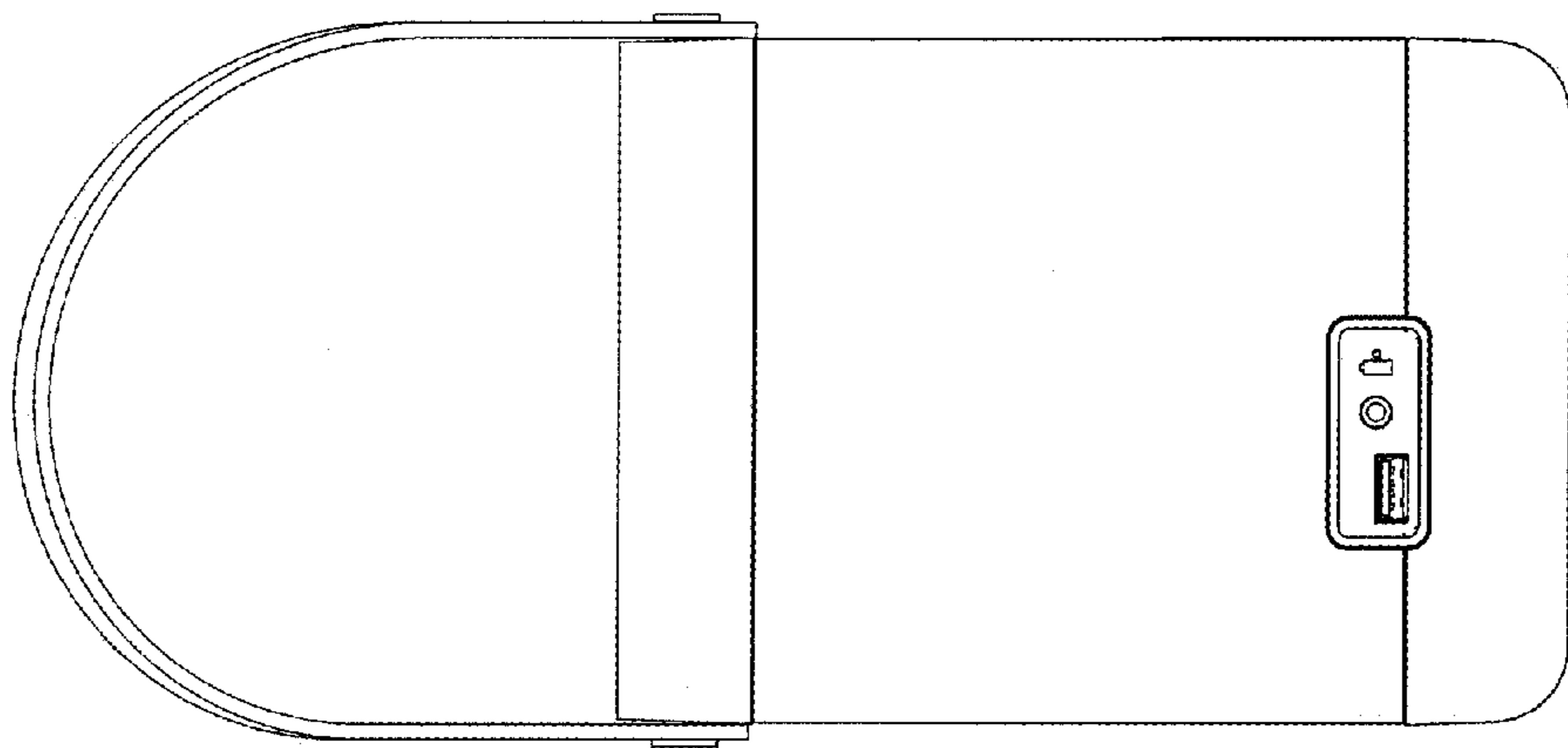


Fig. 6

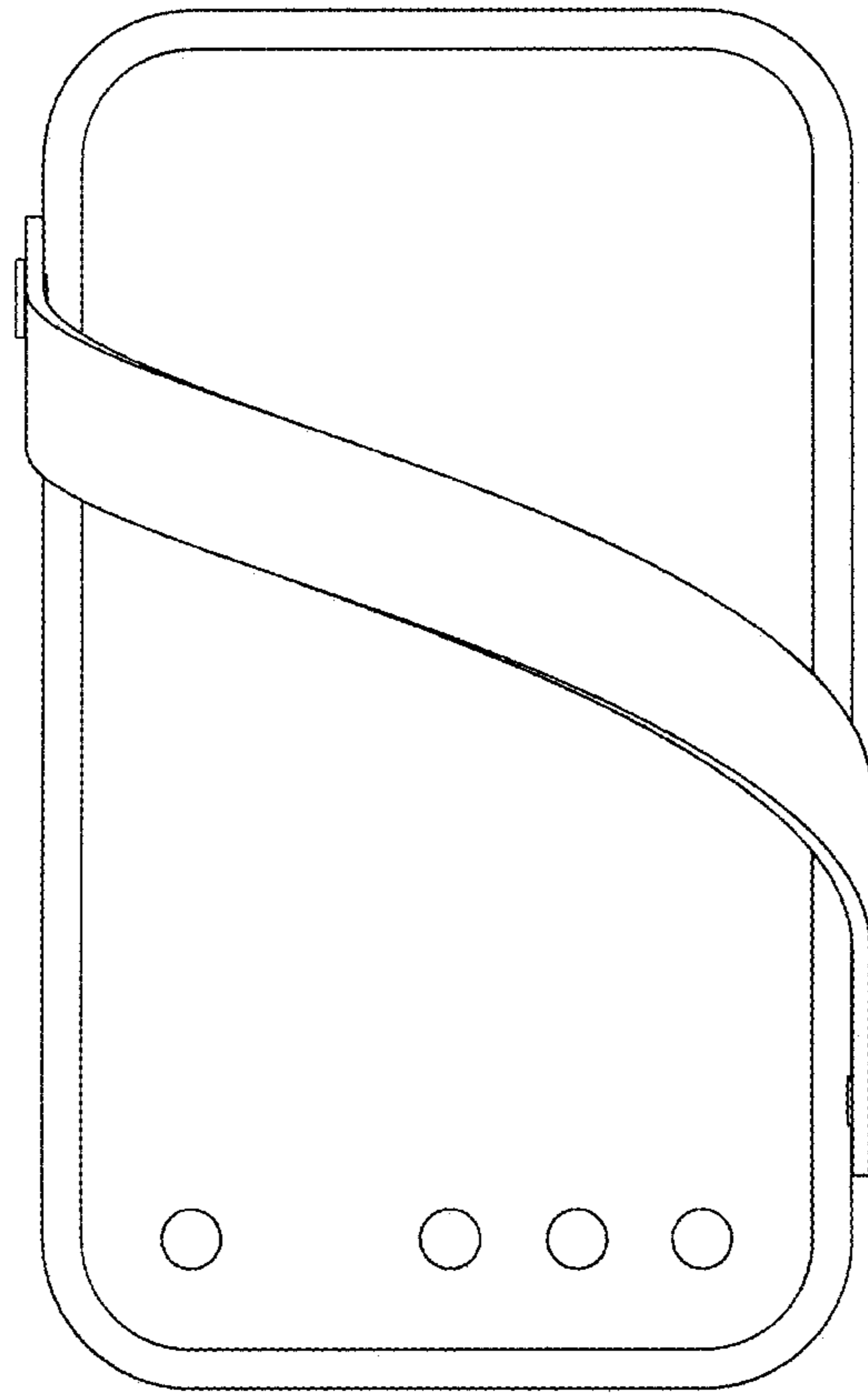


Fig. 7

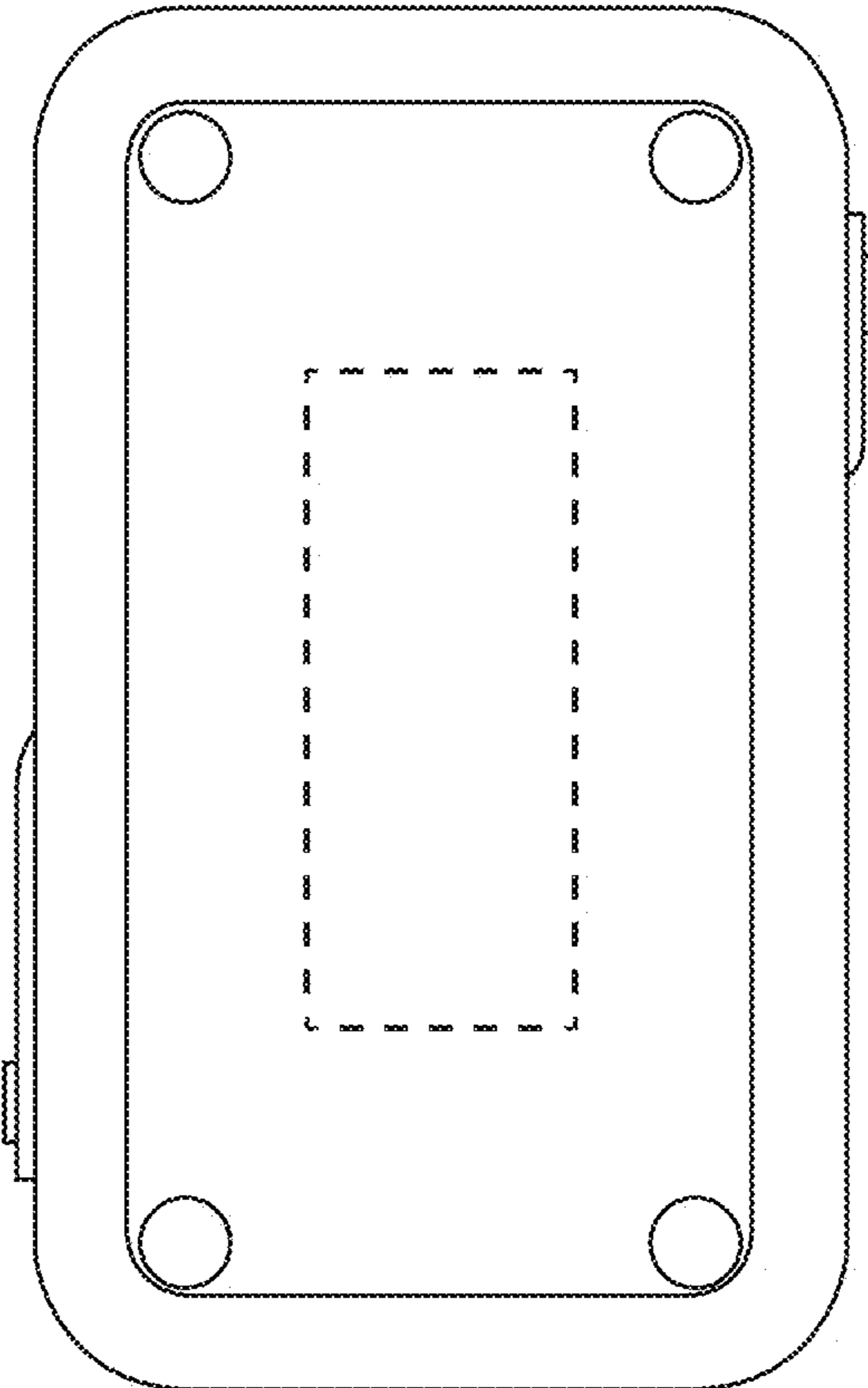


Fig 8

UNITED STATES PATENT AND TRADEMARK OFFICE
CERTIFICATE OF CORRECTION

PATENT NO. : D691,114 S
APPLICATION NO. : 29/415344
DATED : October 8, 2013
INVENTOR(S) : Cecilie Manz

Page 1 of 1

It is certified that error appears in the above-identified patent and that said Letters Patent is hereby corrected as shown below:

On the title page, item (30) Foreign Application Priority Data, “(EP)” should be -- (EM) --

Signed and Sealed this
Fourth Day of March, 2014



Michelle K. Lee
Deputy Director of the United States Patent and Trademark Office