



US00D691113S

(12) **United States Design Patent**  
**Gougherty et al.**

(10) **Patent No.:** **US D691,113 S**  
(45) **Date of Patent:** **\*\* Oct. 8, 2013**

- (54) **COMMUNICATIONS HEADSET**
- (75) Inventors: **Stefan Gougherty**, Santa Cruz, CA  
(US); **Soohyun Ham**, San Francisco, CA  
(US)
- (73) Assignee: **Plantronics, Inc.**, Santa Cruz, CA (US)
- (\*\*) Term: **14 Years**
- (21) Appl. No.: **29/427,487**
- (22) Filed: **Jul. 18, 2012**
- (51) **LOC (9) Cl.** ..... **14-01**
- (52) **U.S. Cl.**  
USPC ..... **D14/206**
- (58) **Field of Classification Search**  
USPC ..... D14/205, 206, 225, 223; 181/129,  
181/130, 135; 379/430, 431; 381/380, 381;  
455/90.3, 575.1  
See application file for complete search history.

- D488,146 S \* 4/2004 Minto ..... D14/206
- D494,154 S \* 8/2004 Polito
- D494,957 S \* 8/2004 Rath et al. .... D14/206
- D505,413 S \* 5/2005 Skulley et al. .... D14/223
- D517,528 S \* 3/2006 Skulley ..... D14/206
- D518,479 S \* 4/2006 Skulley
- D530,307 S \* 10/2006 Rath ..... D14/206
- D531,165 S \* 10/2006 Rath ..... D14/206
- D535,285 S \* 1/2007 Skulley
- D538,785 S \* 3/2007 Skulley ..... D14/206
- D539,267 S \* 3/2007 Komiyama
- D540,303 S \* 4/2007 Rausch et al. .... D14/205
- D541,256 S \* 4/2007 Rausch et al.
- D578,508 S \* 10/2008 Wang ..... D14/206
- D587,683 S \* 3/2009 Ham et al. .... D14/205
- D587,684 S \* 3/2009 Ham et al. .... D14/205
- D601,543 S \* 10/2009 Bentley ..... D14/206
- D602,001 S \* 10/2009 Bentley ..... D14/206
- D602,908 S \* 10/2009 Ham et al. .... D14/206
- D603,372 S \* 11/2009 Bentley ..... D14/206
- D604,266 S \* 11/2009 Milde et al.

(Continued)

*Primary Examiner* — Paula Greene  
(74) *Attorney, Agent, or Firm* — Michael D. Rodriguez

(56) **References Cited**  
U.S. PATENT DOCUMENTS

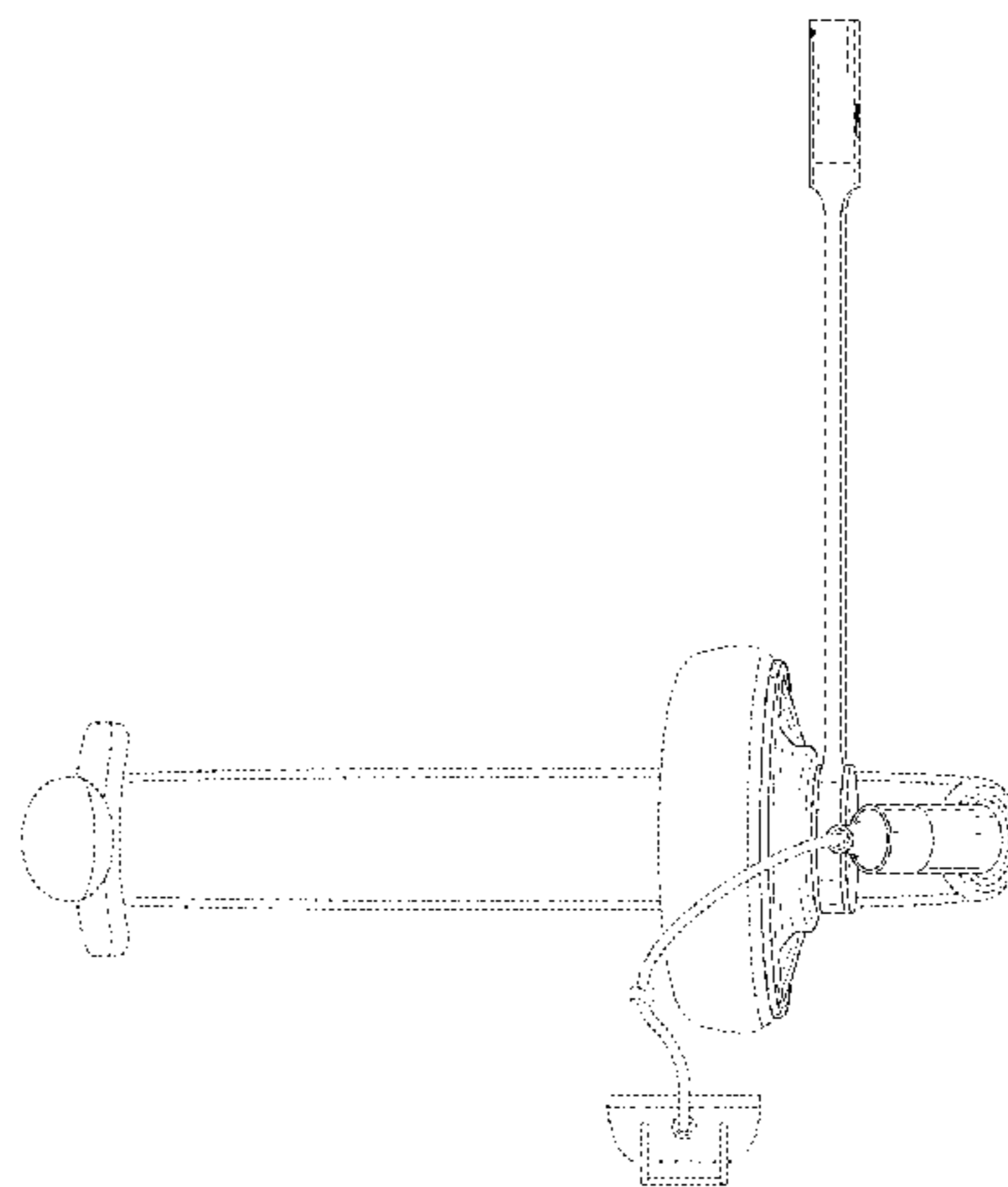
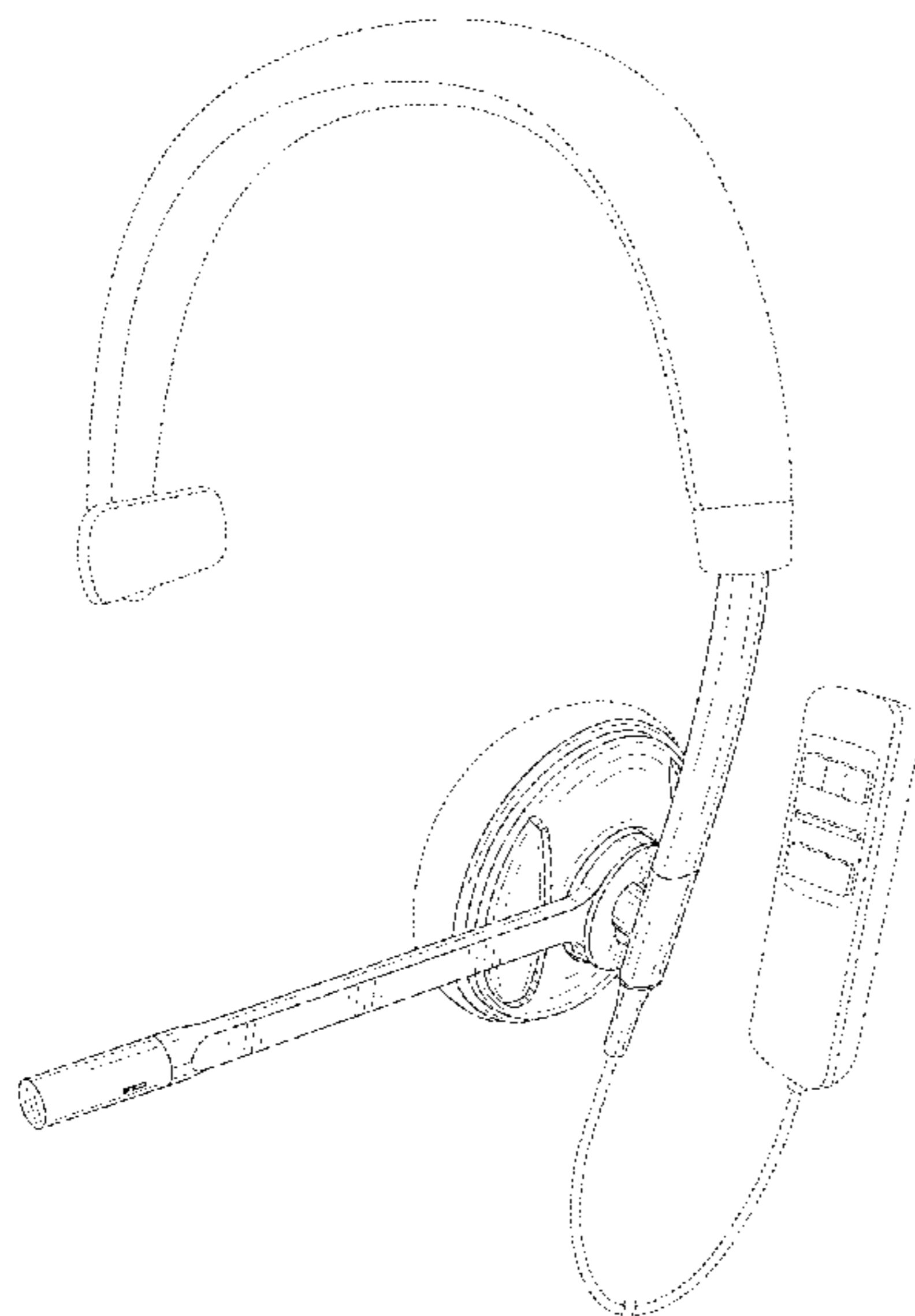
- 2,149,341 A 3/1939 Harrison
- 3,488,457 A 1/1970 Lahti
- D233,444 S \* 10/1974 Christian ..... D14/206
- D246,259 S 11/1977 Nishimura et al.
- D254,183 S 2/1980 Doodson
- D262,019 S 11/1981 Upshaw
- D286,772 S 11/1986 Pope
- D292,205 S 10/1987 Kikutani
- D337,116 S \* 7/1993 Hattori ..... D14/206
- D346,802 S 5/1994 Sacherman et al.
- D366,045 S \* 1/1996 Hirschhorn ..... D14/228
- D377,020 S \* 12/1996 Bungardt et al. .... D14/205
- D394,437 S \* 5/1998 Landreth et al. .... D14/206
- D436,348 S \* 1/2001 McGugan ..... D14/142
- D447,472 S 9/2001 McGugan
- 6,560,346 B2 \* 5/2003 Ohta et al. .... 381/382
- D481,375 S \* 10/2003 Suzuki ..... D14/206
- D482,019 S \* 11/2003 Petersen et al. .... D14/206

(57) **CLAIM**  
The ornamental design for a communications headset, as shown and described.

**DESCRIPTION**

FIG. 1 is a perspective view of a communications headset showing my new design;  
FIG. 2 is a front view thereof;  
FIG. 3 is a back view thereof;  
FIG. 4 is a left side view thereof;  
FIG. 5 is a right side view thereof;  
FIG. 6 is a bottom view thereof; and,  
FIG. 7 is a top view thereof.  
The broken lines showing of the unclaimed environment forms no part of the claimed design.

**1 Claim, 7 Drawing Sheets**



(56)

**References Cited**

U.S. PATENT DOCUMENTS

D625,705 S 10/2010 Ohori et al.  
D628,189 S \* 11/2010 Rath ..... D14/206  
D635,958 S 4/2011 Ando et al.  
D638,000 S \* 5/2011 Hoggarth ..... D14/206  
D643,405 S \* 8/2011 Rath ..... D14/206  
D645,023 S \* 9/2011 Brandis ..... D14/206  
D647,081 S 10/2011 Kwon

D653,649 S \* 2/2012 Yang et al. .... D14/206  
D654,471 S 2/2012 Fischer  
D654,472 S \* 2/2012 Fischer ..... D14/206  
D666,168 S 8/2012 Rath  
D666,993 S 9/2012 Kelley  
D667,388 S \* 9/2012 Kelley ..... D14/206  
D673,523 S \* 1/2013 Brennwald ..... D14/206  
D673,524 S \* 1/2013 Brennwald ..... D14/206  
D681,014 S \* 4/2013 Ham et al. .... D14/223

\* cited by examiner

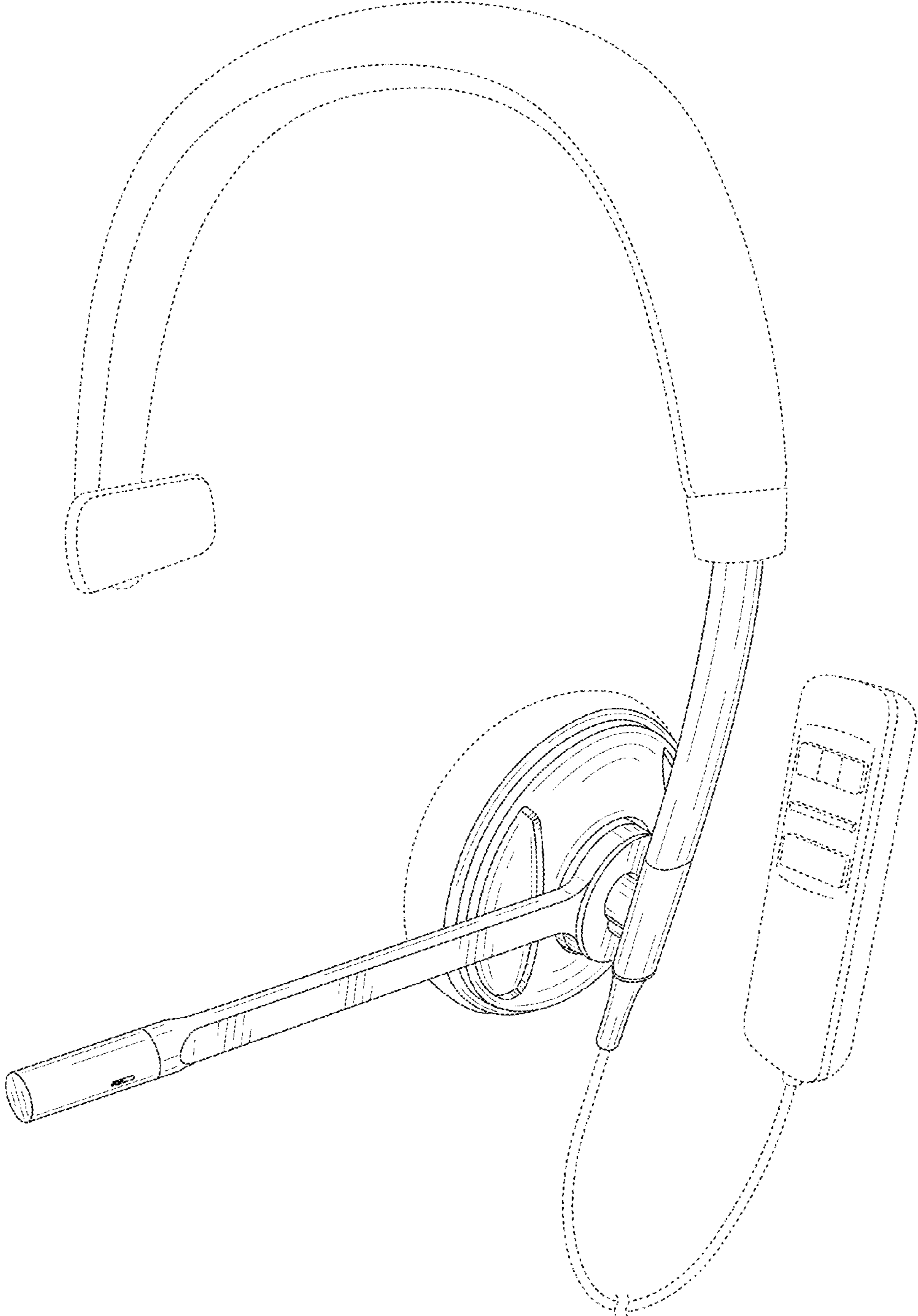


FIG. 1

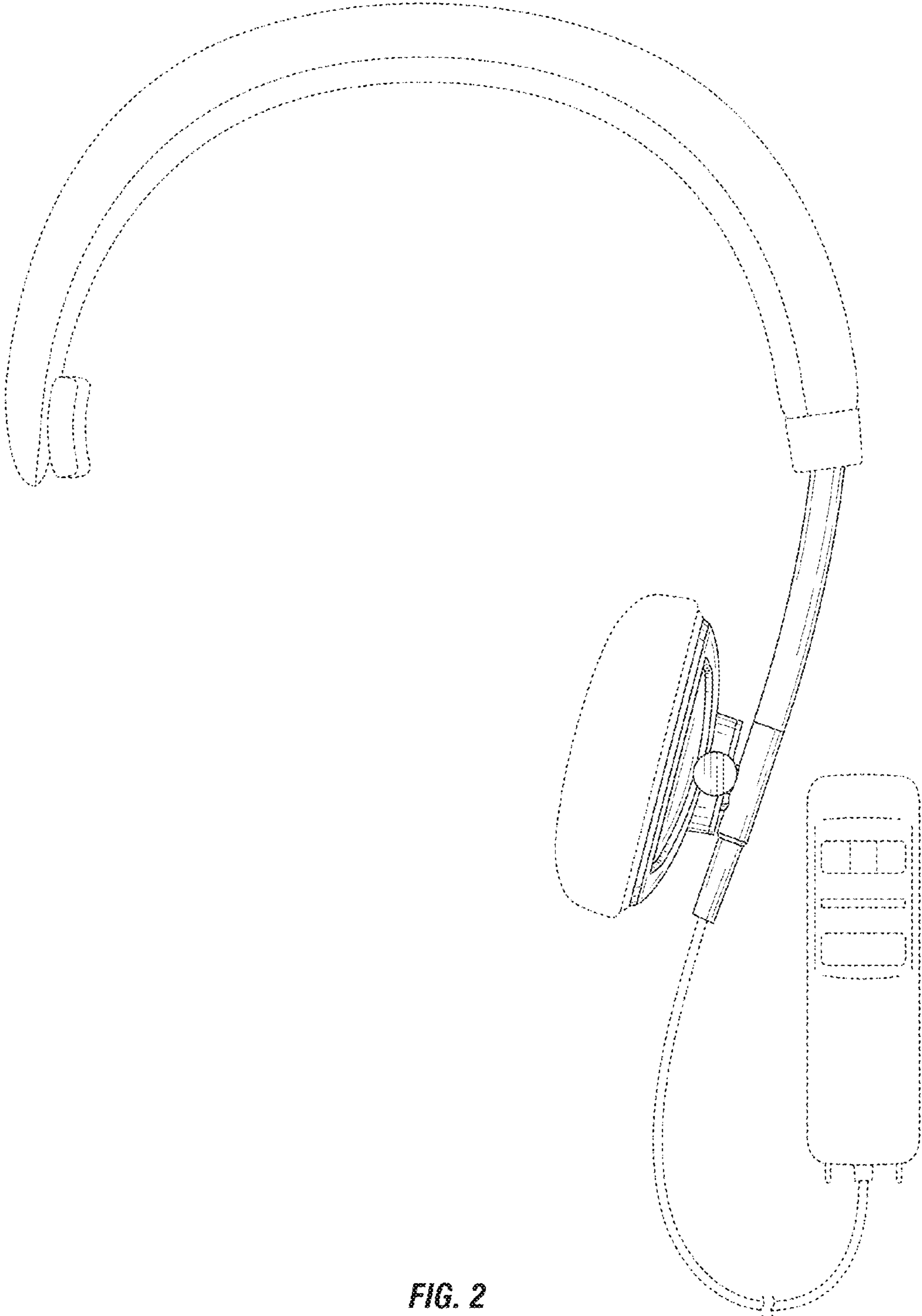


FIG. 2

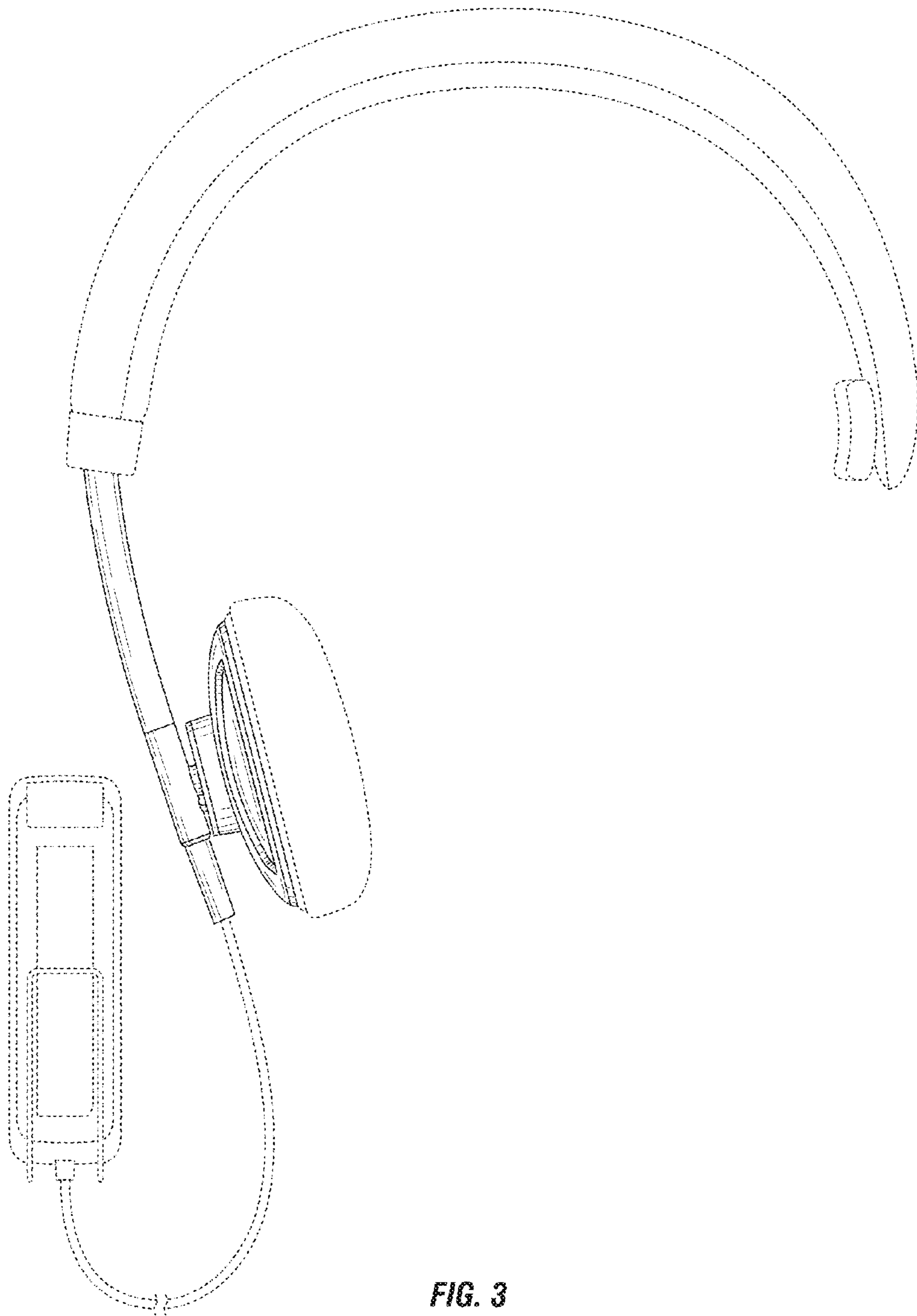


FIG. 3

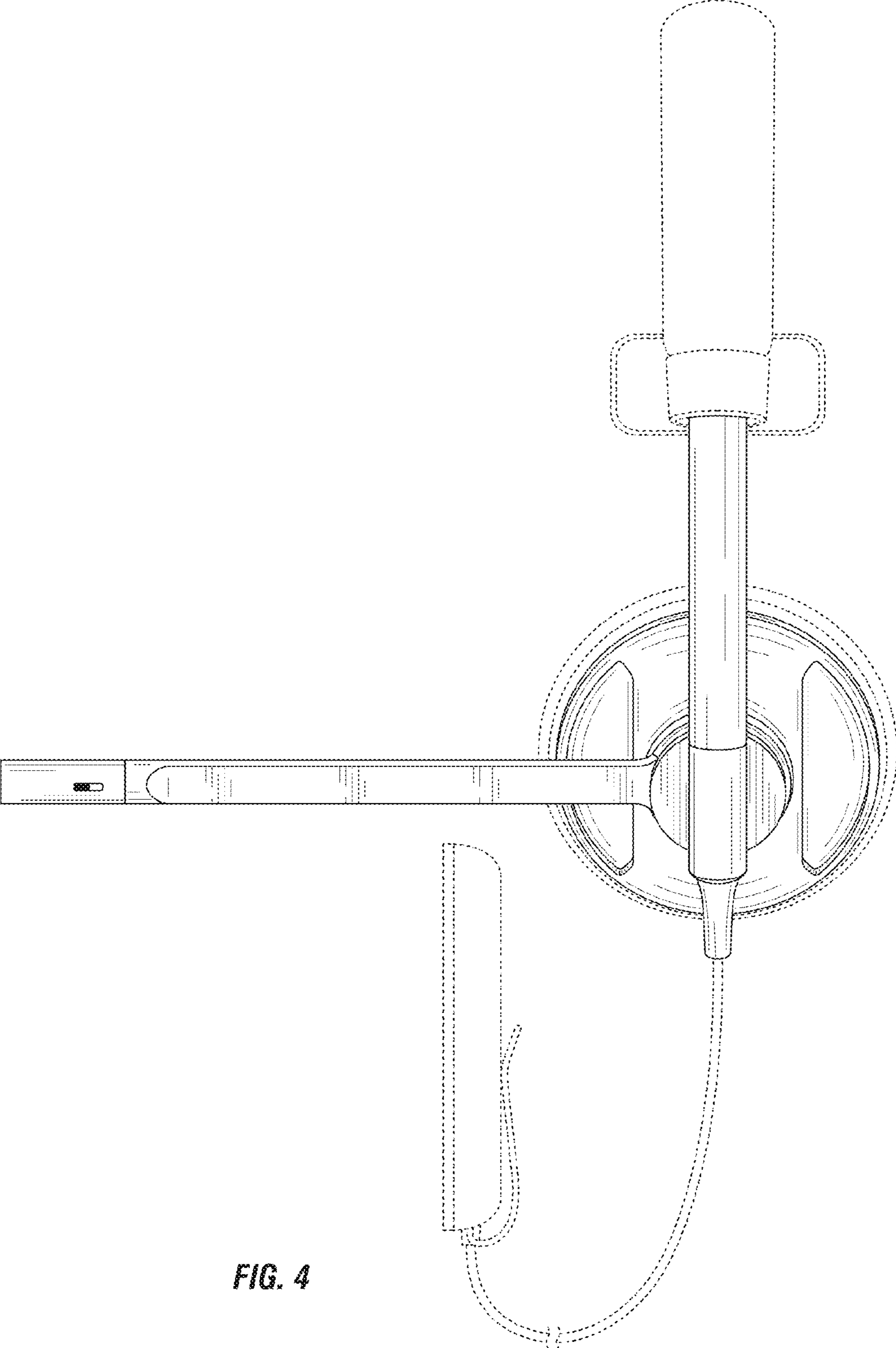


FIG. 4

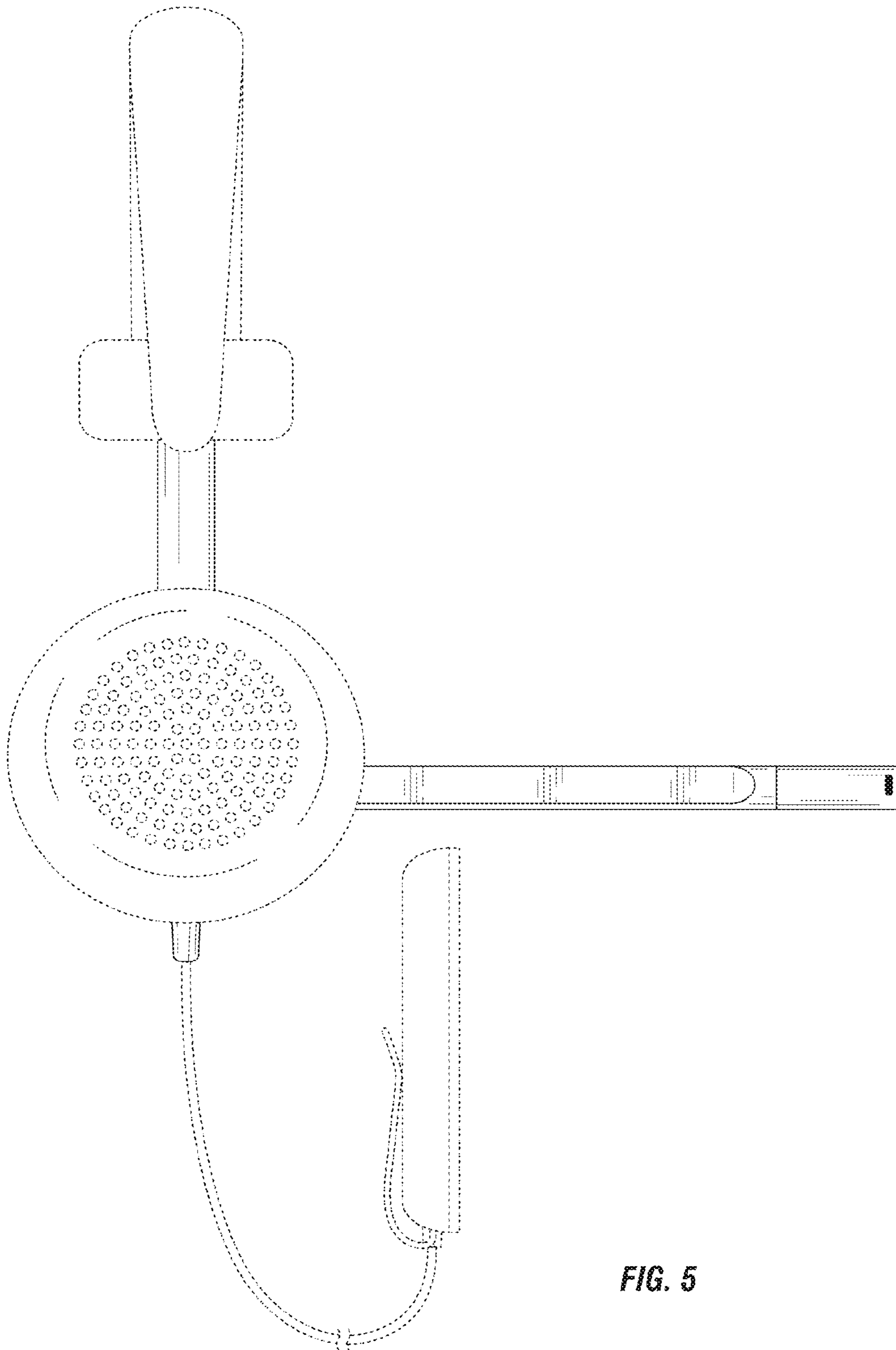


FIG. 5

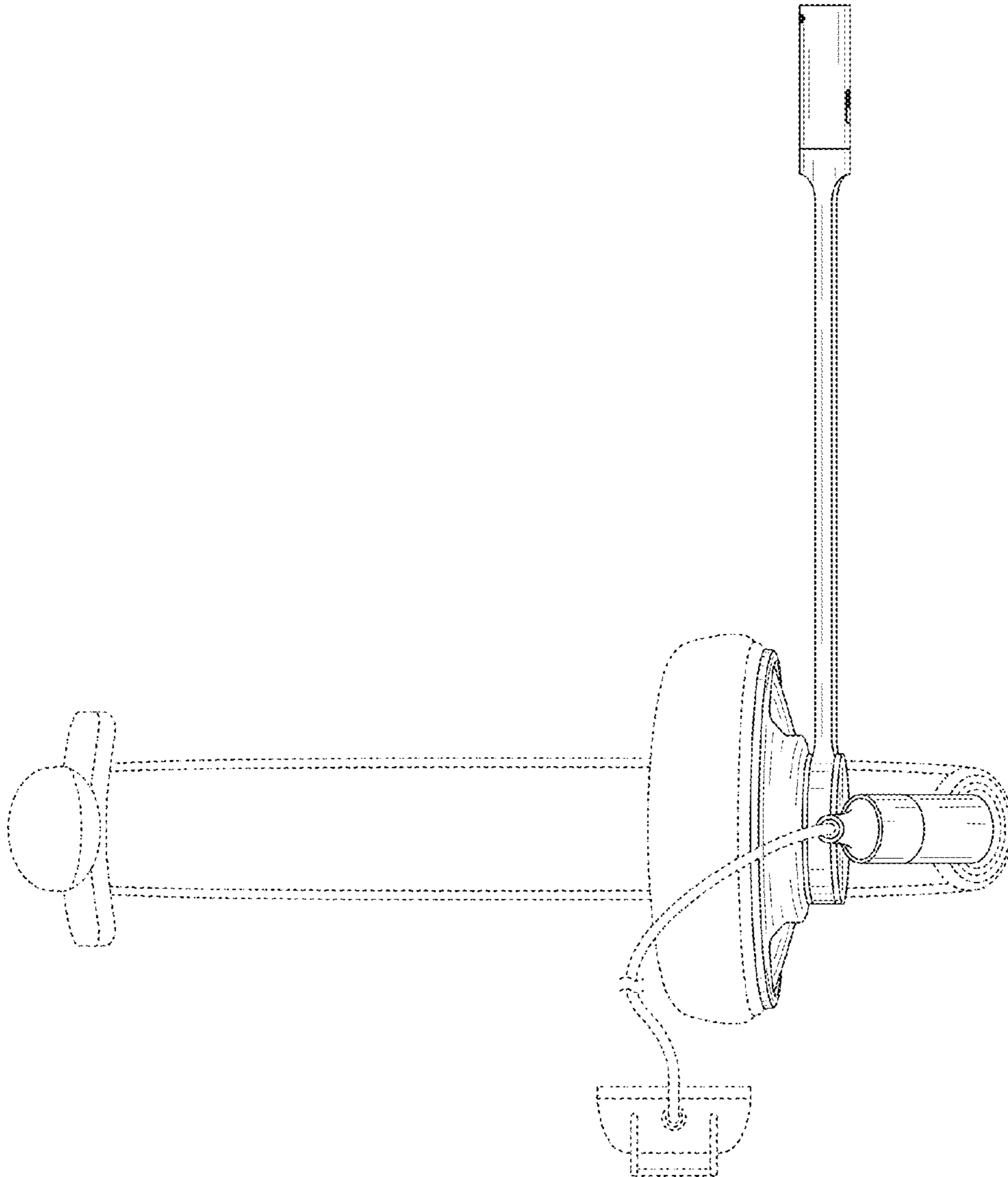


FIG. 6



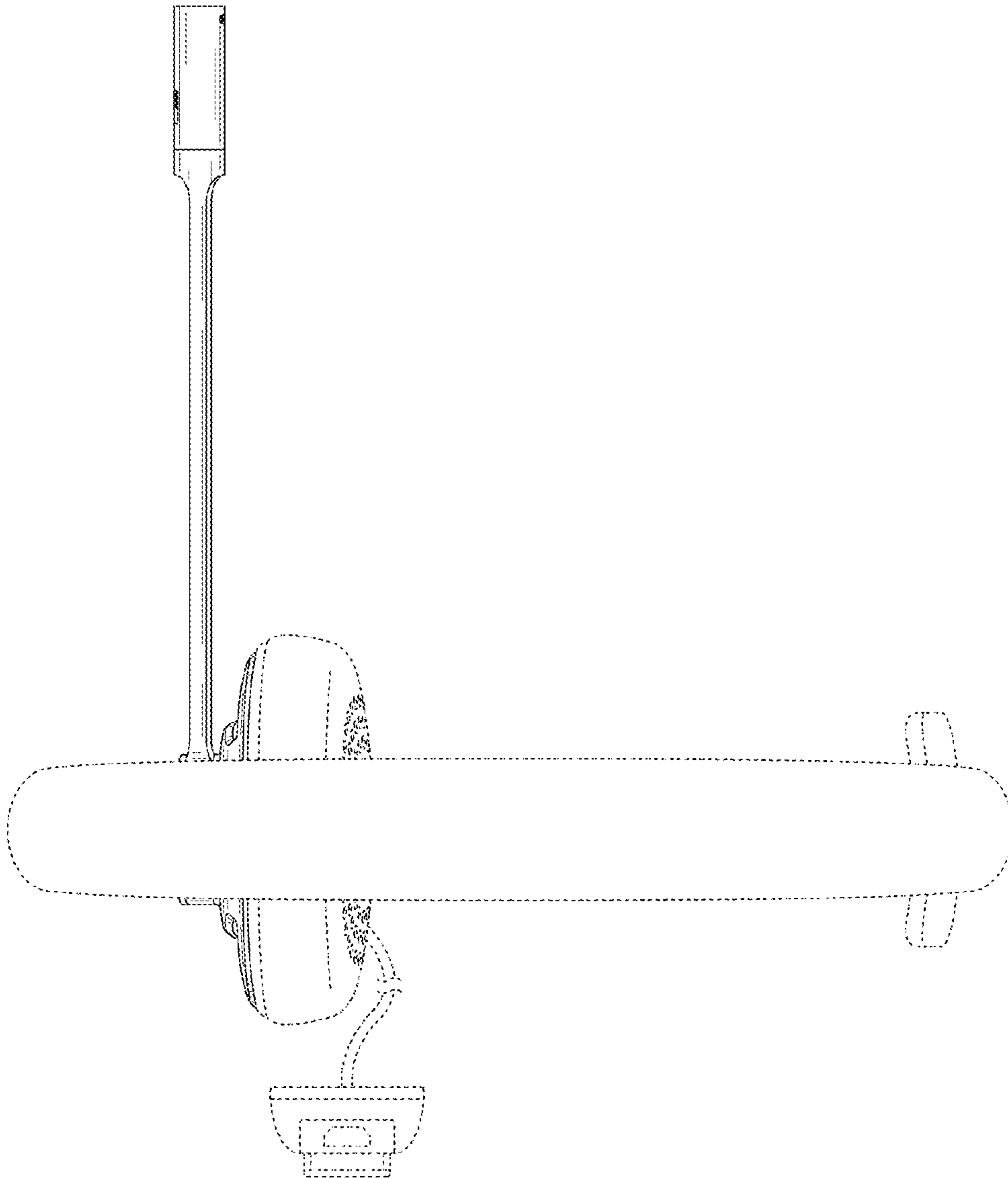


FIG. 7