



US00D691101S

(12) **United States Design Patent**  
**Ishizawa et al.**

(10) **Patent No.:** **US D691,101 S**  
(45) **Date of Patent:** **\*\* Oct. 8, 2013**

(54) **CIRCUIT BOARD FOR AN INK CARTRIDGE**

(75) Inventors: **Taku Ishizawa**, Shiojiri (JP); **Hiroyuki Kawate**, Hokuto (JP); **Hidetoshi Kodama**, Matsumoto (JP)

(73) Assignee: **Seiko Epson Corporation**, Tokyo (JP)

(\*\*) Term: **14 Years**

(21) Appl. No.: **29/415,044**

(22) Filed: **Mar. 7, 2012**

(30) **Foreign Application Priority Data**

Nov. 8, 2011 (JP) ..... 2011-025705

(51) **LOC (9) Cl.** ..... **13-03**

(52) **U.S. Cl.**  
USPC ..... **D13/182**

(58) **Field of Classification Search**  
USPC ..... D13/182, 199; 112/453, 457; 174/68.1, 174/250, 251, 253, 255, 256, 257; 318/568.1, 318/567; 361/679.01, 748, 752, 760, 807; 439/540.1, 945, 946, 76.1; D14/164, 263, D14/435, 481  
See application file for complete search history.

(56) **References Cited**

**U.S. PATENT DOCUMENTS**

D255,351	S	*	6/1980	Pettijohn	.....	D13/182
D258,281	S	*	2/1981	Murphy	.....	D13/182
4,872,091	A	*	10/1989	Maniwa et al.	.....	361/679.31
5,049,084	A	*	9/1991	Bakke	.....	439/66
5,296,652	A	*	3/1994	Miller, Jr.	.....	174/265
D363,920	S	*	11/1995	Roberts et al.	.....	D13/182
5,541,448	A	*	7/1996	Carpenter	.....	257/679
D376,134	S	*	12/1996	Anton	.....	D13/182
5,742,299	A	*	4/1998	Igarashi	.....	345/501
D397,092	S	*	8/1998	Sano et al.	.....	D13/182

D397,093	S	*	8/1998	Kim	.....	D13/182
D402,273	S	*	12/1998	Kataoka et al.	.....	D13/182
6,025,993	A	*	2/2000	Wakabayashi et al.	.....	361/705
D429,704	S	*	8/2000	Kang	.....	D13/182
D459,706	S	*	7/2002	Ebihara et al.	.....	D13/182
D466,093	S	*	11/2002	Ebihara et al.	.....	D13/182
D471,167	S	*	3/2003	Ebihara et al.	.....	D13/182
D471,524	S	*	3/2003	Ebihara et al.	.....	D13/182
D505,925	S	*	6/2005	Koo	.....	D13/182
D508,681	S	*	8/2005	Enderlein et al.	.....	D13/182
D525,213	S	*	7/2006	Enderlein et al.	.....	D13/182
D548,201	S	*	8/2007	Jones	.....	D13/182
D576,577	S	*	9/2008	Kobayashi et al.	.....	D13/182
D597,504	S	*	8/2009	Kobayashi et al.	.....	D13/182
D601,520	S	*	10/2009	Yokota et al.	.....	D13/182
D605,613	S	*	12/2009	Carter et al.	.....	D13/182
D612,347	S	*	3/2010	Yokota et al.	.....	D13/182
D639,756	S	*	6/2011	Greene, Jr.	.....	D13/182
D647,072	S	*	10/2011	Bentley	.....	D13/182
D658,607	S	*	5/2012	Heng et al.	.....	D13/182
D673,921	S	*	1/2013	Ozawa	.....	D13/182
D675,582	S	*	2/2013	Segler et al.	.....	D13/182

\* cited by examiner

*Primary Examiner* — Elizabeth J Oswecki

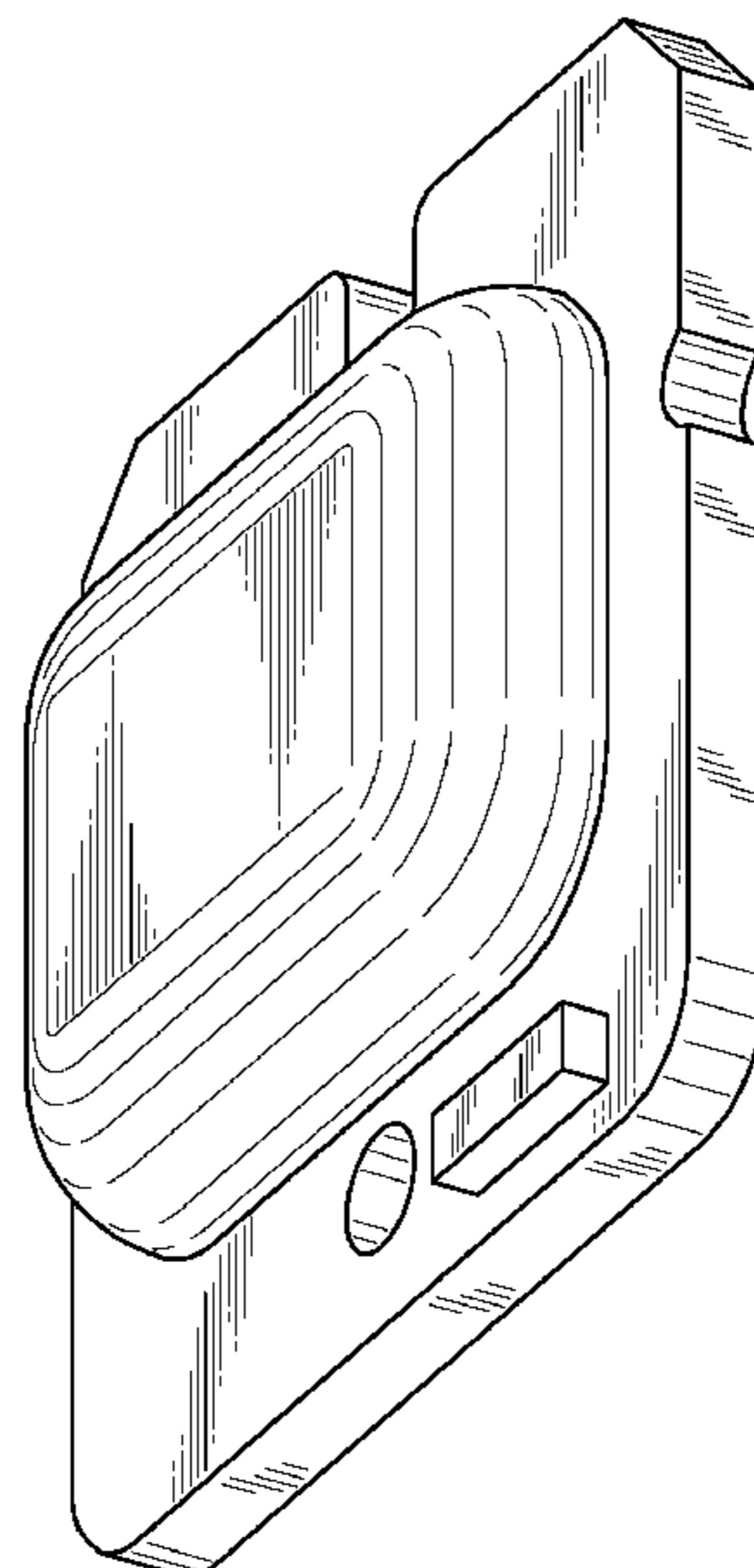
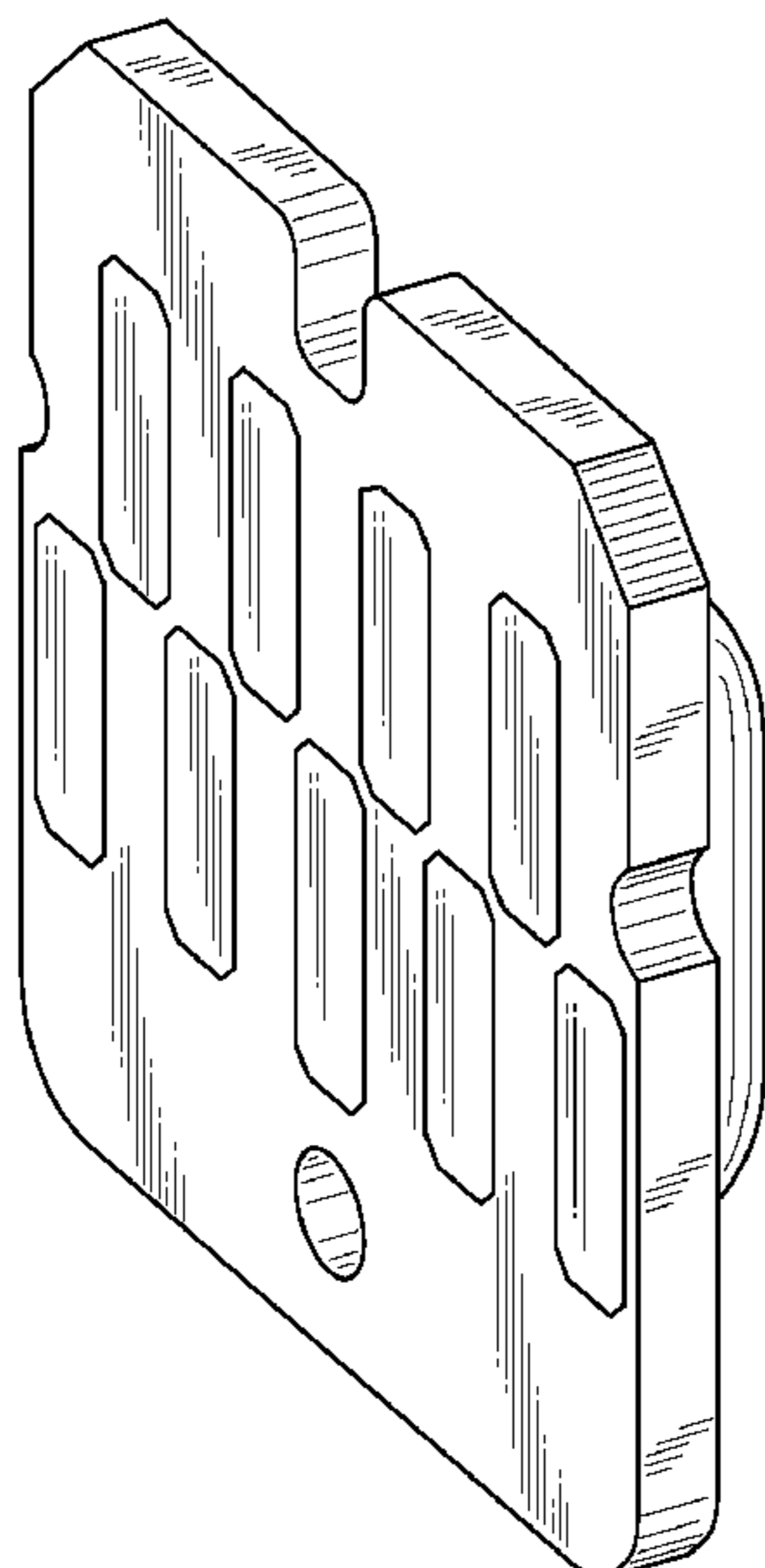
(57) **CLAIM**

The ornamental design for a circuit board for an ink cartridge, as shown and described.

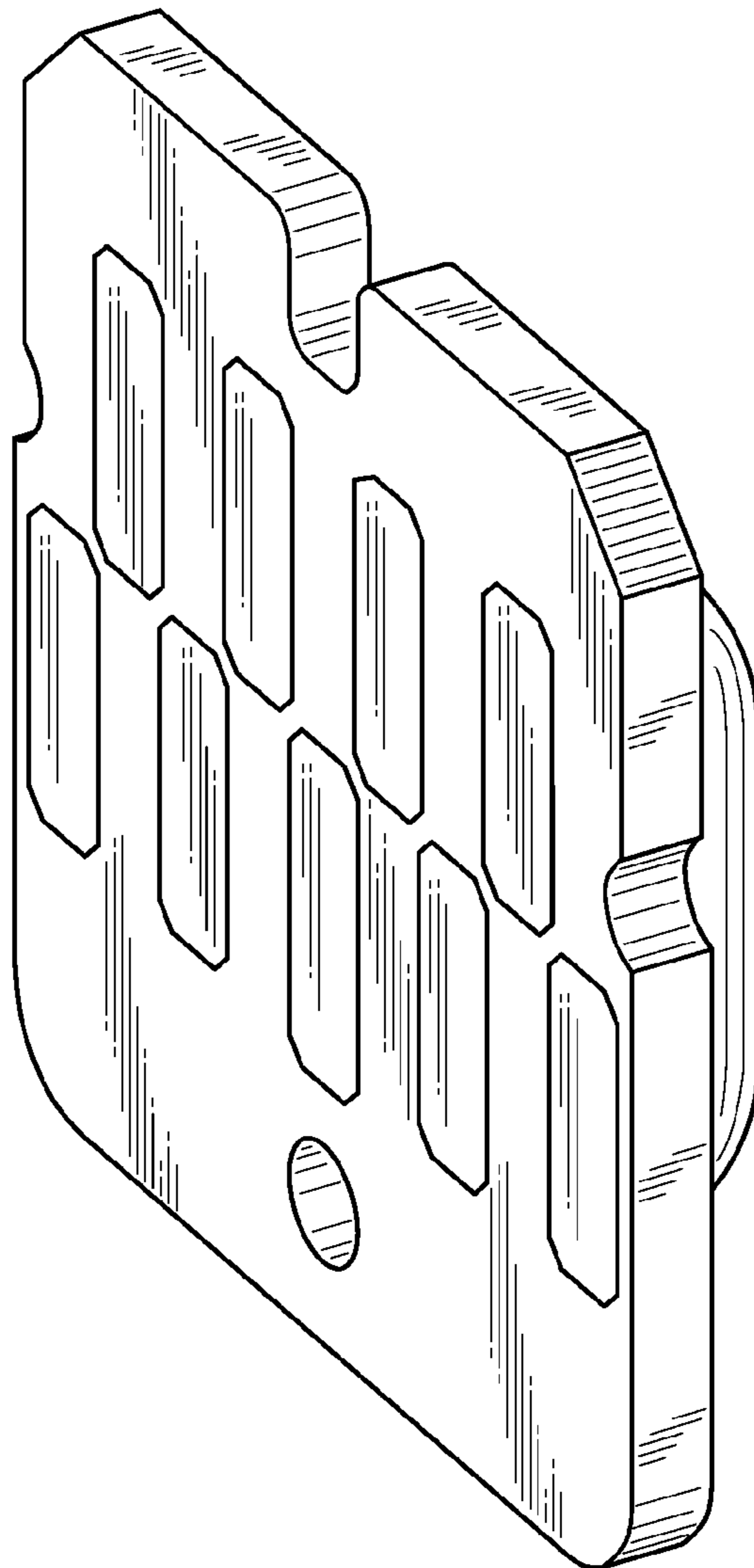
**DESCRIPTION**

FIG. 1 is a front, top, and right side perspective view of a circuit board for an ink cartridge showing our new design; FIG. 2 is a rear, bottom, and left side perspective view thereof; FIG. 3 is a front view thereof; FIG. 4 is a rear view thereof; FIG. 5 is a top plan view thereof; FIG. 6 is a bottom plan view thereof; FIG. 7 is a right side view thereof; and, FIG. 8 is a left side view thereof.

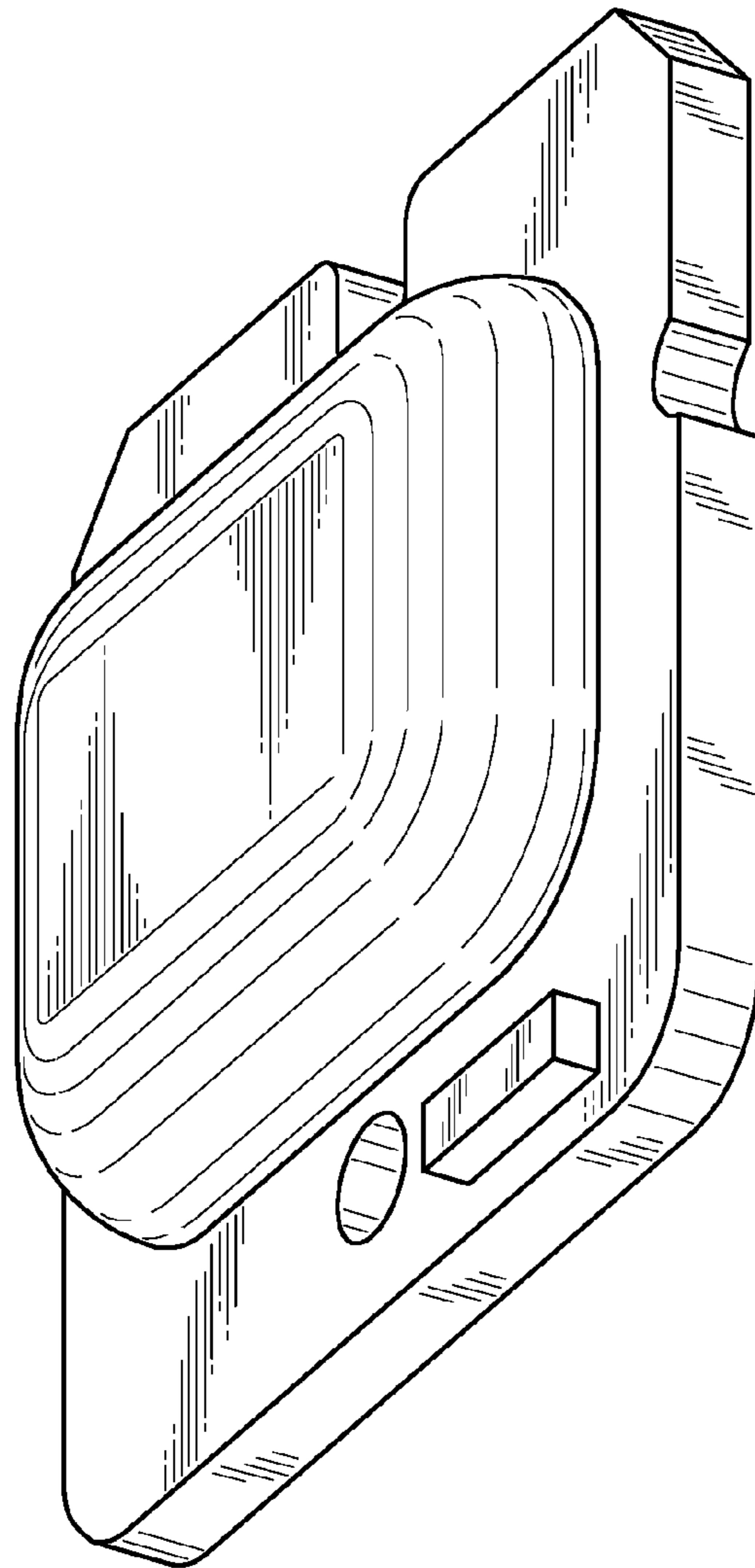
**1 Claim, 6 Drawing Sheets**



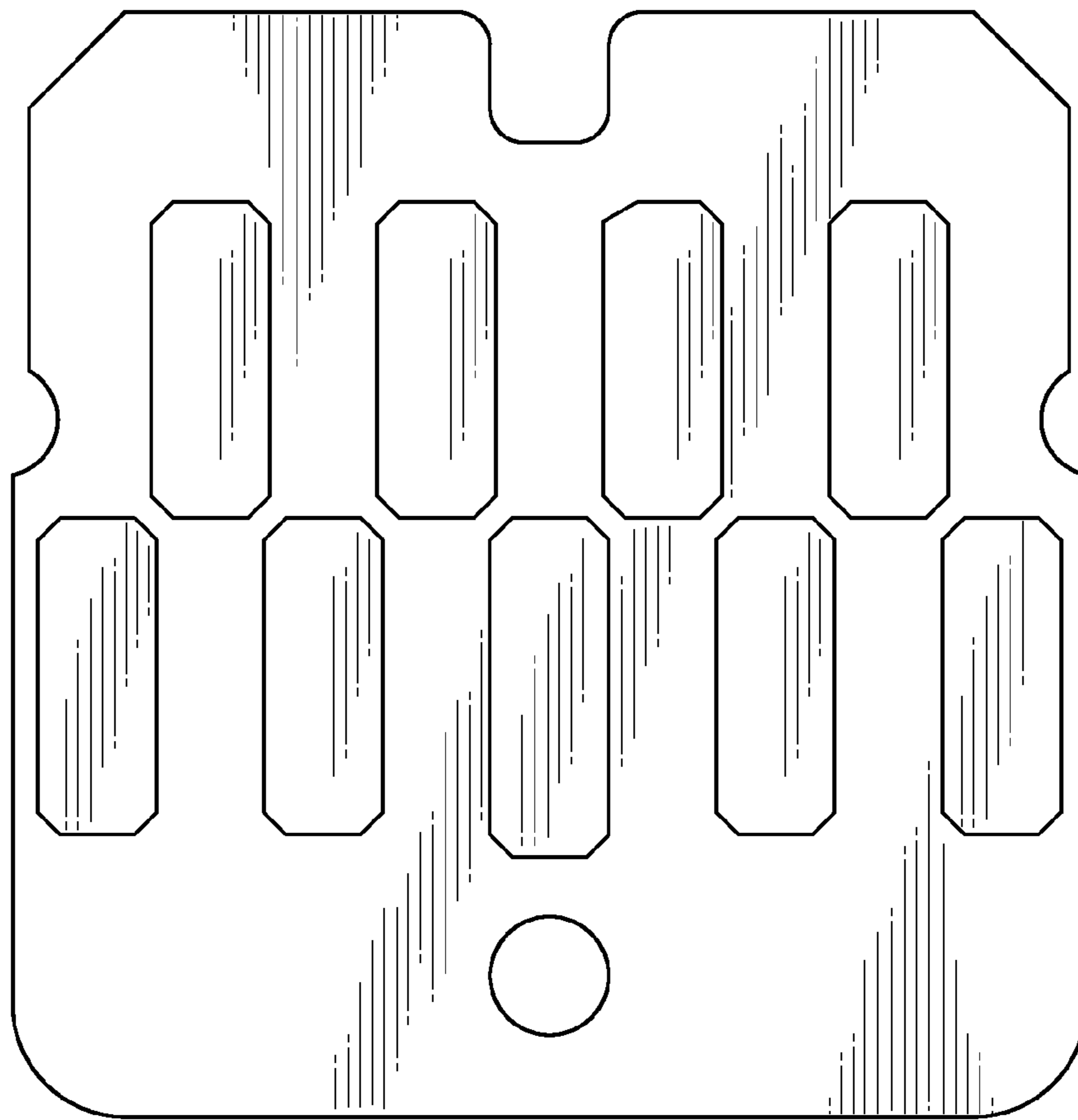
***FIG. 1***



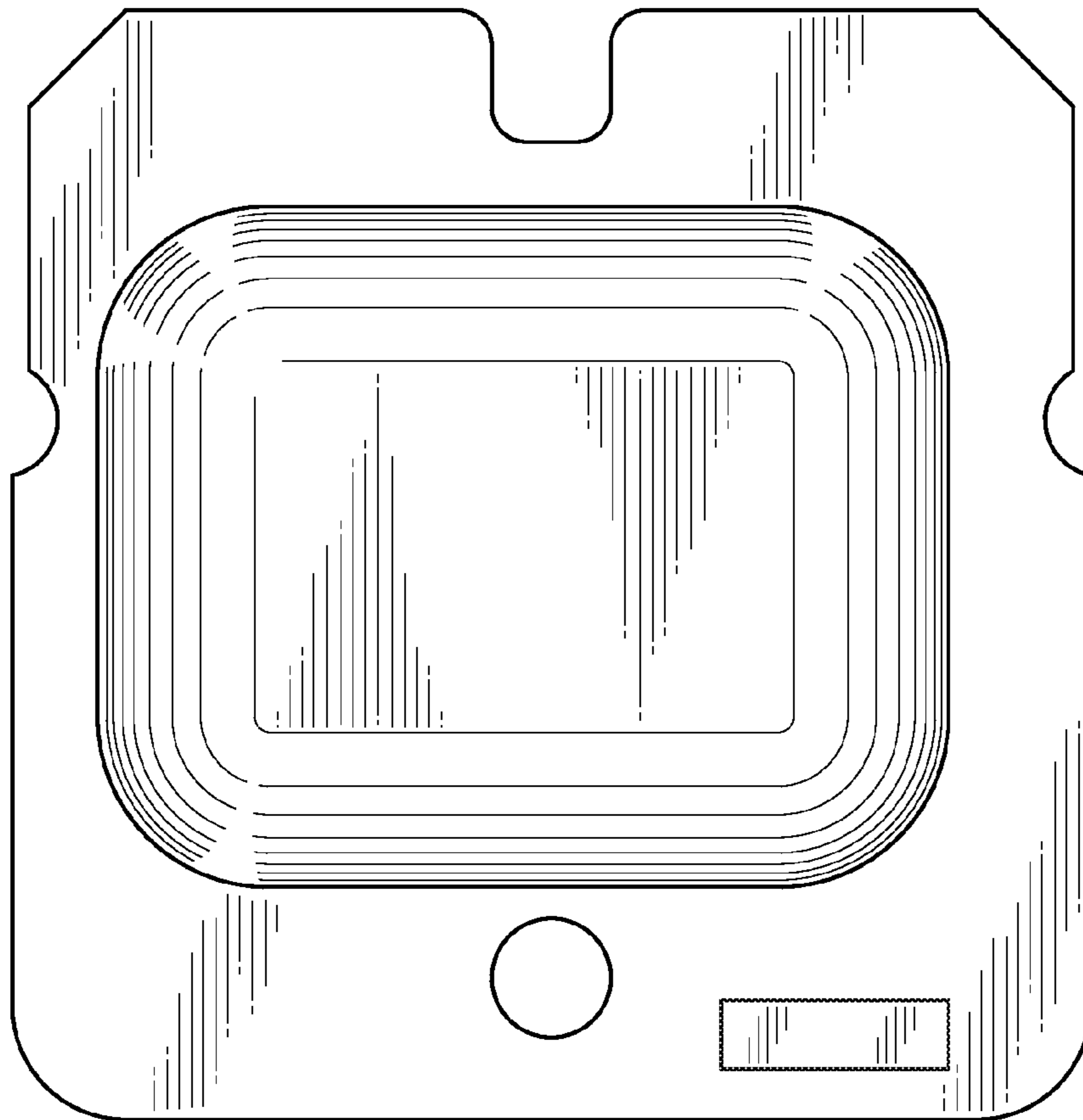
**FIG. 2**



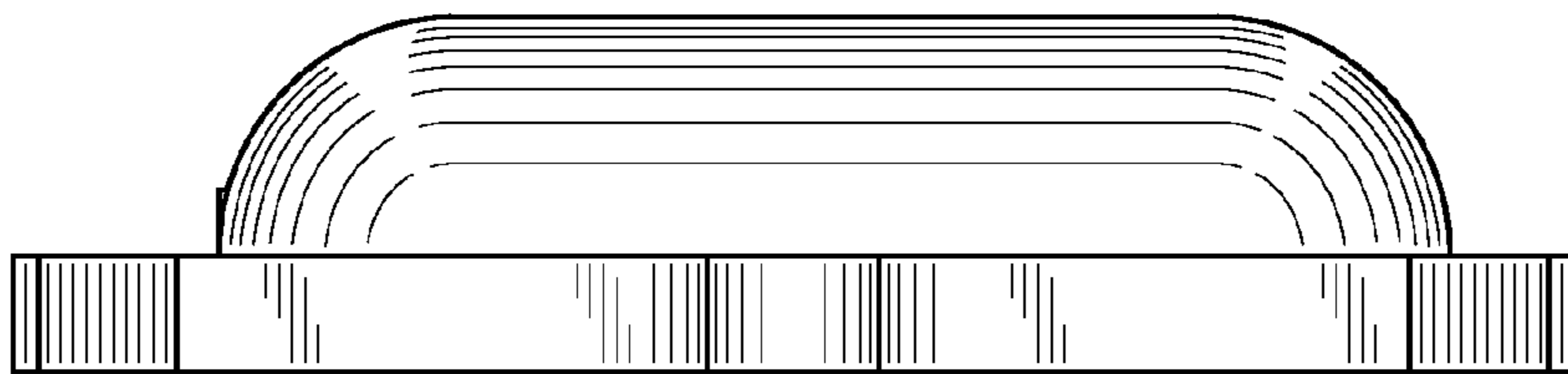
*FIG. 3*



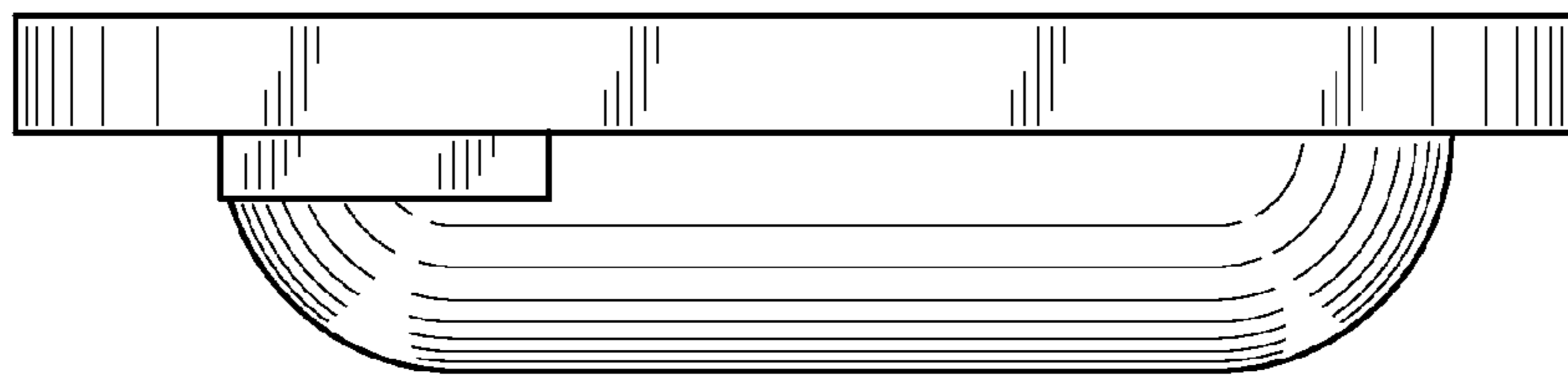
*FIG. 4*



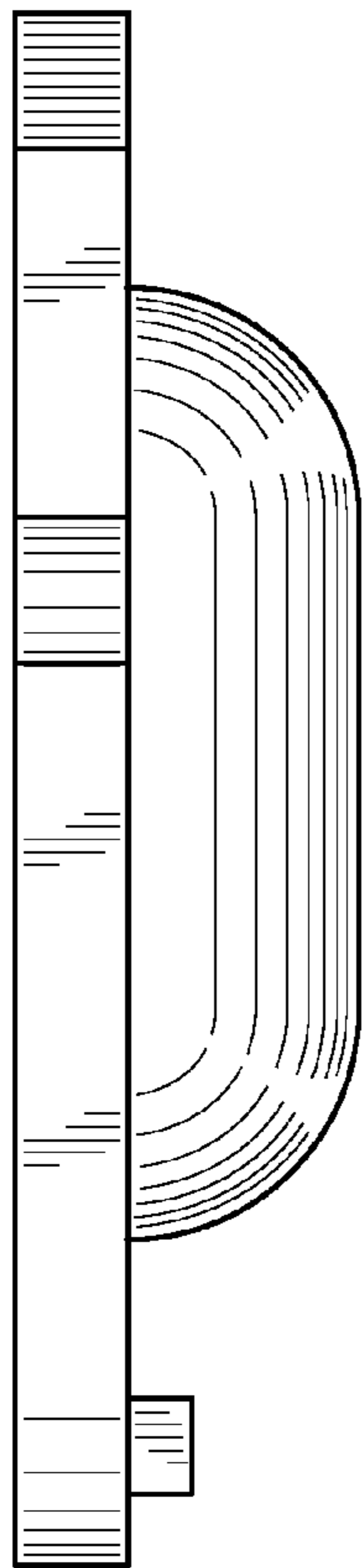
*FIG. 5*



*FIG. 6*



**FIG. 7**



**FIG. 8**

