

US00D691100S

(12) **United States Design Patent**  
**Chan et al.**

(10) **Patent No.:** **US D691,100 S**  
(45) **Date of Patent:** **\*\* Oct. 8, 2013**

(54) **MINIATURE SURFACE MOUNT DEVICE**

(75) Inventors: **Chi Keung Chan**, Sheung Shui (HK);  
**Chak Hau Pang**, Fanling (HK); **Fei Hong Li**, Huizhou (CN); **Yue Kwong Lau**, Laguna (HK); **Jun Zhang**, Huizhou (CN); **David Todd Emerson**, Chapel Hill, NC (US)

(73) Assignee: **Cree Huizhou Solid State Lighting Company Limited** (CN)

(\*\*) Term: **14 Years**

(21) Appl. No.: **29/386,583**

(22) Filed: **Mar. 2, 2011**

(51) **LOC (9) Cl.** ..... **13-03**

(52) **U.S. Cl.**  
USPC ..... **D13/180**

(58) **Field of Classification Search**  
USPC ..... D13/180, 182; D26/1, 2; 257/79, 257/80, 81, 88, 89, 95, 98, 99, 100, E33.058; 313/483, 498, 500; 362/555, 800  
See application file for complete search history.

(56) **References Cited**

**U.S. PATENT DOCUMENTS**

7,435,143	B2 *	10/2008	Anderlini	.....	439/699.2
D585,848	S *	2/2009	Kim et al.	.....	D13/180
D586,302	S *	2/2009	Kim et al.	.....	D13/180
D606,948	S	12/2009	Hussell et al.		
D606,950	S *	12/2009	Ariizumi	.....	D13/180
D611,012	S *	3/2010	Hsieh	.....	D13/180
D615,504	S	5/2010	Keller et al.		
D626,257	S	10/2010	Pickard		
D633,099	S	2/2011	Van de Ven et al.		
7,888,852	B1 *	2/2011	Sung	.....	313/46

(Continued)

**FOREIGN PATENT DOCUMENTS**

CN	101388161	A	3/2009
JP	2004-335740	A	11/2004
WO	WO2008081696		7/2008

**OTHER PUBLICATIONS**

Notice of Grant of Design Patent Right for counterpart Chinese Application No. 201130305426.5, dated Nov. 24, 2011, 3 pages.

(Continued)

*Primary Examiner* — Selina Sikder

(74) *Attorney, Agent, or Firm* — Brinks Hofer Gilson & Lione

(57) **CLAIM**

We claim the ornamental design for a miniature surface mount device, as shown and described.

**DESCRIPTION**

FIG. 1 is a top perspective view of an embodiment of our new design;

FIG. 2 is a bottom perspective view of the embodiment of our new design;

FIG. 3 is a top plan view of the embodiment shown in FIG. 1; FIG. 4 is a bottom plan view of the embodiment shown in FIG. 1;

FIG. 5 is a right side elevation view of the embodiment shown in FIG. 1;

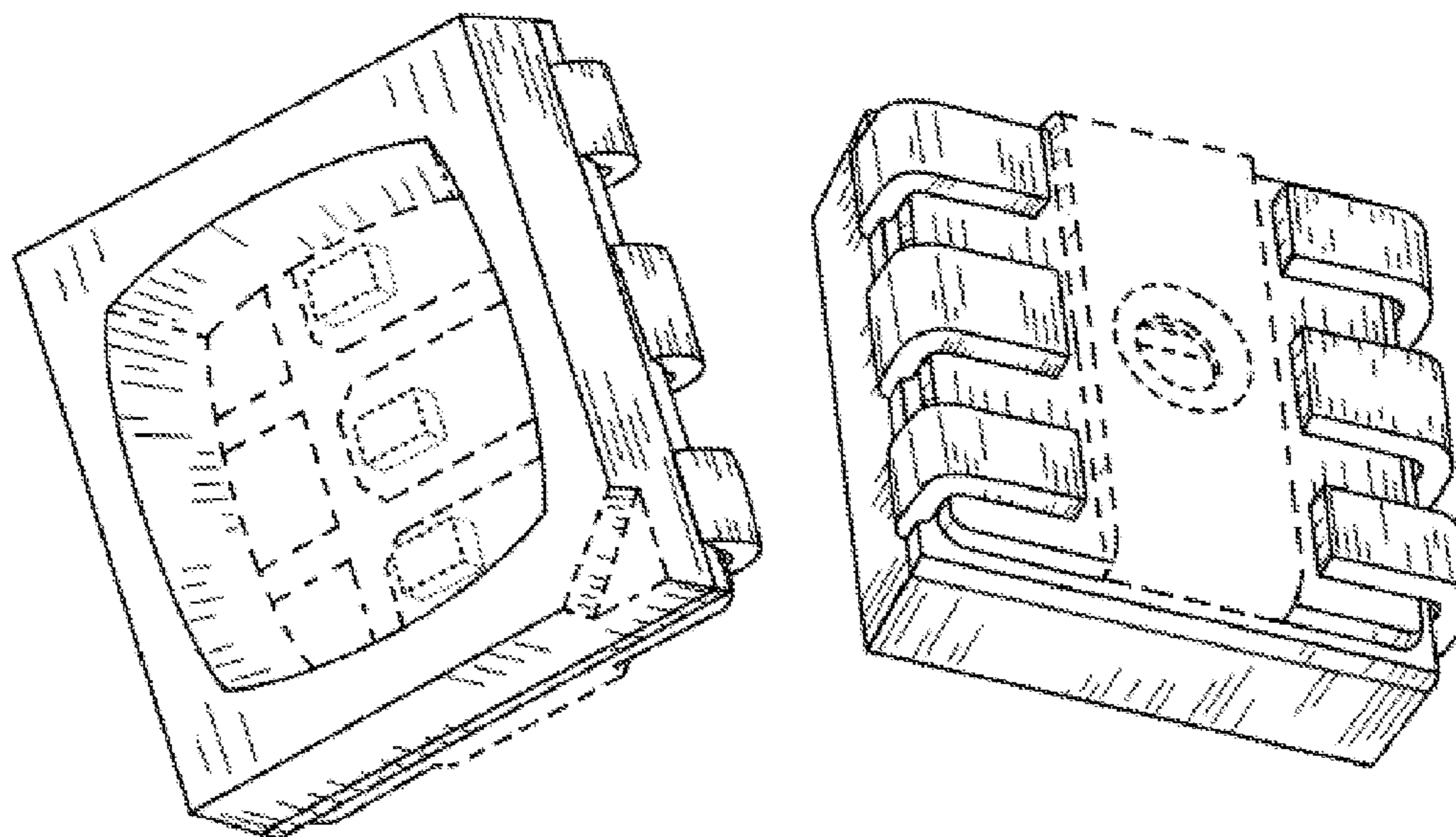
FIG. 6 is a left side elevation view of the embodiment shown in FIG. 1;

FIG. 7 is a front elevation view of the embodiment shown in FIG. 1; and,

FIG. 8 is a rear elevation view of the embodiment shown in FIG. 1.

The ornamental design which is claimed is shown in solid lines in the drawings. Any broken lines in the drawings are for illustrative purposes only and form no part of the claimed design.

**1 Claim, 3 Drawing Sheets**



(56)

**References Cited**

U.S. PATENT DOCUMENTS

D659,657	S *	5/2012	Hussell et al. ....	D13/180
8,217,414	B2	7/2012	Hayashi	
D667,801	S *	9/2012	Joo et al. ....	D13/180
8,269,244	B2 *	9/2012	Hussell .....	257/98
2005/0127816	A1 *	6/2005	Sumitani .....	313/498
2008/0023714	A1	1/2008	Chae et al.	
2008/0111148	A1 *	5/2008	Zimmerman .....	257/98
2009/0072251	A1	3/2009	Chan et al.	
2009/0129085	A1	5/2009	Aizar et al.	
2009/0283781	A1	11/2009	Chan et al.	
2010/0155748	A1	6/2010	Chan et al.	
2010/0308352	A1 *	12/2010	Liao et al. ....	257/89
2011/0001149	A1	1/2011	Chan et al.	
2011/0291152	A1 *	12/2011	Liaw .....	257/99

OTHER PUBLICATIONS

Notice of Grant of Design Patent Right for counterpart Chinese Application No. 201130305418.0, dated Dec. 7, 2011, 2 pages.  
 Cree® PLCC4 2-in-1 SMD LED CLM4S-DKB Data Sheet, Copyright 2008-2009 Cree, Inc. (8 pages).  
 Cree® PLCC6 3-in-1 SMD LED CLP6R-FKW Data Sheet, Copyright 2009 Cree, Inc. (9 pages).

Cree® TR2432™ LEDs Data Sheet CxxxTR2432-S-xx00, Copyright 2008 Cree, Inc. (6 pages).  
 For Cree H.K Only Pn-series AlGaInP LED chip, Copyright 2009 Epistar Corporation (2 pages).  
 For Cree Hong Kong Limited. Phoenix N-series AlGaInP LED chip, Copyright 2007 Epistar Corporation (2 pages).  
 U.S. Appl. No. 12/758,702, filed Apr. 12, 2010, entitled "Surface Mount Device Thin Package" (58 pages).  
 Drawings for U.S. design Appl. No. 29/360,791, filed Apr. 30, 2010 (4 pages).  
 Provisional U.S. Appl. No. 61/369,565, filed Jul. 30, 2010, entitled "Water Resistant Surface Mount Device" (59 pages).  
 U.S. Appl. No. 12/875,873, filed Sep. 3, 2010, entitled "LED Package With Contrasting Face" (45 pages).  
 U.S. Appl. No. 12/939,096, filed Nov. 3, 2010, entitled "White Ceramic LED Package" (43 pages).  
 U.S. Appl. No. 12/957,225, filed Nov. 30, 2010, entitled "Waterproof Surface Mount Device Package and Method" (48 pages).  
 Search Report issued in international application No. PCT/CN2011/000334, mailed Jun. 9, 2011 (8 pages).  
 Written Opinion issued in international application No. PCT/CN2011/000334, mailed Jun. 9, 2011 (9 pages).  
 Office Action to U.S. Appl. No. 13/153,888, dated Feb. 27, 2013, 16p.

\* cited by examiner

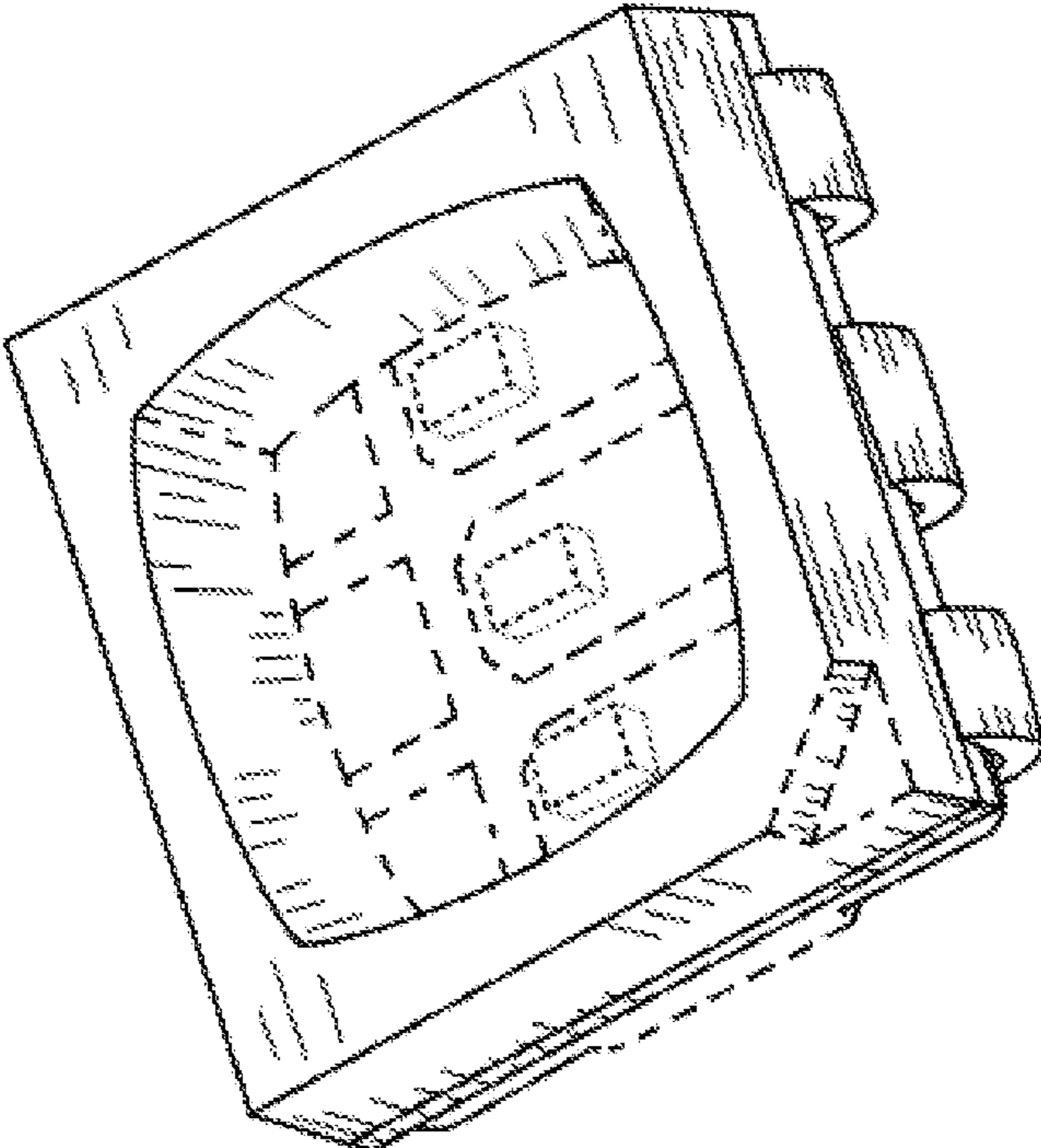


FIG. 1

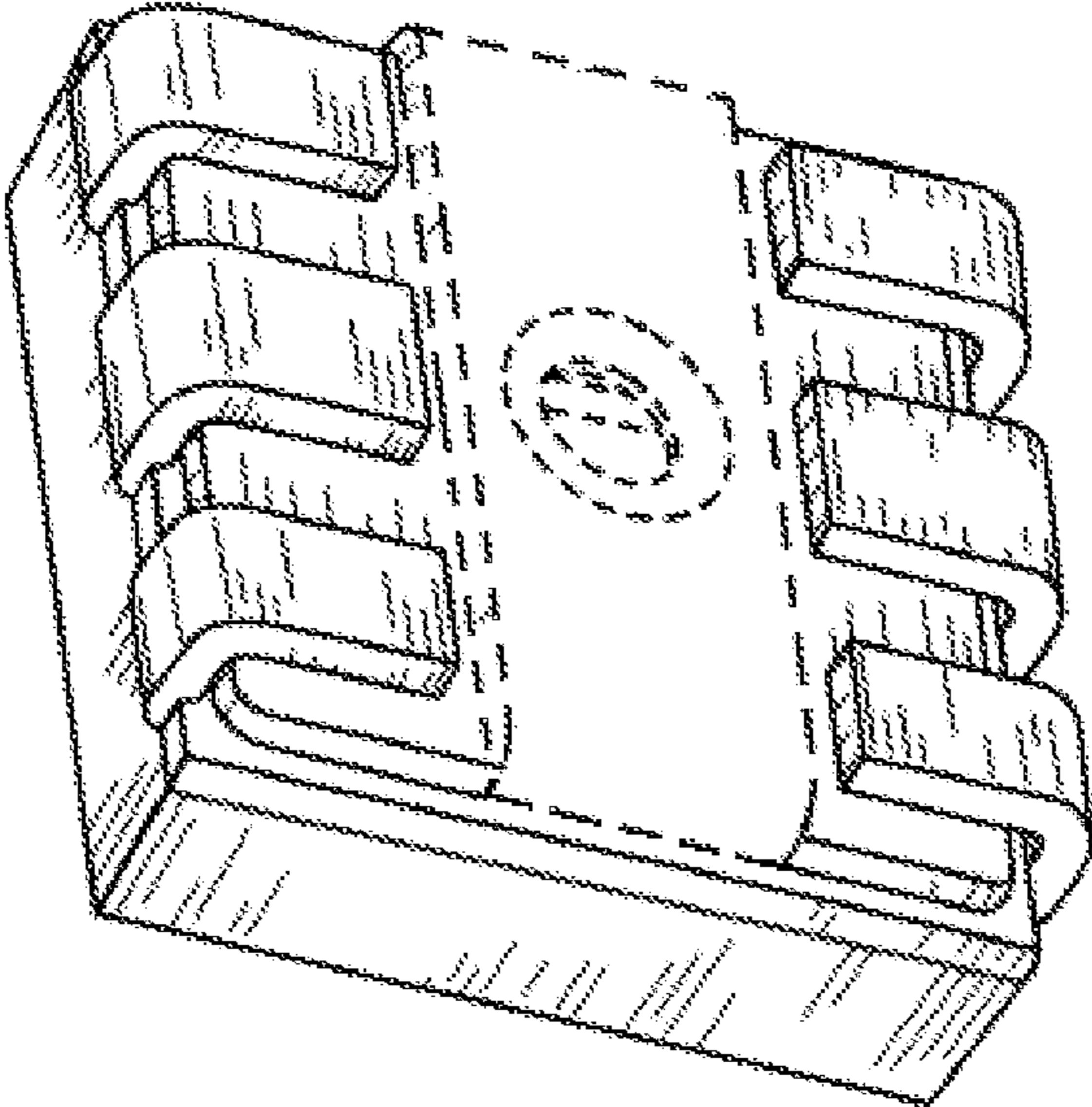


FIG. 2



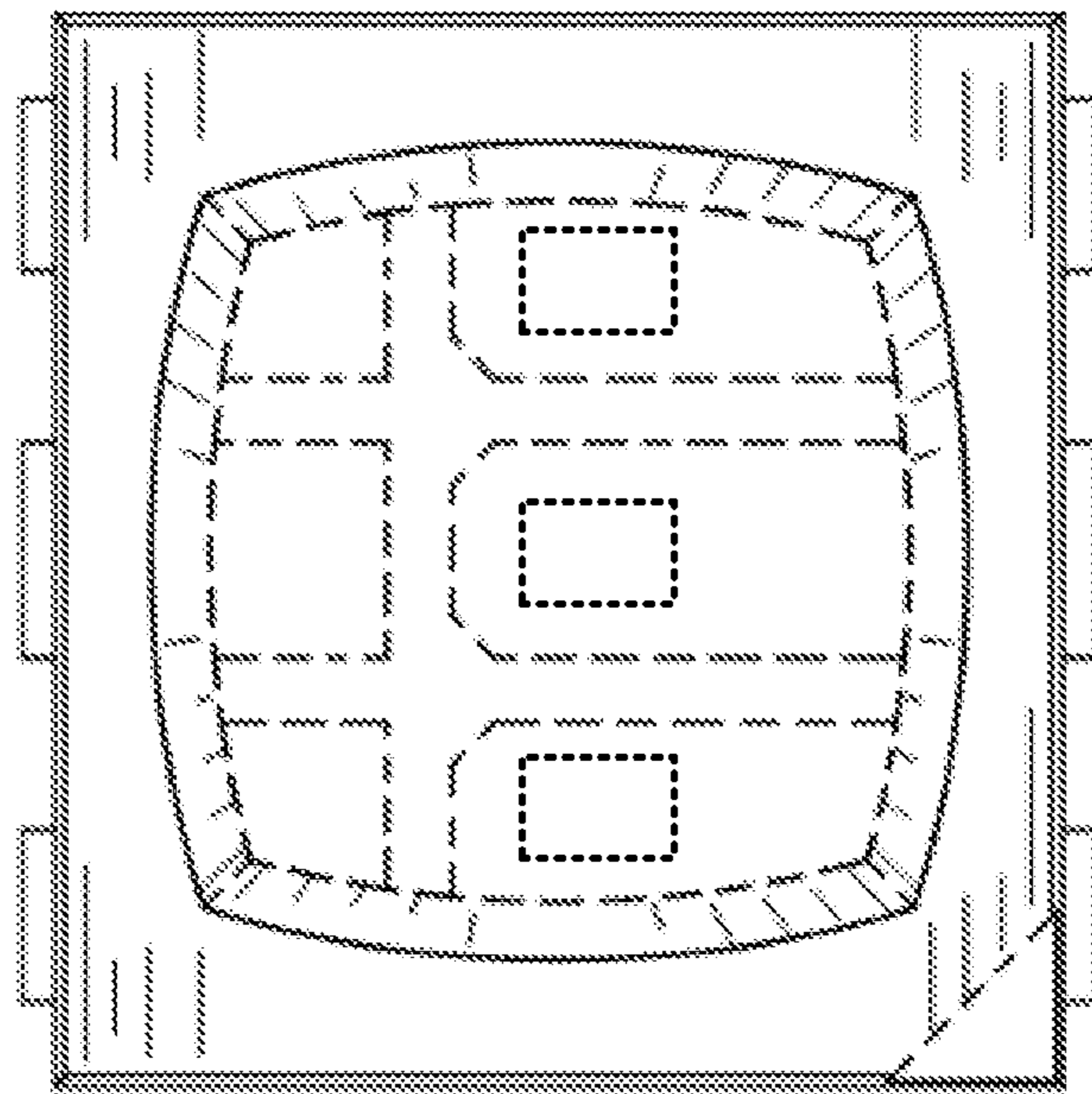


FIG. 3

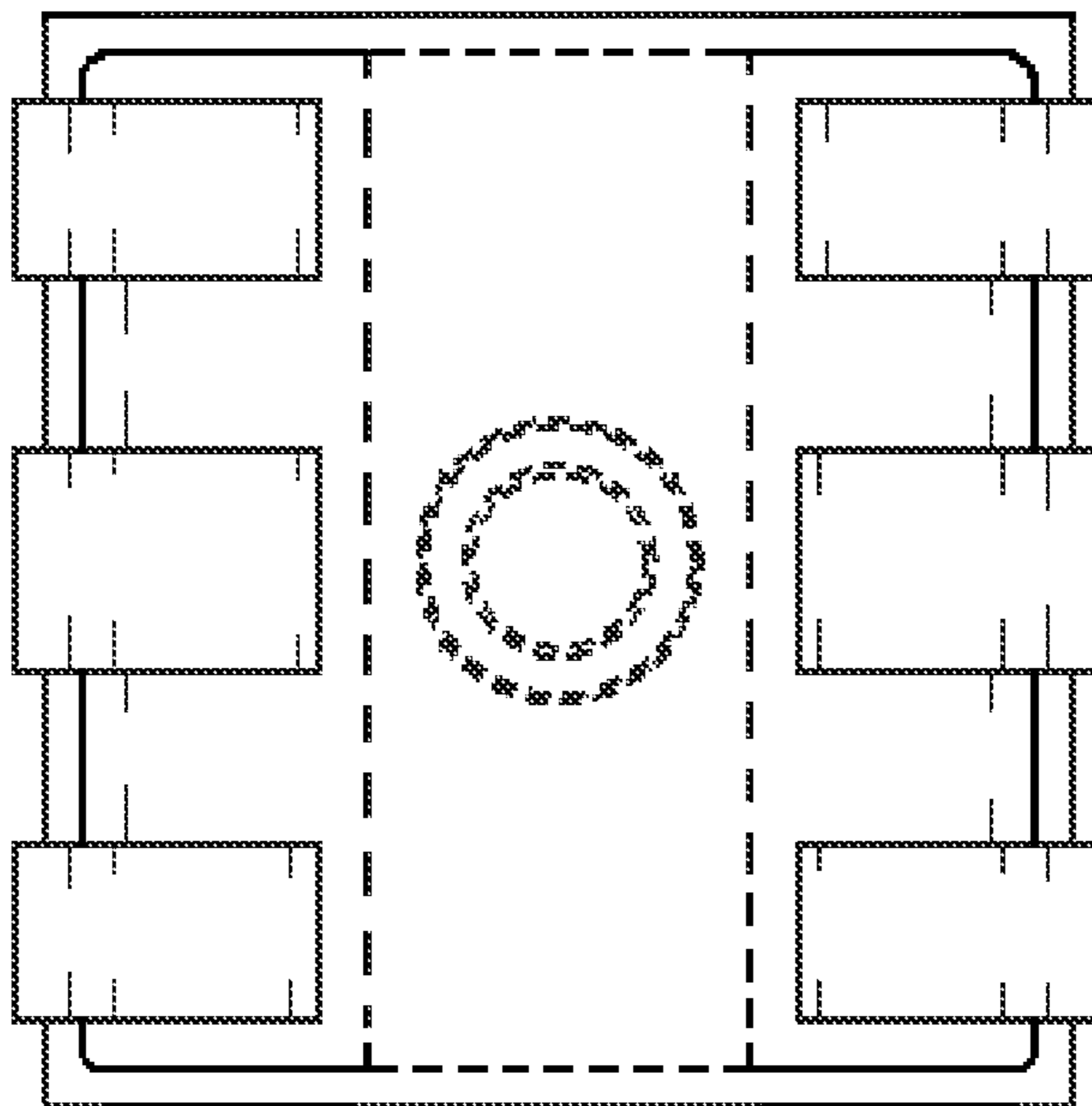


FIG. 4

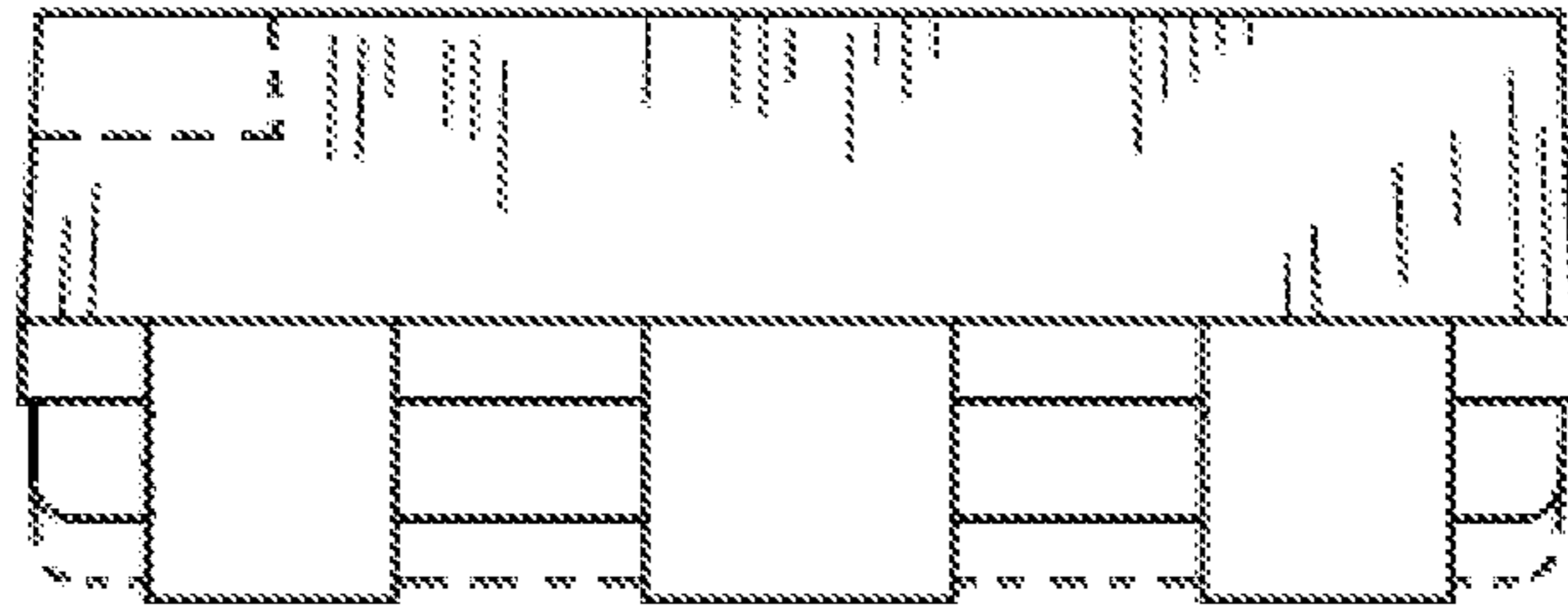


FIG. 5

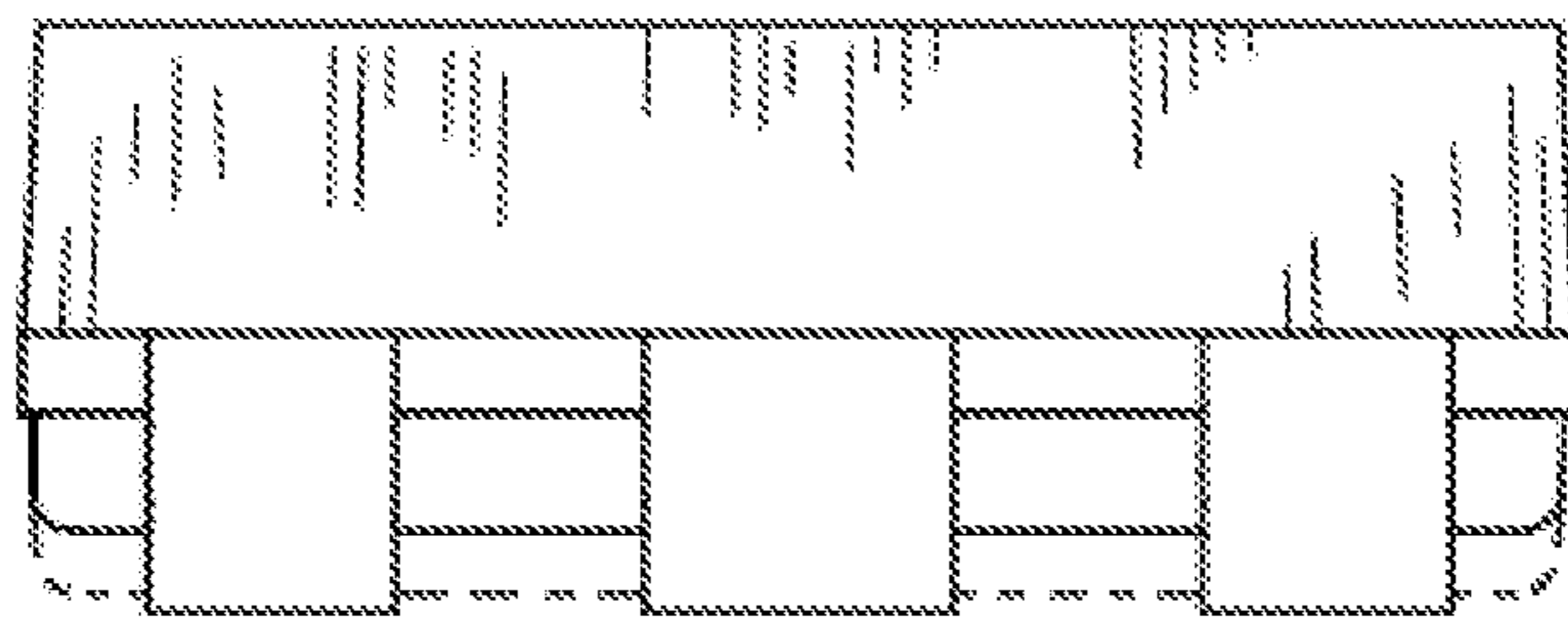


FIG. 6

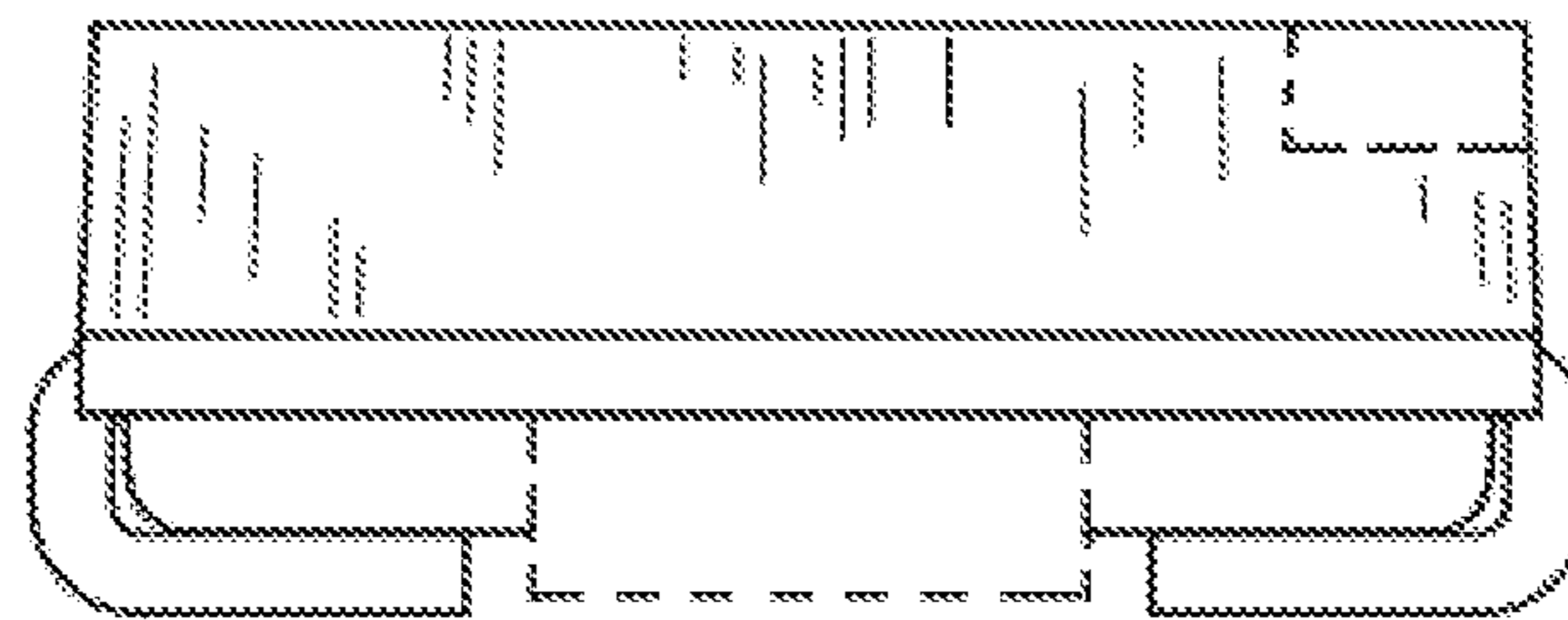


FIG. 7

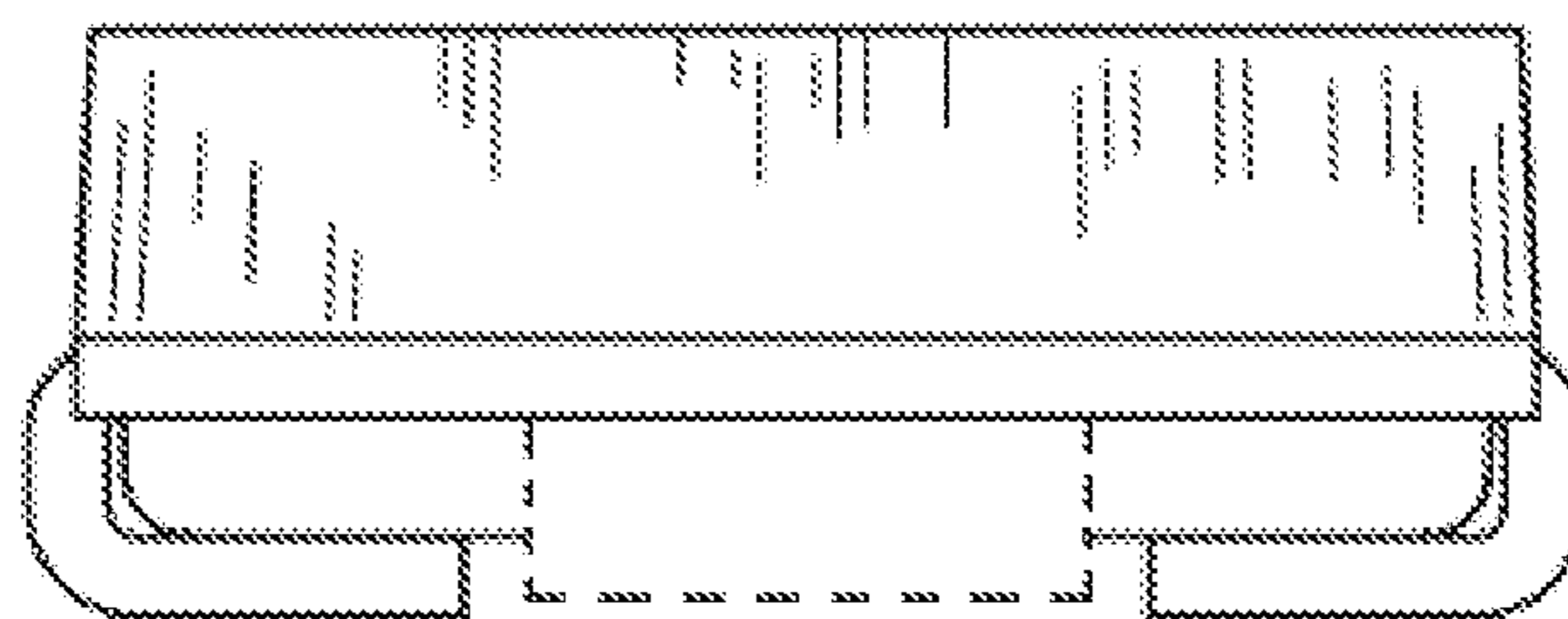


FIG. 8