



US00D691099S

(12) **United States Design Patent**
Li et al.

(10) **Patent No.:** **US D691,099 S**
(45) **Date of Patent:** **** Oct. 8, 2013**

(54) **SWITCH**

(71) Applicants: **Paul Li**, Milwaukee, WI (US); **Marc Beroukas**, Germantown, WI (US)

(72) Inventors: **Paul Li**, Milwaukee, WI (US); **Marc Beroukas**, Germantown, WI (US)

(73) Assignee: **Raffel Systems, LLC**, Germantown, WI (US)

(**) Term: **14 Years**

(21) Appl. No.: **29/445,870**

(22) Filed: **Feb. 18, 2013**

(51) **LOC (9) Cl.** **13-03**

(52) **U.S. Cl.**
USPC **D13/174**

(58) **Field of Classification Search**
USPC D13/171, 174; 307/139, 157; 315/209 R,
315/224, 246, 291, 294, 295; 200/5 R, 5 A,
200/302.2, 520, 530, 293, 296, 308, 310,
200/314, 329, 341
See application file for complete search history.

(56) **References Cited**

U.S. PATENT DOCUMENTS

D317,137	S	*	5/1991	Kulikowski et al.	D10/108
D421,966	S	*	3/2000	Allen et al.	D13/174
6,087,605	A	*	7/2000	Heidenfels et al.	200/345
D434,393	S	*	11/2000	Gehr	D13/174

D440,947	S	*	4/2001	Culberson et al.	D13/171
D463,381	S	*	9/2002	Westermann	D13/167
D469,411	S	*	1/2003	Decosse	D13/174
D496,336	S	*	9/2004	Wang	D13/171
6,800,819	B2	*	10/2004	Sato et al.	200/5 R
D550,298	S	*	9/2007	Luciano et al.	D21/385
D550,304	S	*	9/2007	Luciano et al.	D21/385
D556,268	S	*	11/2007	Luciano et al.	D21/385
7,378,605	B2	*	5/2008	Lo	200/5 R
8,071,899	B2	*	12/2011	Lo	200/296
D685,333	S	*	7/2013	Beroukas et al.	D13/174
2011/0108403	A1	*	5/2011	Kukita	200/341

* cited by examiner

Primary Examiner — Selina Sikder

(74) *Attorney, Agent, or Firm* — Casimir Jones S.C.

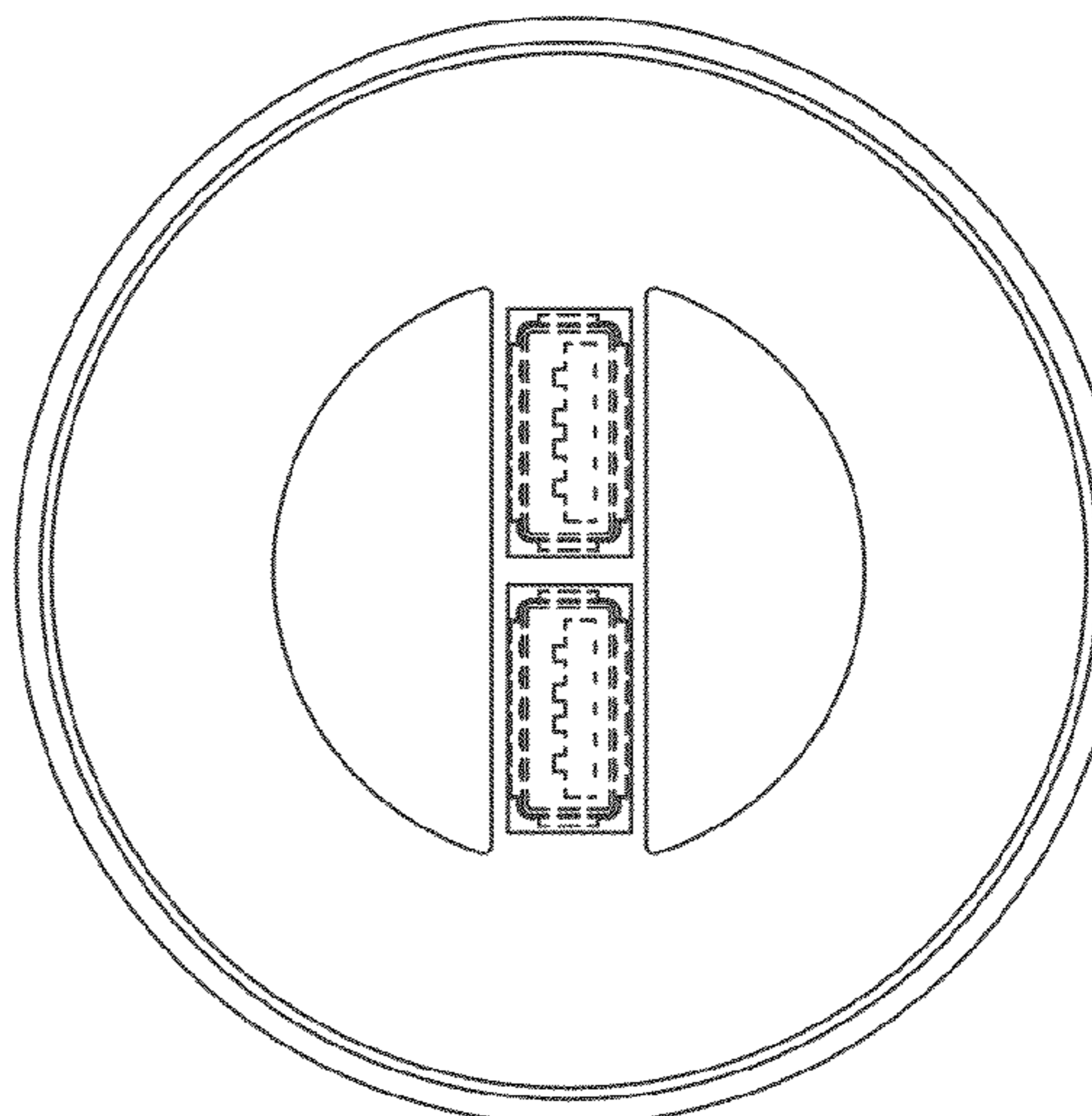
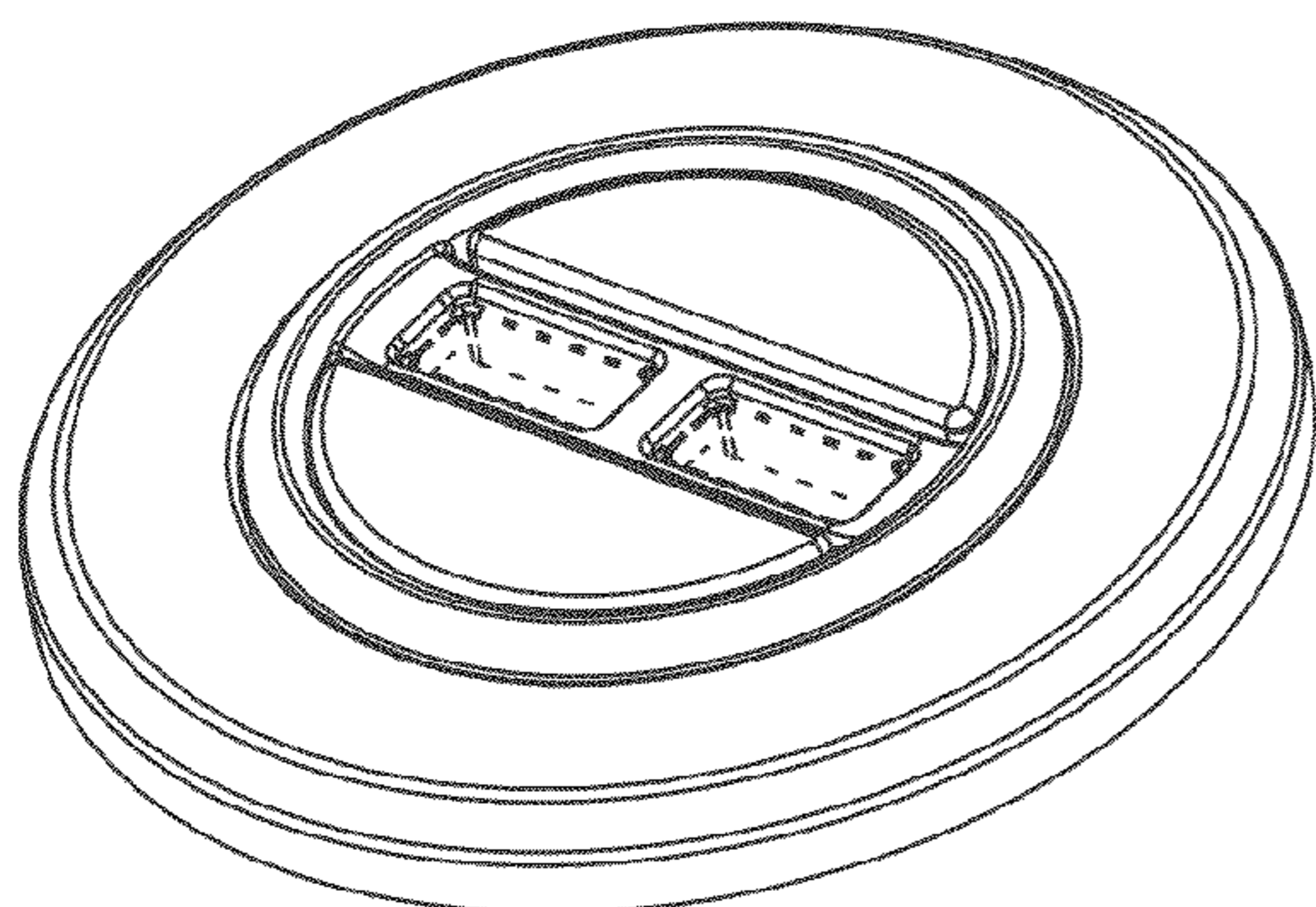
(57) **CLAIM**

The ornamental design for a switch, as shown and described.

DESCRIPTION

FIG. 1 is a top perspective view showing our new design;
FIG. 2 is a top plan view thereof;
FIG. 3 is a bottom plan view thereof;
FIG. 4 is a front elevational view thereof, the front and rear elevational views being identical; and,
FIG. 5 is a left side elevational view thereof, the left side and right side elevational views being identical.
The broken lines in the drawings depict unclaimed environmental subject matter.

1 Claim, 1 Drawing Sheet



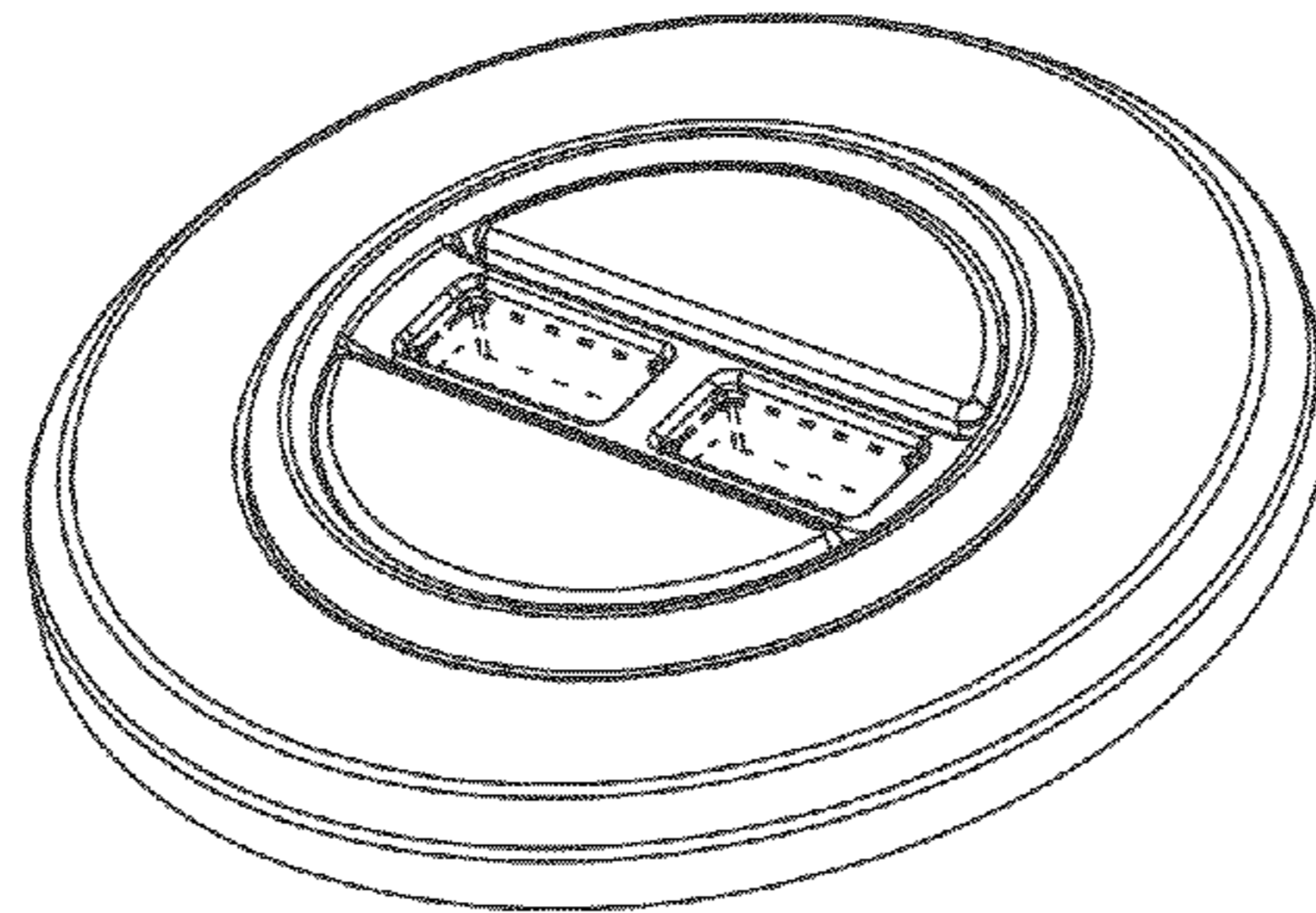


FIG. 1

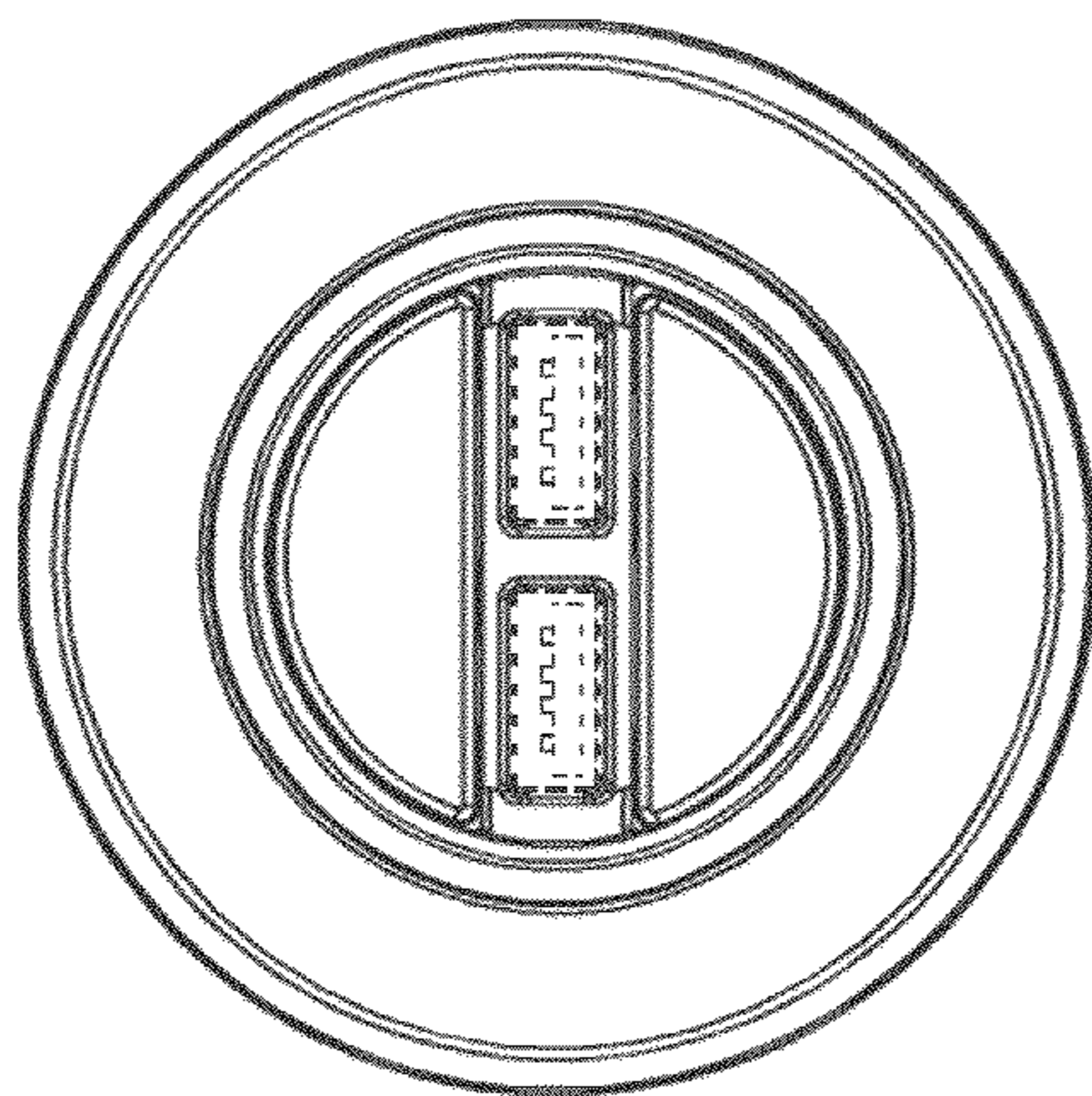


FIG. 2

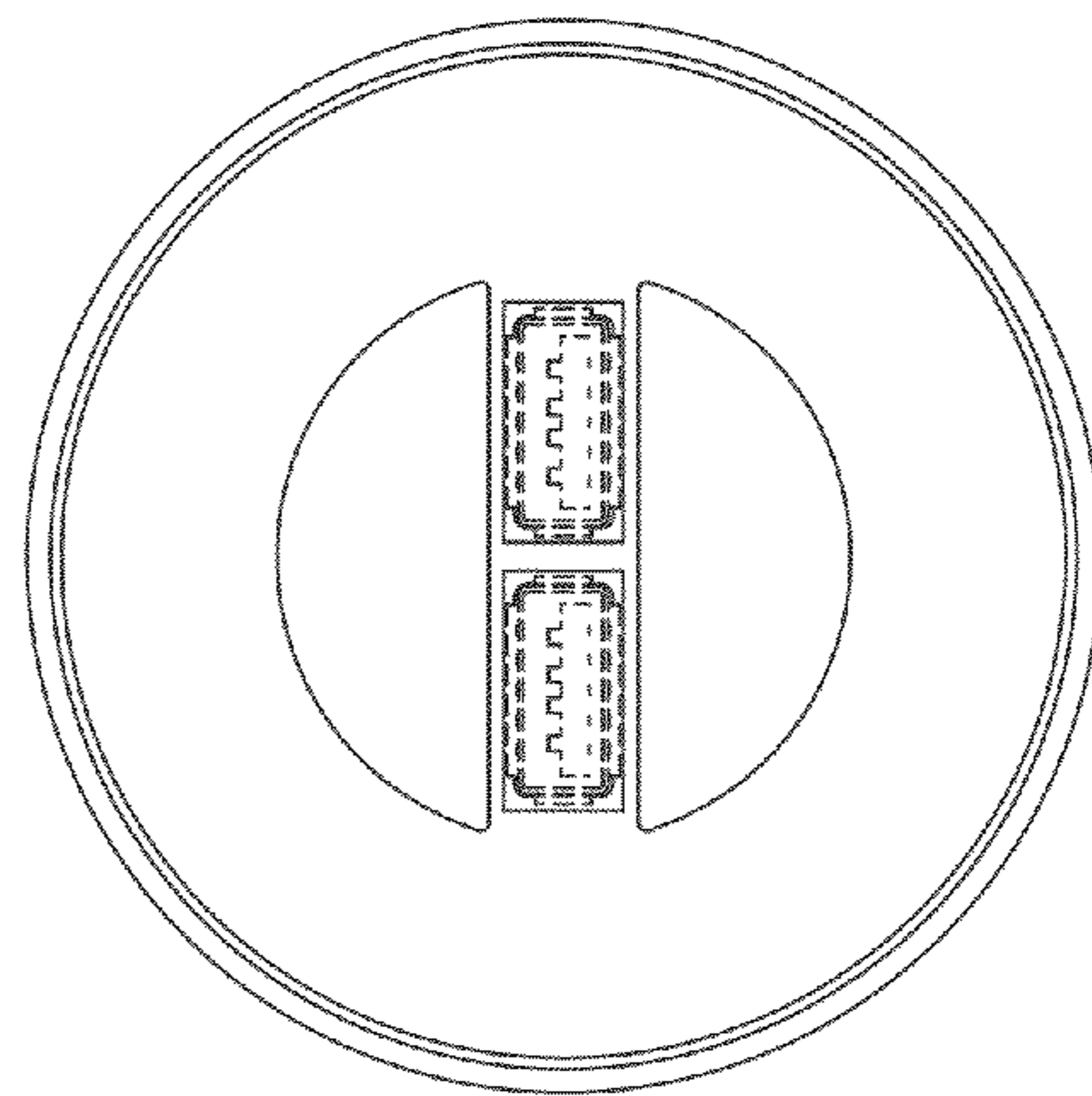


FIG. 3



FIG. 4

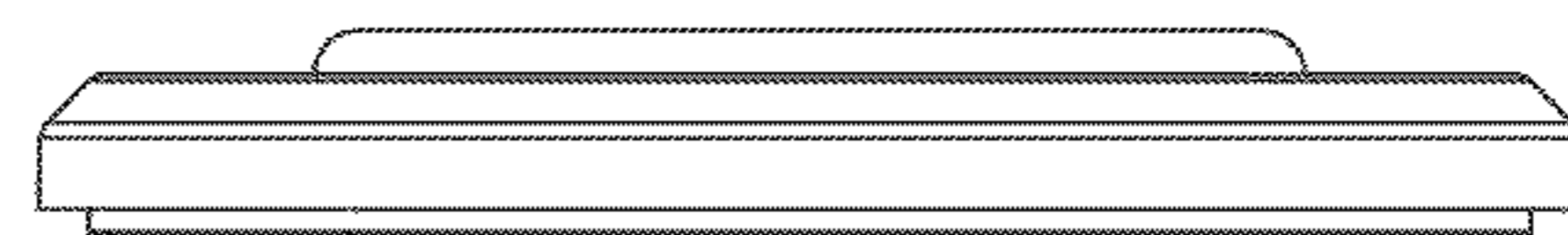


FIG. 5