



US00D691098S

(12) **United States Design Patent**  
**Li et al.**

(10) **Patent No.:** **US D691,098 S**

(45) **Date of Patent:** **\*\* Oct. 8, 2013**

(54) **SWITCH**

(71) Applicants: **Paul Li**, Milwaukee, WI (US); **Marc Beroukas**, Germantown, WI (US)

(72) Inventors: **Paul Li**, Milwaukee, WI (US); **Marc Beroukas**, Germantown, WI (US)

(73) Assignee: **Raffel Systems, LLC**, Germantown, WI (US)

(\*\*) Term: **14 Years**

(21) Appl. No.: **29/433,788**

(22) Filed: **Oct. 4, 2012**

(51) **LOC (9) Cl.** ..... **13-03**

(52) **U.S. Cl.**  
USPC ..... **D13/174**

(58) **Field of Classification Search**  
USPC .... D13/171, 174; 307/139, 157; 315/209 R,  
315/224, 246, 291, 294, 295; 200/5 R, 5 A,  
200/302.2, 520, 530, 293, 296, 308, 310,  
200/314, 329, 341

See application file for complete search history.

(56) **References Cited**

U.S. PATENT DOCUMENTS

D317,137 S \* 5/1991 Kulikowski et al. .... D10/108  
D421,966 S \* 3/2000 Allen et al. .... D13/174  
6,087,605 A \* 7/2000 Heidenfels et al. .... 200/345  
D434,393 S \* 11/2000 Gehr ..... D13/174

D440,947 S \* 4/2001 Culberson et al. .... D13/171  
D463,381 S \* 9/2002 Westermann ..... D13/167  
D469,411 S \* 1/2003 Decosse ..... D13/174  
D496,336 S \* 9/2004 Wang ..... D13/171  
6,800,819 B2 \* 10/2004 Sato et al. .... 200/5 R  
D550,298 S \* 9/2007 Luciano et al. .... D21/385  
D550,304 S \* 9/2007 Luciano et al. .... D21/385  
D556,268 S \* 11/2007 Luciano et al. .... D21/385  
7,378,605 B2 \* 5/2008 Lo ..... 200/5 R  
8,071,899 B2 \* 12/2011 Lo ..... 200/296  
D685,333 S \* 7/2013 Beroukas et al. .... D13/174  
2011/0108403 A1 \* 5/2011 Kukita ..... 200/341

\* cited by examiner

*Primary Examiner* — Selina Sikder

(74) *Attorney, Agent, or Firm* — Casimir Jones S.C.

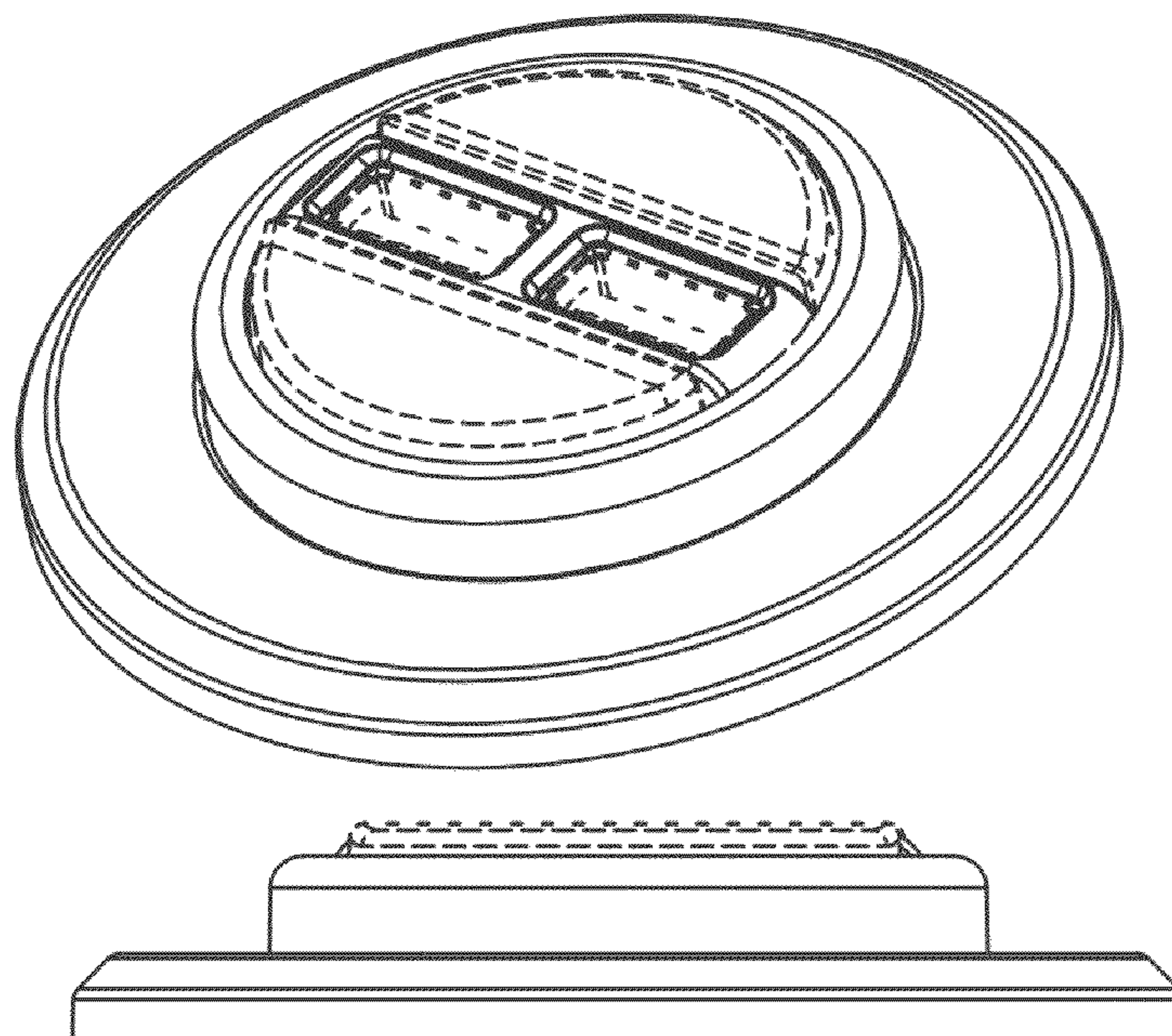
(57) **CLAIM**

The ornamental design for a switch, as shown and described.

**DESCRIPTION**

FIG. 1 is a top perspective view showing our new design;  
FIG. 2 is a top plan view thereof;  
FIG. 3 is a bottom plan view thereof;  
FIG. 4 is a front elevational view thereof, the front and rear  
elevational views being identical; and,  
FIG. 5 is a left side elevational view thereof, the left side and  
right side elevational views being identical.  
The broken lines in the drawings depict unclaimed environ-  
mental subject matter.

**1 Claim, 1 Drawing Sheet**



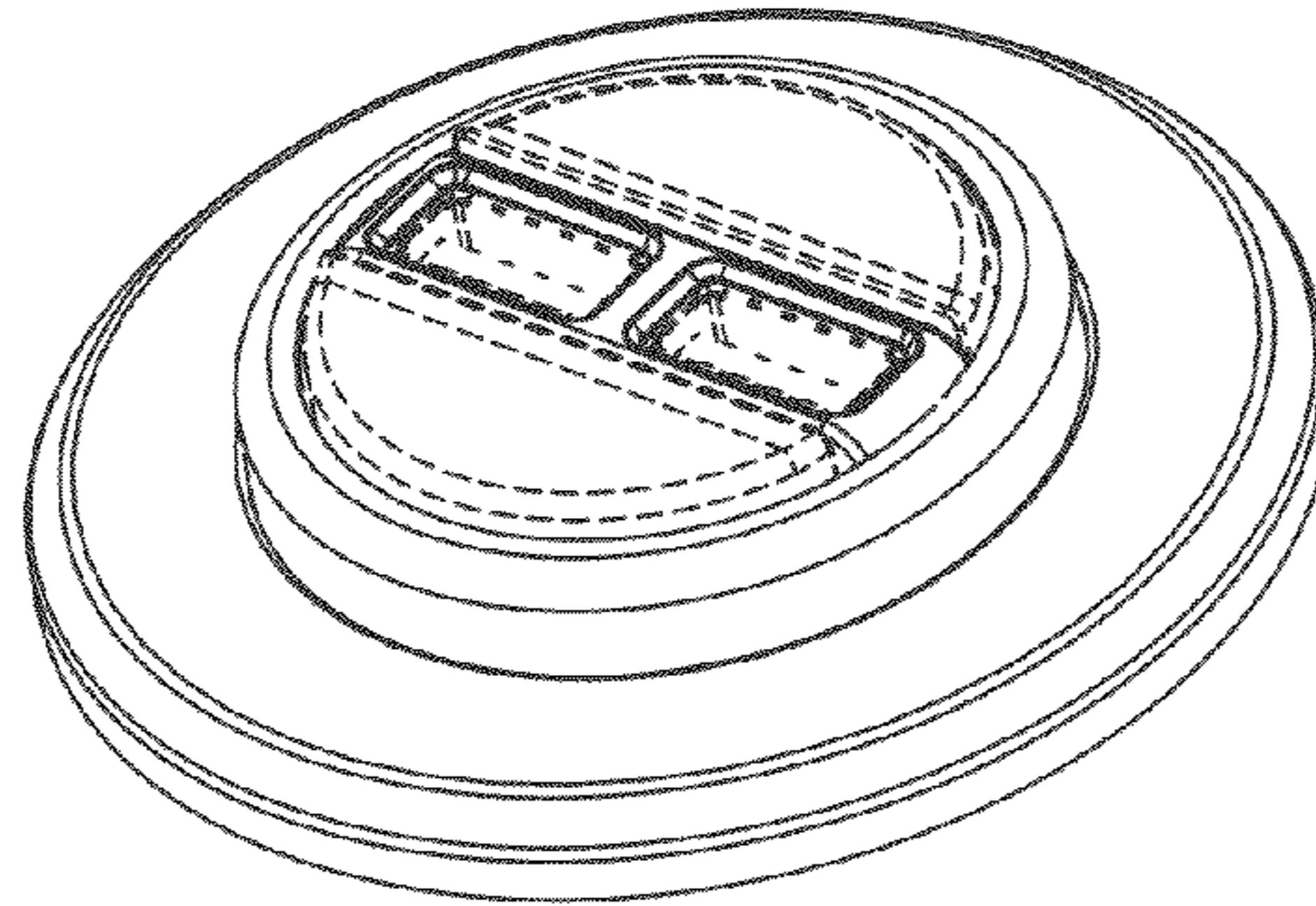


FIG. 1

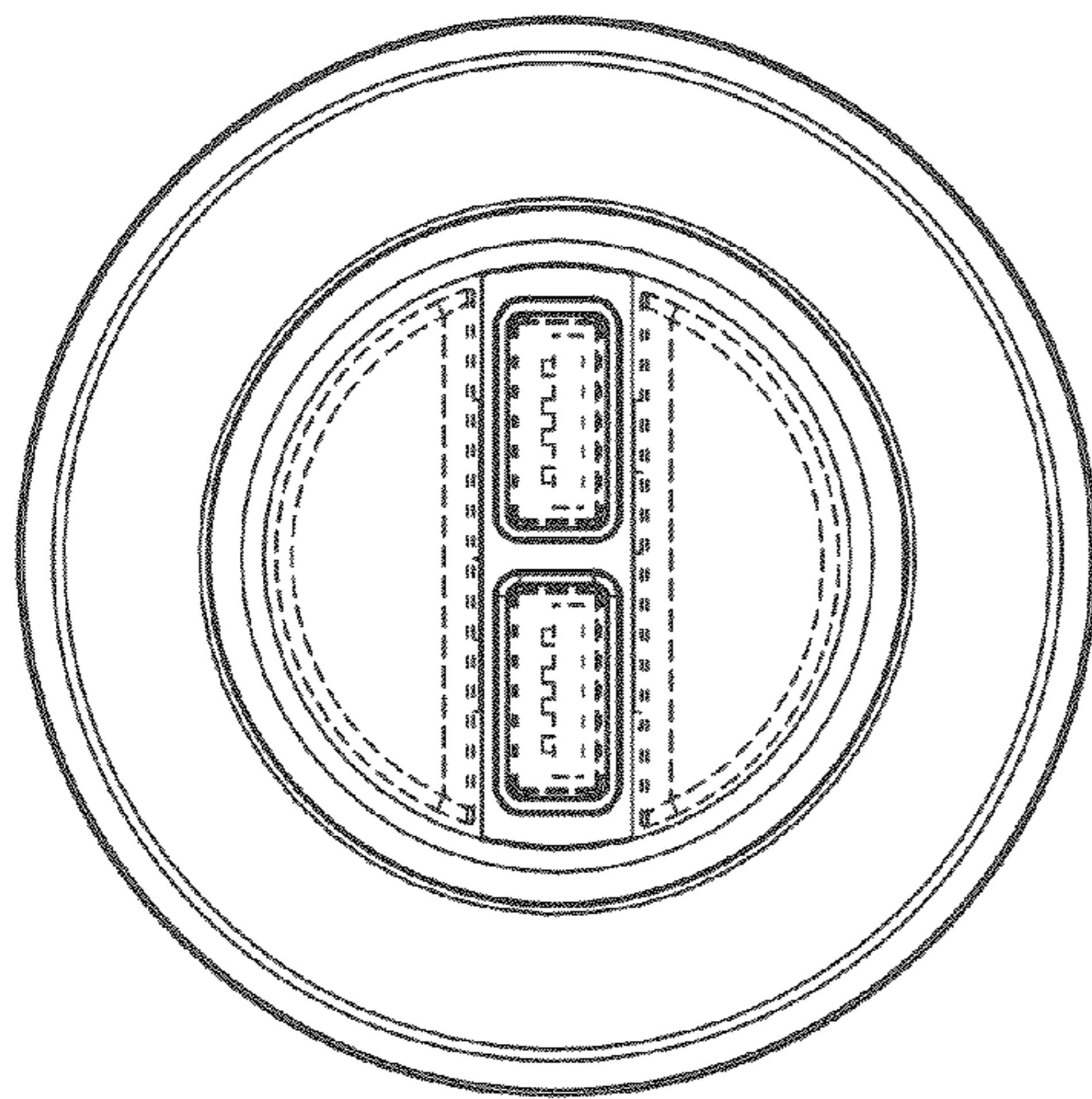


FIG. 2

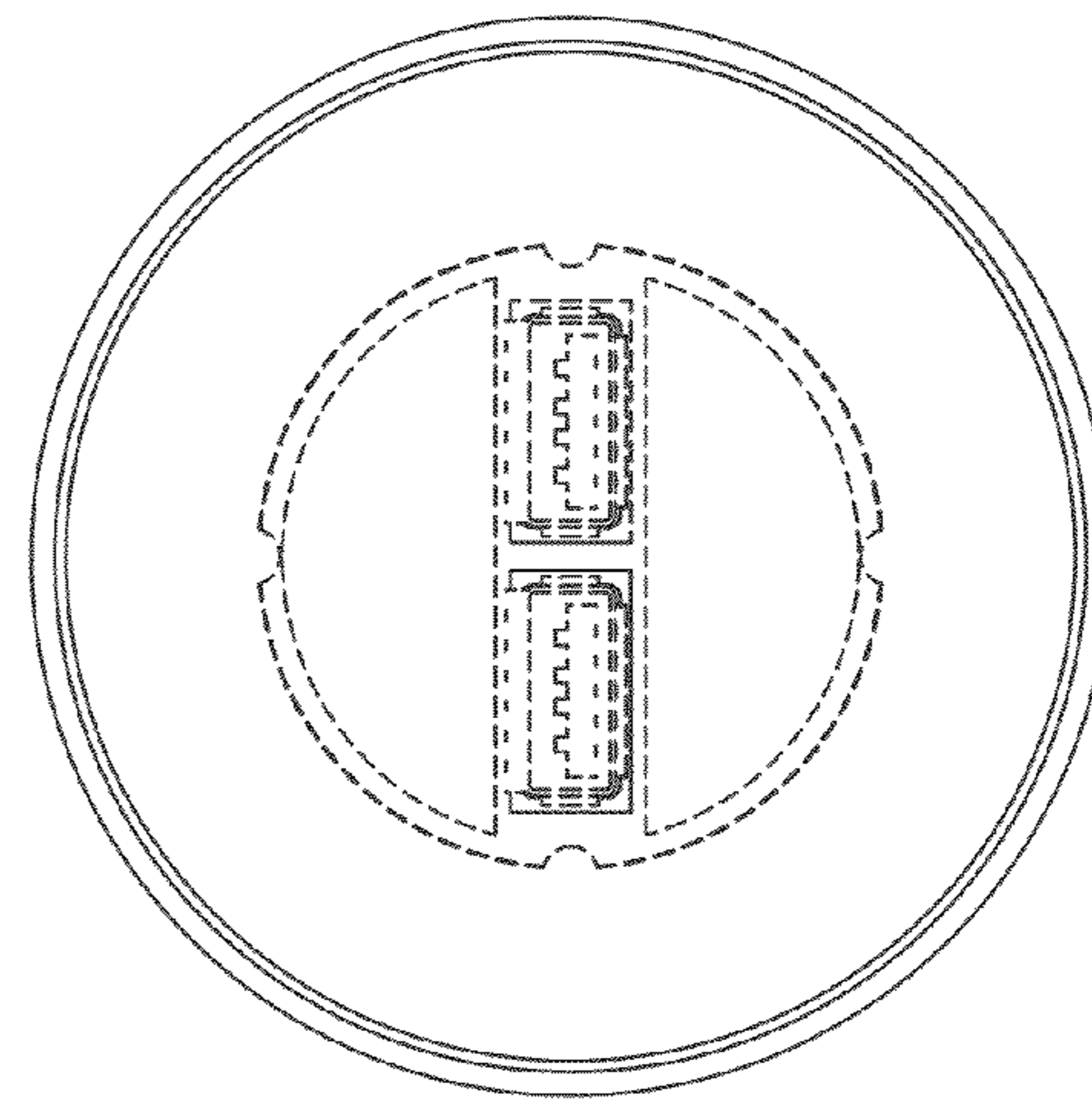


FIG. 3

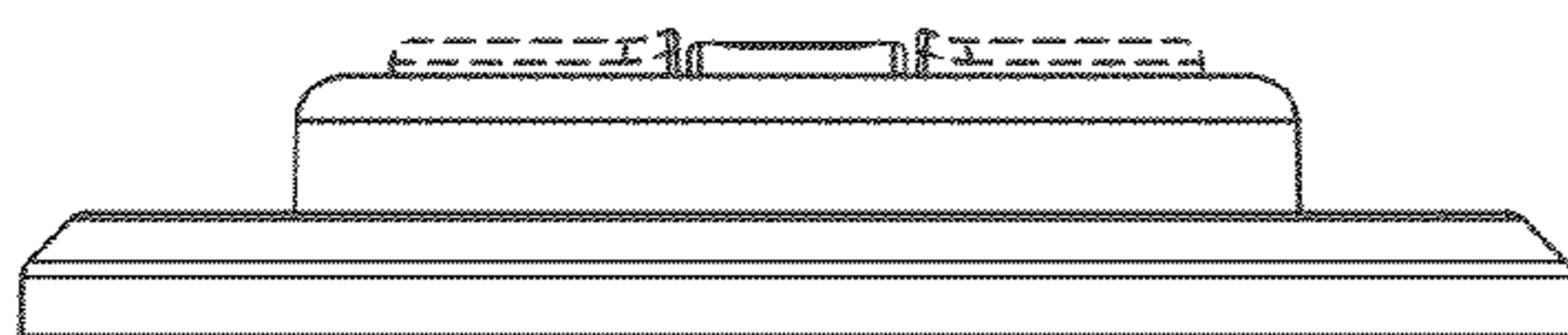


FIG. 4

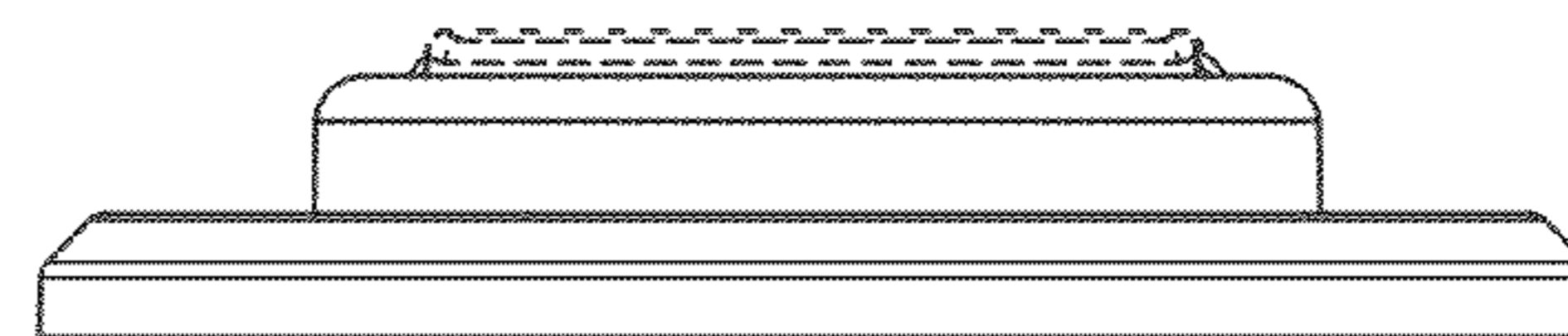


FIG. 5