

US00D691096S

(12) **United States Design Patent**  
**Beroukas et al.**

(10) **Patent No.:** **US D691,096 S**

(45) **Date of Patent:** **\*\* Oct. 8, 2013**

(54) **CONTROL PANEL**

(71) Applicants: **Marc Beroukas**, Germantown, WI (US);  
**Torrin Santy**, West Bend, WI (US)

(72) Inventors: **Marc Beroukas**, Germantown, WI (US);  
**Torrin Santy**, West Bend, WI (US)

(73) Assignee: **Raffel Systems, LLC**, Germantown, WI (US)

(\*\*) Term: **14 Years**

(21) Appl. No.: **29/441,218**

(22) Filed: **Jan. 2, 2013**

(51) **LOC (9) Cl.** ..... **13-03**

(52) **U.S. Cl.**  
USPC ..... **D13/162**

(58) **Field of Classification Search**  
USPC ..... D13/162; D10/49, 50; D14/443;  
340/500; 341/22, 34; 345/156, 173; 361/600,  
361/601, 622, 627, 628, 679.01; 700/17,  
700/83; 715/700, 810

See application file for complete search history.

(56) **References Cited**

U.S. PATENT DOCUMENTS

D336,464	S	*	6/1993	Clough et al.	.....	D14/341
D367,430	S	*	2/1996	Greenberg et al.	.....	D10/49
5,633,660	A	*	5/1997	Hansen et al.	.....	345/173
D436,579	S	*	1/2001	Mayo et al.	.....	D13/162
D513,497	S	*	1/2006	Whitehouse	.....	D13/162
2010/0079935	A1	*	4/2010	Murakata	.....	361/679.01

\* cited by examiner

*Primary Examiner* — Selina Sikder

(74) *Attorney, Agent, or Firm* — Casimir Jones S.C.

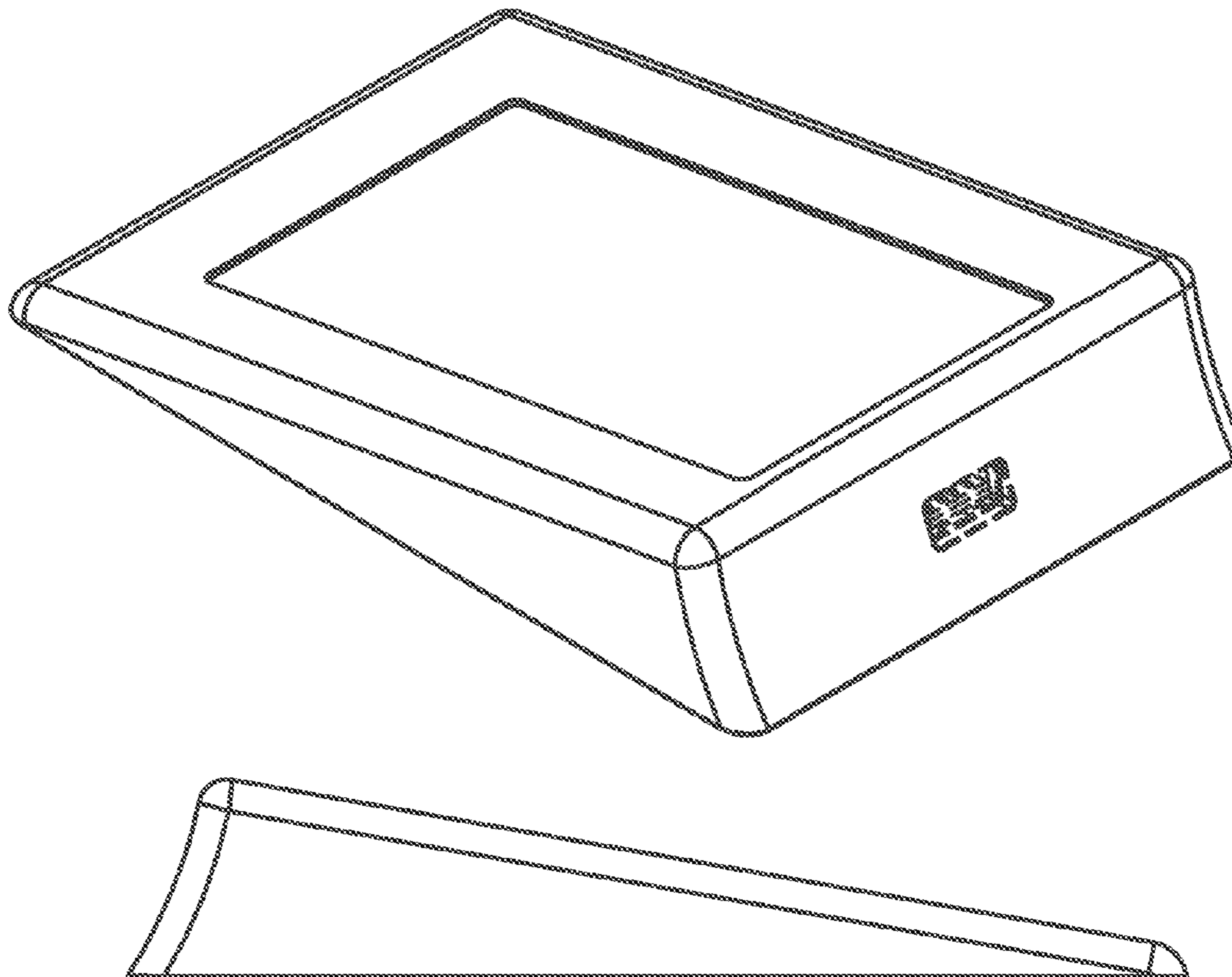
(57) **CLAIM**

The ornamental design for a control panel, as shown and described.

**DESCRIPTION**

FIG. 1 is a top perspective view showing our new design; FIG. 2 is a top plan view thereof; FIG. 3 is a bottom plan view thereof; FIG. 4 is a front elevational view thereof; FIG. 5 is a rear elevational view thereof; and, FIG. 6 is a left side elevational view thereof, the left side and right side elevational views being identical. The broken lines in the drawings depict unclaimed environmental subject matter.

**1 Claim, 3 Drawing Sheets**



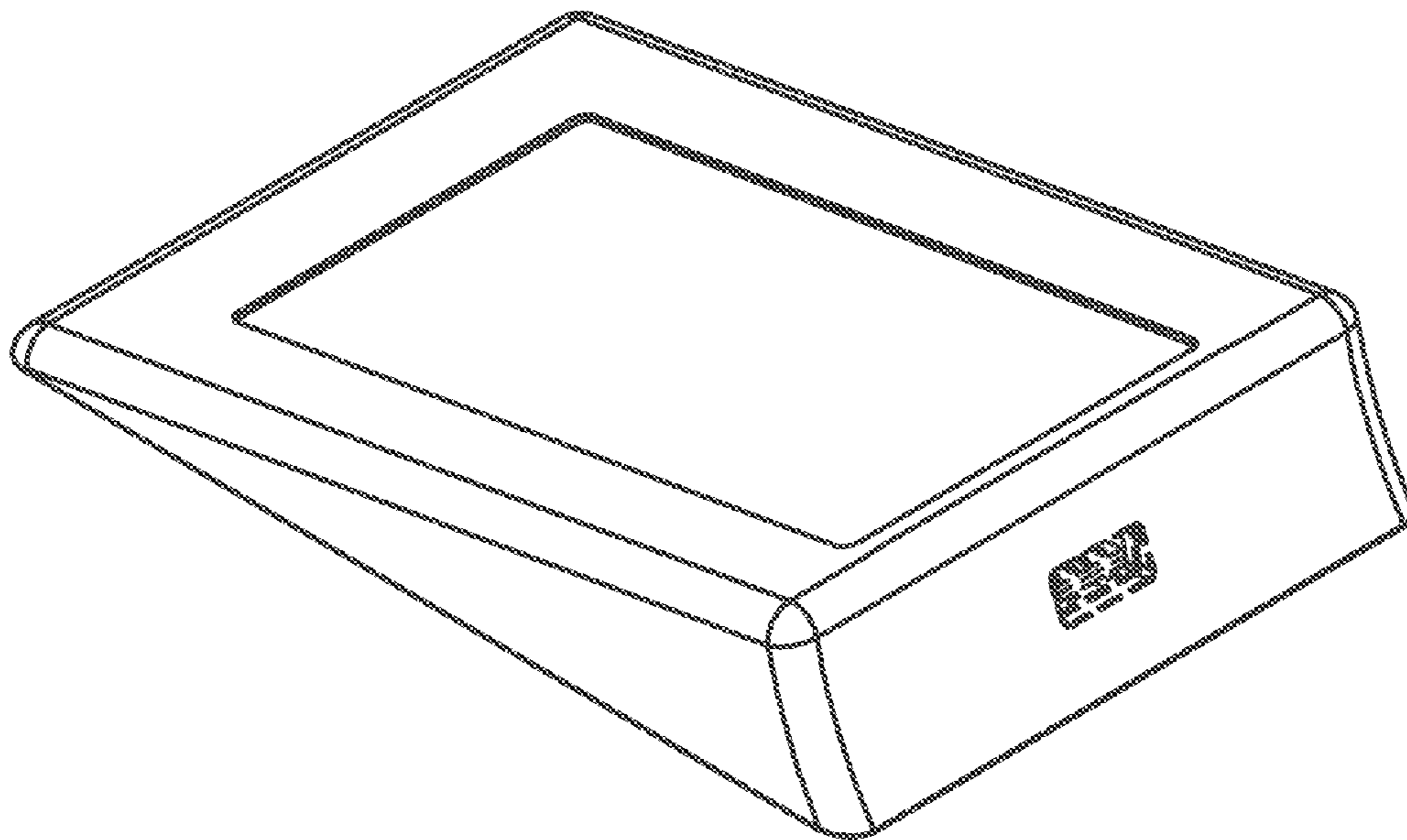


FIG. 1

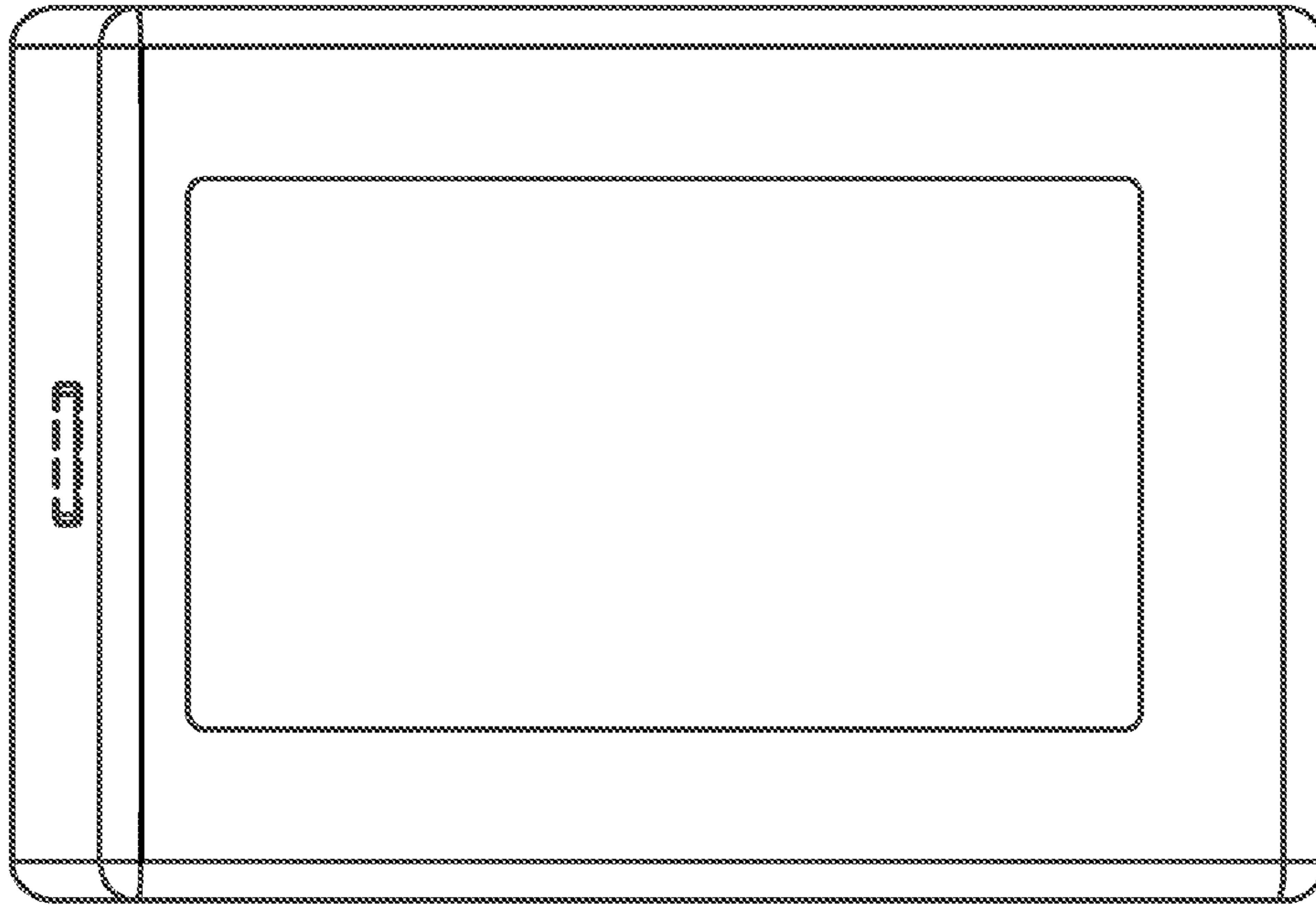


FIG. 2

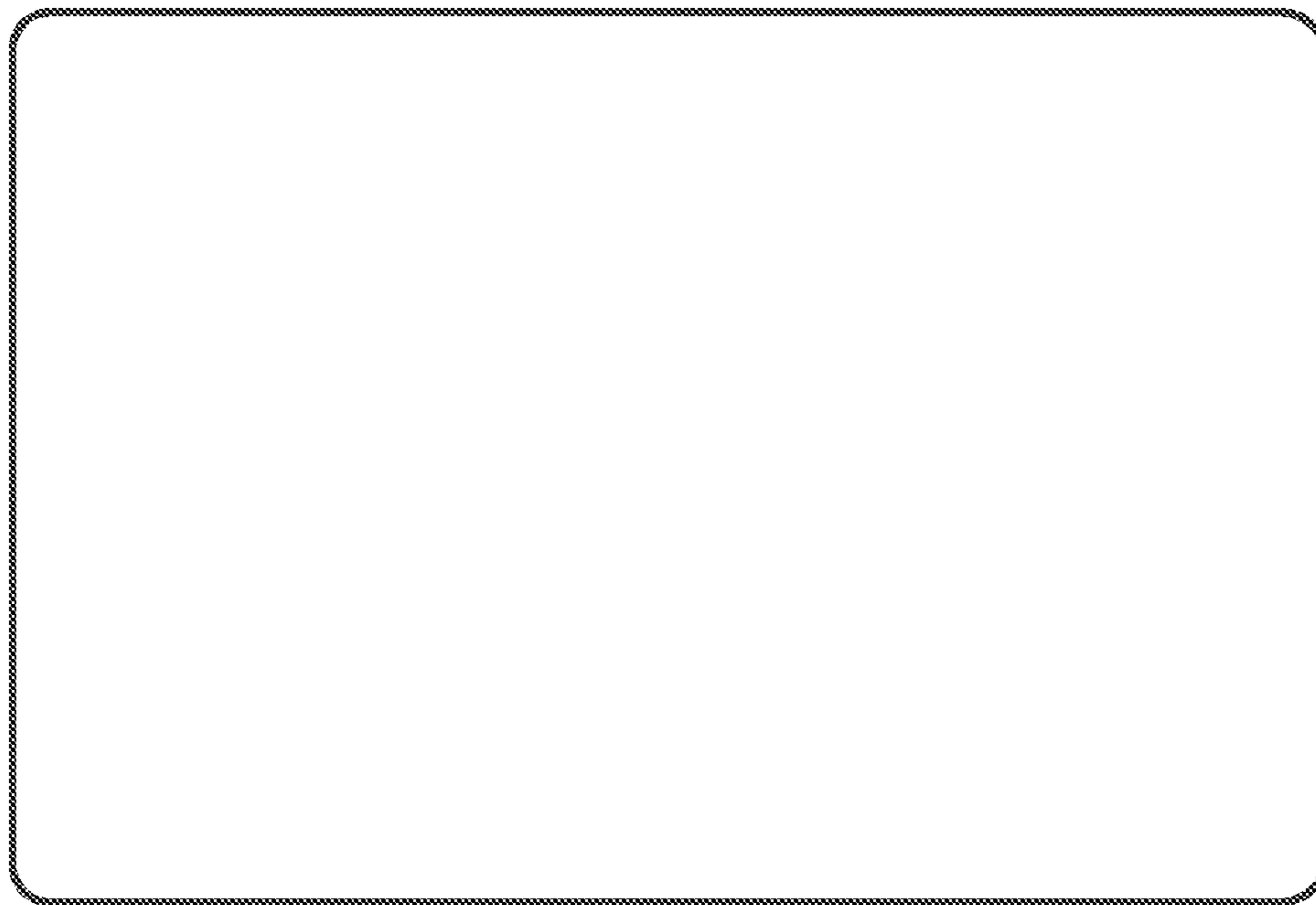


FIG. 3

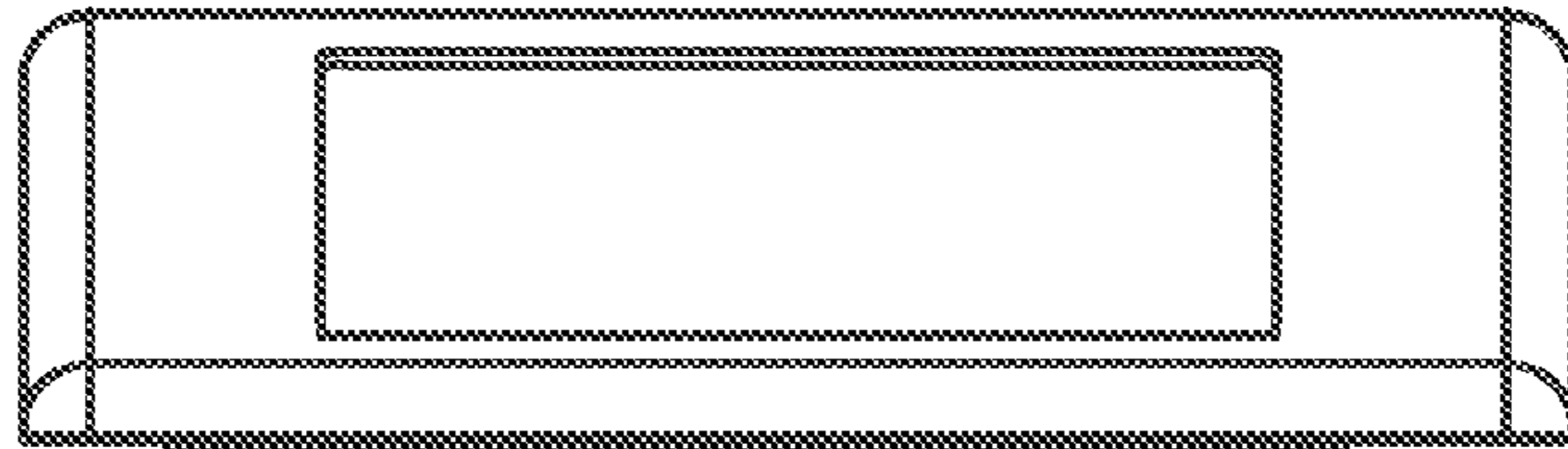


FIG. 4

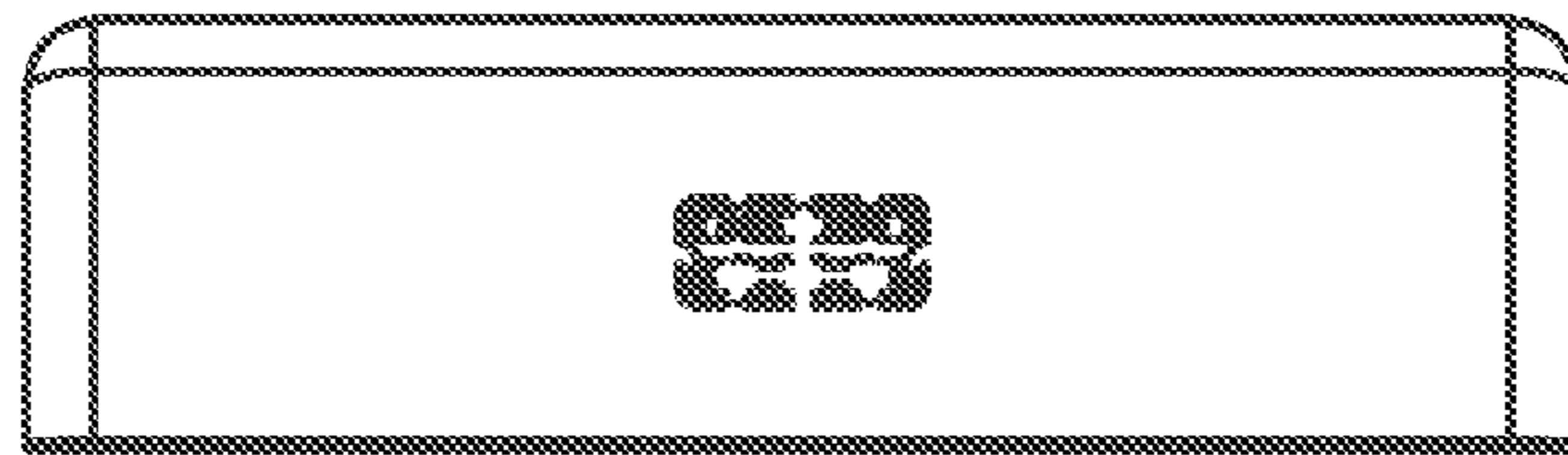


FIG. 5

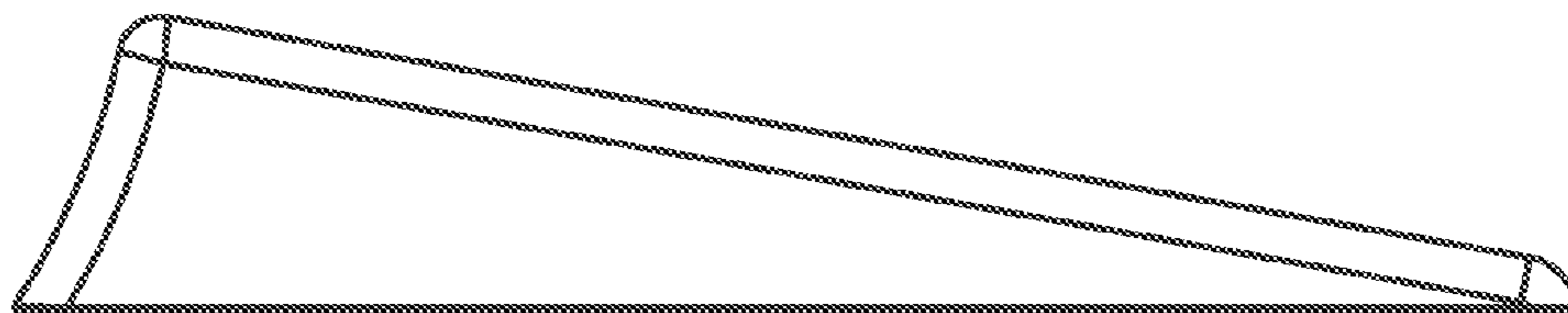


FIG. 6