

US00D691095S

(12) **United States Design Patent**
Izen et al.

(10) **Patent No.:** **US D691,095 S**
(45) **Date of Patent:** **** Oct. 8, 2013**

(54) **CABLE CONNECTOR**

- (71) Applicant: **First Act Inc.**, Boston, MA (US)
- (72) Inventors: **Mark S. Izen**, Chestnut Hill, MA (US);
Craig Small, Framingham, MA (US)
- (73) Assignee: **First Act, Inc.**, Boston, MA (US)
- (**) Term: **14 Years**
- (21) Appl. No.: **29/448,899**
- (22) Filed: **Mar. 14, 2013**

Related U.S. Application Data

- (63) Continuation of application No. 29/410,570, filed on Jan. 9, 2012.
- (51) **LOC (9) Cl.** **13-03**
- (52) **U.S. Cl.**
USPC **D13/147**
- (58) **Field of Classification Search**
USPC D13/133, 146, 147, 153, 154, 155,
D13/156, 184, 199; D14/432, 433, 435,
D14/435.1, 436, 437, 438; 439/66, 74, 77,
439/79, 180, 188, 246, 278, 344-346, 350-353,
439/374, 381, 497, 527, 533, 607.01, 607.02,
439/607.03, 607.04, 607.45, 607.49, 607.58,
439/660, 668, 680, 865-866, 887, 874, 883,
439/892, 894

See application file for complete search history.

(56) **References Cited**

U.S. PATENT DOCUMENTS

D516,032 S *	2/2006	Suckle et al.	D13/147
D519,934 S *	5/2006	Wada et al.	D13/156
D563,899 S *	3/2008	Goetz et al.	D13/154
D576,555 S	9/2008	Bruseloff		
D584,238 S	1/2009	Victor		
D599,742 S	9/2009	Hynecek et al.		
D610,547 S	2/2010	Zhao et al.		
D644,999 S	9/2011	Lee et al.		
D671,076 S	11/2012	Victor		
D675,575 S	2/2013	Izen et al.		
D675,985 S *	2/2013	Izen et al.	D13/133
D675,993 S	2/2013	Izen et al.		
D678,198 S *	3/2013	Izen et al.	D13/133
D678,199 S *	3/2013	Izen et al.	D13/133

* cited by examiner

Primary Examiner — Daniel Bui
(74) *Attorney, Agent, or Firm* — Lando & Anastasi, LLP

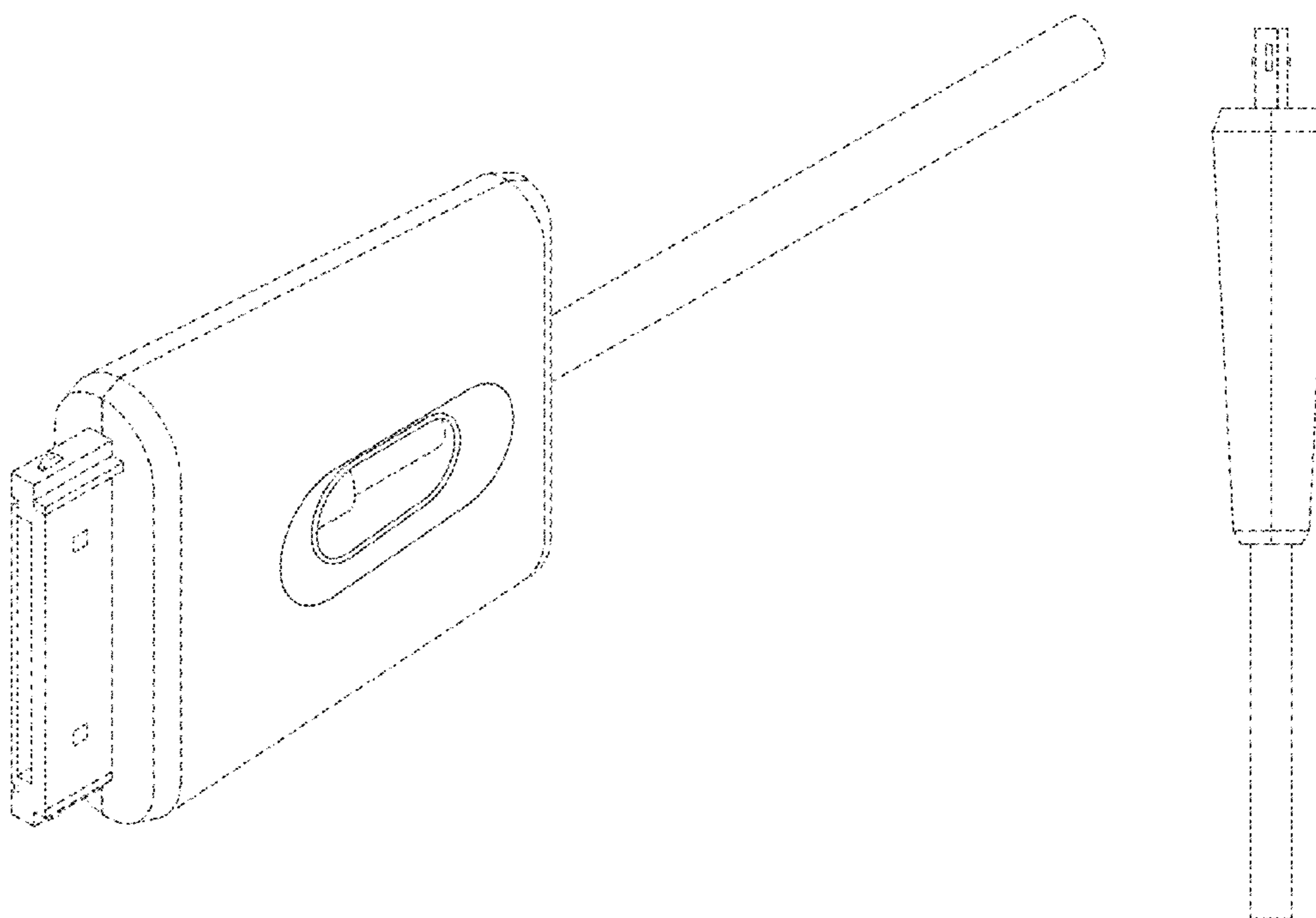
(57) **CLAIM**

The ornamental design for a cable connector, as shown and described.

DESCRIPTION

FIG. 1 is a perspective view of the cable connector according to our new design;
FIG. 2 is a side view thereof;
FIG. 3 is a side view thereof;
FIG. 4 is a top view thereof;
FIG. 5 is a bottom view thereof;
FIG. 6 is a front view thereof; and,
FIG. 7 is a rear view thereof.
The broken line in the drawing views represents unclaimed subject matter only, and forms no part of the claimed design.

1 Claim, 7 Drawing Sheets



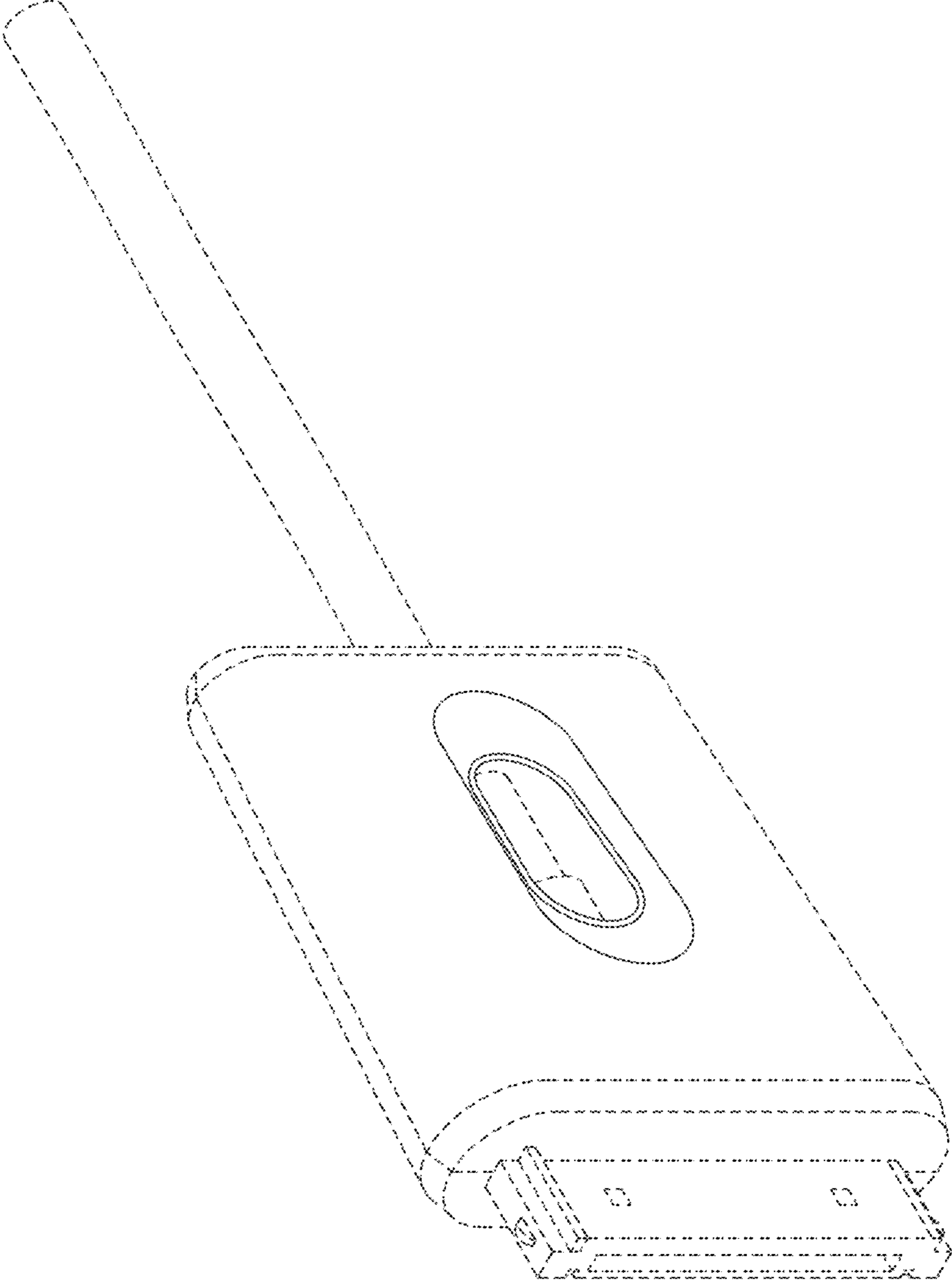


FIG. 1

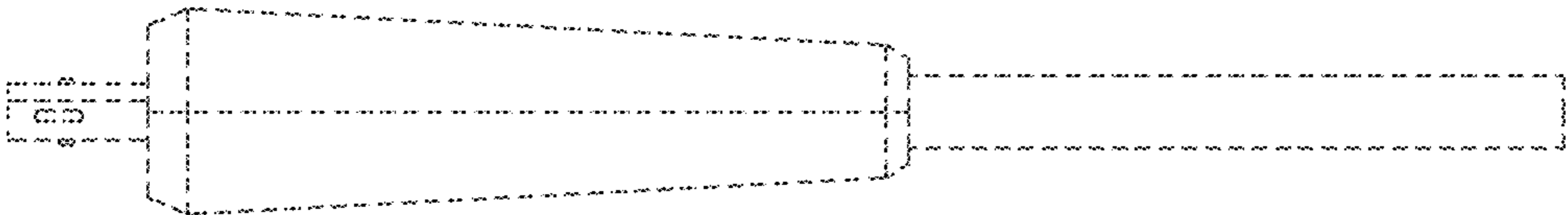


FIG. 2

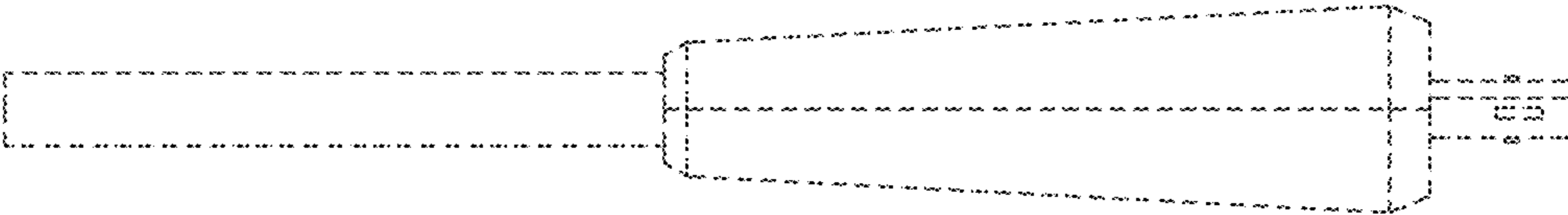


FIG. 3

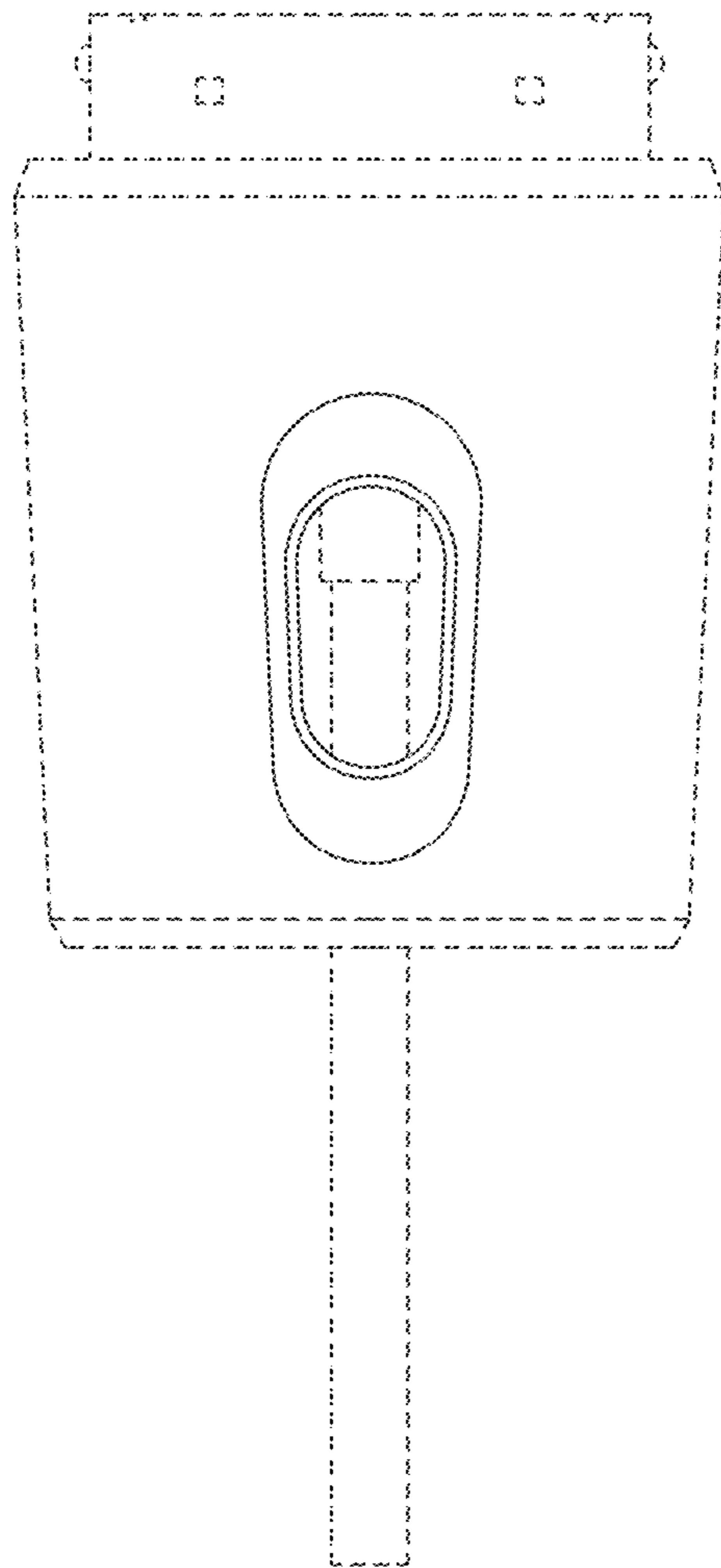


FIG. 4

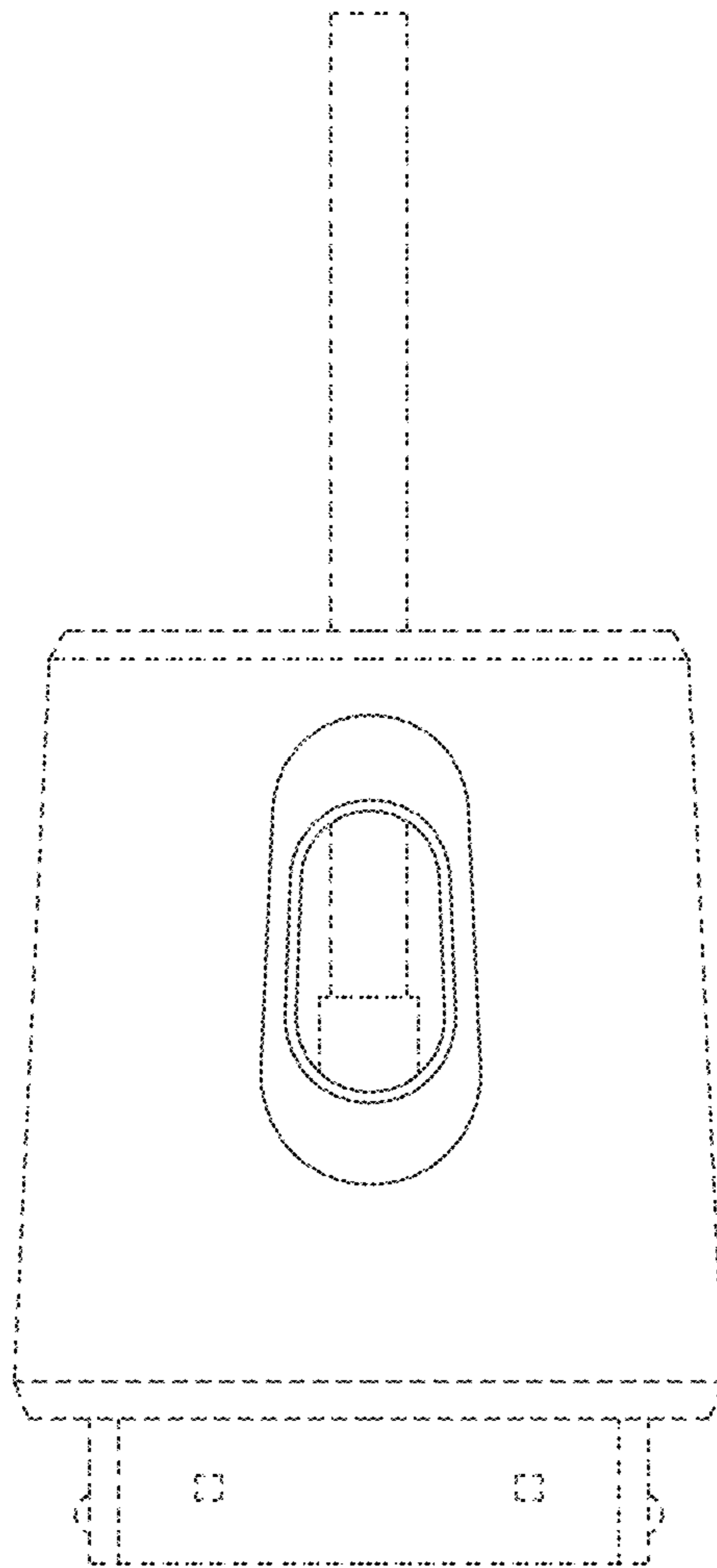


FIG. 5



FIG. 6

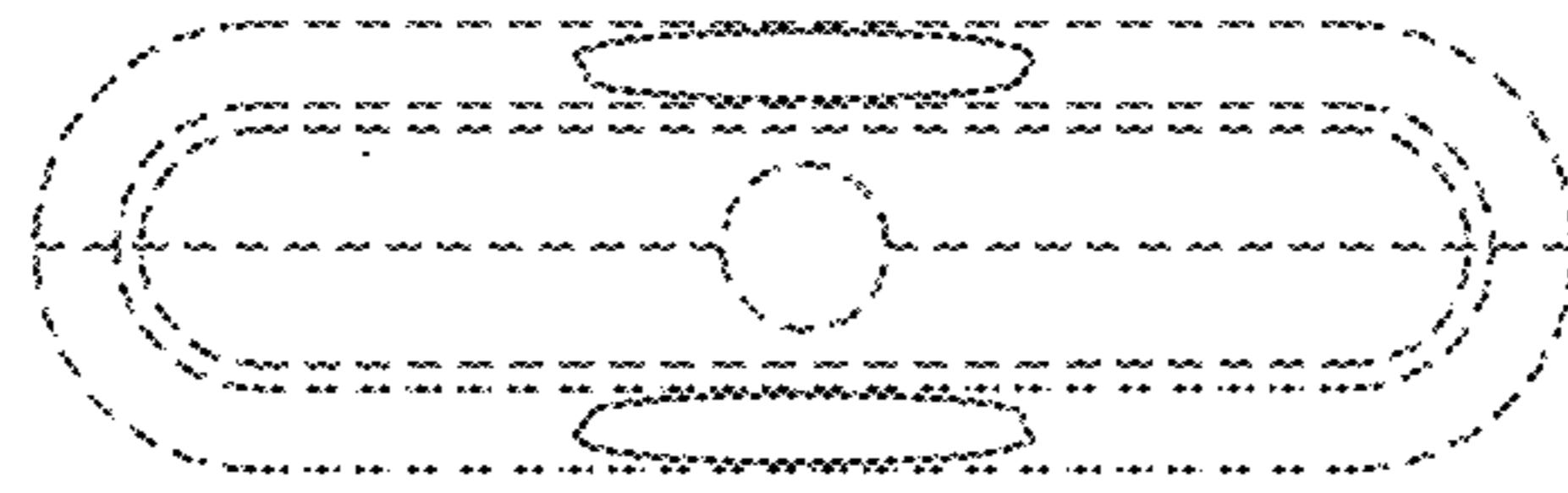


FIG. 7