



US00D691094S

(12) **United States Design Patent**
Fujioka

(10) **Patent No.:** **US D691,094 S**
(45) **Date of Patent:** **** Oct. 8, 2013**

(54) **CASE FOR AN ELECTRONIC DEVICE**

(75) Inventor: **Robb Fujioka**, Manhattan Beach, CA
(US)

(73) Assignee: **Fuhu Holdings, Inc.**, El Segundo, CA
(US)

(**) Term: **14 Years**

(21) Appl. No.: **29/426,642**

(22) Filed: **Jul. 9, 2012**

Related U.S. Application Data

(63) Continuation-in-part of application No. 13/323,719, filed on Dec. 12, 2011, and a continuation-in-part of application No. 29/422,339, filed on May 18, 2012, now Pat. No. Des. 686,579.

(51) **LOC (9) Cl.** **13-03**

(52) **U.S. Cl.**
USPC **D13/147**

(58) **Field of Classification Search**
USPC D13/133, 154, 146, 147, 151, 184, 199;
439/68, 73, 135, 260, 329, 331, 492,
439/495, 526, 570, 862, 155, 460, 578, 597,
439/600, 660, 668, 680
See application file for complete search history.

(56) **References Cited**

U.S. PATENT DOCUMENTS

6,135,822 A * 10/2000 Hwang 439/680
D570,783 S * 6/2008 So D13/147

D585,027 S * 1/2009 Kudo D13/146
D590,775 S * 4/2009 Kudo D13/147
D597,491 S * 8/2009 Sakamoto D13/147
D608,287 S * 1/2010 Zheng et al. D13/147
D611,907 S * 3/2010 Takada et al. D13/147
D611,908 S * 3/2010 Takada et al. D13/147
D649,518 S * 11/2011 Zhu D13/147
D651,177 S * 12/2011 Luo D13/147
D686,578 S * 7/2013 Shih et al. D13/154
D686,579 S * 7/2013 Fujioka D13/154

* cited by examiner

Primary Examiner — Thomas Johannes

(74) *Attorney, Agent, or Firm* — Marc E. Hankin; Kevin Schraven; Hankin Patent Law, APC

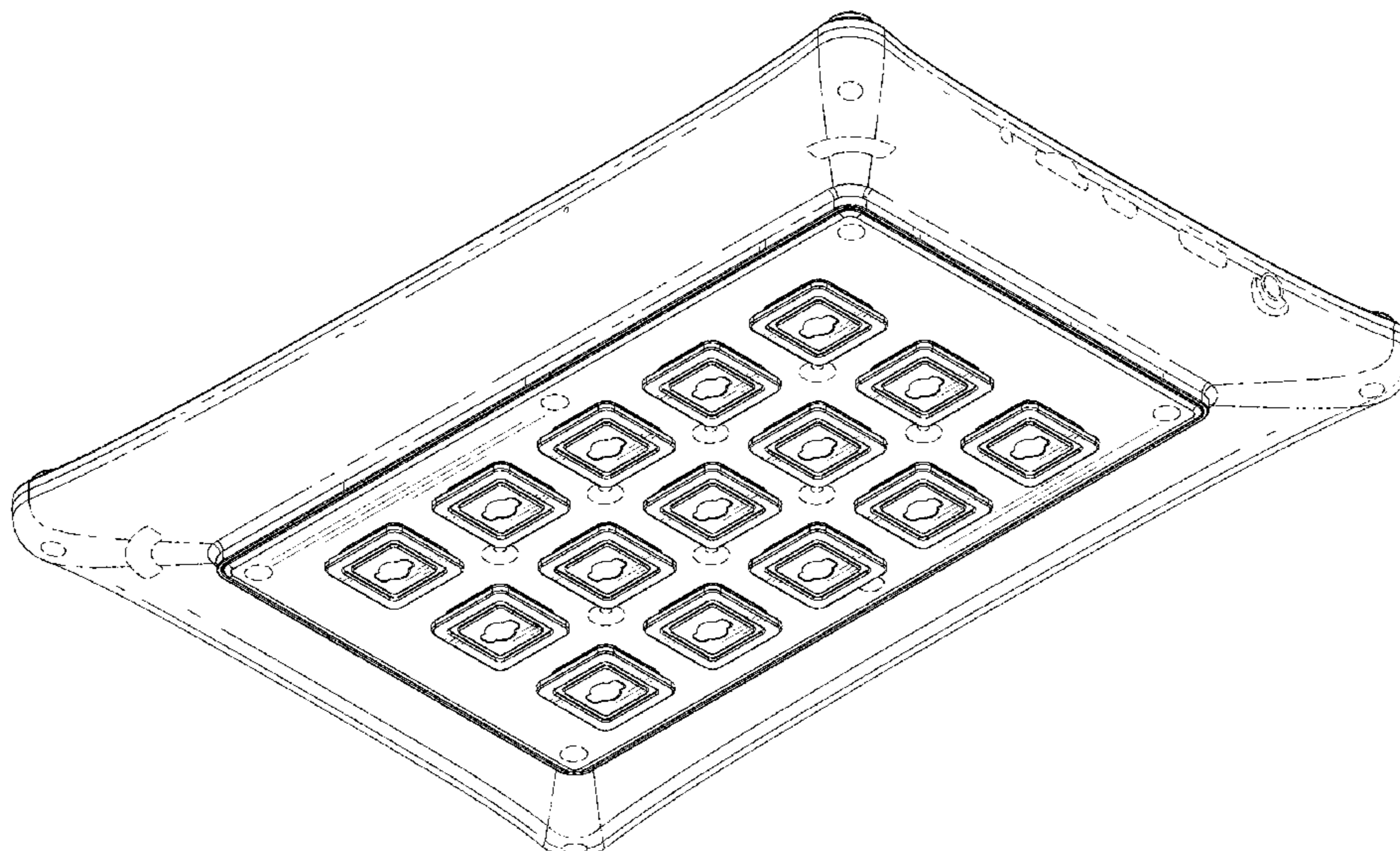
(57) **CLAIM**

The ornamental design for a case for an electronic device, as shown and described.

DESCRIPTION

FIG. 1 is a top perspective view of a case for an electronic device;
FIG. 2 is a front elevation view thereof;
FIG. 3 is a back elevation view thereof;
FIG. 4 is a side elevation view thereof;
FIG. 5 is an another side elevation view thereof;
FIG. 6 is a top plan view thereof;
FIG. 7 is a bottom plan view thereof; and,
FIG. 8 is a bottom perspective view thereof.
The broken line portions of the figure drawings are included to show unclaimed subject matter only and forms no part of the claimed design.

1 Claim, 6 Drawing Sheets



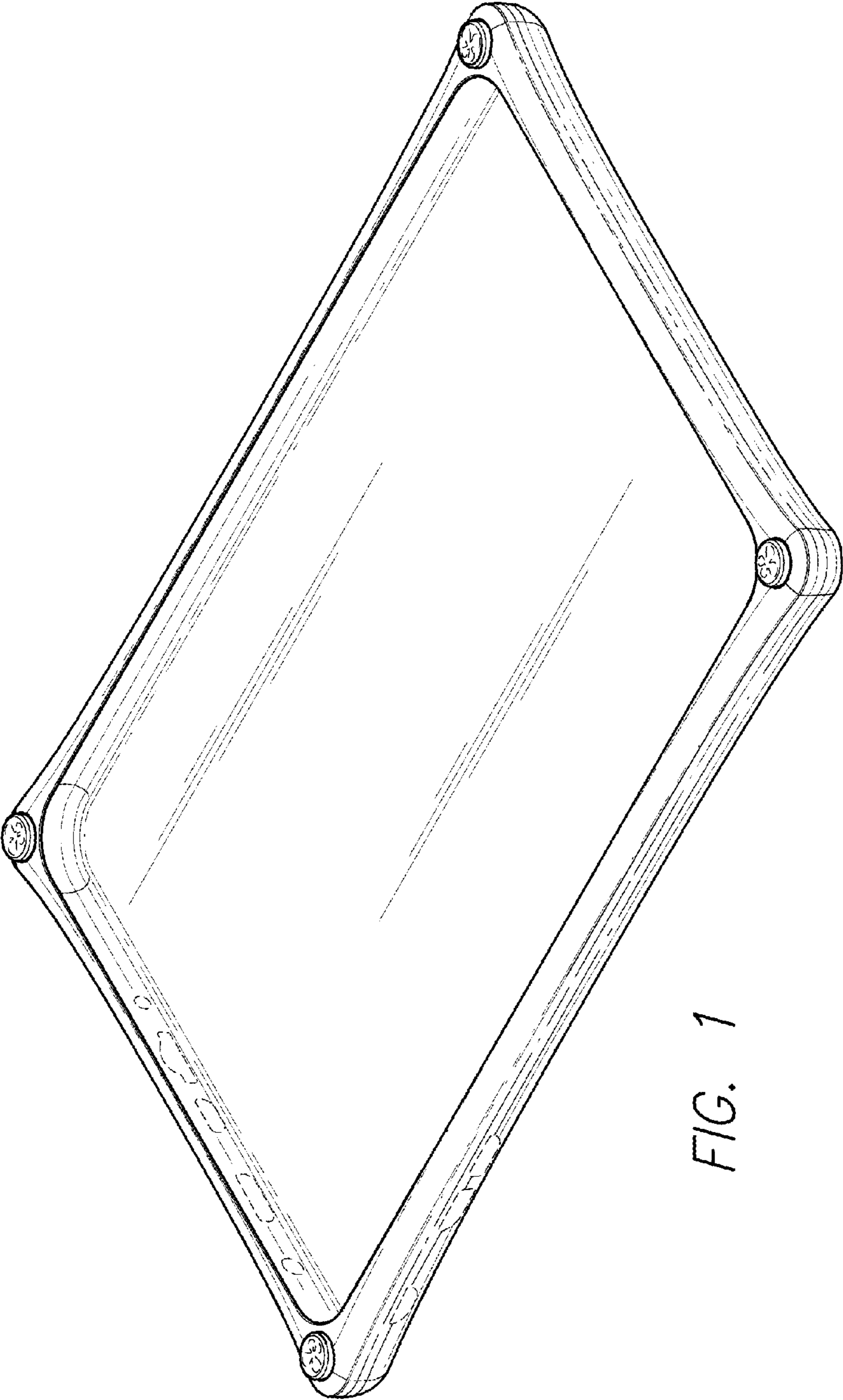


FIG. 1

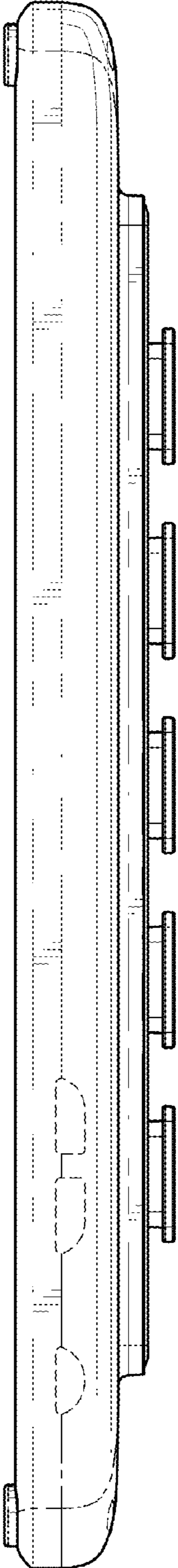


FIG. 2

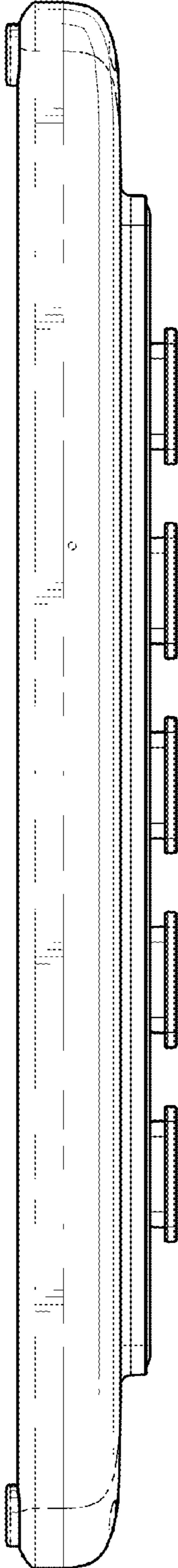


FIG. 3

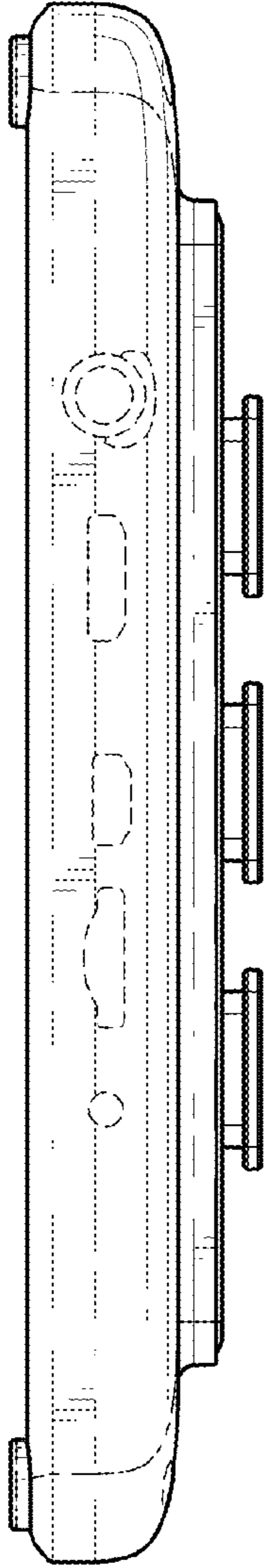


FIG. 4

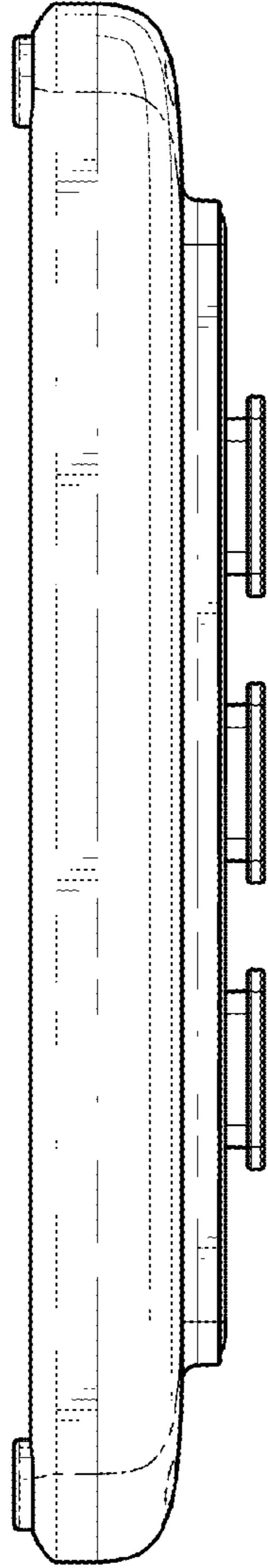


FIG. 5

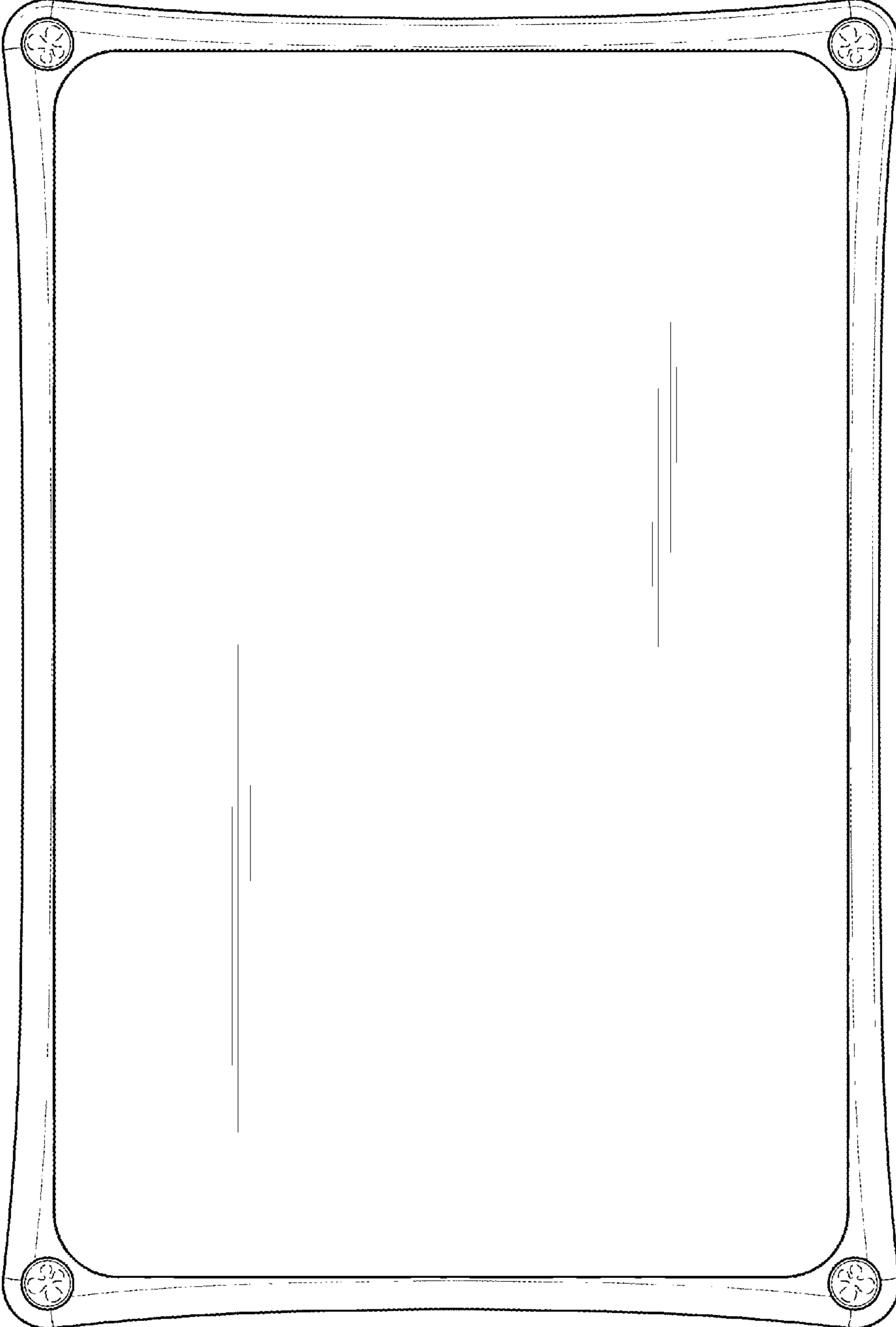


FIG. 6

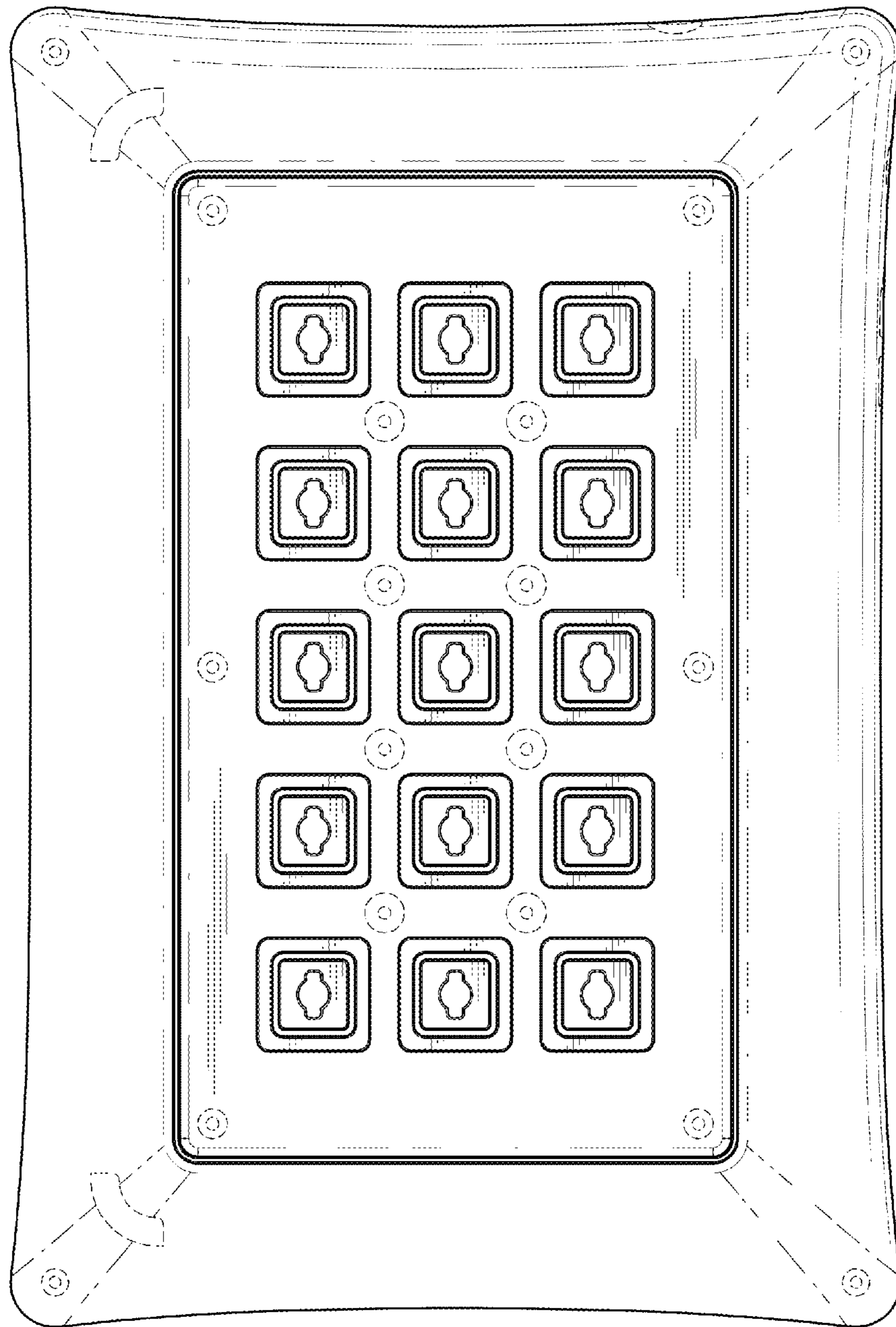


FIG. 7

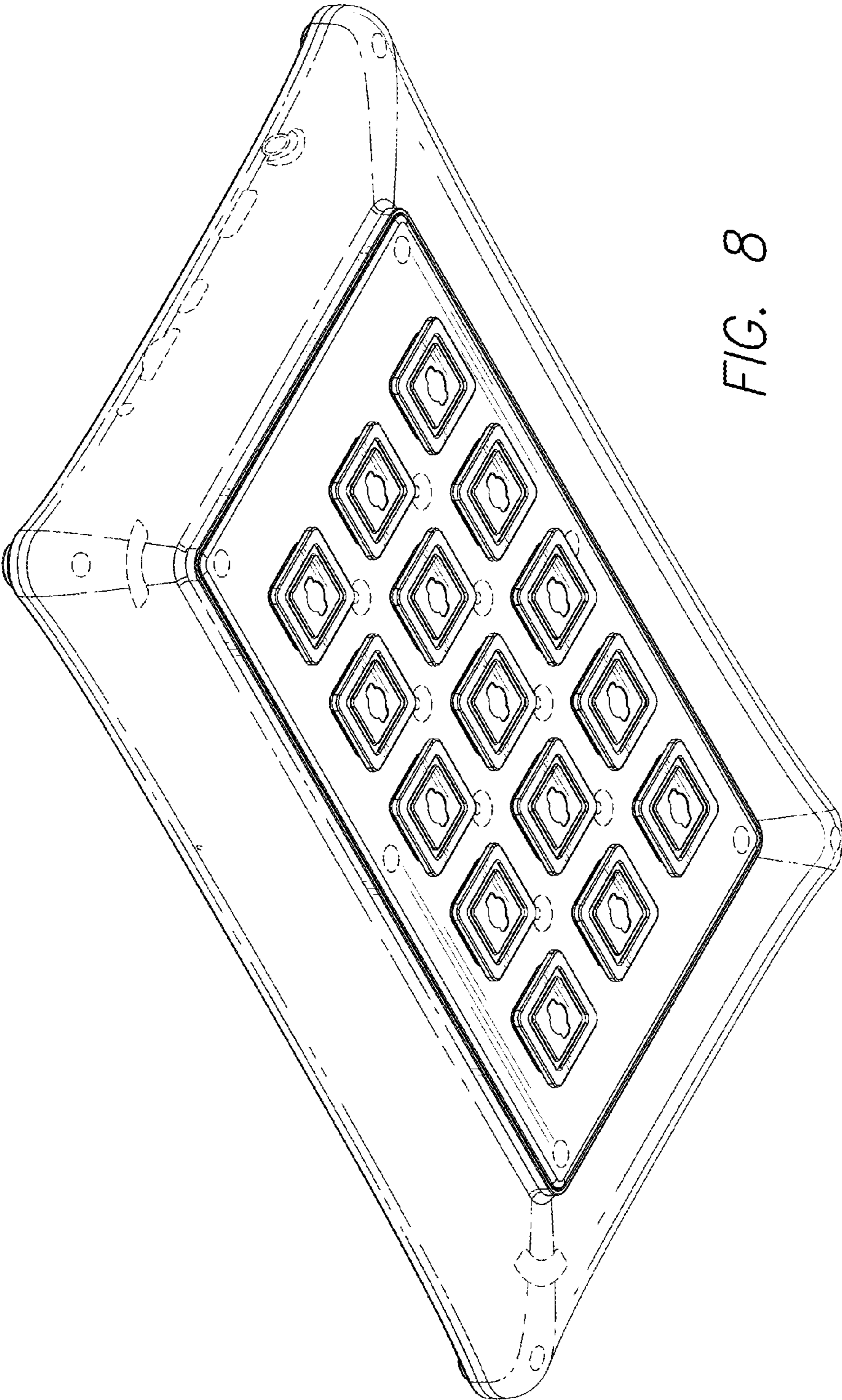


FIG. 8