



US00D691093S

(12) **United States Design Patent**
Yu et al.

(10) **Patent No.:** **US D691,093 S**
(45) **Date of Patent:** **** Oct. 8, 2013**

(54) **MULTIMEDIA CONNECTOR**

(76) Inventors: **Juhyun Yu**, Mito (JP); **Kouki Hirano**,
Hitachinaka (JP); **Kenichi Ohhashi**,
Hitachi (JP)

(**) Term: **14 Years**

(21) Appl. No.: **29/397,970**

(22) Filed: **Jul. 25, 2011**

(30) **Foreign Application Priority Data**

Jan. 24, 2011 (JP) 2011-001297
Jan. 24, 2011 (JP) 2011-001298

(51) **LOC (9) Cl.** **13-03**

(52) **U.S. Cl.**
USPC **D13/147**

(58) **Field of Classification Search**
USPC D13/133, 146, 147, 154, 184, 199;
439/79, 248, 258, 274, 350, 353, 358,
439/447, 660, 607.01, 607.02, 607.04,
439/607.05, 607.17, 607.25, 607.34,
439/607.53, 677, 680, 682, 686
See application file for complete search history.

(56) **References Cited**

U.S. PATENT DOCUMENTS

D298,313 S * 11/1988 De Jong D13/133
D336,467 S * 6/1993 Pooley et al. D14/433
D387,732 S * 12/1997 England et al. D13/147
D452,217 S * 12/2001 Shimojyo D13/147

D453,498 S * 2/2002 Fujita D13/147
D553,087 S * 10/2007 Ashida et al. D13/133
D557,659 S * 12/2007 Ashida et al. D13/133
D559,193 S * 1/2008 Stavoe et al. D13/154
D562,769 S * 2/2008 Ashida et al. D13/133
D584,238 S * 1/2009 Victor D13/156

* cited by examiner

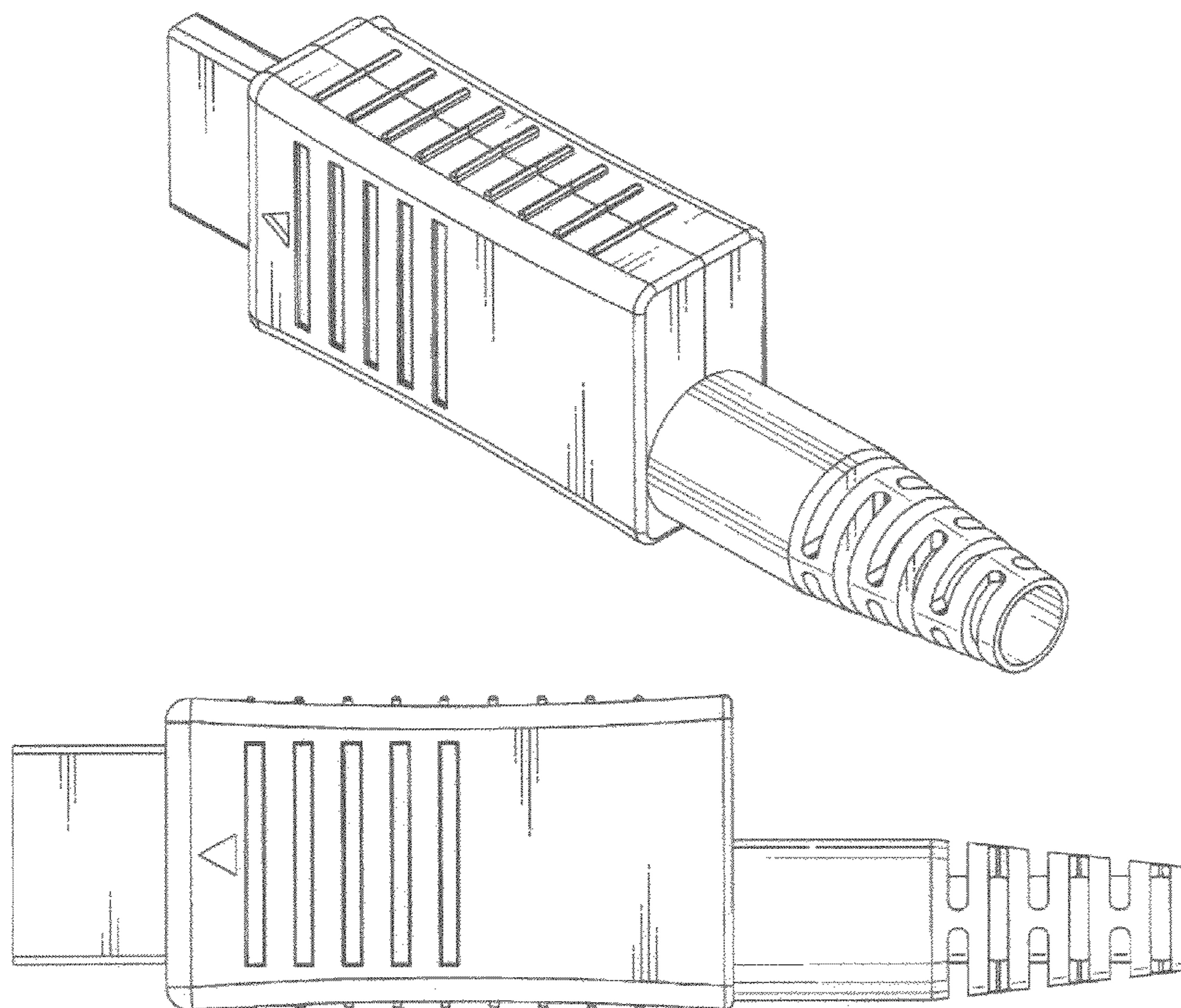
Primary Examiner — Daniel Bui
(74) *Attorney, Agent, or Firm* — John R. Benefiel

(57) **CLAIM**
The ornamental design for a multimedia connector, as shown and described.

DESCRIPTION

FIG. 1 is a top, left and rear perspective view of a first embodiment of a multimedia connector showing our new design; FIG. 2 is a bottom, right and rear perspective view thereof; FIG. 3 is a left side elevation view thereof; FIG. 4 is a right side elevation view thereof; FIG. 5 is a top plan view thereof; FIG. 6 is a bottom plan view thereof; FIG. 7 is a front elevation view thereof; FIG. 8 is a rear elevation view thereof; FIG. 9 is a top, left and rear perspective view of a second embodiment of a multimedia connector showing our new design; FIG. 10 is a bottom, right and rear perspective view thereof; FIG. 11 is a left side elevation view thereof; FIG. 12 is a right side elevation view thereof; FIG. 13 is a top plan view thereof; FIG. 14 is a bottom plan view thereof; FIG. 15 is a front elevation view thereof; and, FIG. 16 is a rear elevation view thereof.

1 Claim, 7 Drawing Sheets



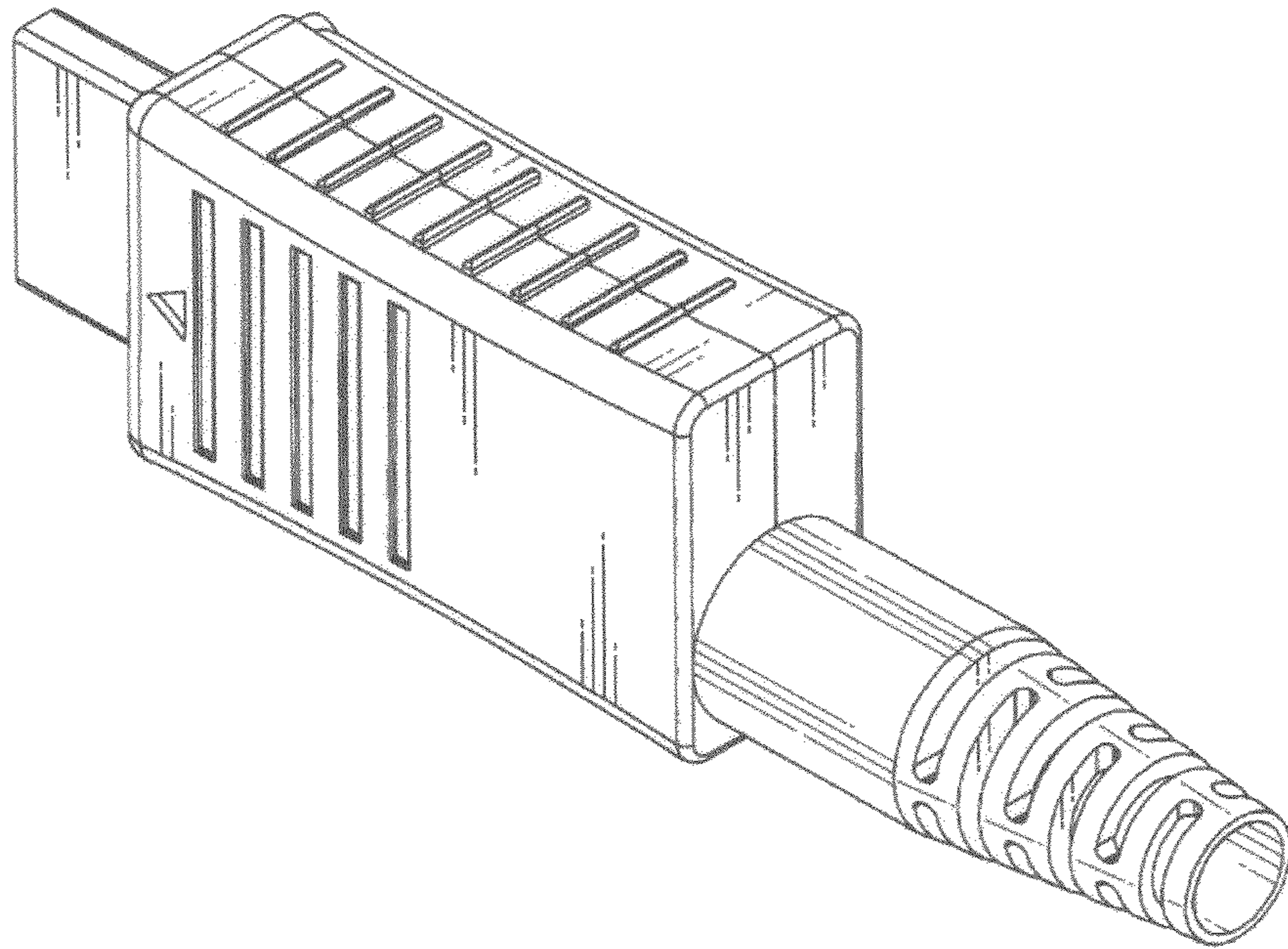


FIG. 1

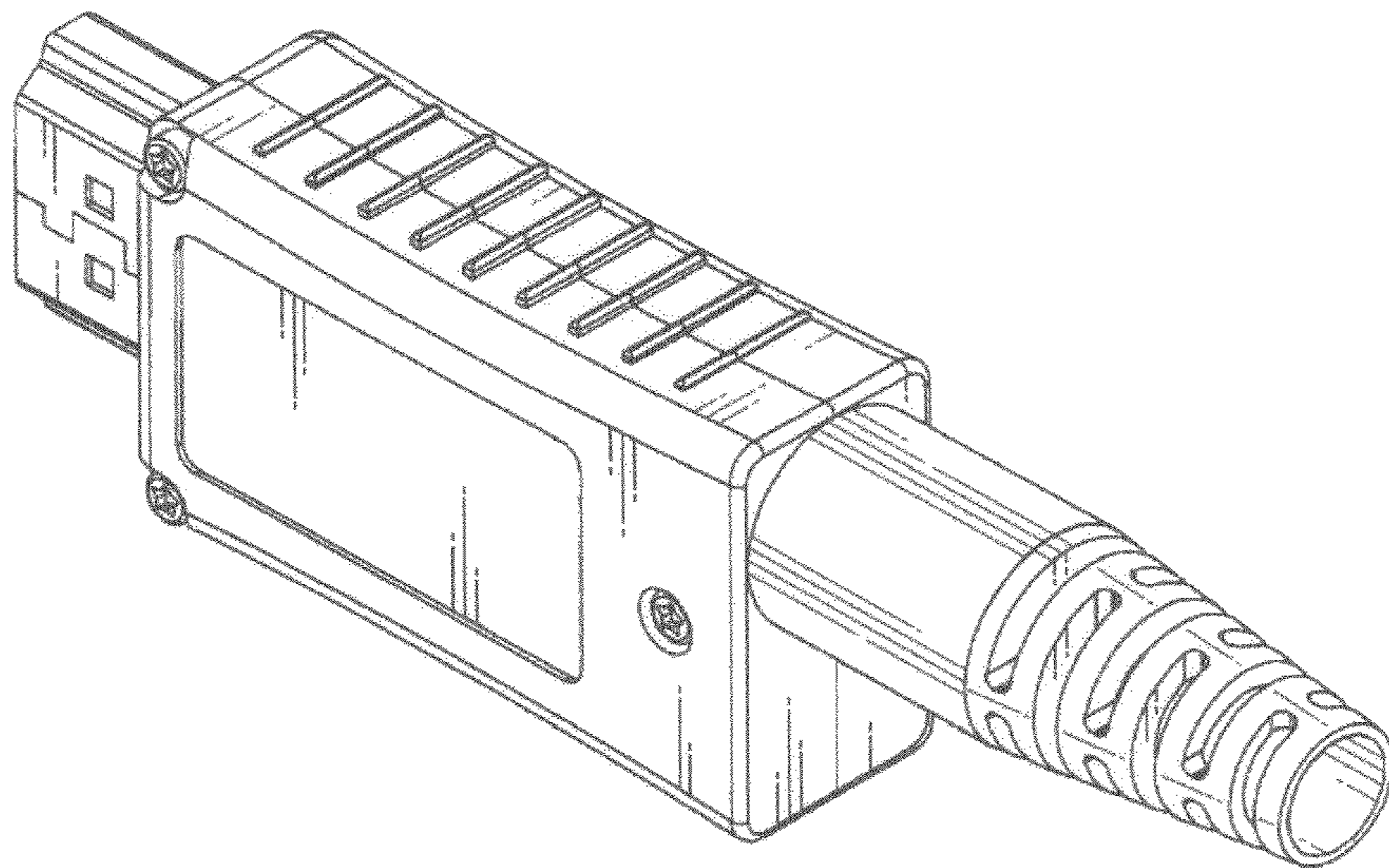


FIG. 2

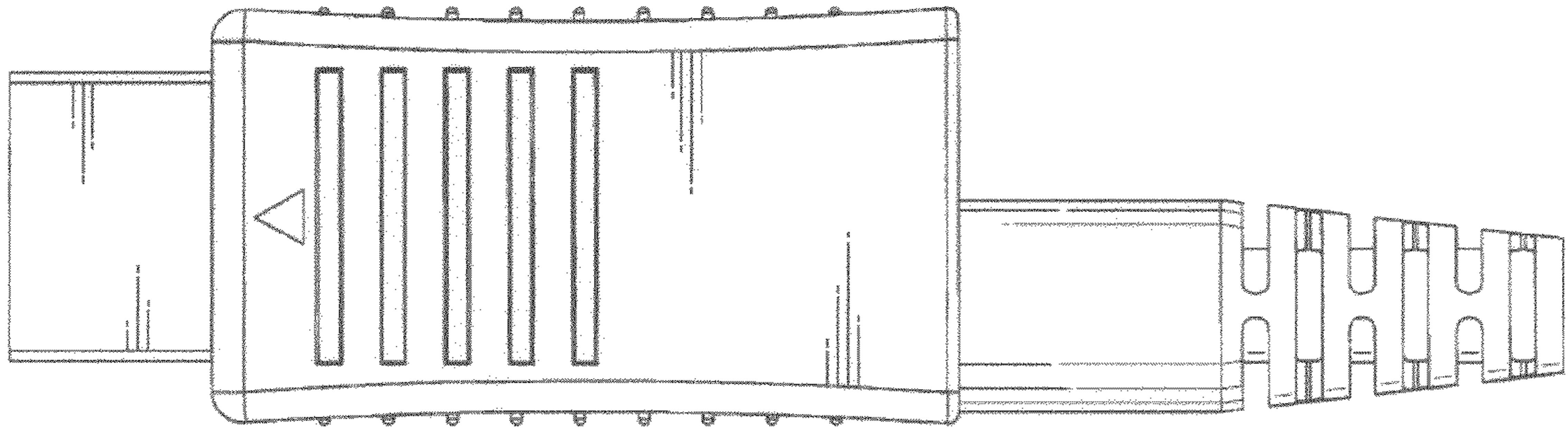


FIG. 3

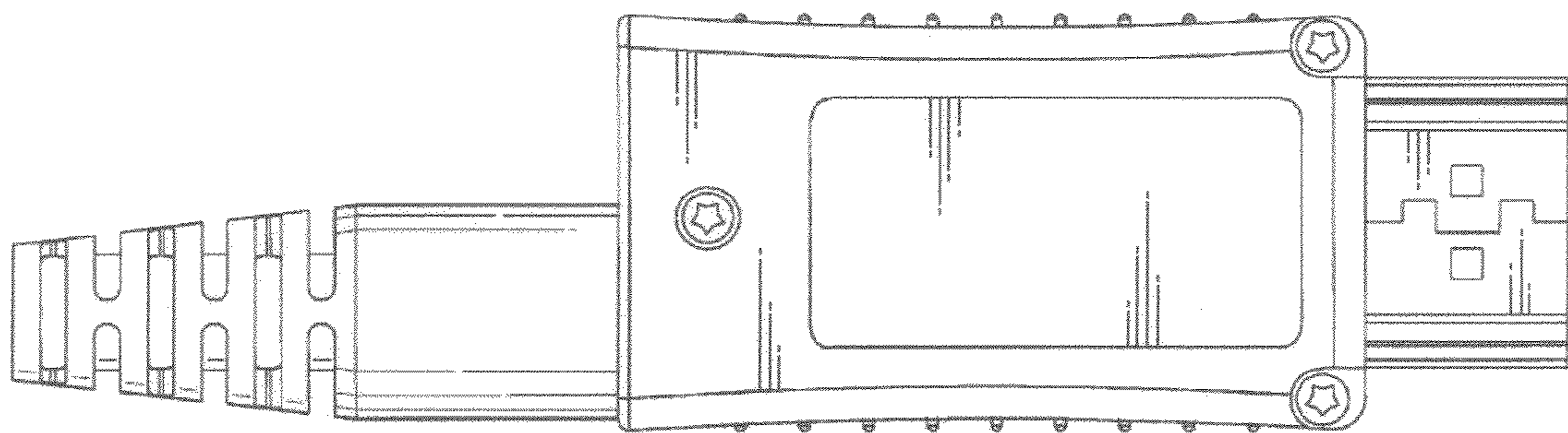


FIG. 4

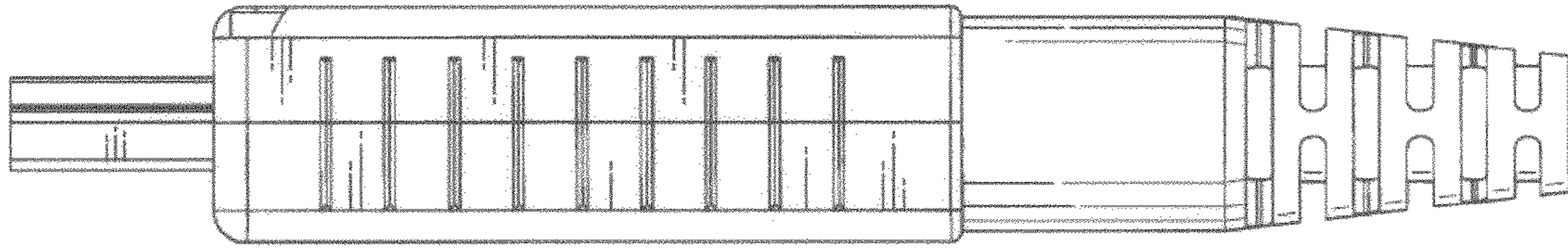


FIG. 5

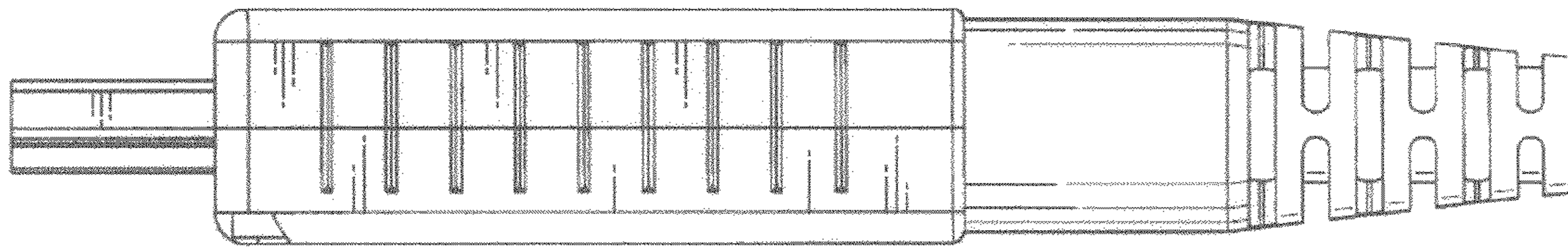


FIG. 6

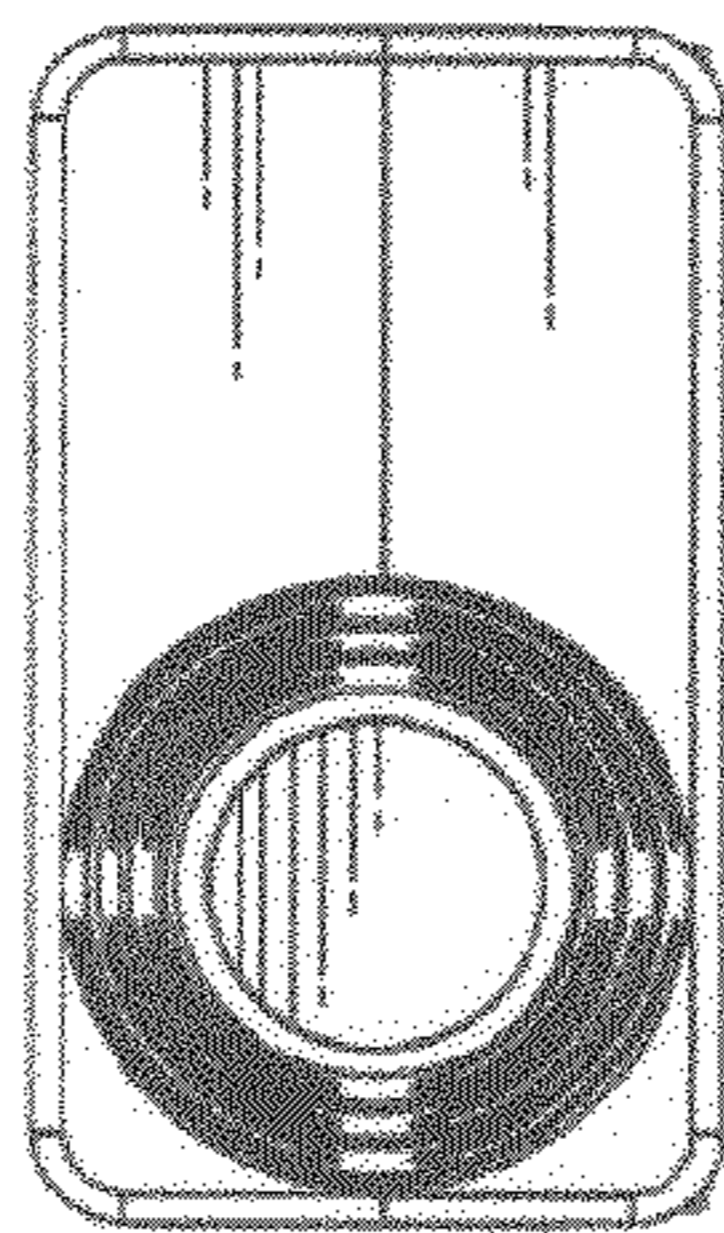


FIG. 7

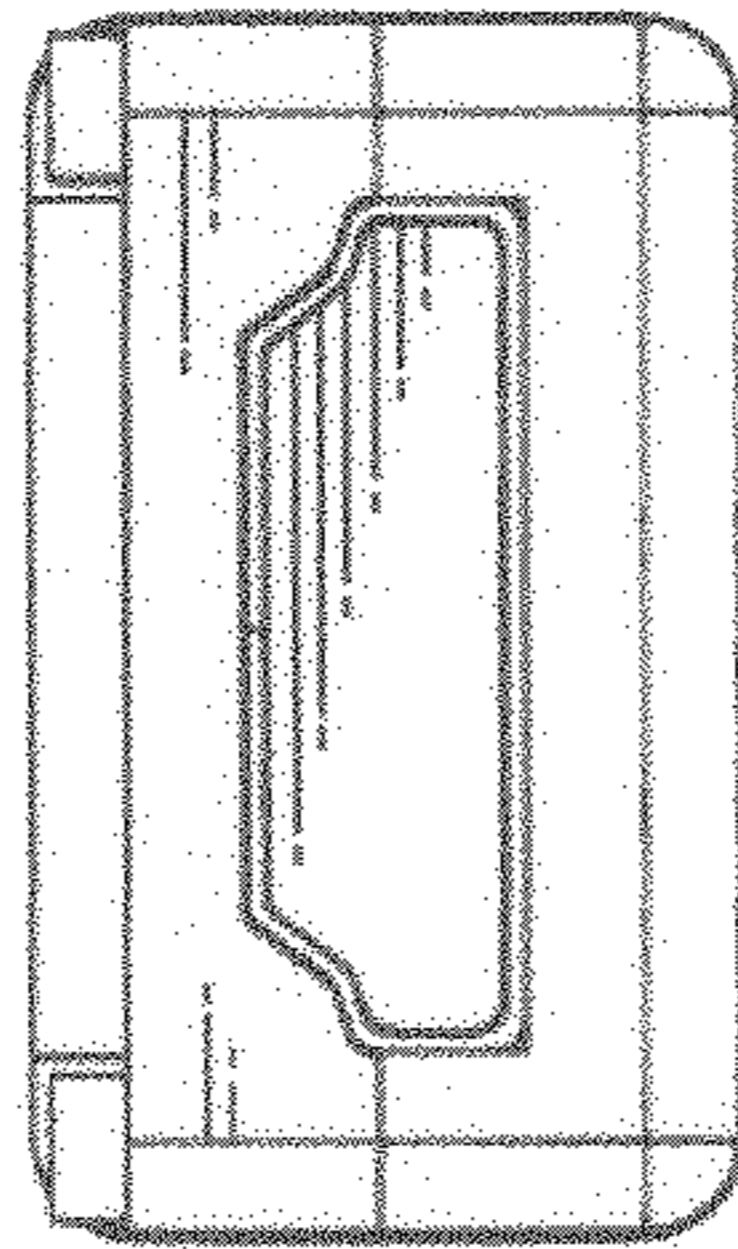


FIG. 8

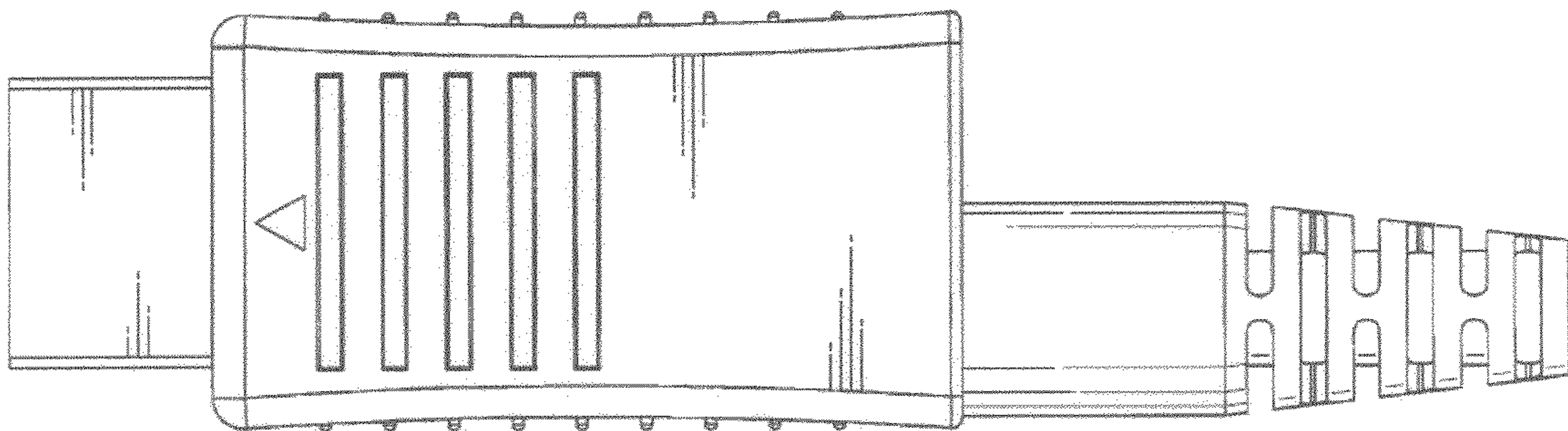


FIG. 9

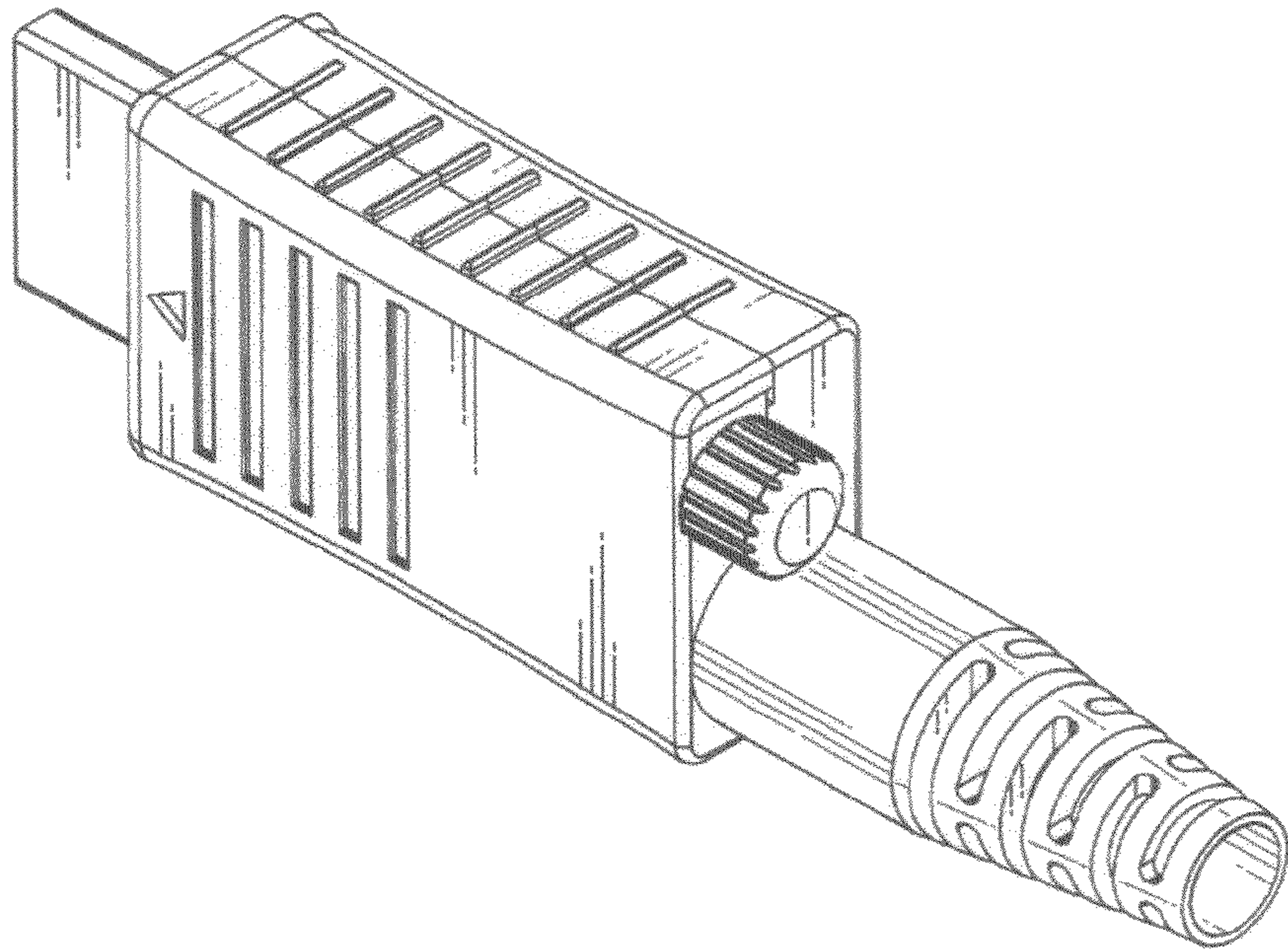


FIG. 10

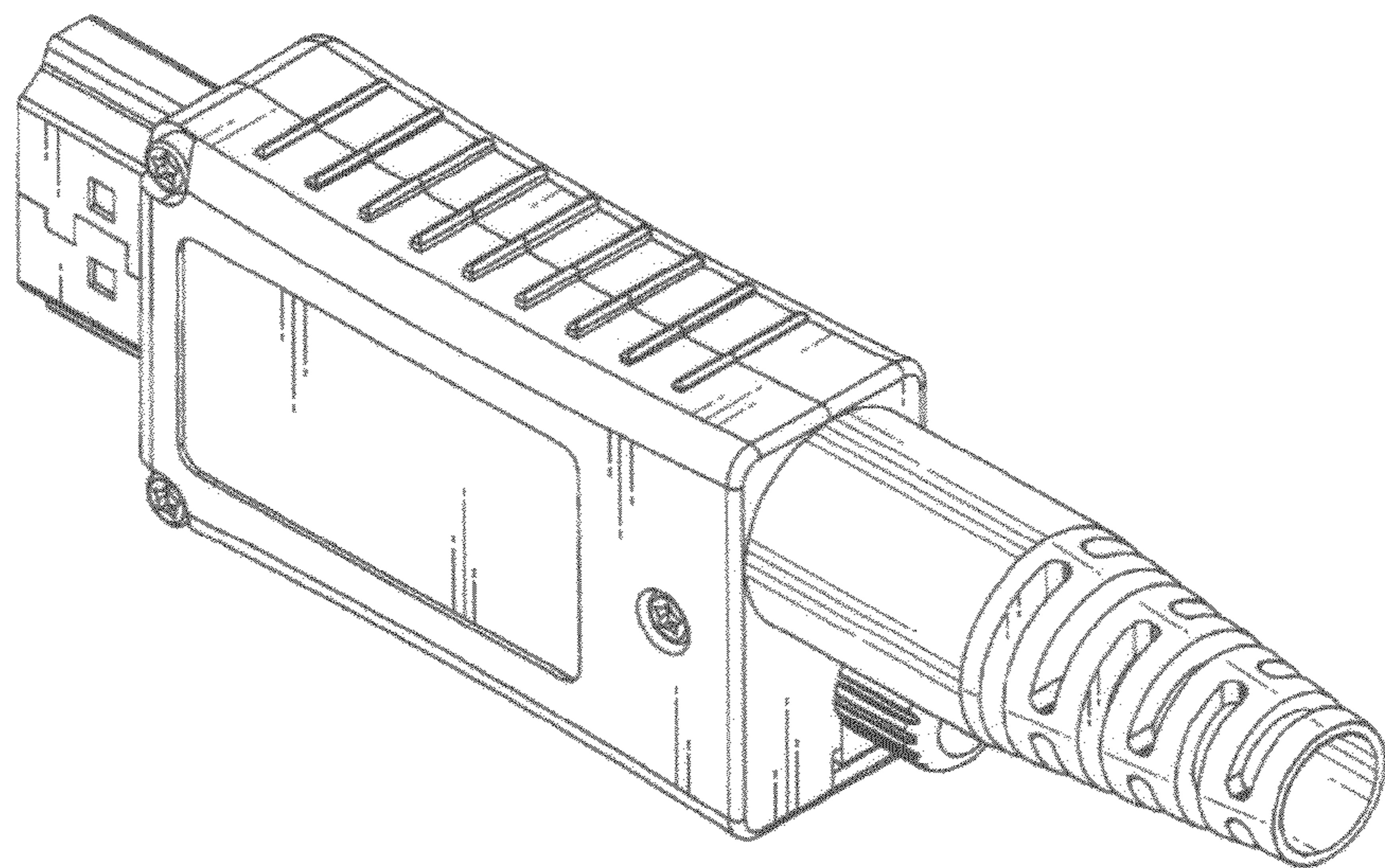


FIG. 11

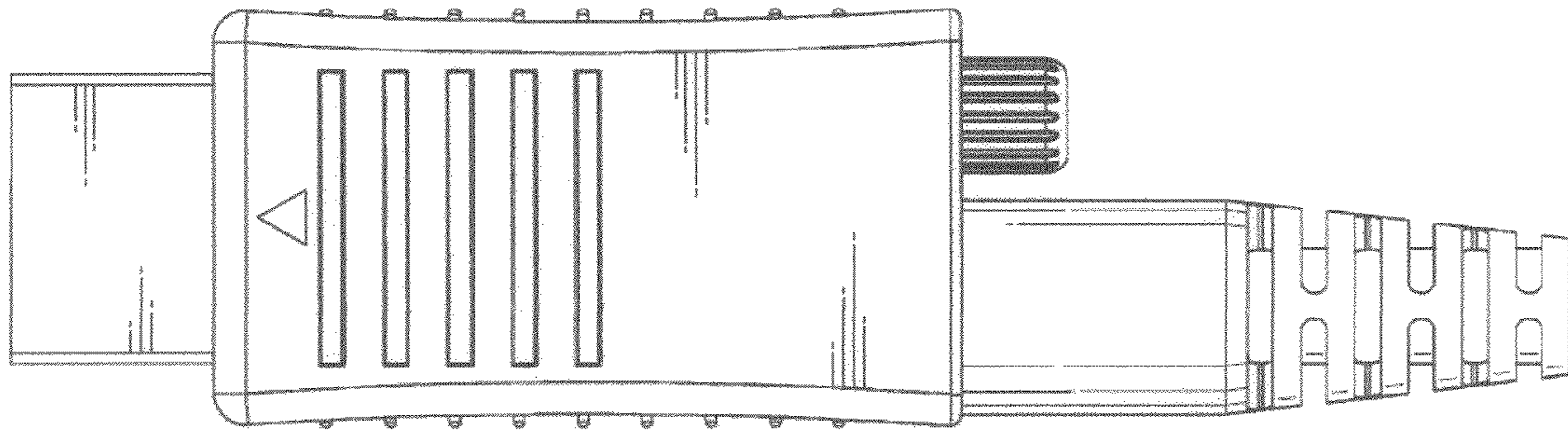


FIG. 12

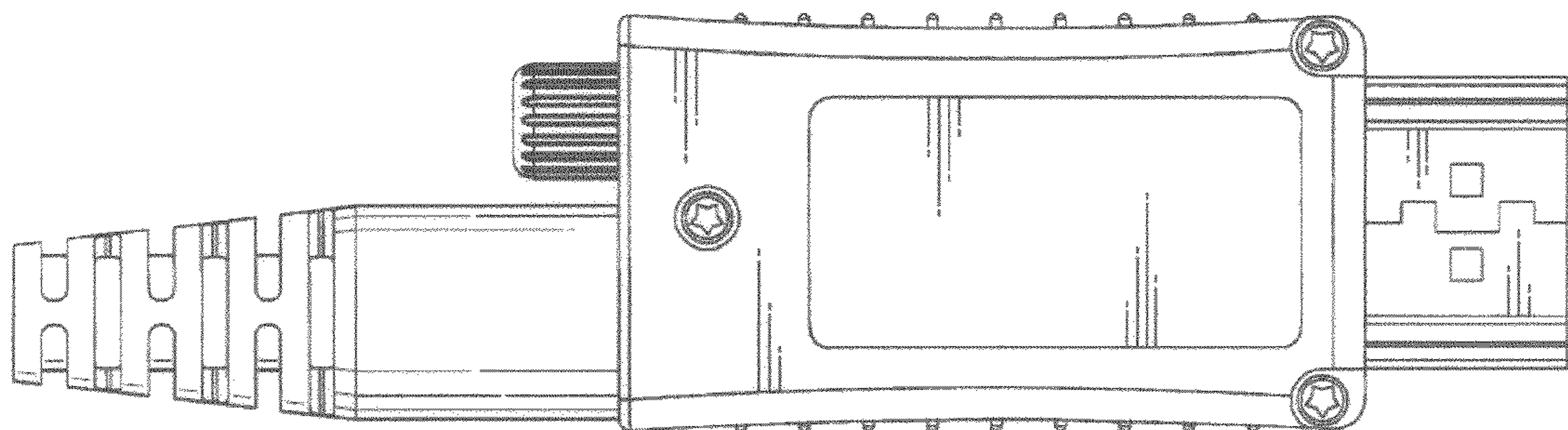


FIG. 13

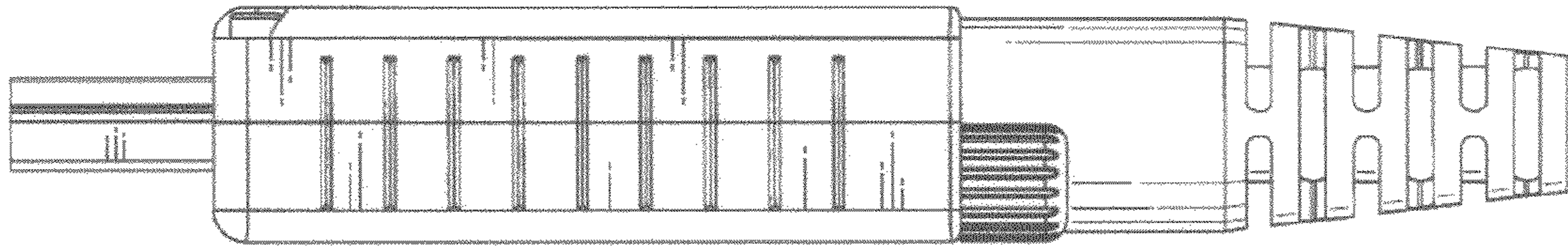


FIG. 14

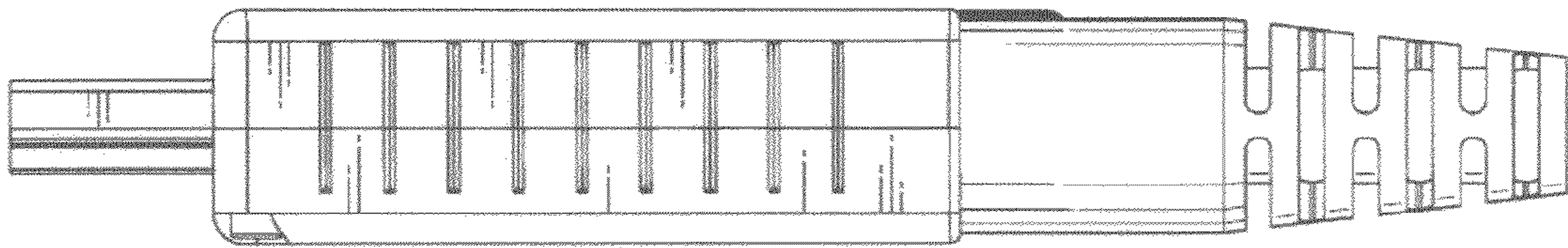


FIG. 15

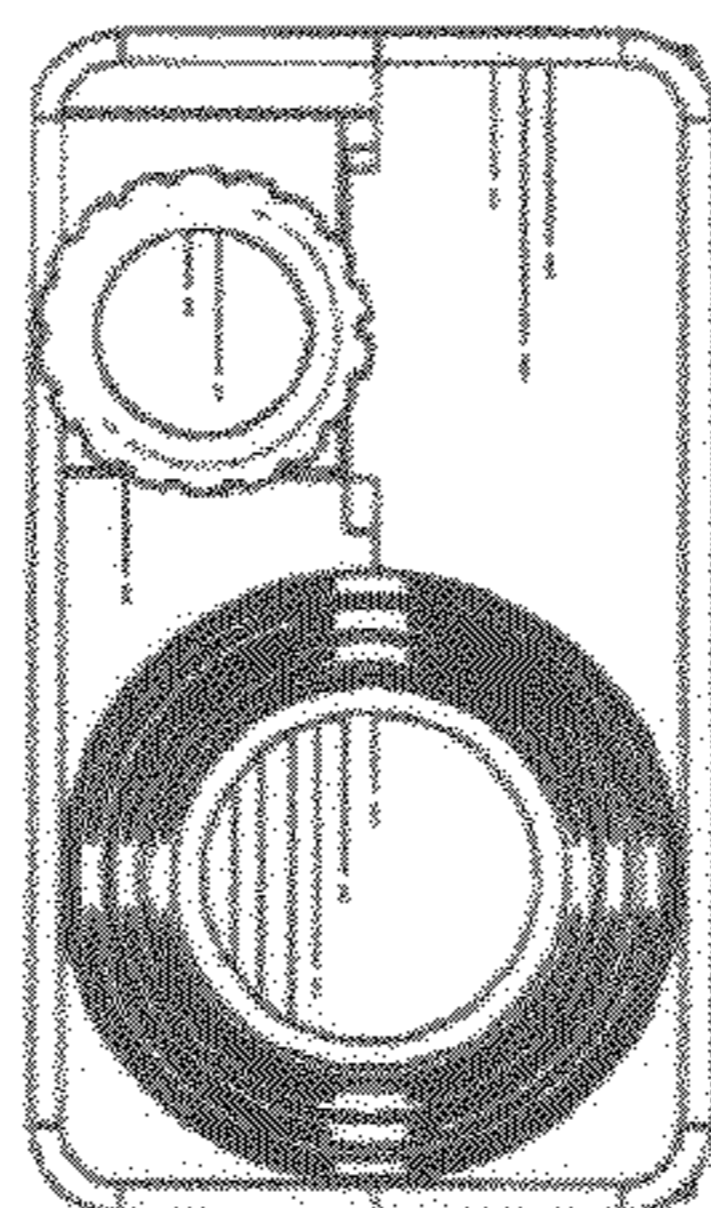


FIG. 16

UNITED STATES PATENT AND TRADEMARK OFFICE
CERTIFICATE OF CORRECTION

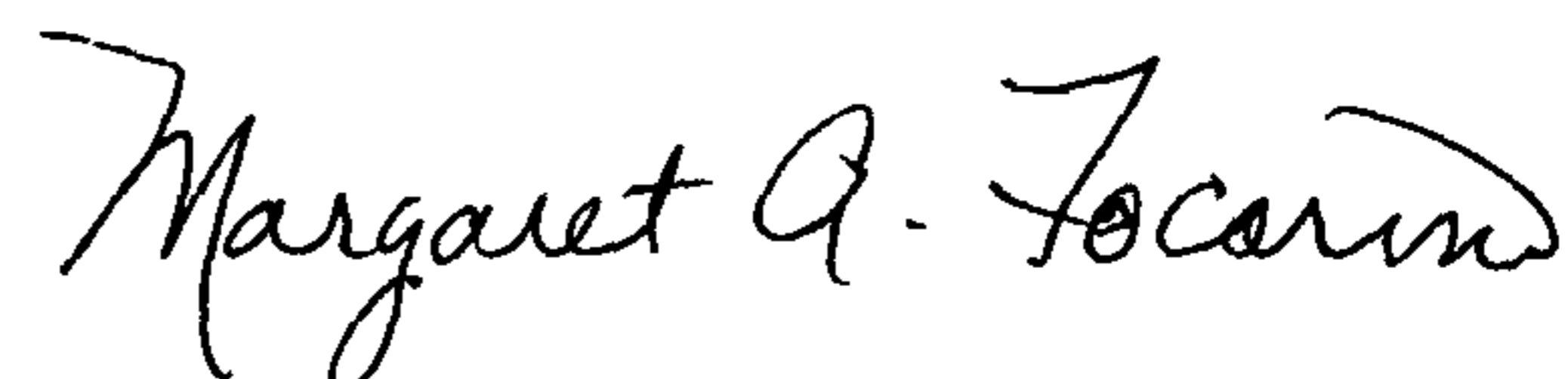
PATENT NO. : D691,093 S
APPLICATION NO. : 29/397970
DATED : October 8, 2013
INVENTOR(S) : Juhyun Yu et al.

Page 1 of 1

It is certified that error appears in the above-identified patent and that said Letters Patent is hereby corrected as shown below:

Title page, Item 73 insert -- Assignee Hitachi Cable, Ltd. --.

Signed and Sealed this
Third Day of December, 2013



Margaret A. Focarino
Commissioner for Patents of the United States Patent and Trademark Office