



US00D691090S

(12) **United States Design Patent**  
**Dachs**

(10) **Patent No.:** **US D691,090 S**  
(45) **Date of Patent:** **\*\* Oct. 8, 2013**

- (54) **CABLE CONNECTOR**
- (71) Applicant: **Intuitive Surgical Operations, Inc.**,  
Sunnyvale, CA (US)
- (72) Inventor: **Gregory W. Dachs**, San Mateo, CA  
(US)
- (73) Assignee: **Intuitive Surgical Operations, Inc.**,  
Sunnyvale, CA (US)

4,211,461 A *	7/1980	Wescott	.....	439/357
5,180,316 A *	1/1993	Miller et al.	.....	439/607.5
D420,980 S *	2/2000	Tennessee	.....	D13/146
D472,523 S *	4/2003	Hansen	.....	D13/146
D491,526 S *	6/2004	D'Addario et al.	.....	D13/146
D560,610 S *	1/2008	McCoy	.....	D13/146
D563,884 S *	3/2008	Dever	.....	D13/147
D617,272 S *	6/2010	The	.....	D13/133
D639,743 S *	6/2011	Smith et al.	.....	D13/146
D639,744 S *	6/2011	Smith et al.	.....	D13/146
2004/0152354 A1 *	8/2004	Luther et al.	.....	439/378

\* cited by examiner

(\*\*) Term: **14 Years**

*Primary Examiner* — Derrick Holland

*Assistant Examiner* — Lauren Calve

(21) Appl. No.: **29/436,240**

(57) **CLAIM**

The ornamental design for a cable connector, as shown and described.

(22) Filed: **Nov. 2, 2012**

**DESCRIPTION**

(51) **LOC (9) Cl.** ..... **13-03**

(52) **U.S. Cl.**  
USPC ..... **D13/146**

(58) **Field of Classification Search**  
USPC ..... D13/133, 146-147, 154, 158, 162,  
D13/173, 177, 184, 199; 439/344, 378, 395,  
439/409, 676, 607.04, 607.12, 607.14, 607.15,  
439/685, 692, 732, 907, 908; D1/107, 111;  
D14/432, 433, 438, 439; D21/488, 503,  
D21/597, 599

See application file for complete search history.

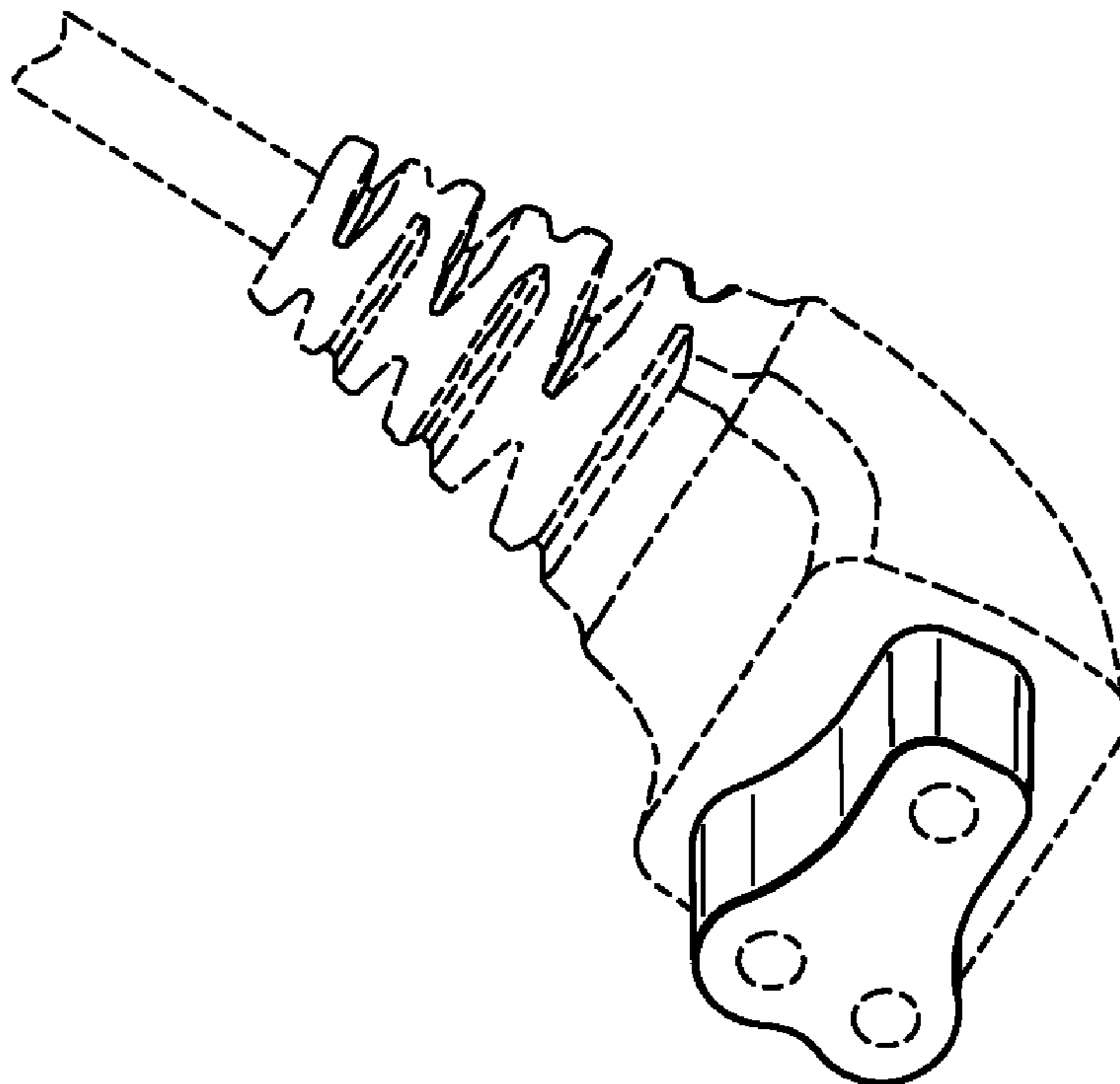
FIG. 1 is a perspective view of a cable connector showing my new design.  
FIG. 2 is a second perspective view of the cable connector of FIG. 1.  
FIG. 3 is a front view of the cable connector of FIG. 1.  
FIG. 4 is a bottom view of the cable connector of FIG. 1.  
FIG. 5 is a left side view of the cable connector of FIG. 1.  
FIG. 6 is a top view of the cable connector of FIG. 1; and,  
FIG. 7 is a right side view of the cable connector of FIG. 1.  
The broken line showing of a cable connector represents unclaimed subject matter and forms no part of the claimed design.

(56) **References Cited**

U.S. PATENT DOCUMENTS

D141,099 S *	5/1945	Baumgardner	.....	D13/173
D141,101 S *	5/1945	Baumgardner	.....	D13/173

**1 Claim, 2 Drawing Sheets**



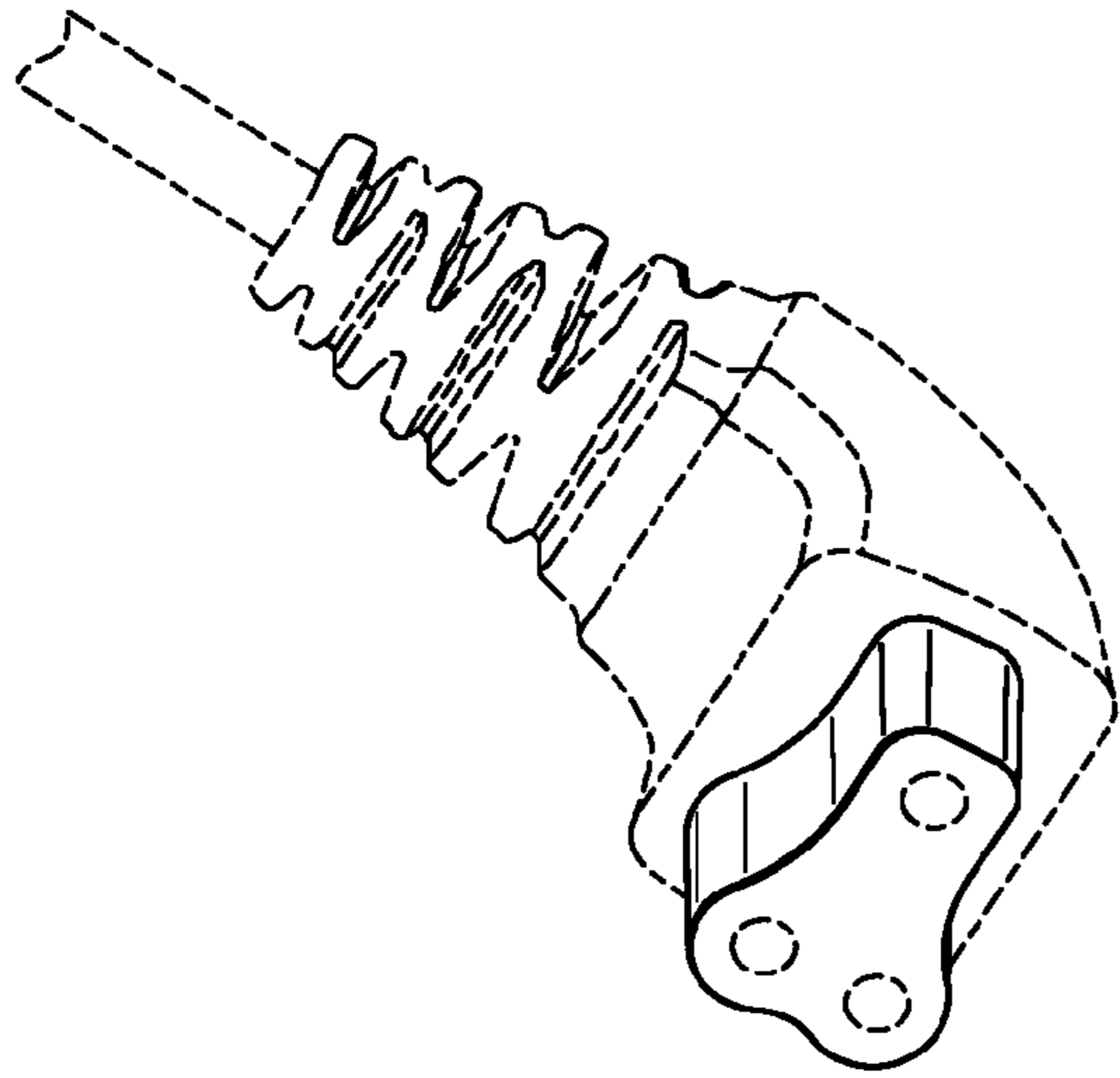


FIG. 1

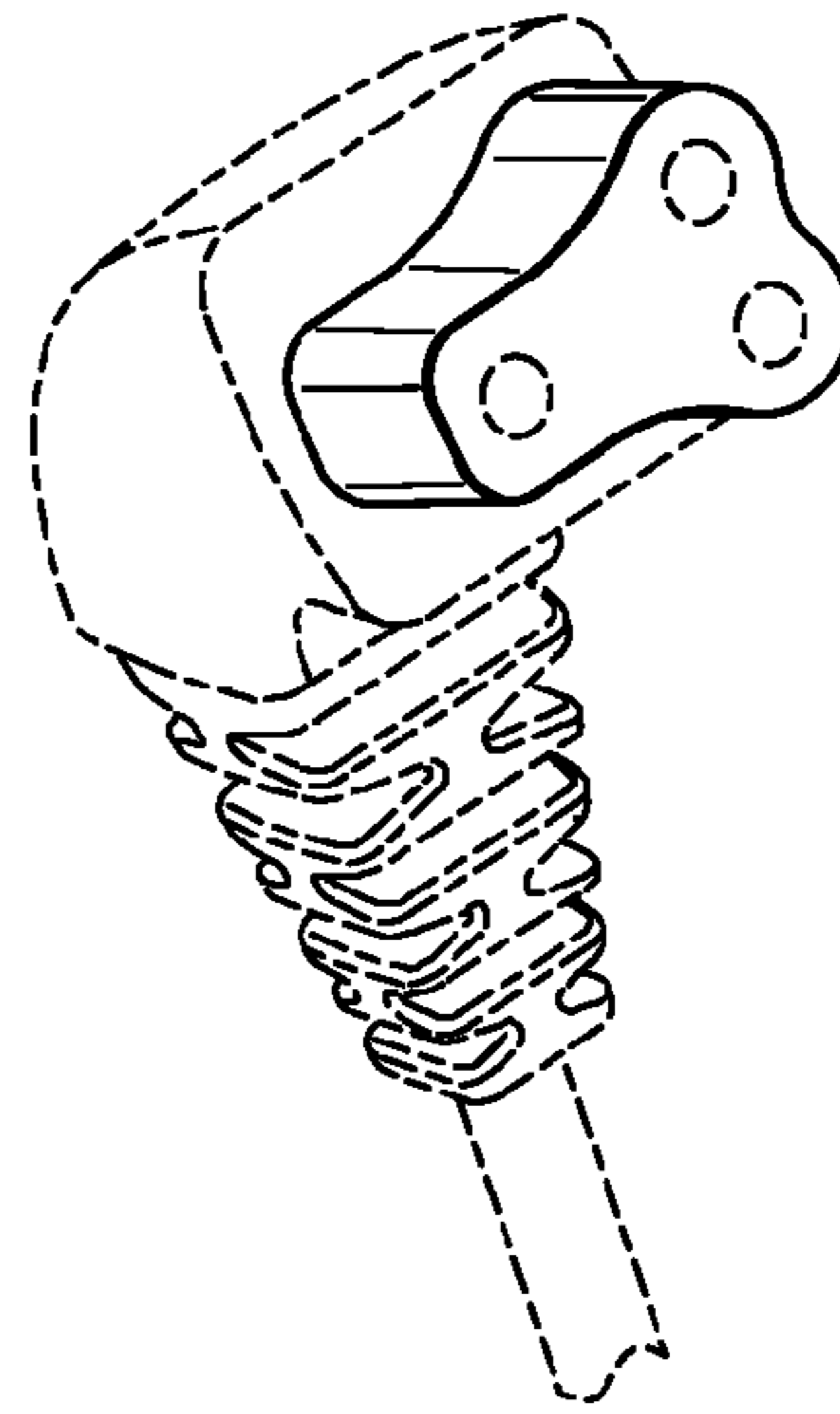


FIG. 2

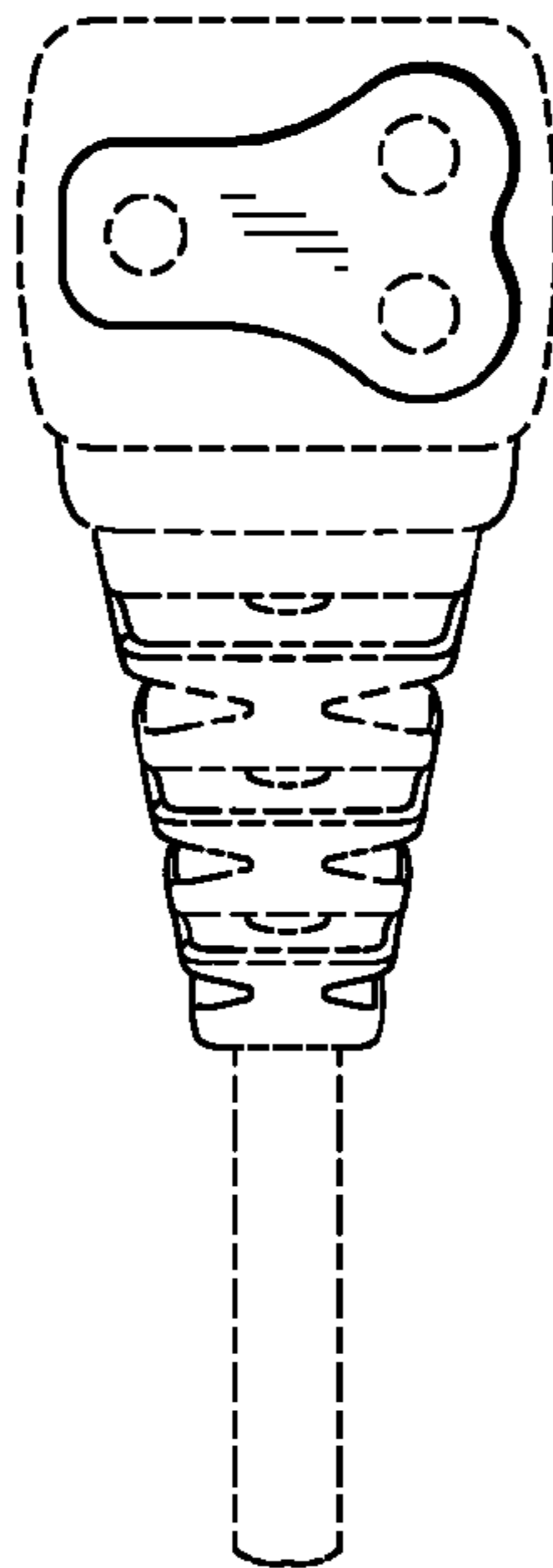


FIG. 3

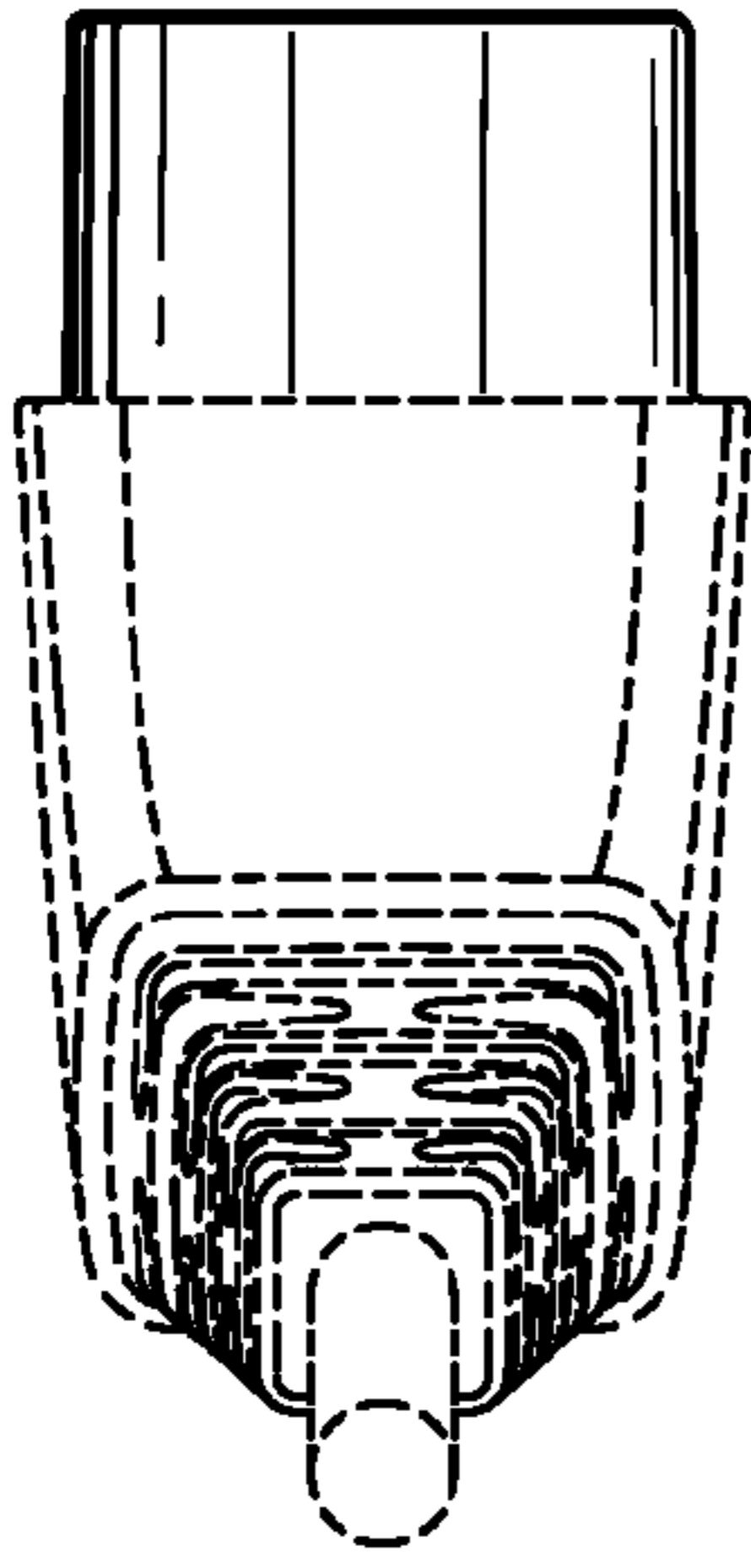


FIG. 4

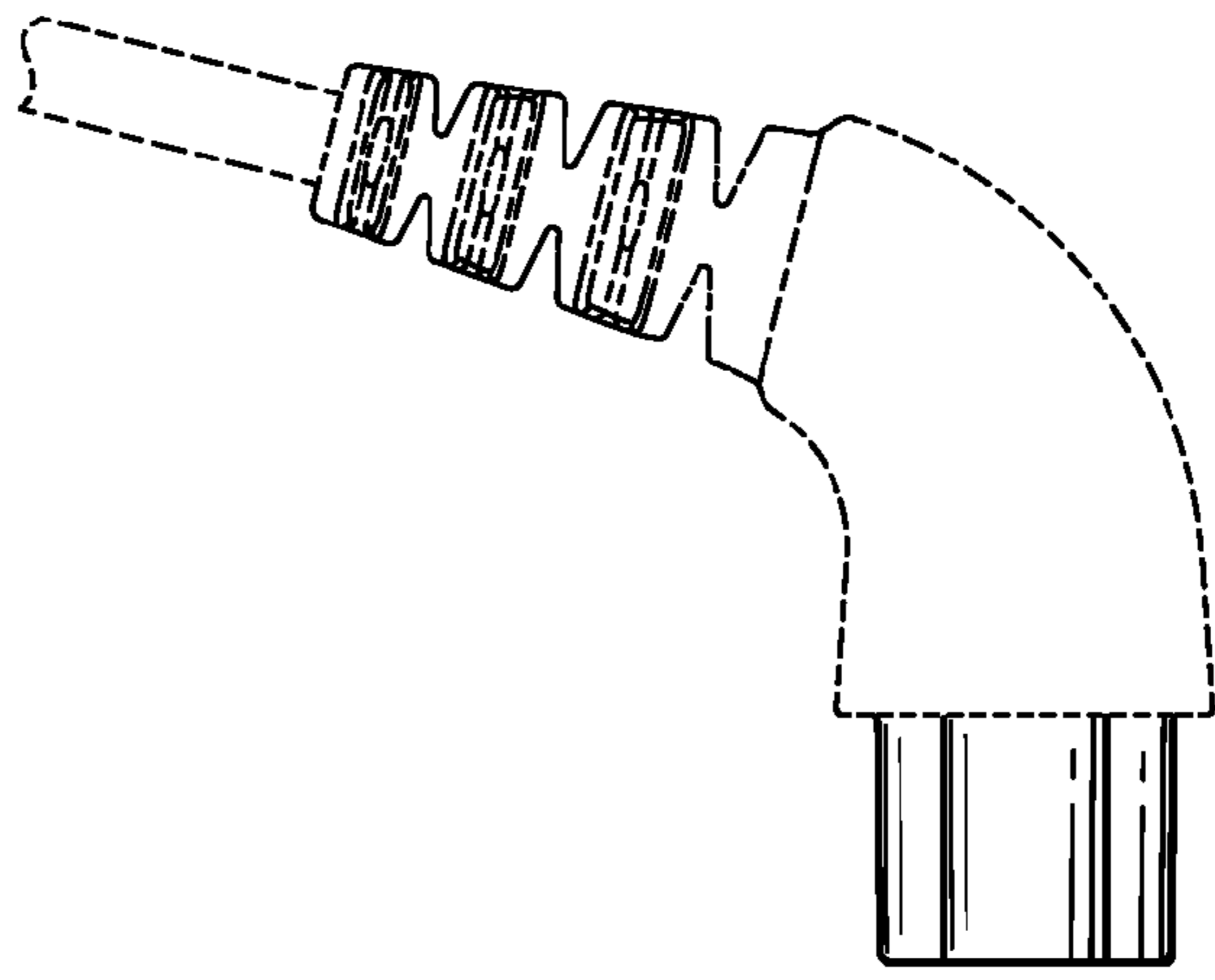


FIG. 5

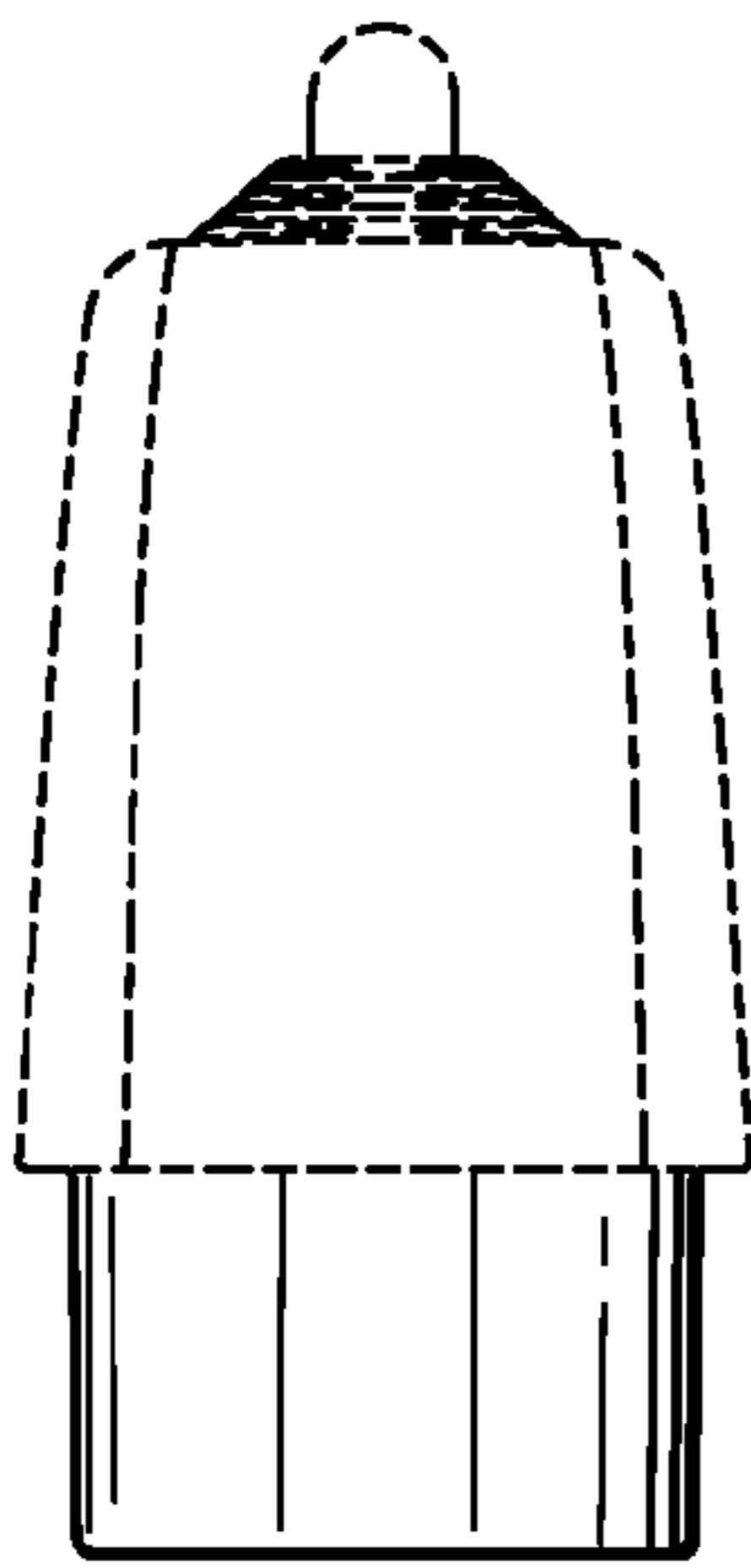


FIG. 6

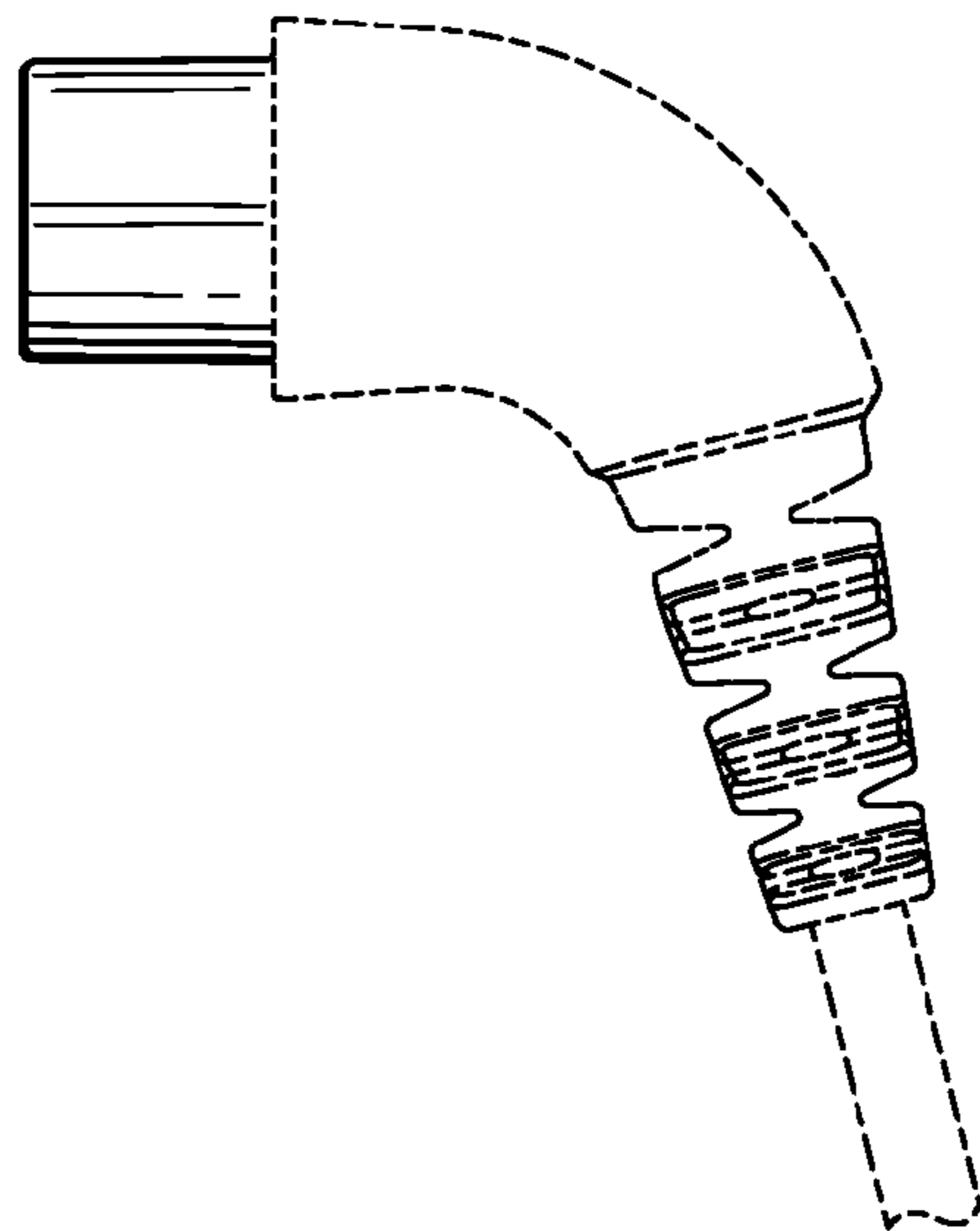


FIG. 7