



US00D691089S

(12) **United States Design Patent**  
**Suzuki et al.**

(10) **Patent No.:** **US D691,089 S**  
(45) **Date of Patent:** **\*\* Oct. 8, 2013**

(54) **ELECTRICAL CONNECTOR**

(75) Inventors: **Toshikazu Suzuki**, Tokyo (JP); **Naoki Kadowaki**, Tokyo (JP); **Yusuke Inoue**, Tokyo (JP)

(73) Assignee: **Japan Aviation Electronics Industry, Limited**, Tokyo (JP)

(\*\*) Term: **14 Years**

(21) Appl. No.: **29/423,771**

(22) Filed: **Jun. 5, 2012**

(30) **Foreign Application Priority Data**

Dec. 14, 2011 (JP) ..... 2011-029052

(51) **LOC (9) Cl.** ..... **13-03**

(52) **U.S. Cl.**  
USPC ..... **D13/146**

(58) **Field of Classification Search**  
USPC ..... D13/133, 146, 147, 154, 184; 439/79, 439/83, 557, 607.01, 607.04, 607.05, 607.17, 439/607.25, 607.34, 607.41, 607.53, 660  
See application file for complete search history.

(56) **References Cited**

**U.S. PATENT DOCUMENTS**

4,679,013 A \* 7/1987 Farrar et al. .... 333/182  
D333,293 S \* 2/1993 Ashida ..... D13/147

D364,459 S \* 11/1995 Dye ..... D24/129  
D373,192 S \* 8/1996 Murphy et al. .... D24/129  
D379,969 S \* 6/1997 Tan ..... D13/147  
D451,476 S \* 12/2001 Wang et al. .... D13/147  
D460,945 S \* 7/2002 Wang ..... D13/147  
D468,266 S \* 1/2003 Huang ..... D13/147  
D558,679 S \* 1/2008 Chen et al. .... D13/154  
D558,680 S \* 1/2008 Chen et al. .... D13/154  
D561,109 S \* 2/2008 Howerton et al. .... D13/147  
D647,854 S 11/2011 Lin

\* cited by examiner

*Primary Examiner* — Daniel Bui

(74) *Attorney, Agent, or Firm* — Cermak Nakajima LLP; Tomoko Nakajima

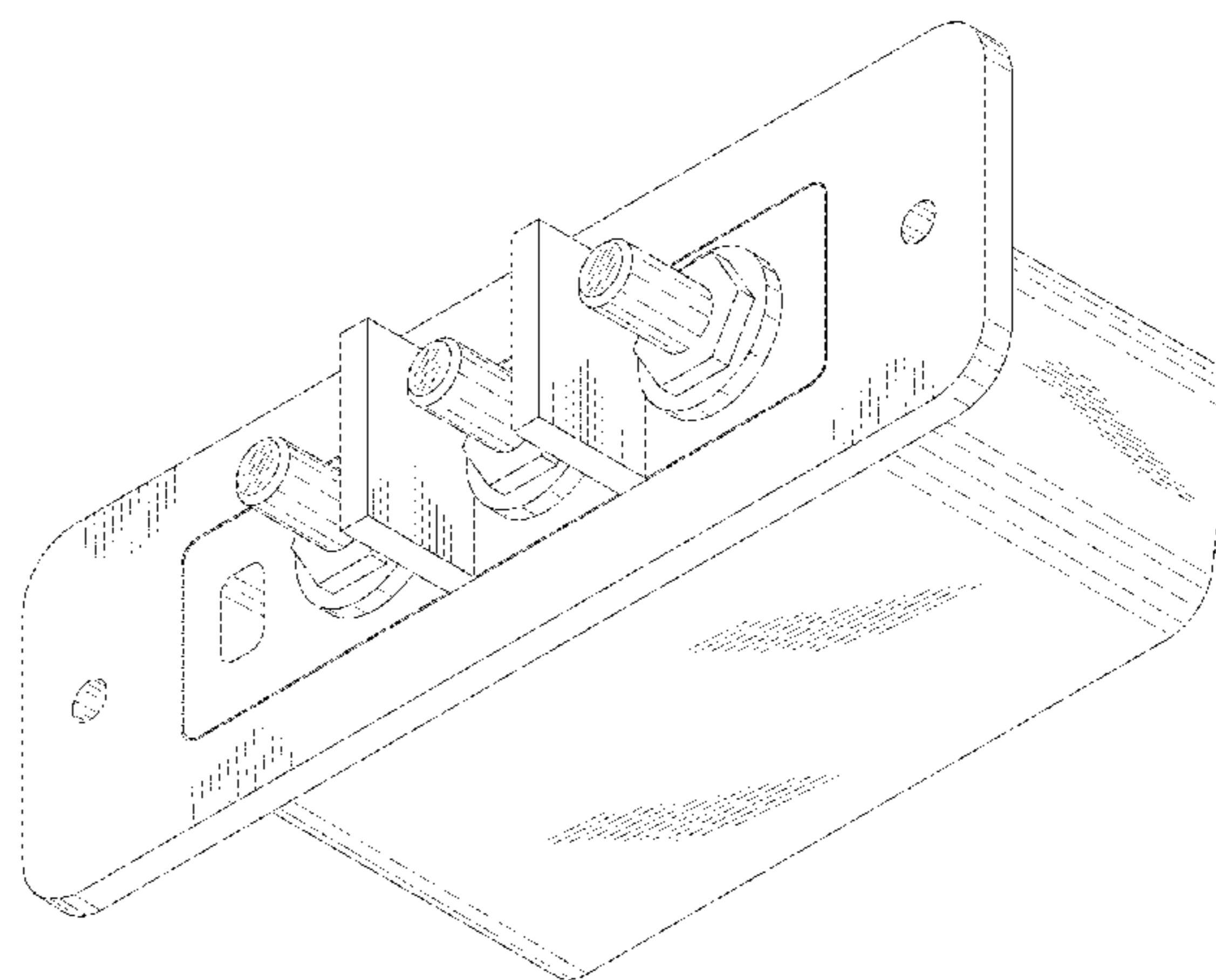
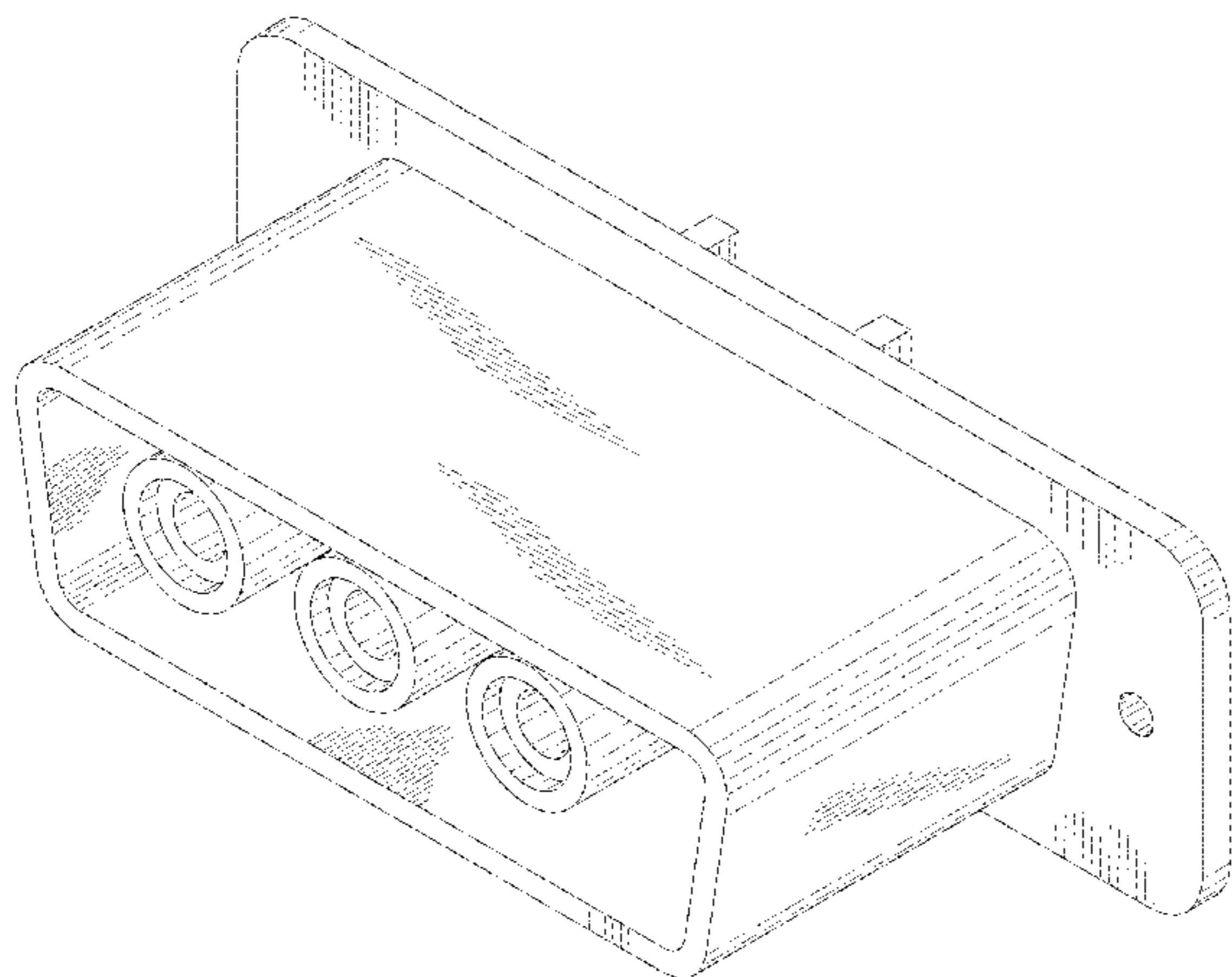
(57) **CLAIM**

The ornamental design for an electrical connector, as shown.

**DESCRIPTION**

FIG. 1 is a front elevational view of an electrical connector showing our new design;  
FIG. 2 is a top plan view thereof;  
FIG. 3 is a right side elevational view thereof;  
FIG. 4 is a left side elevational view thereof;  
FIG. 5 is a rear elevational view thereof; and  
FIG. 6 is a bottom plan view thereof.  
FIG. 7 is a front and top perspective view thereof;  
FIG. 8 is a front and bottom perspective view thereof;  
FIG. 9 is a rear and top perspective view thereof; and,  
FIG. 10 is a rear and bottom perspective view thereof.

**1 Claim, 10 Drawing Sheets**



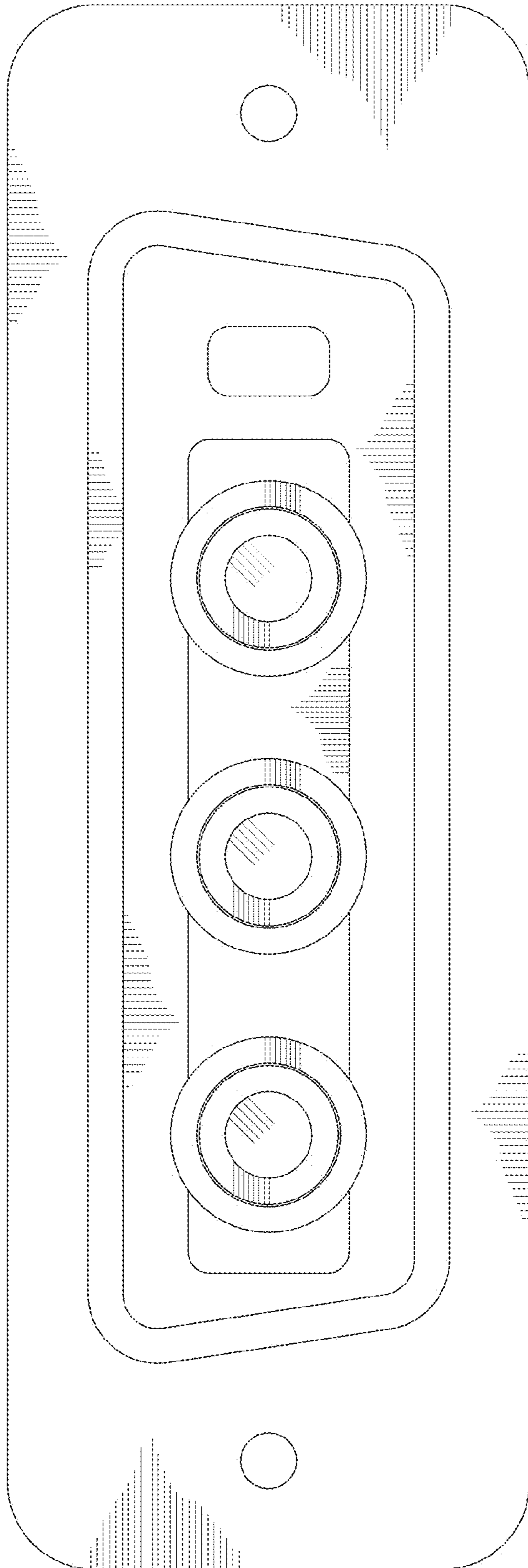


FIG.1

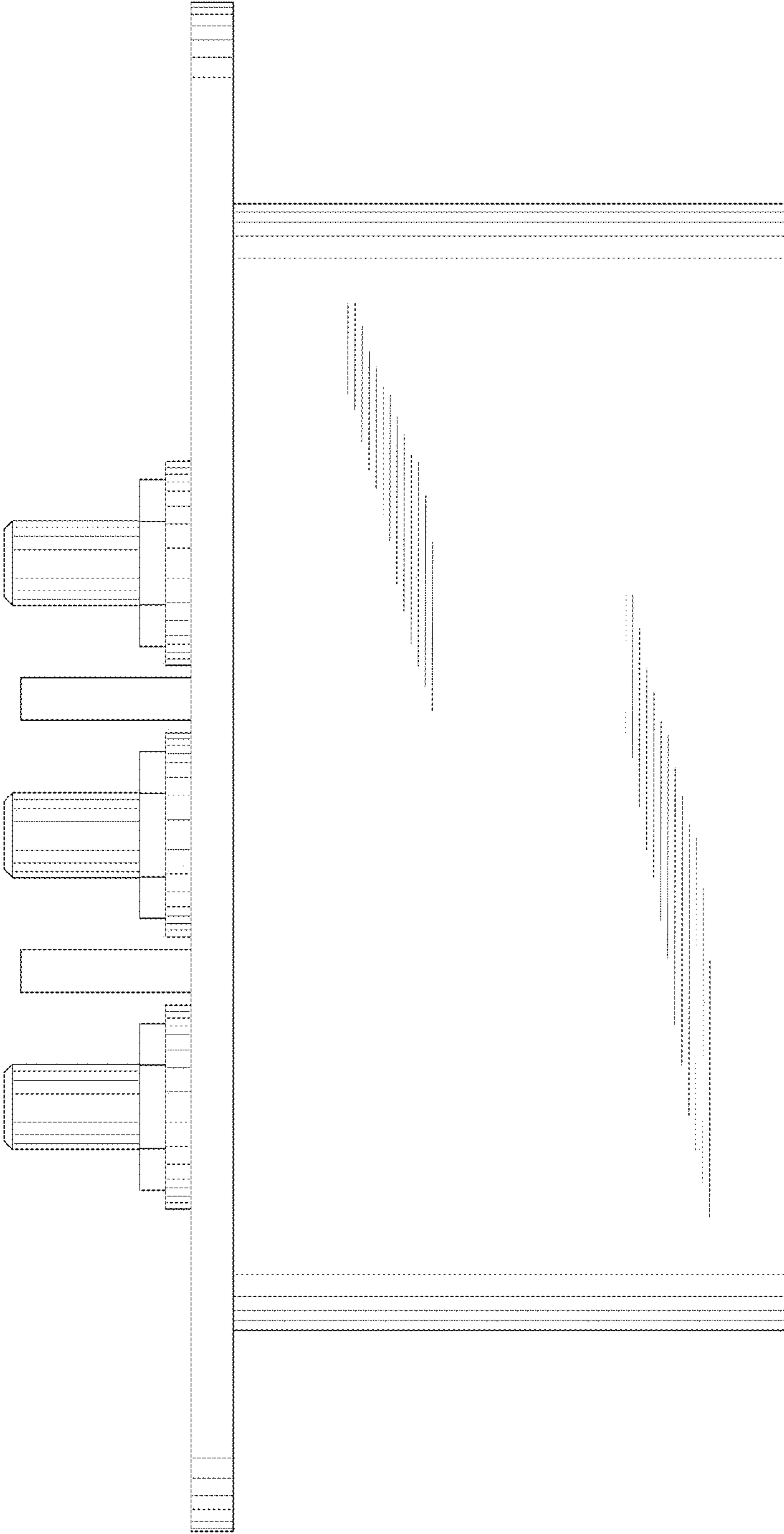


FIG.2

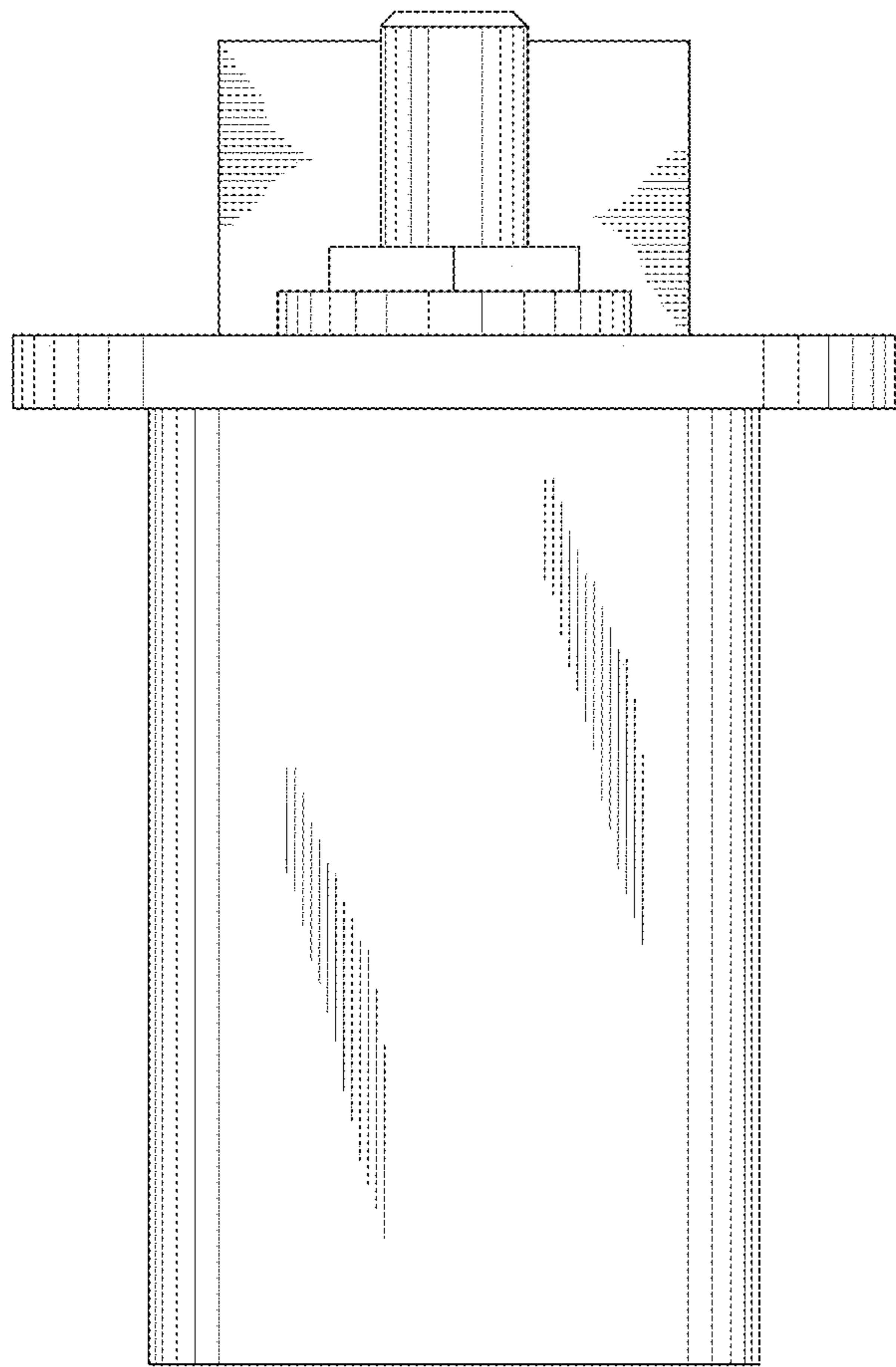


FIG.3

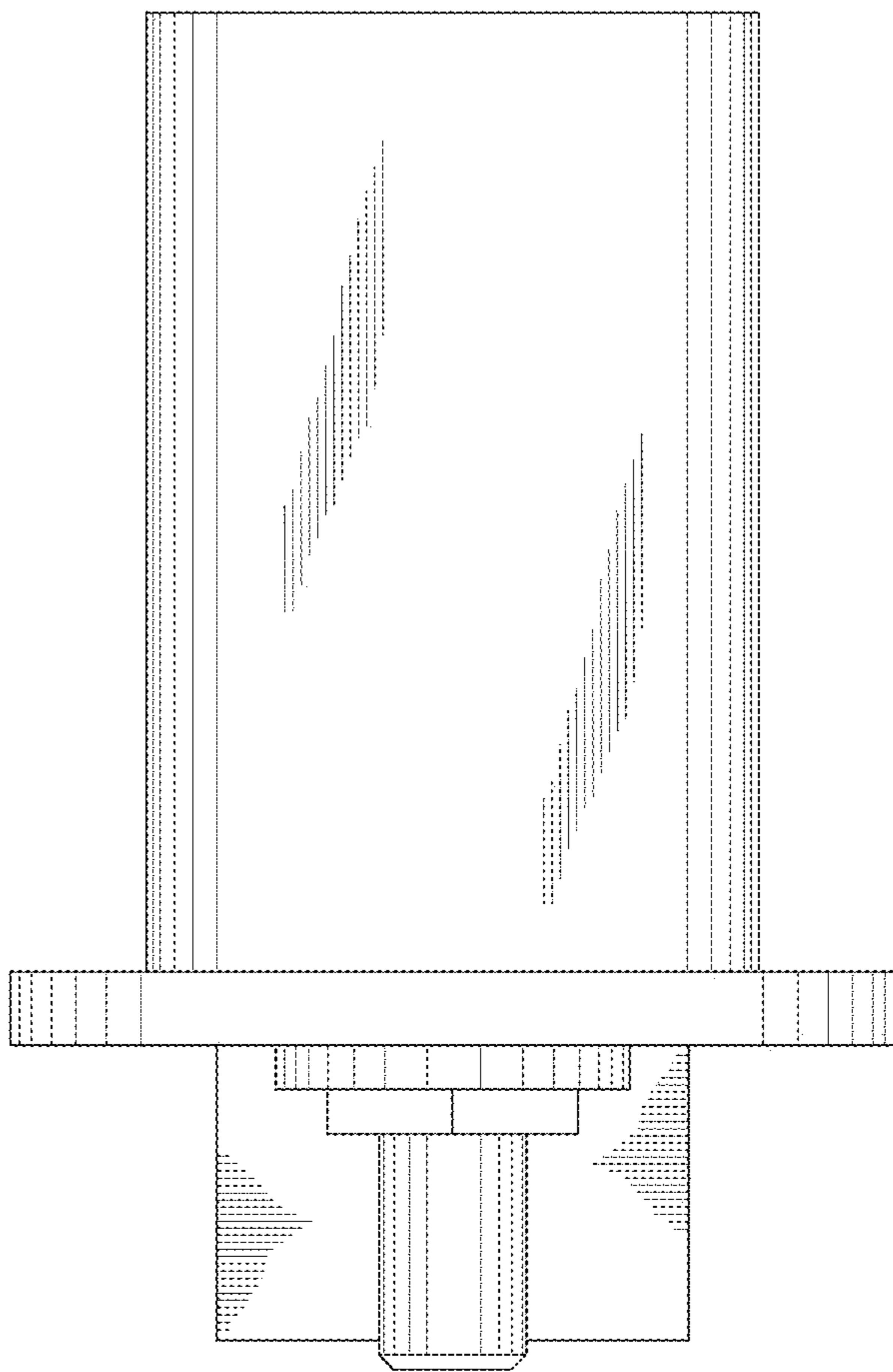


FIG. 4

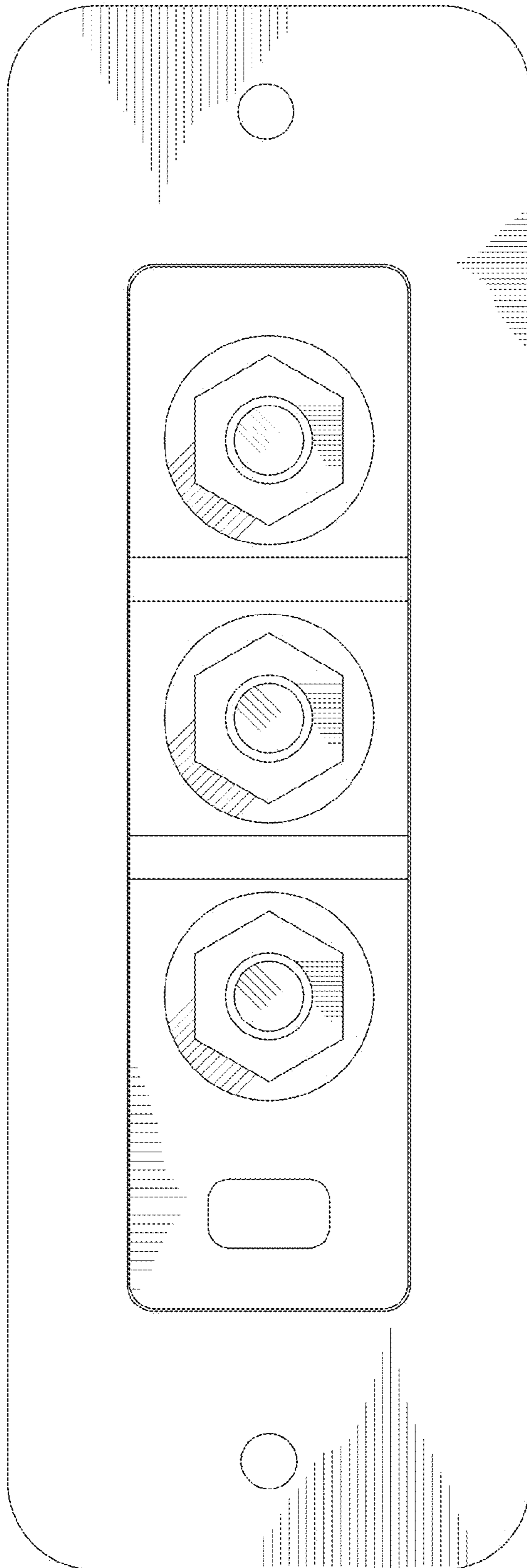


FIG. 5

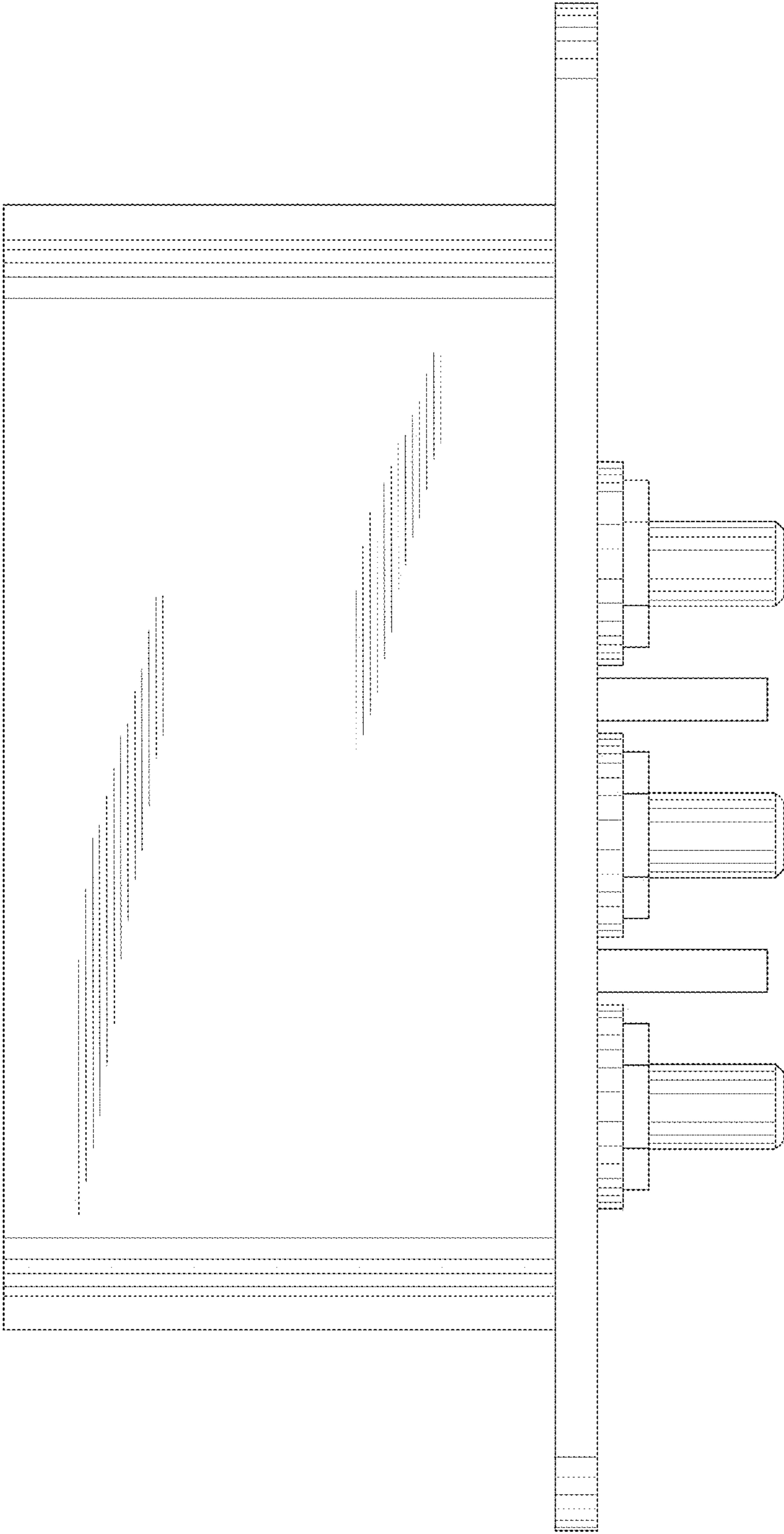


FIG.6

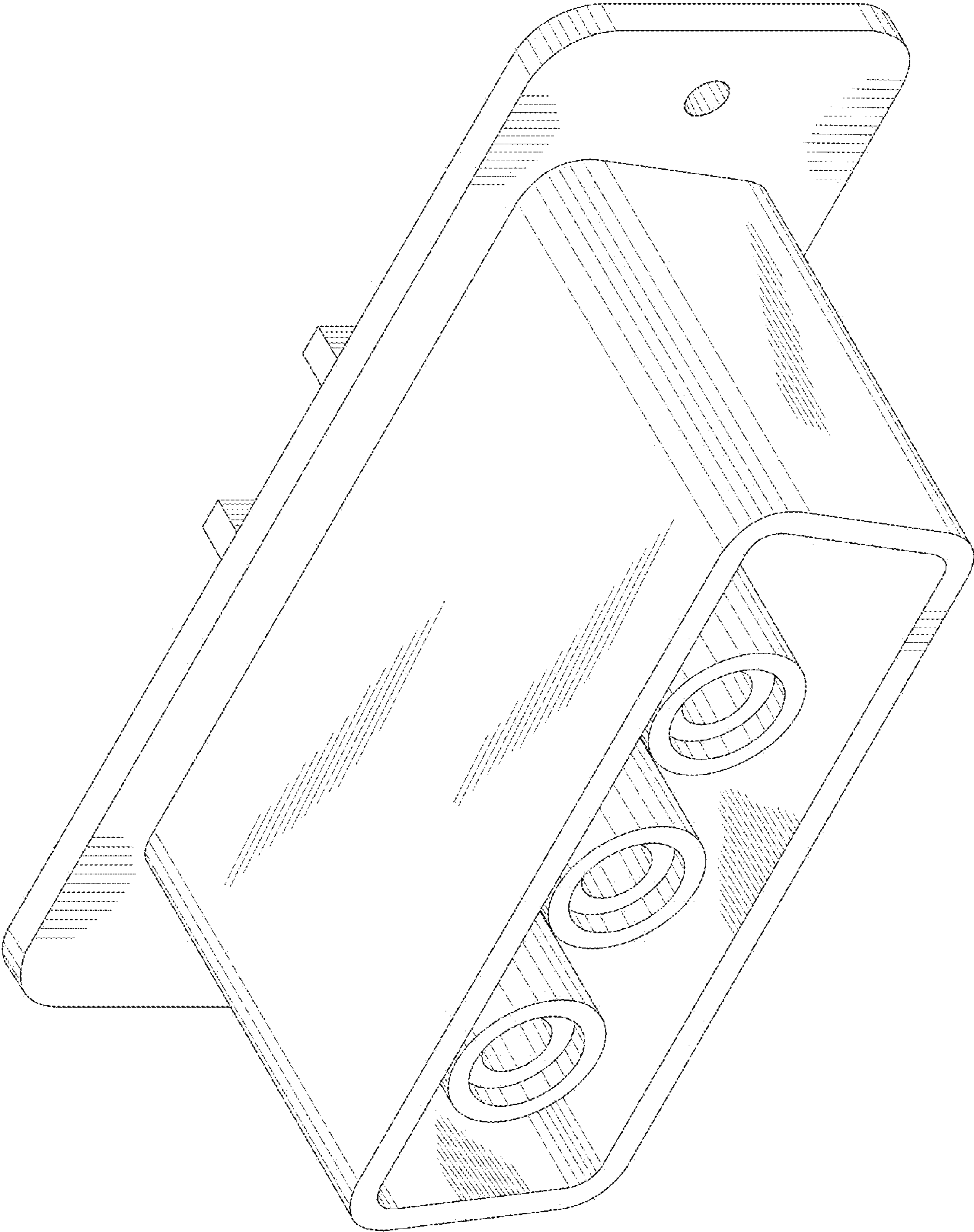


FIG.7



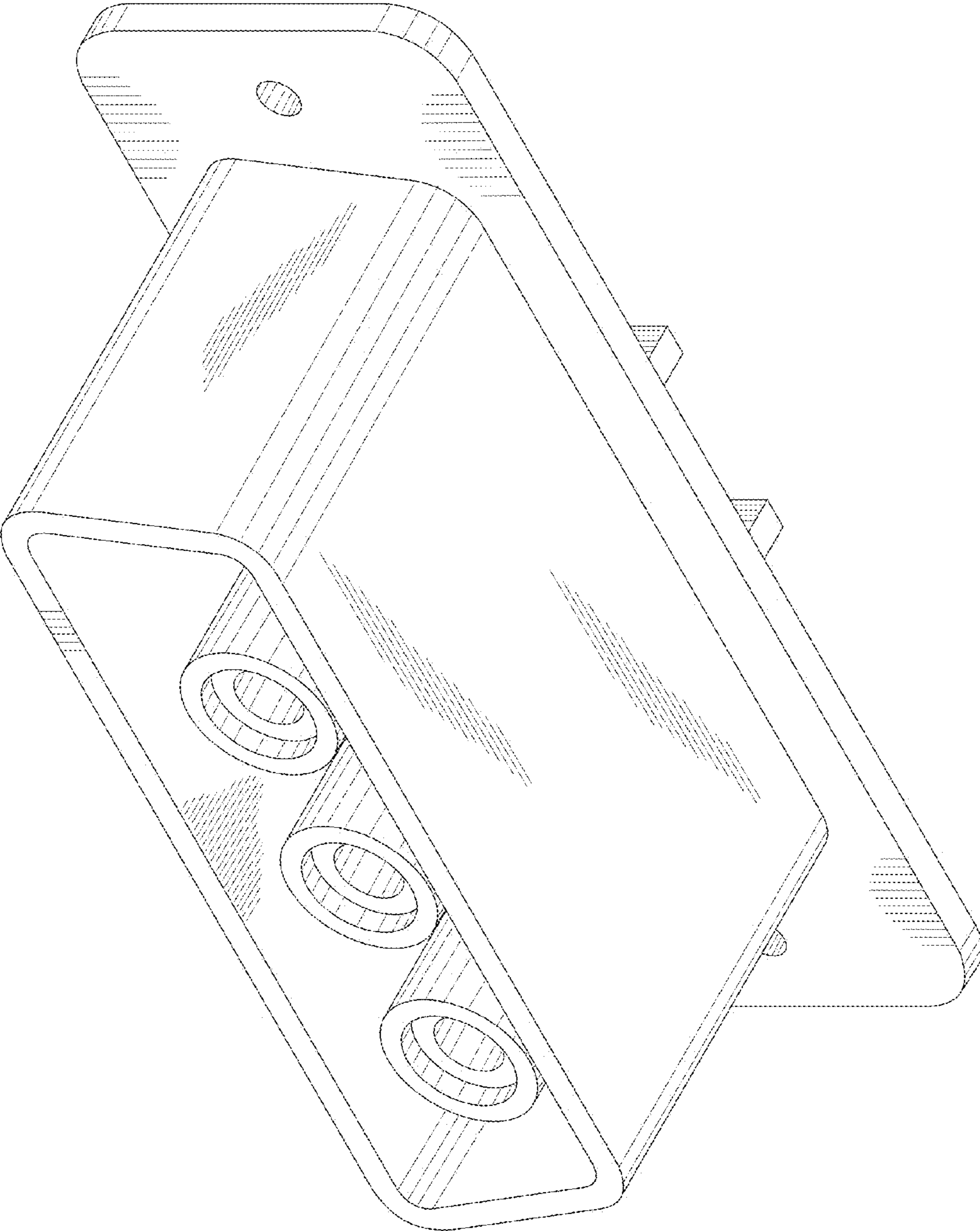


FIG.8

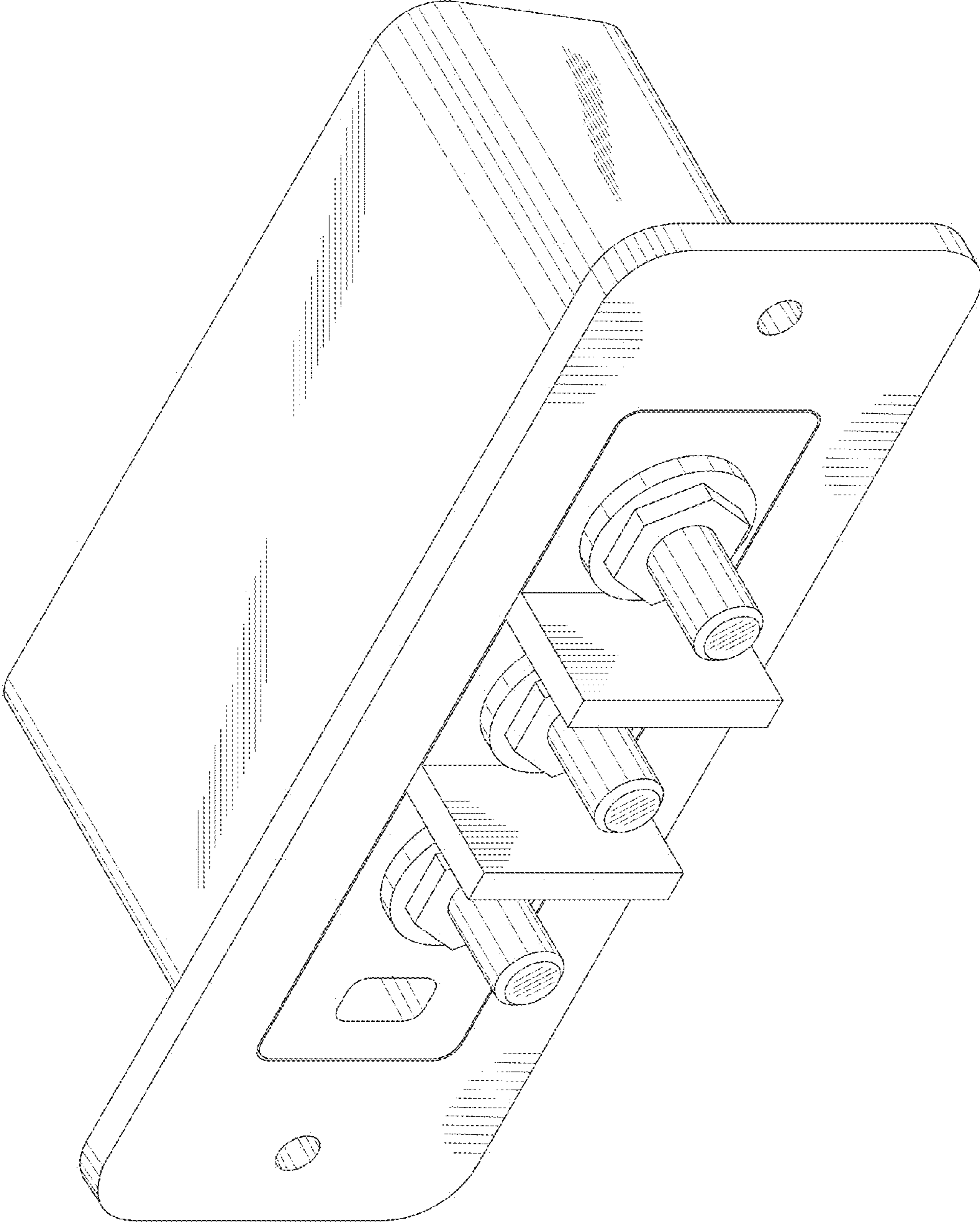


FIG.9

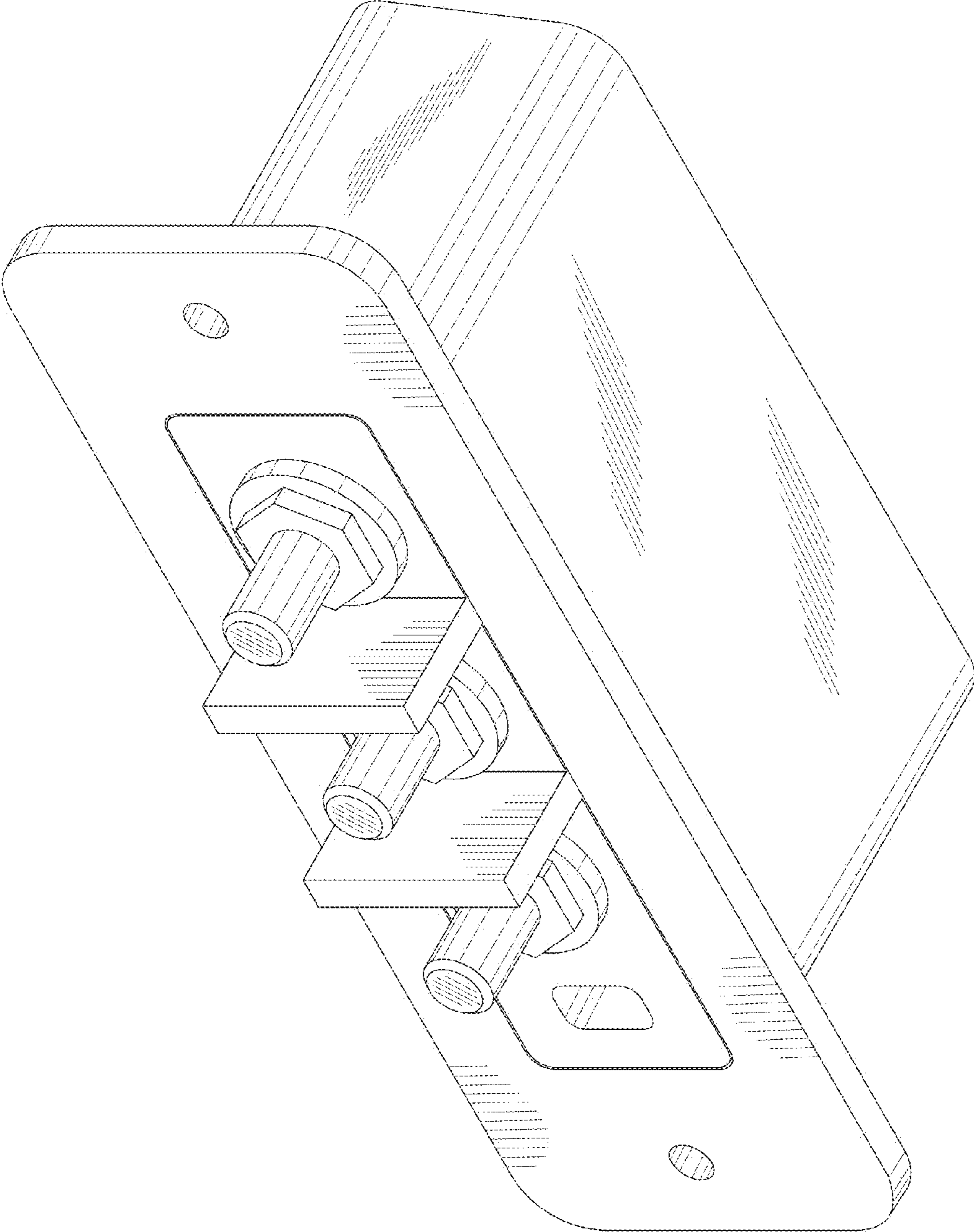


FIG.10