



US00D691086S

(12) **United States Design Patent**
Custon et al.

(10) **Patent No.:** **US D691,086 S**

(45) **Date of Patent:** **** Oct. 8, 2013**

(54) **APPARATUS FOR CHARGING MULTIPLE MOBILE DEVICES**

D594,404 S * 6/2009 Kuo et al. D13/107
D627,718 S * 11/2010 Houghton D13/108
D654,431 S * 2/2012 Stephanchick et al. D13/108

(71) Applicant: **Fonefill, Inc.**, San Diego, CA (US)

* cited by examiner

(72) Inventors: **Charles Custon**, San Diego, CA (US);
Clayton R. Karmel, San Diego, CA (US);
John Hubble, San Diego, CA (US)

Primary Examiner — Rosemary K Tarcza
(74) *Attorney, Agent, or Firm* — Clause Eight IPS; Michael Catania

(73) Assignee: **Fonefill, Inc.**, San Diego, CA (US)

(57) **CLAIM**
The ornamental design for an apparatus for charging multiple mobile devices, as shown and described.

(**) Term: **14 Years**

DESCRIPTION

(21) Appl. No.: **29/440,982**

FIG. 1 is a top plan view of an apparatus for charging multiple mobile devices.

(22) Filed: **Dec. 28, 2012**

FIG. 2 is a bottom plan view of the apparatus for charging multiple mobile devices of FIG. 1.

(51) **LOC (9) Cl.** **13-02**

FIG. 3 is a side elevational view of the apparatus for charging multiple mobile devices of FIG. 1.

(52) **U.S. Cl.**

USPC **D13/108**

FIG. 4 is an opposing side elevational view of the apparatus for charging multiple mobile devices of FIG. 1.

(58) **Field of Classification Search**

USPC D13/107–110, 118–119, 184, 199;
D14/217, 251, 253, 432, 434; 320/107–115
See application file for complete search history.

FIG. 5 is a front elevational view of the apparatus for charging multiple mobile devices of FIG. 1.

FIG. 6 is a back elevational view of the apparatus for charging multiple mobile devices of FIG. 1.

FIG. 7 is top perspective view of the apparatus for charging multiple mobile devices of FIG. 1 with connection cables shown in broken lines; and,

FIG. 8 is a top perspective view of the apparatus for charging multiple mobile devices of FIG. 1 with connection cables and multiple mobile devices positioned within the apparatus shown in broken lines.

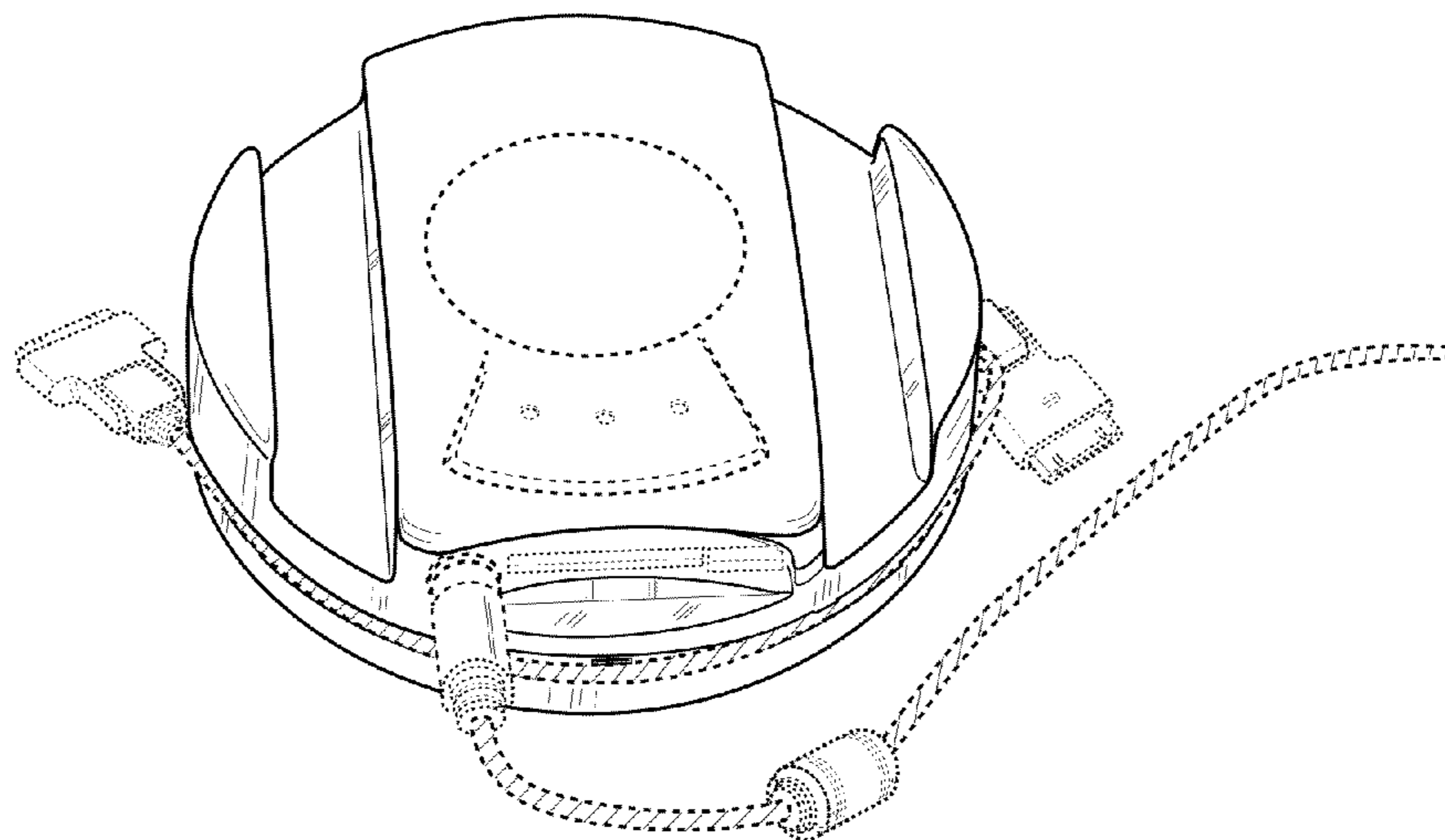
The broken lines in the drawings represent the environmental subject matter and form no part of the claimed design.

(56) **References Cited**

U.S. PATENT DOCUMENTS

D300,678	S	*	4/1989	Barrault	D32/73
D475,417	S	*	6/2003	Wintersteiger	D21/329
D476,376	S	*	6/2003	Wintersteiger	D21/329
D508,458	S	*	8/2005	Solland et al.	D13/108
D537,409	S	*	2/2007	Suzuki	D13/108
D548,688	S	*	8/2007	Fee et al.	D13/107
D558,209	S	*	12/2007	Ikeda et al.	D14/434
D585,898	S	*	2/2009	Skurdal	D14/434

1 Claim, 4 Drawing Sheets



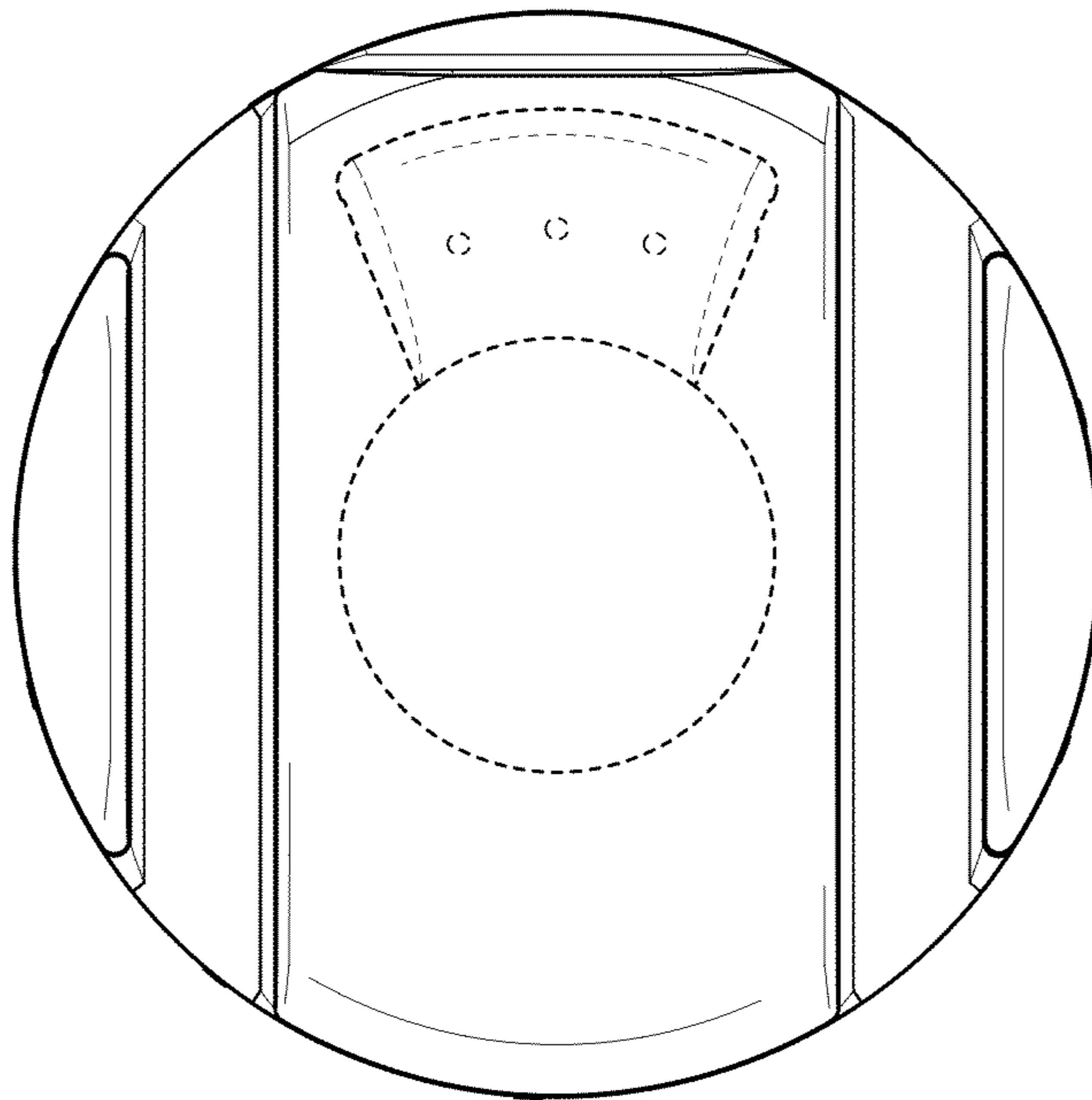


FIG. 1

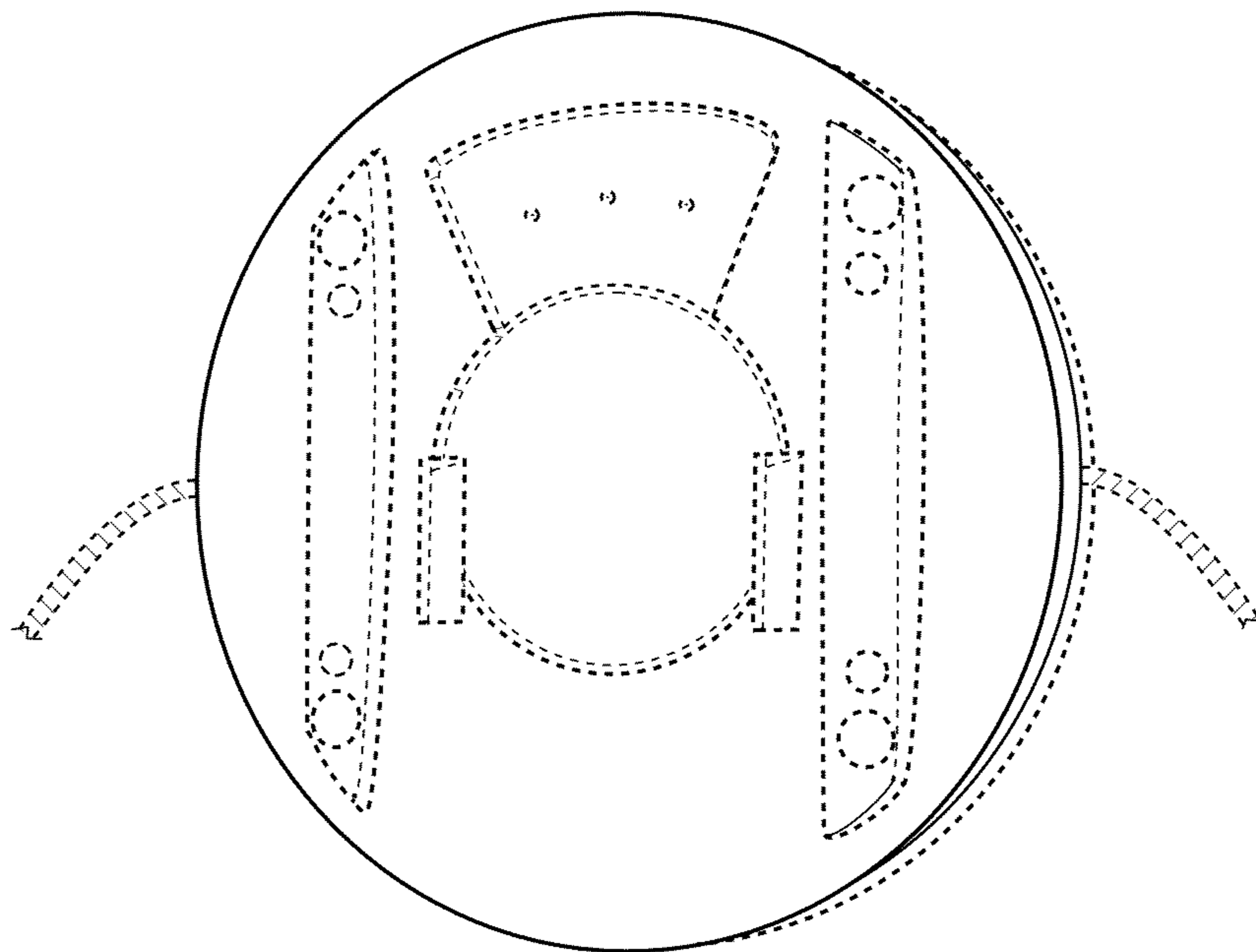


FIG. 2

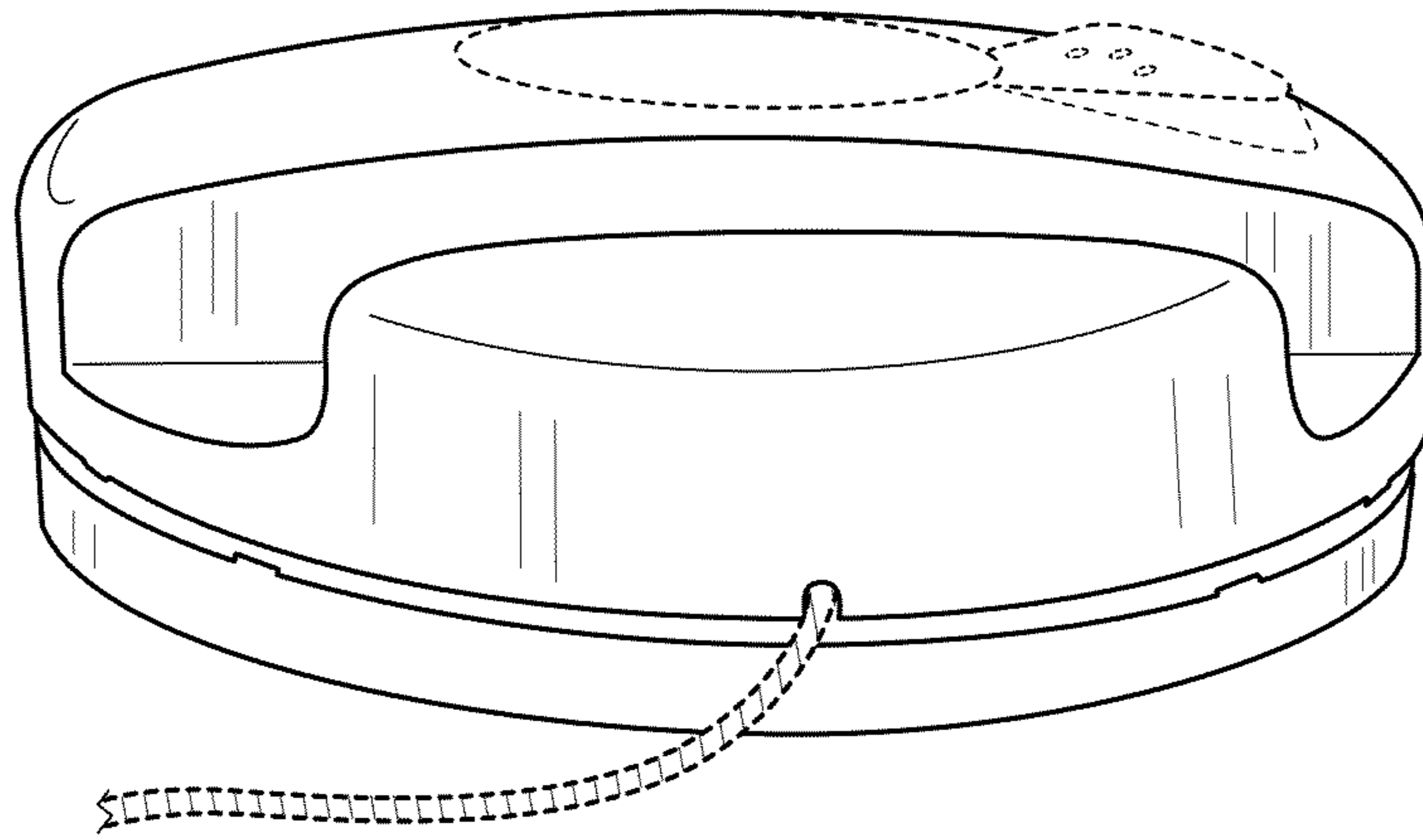


FIG. 3

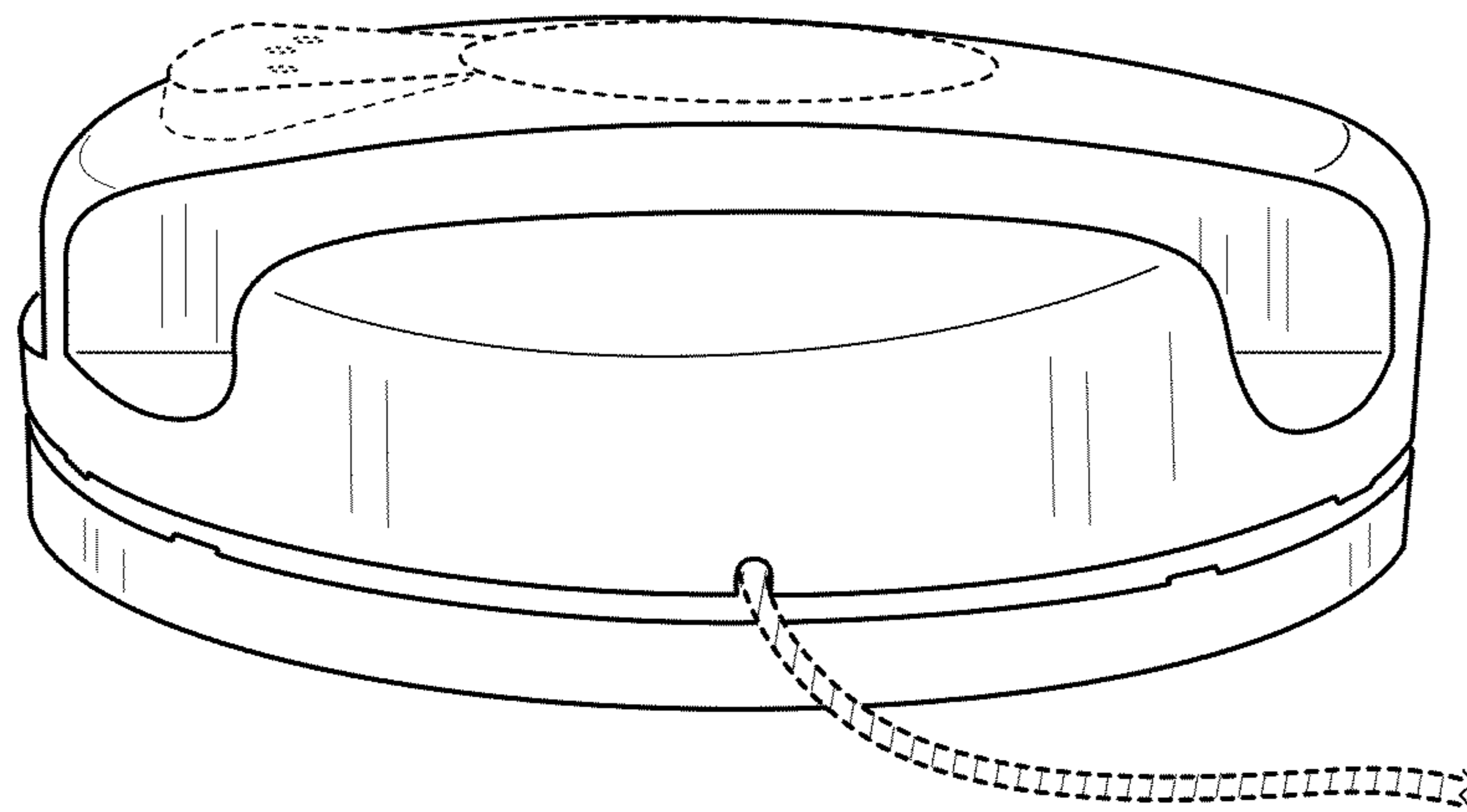


FIG. 4

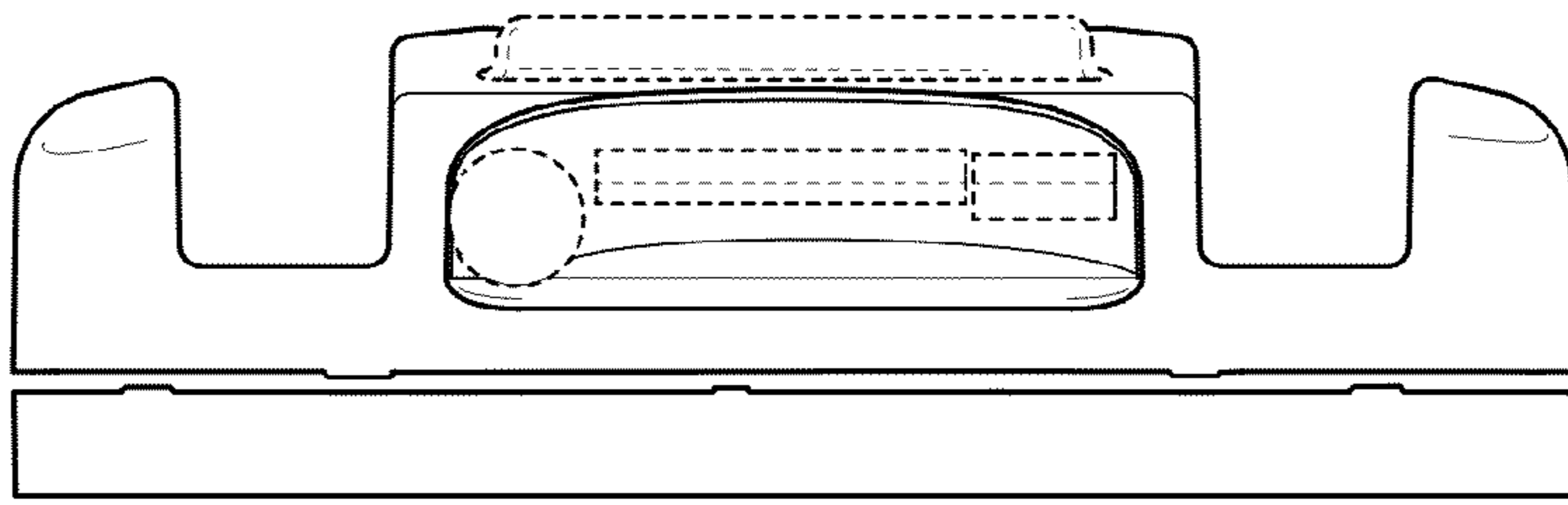


FIG. 5

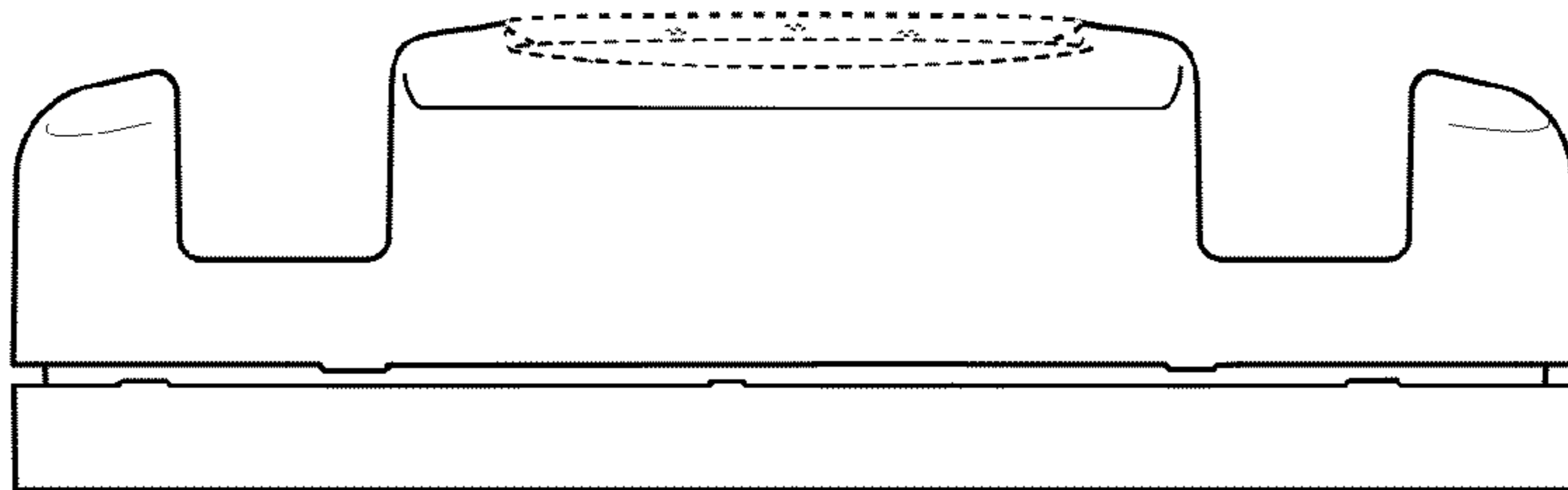


FIG. 6

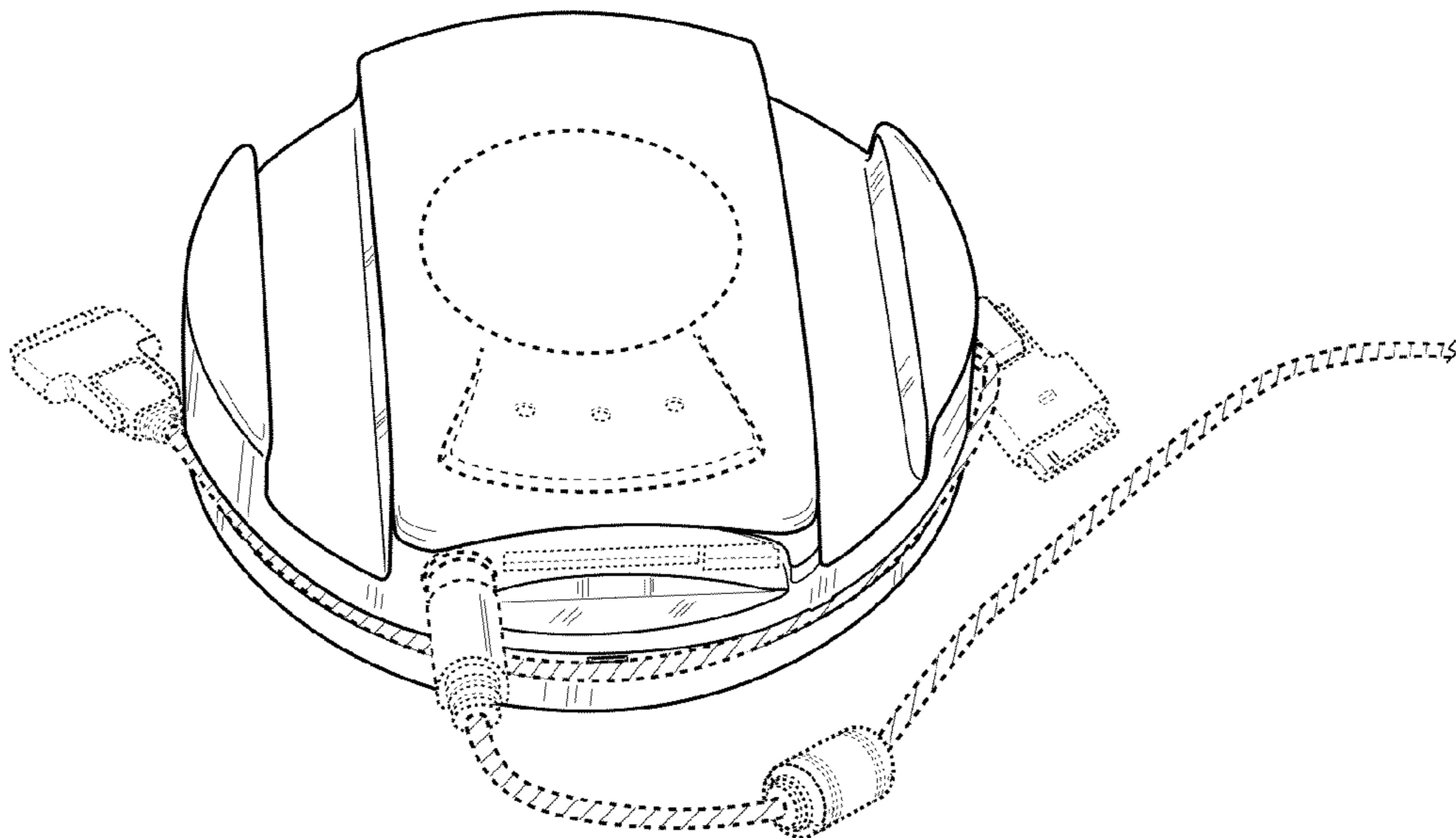


FIG. 7

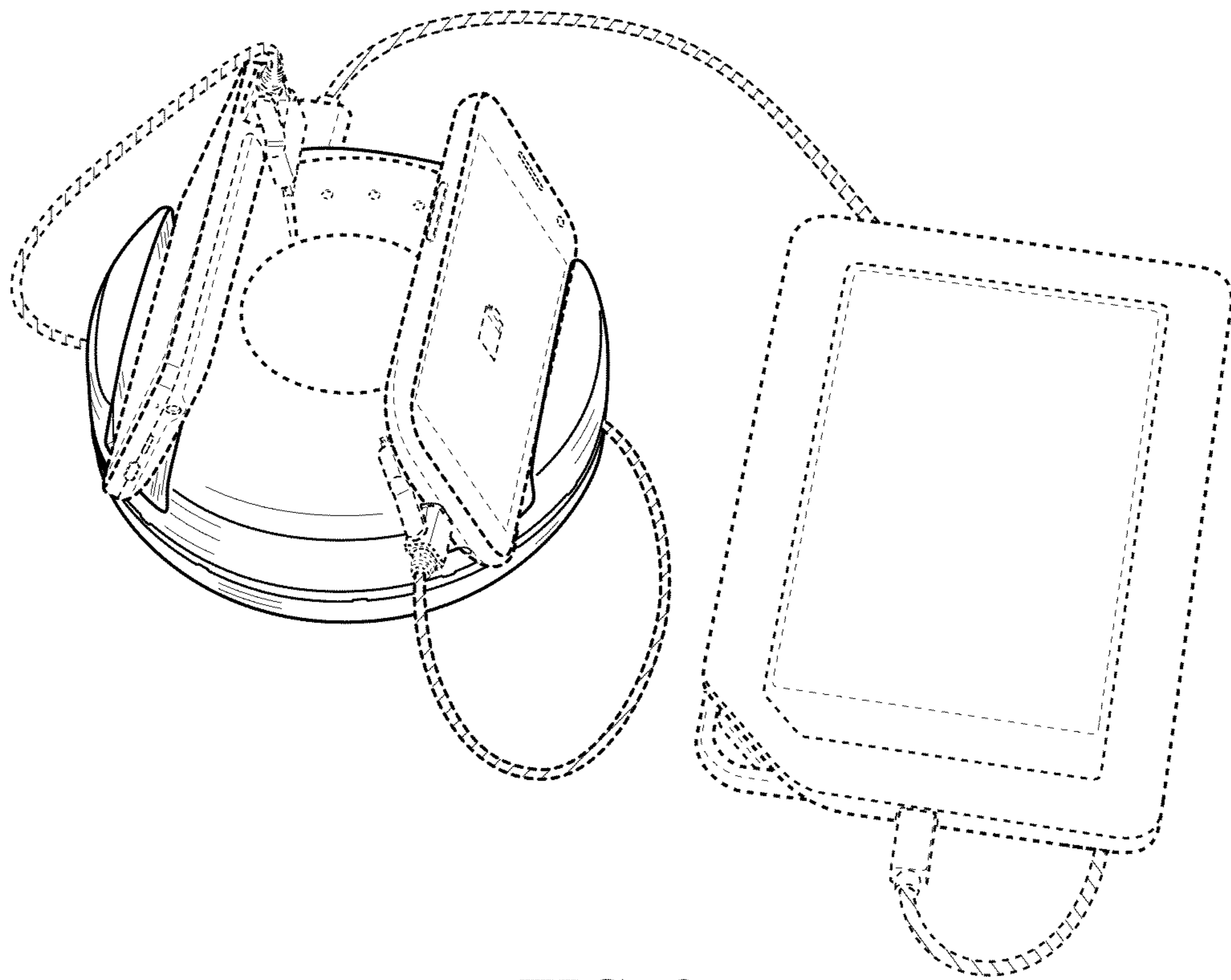


FIG. 8