

US00D691085S

(12) **United States Design Patent**
Shargots et al.

(10) **Patent No.:** **US D691,085 S**

(45) **Date of Patent:** **** Oct. 8, 2013**

(54) **REACTOR VESSEL**

(75) Inventors: **Scott J. Shargots**, Forest, VA (US);
Matthew W. Ales, Forest, VA (US)

(73) Assignee: **Babcock & Wilcox Nuclear Energy, Inc.**, Charlotte, NC (US)

(**) Term: **14 Years**

(21) Appl. No.: **29/402,102**

(22) Filed: **Sep. 21, 2011**

(51) **LOC (9) Cl.** **13-02**

(52) **U.S. Cl.**
USPC **D13/101**

(58) **Field of Classification Search**
USPC D13/101, 184, 199; 376/220, 228,
376/327, 347, 384, 389; 422/129, 139, 140,
422/141, 145; 976/DIG. 168, DIG. 180-DIG.
185, DIG. 265; 60/508
See application file for complete search history.

(56) **References Cited**

U.S. PATENT DOCUMENTS

194,729	A *	8/1877	Sangster	422/106
1,968,940	A *	8/1934	Gross	392/342
3,733,251	A *	5/1973	Gilbertson et al.	376/233
T942002	I4 *	1/1976	Roman et al.	376/233
3,959,072	A *	5/1976	Dupen	376/237
4,019,954	A *	4/1977	Giordano et al.	376/234

4,678,623	A *	7/1987	Malandra et al.	376/260
4,851,186	A *	7/1989	Berte et al.	376/364
4,938,918	A *	7/1990	Weiss	376/260
7,601,304	B1 *	10/2009	Palmas et al.	422/140

* cited by examiner

Primary Examiner — Derrick Holland

Assistant Examiner — Lauren Calve

(74) *Attorney, Agent, or Firm* — Michael J. Seymour; Eric Marich

(57) **CLAIM**

I claim the ornamental design for a reactor vessel, as shown and described.

DESCRIPTION

FIG. 1 is a front perspective view of a reactor vessel according to the present invention;

FIG. 2 is a front view thereof;

FIG. 3 is a left side view thereof;

FIG. 4 is a right side view thereof;

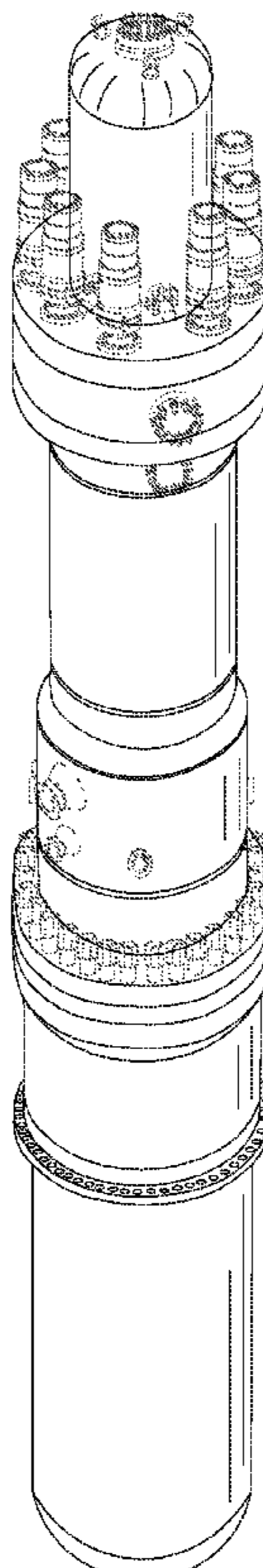
FIG. 5 is a rear view thereof;

FIG. 6 is a top view thereof; and,

FIG. 7 is a bottom view thereof.

The broken line showing of a reactor vessel represents unclaimed subject matter and forms no part of the claimed design.

1 Claim, 6 Drawing Sheets



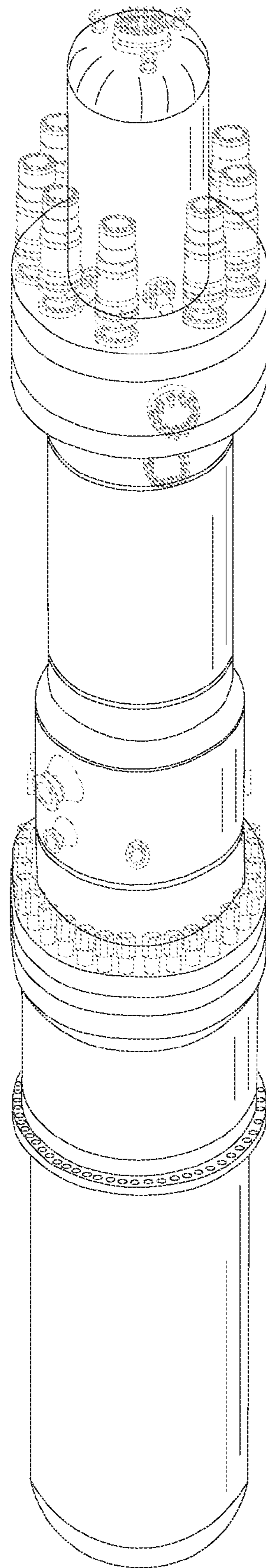


FIG. 1

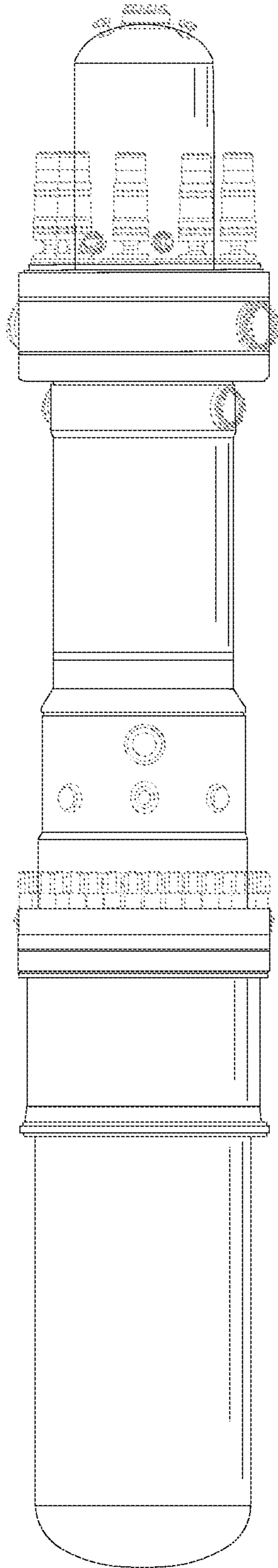


FIG. 2

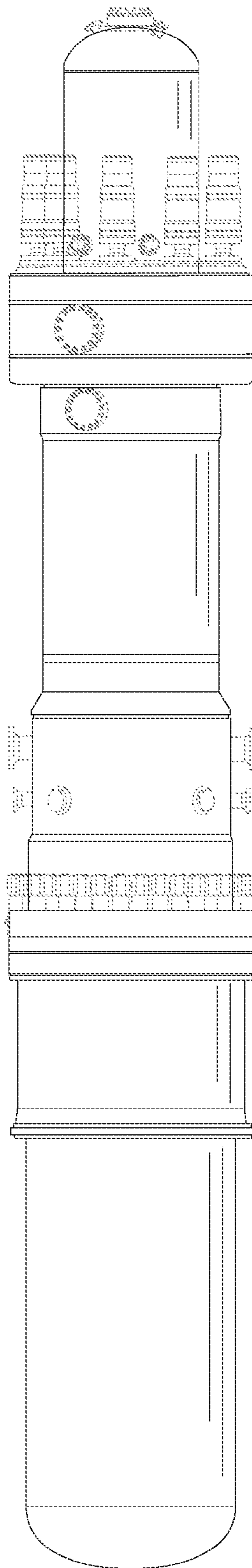


FIG. 3

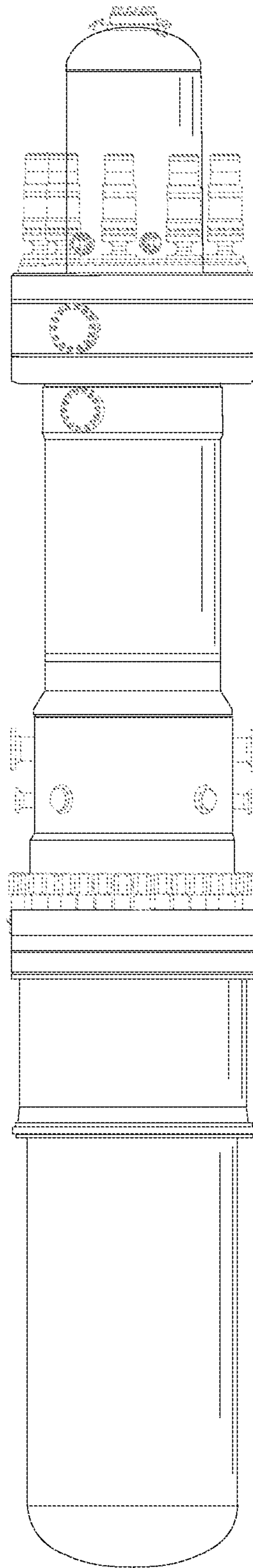


FIG. 4

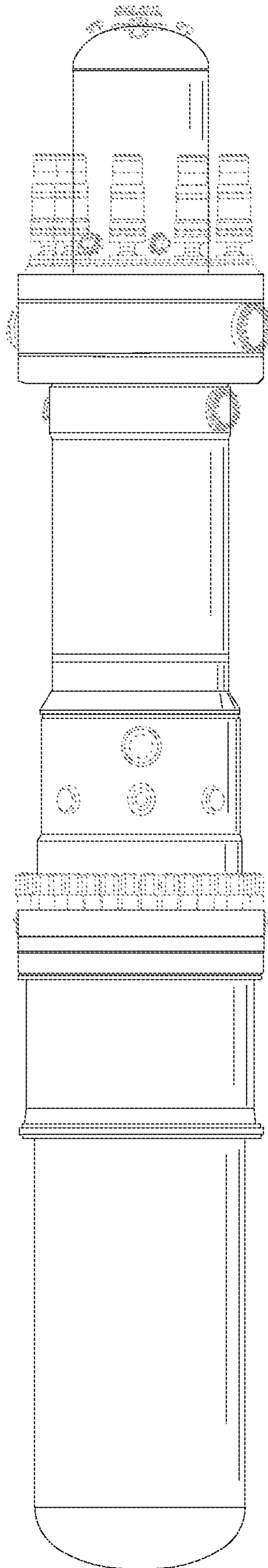


FIG. 5

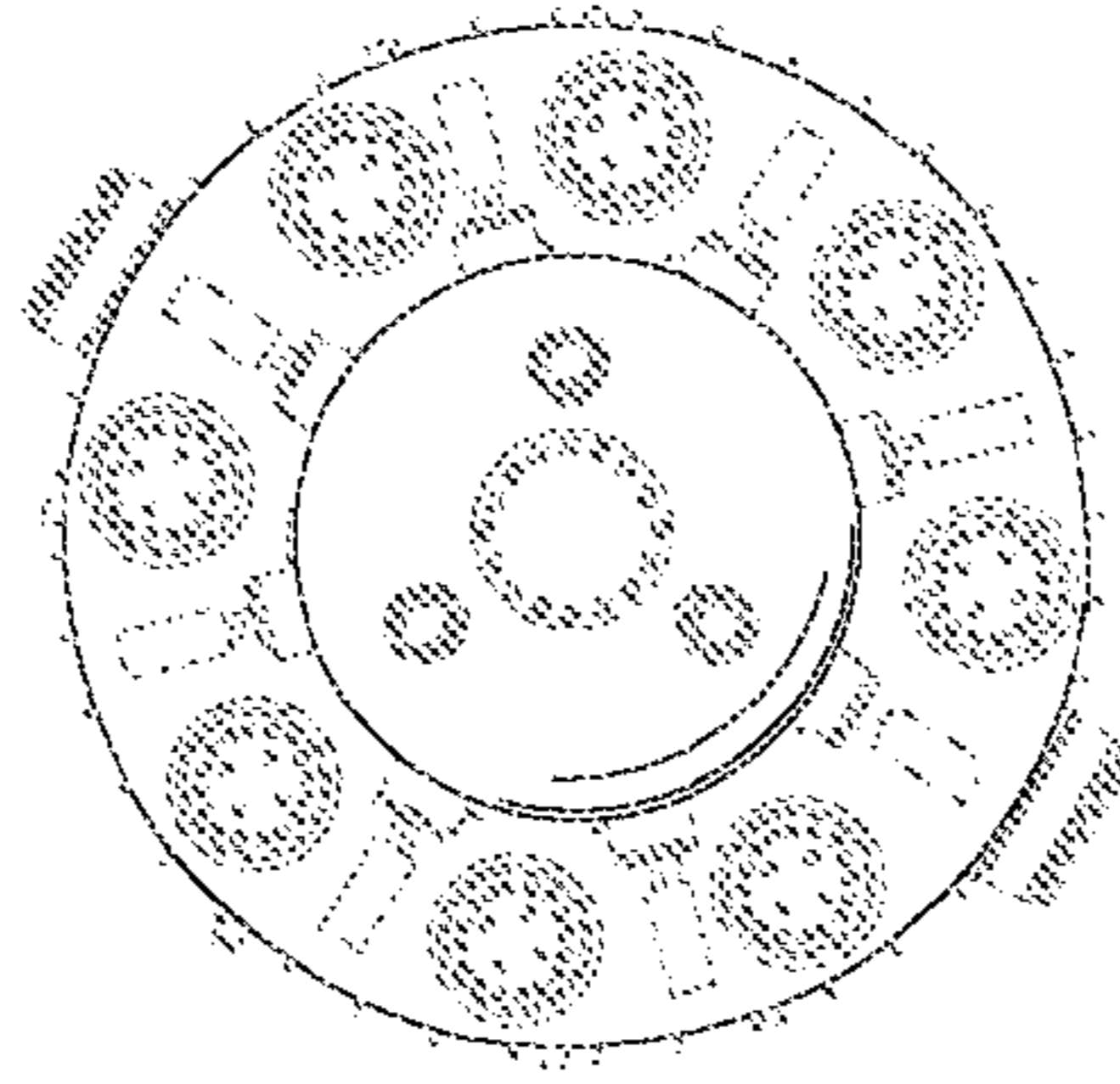


FIG. 6

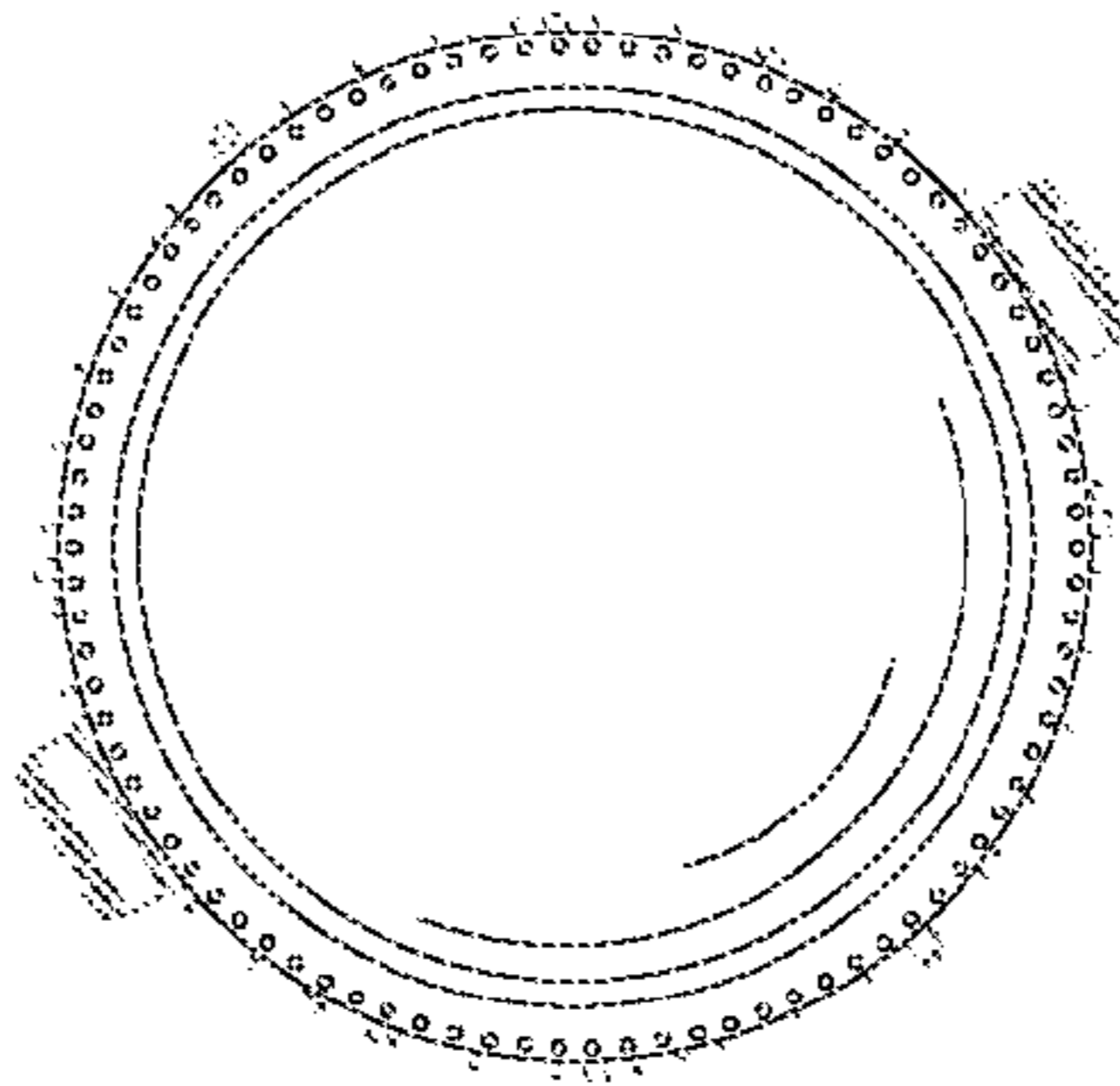


FIG. 7