



US00D691084S

(12) **United States Design Patent**  
**Ales**

(10) **Patent No.:** **US D691,084 S**

(45) **Date of Patent:** **\*\* Oct. 8, 2013**

(54) **REACTOR VESSEL**

(75) Inventor: **Mathew W. Ales**, Forest, VA (US)

(73) Assignee: **Babcock & Wilcox Nuclear Energy, Inc.**, Charlotte, NC (US)

(\*\*) Term: **14 Years**

(21) Appl. No.: **29/389,704**

(22) Filed: **Apr. 15, 2011**

(51) **LOC (9) Cl.** ..... **13-02**

(52) **U.S. Cl.**  
USPC ..... **D13/101**

(58) **Field of Classification Search**

USPC ..... D13/101, 184, 199; 376/220, 228,  
376/327, 347, 384, 389; 422/129, 139, 140,  
422/141, 145; 976/DIG. 168, DIG. 180-DIG.  
185, DIG. 265; 60/508

See application file for complete search history.

(56) **References Cited**

**U.S. PATENT DOCUMENTS**

194,729	A *	8/1877	Sangster	.....	422/106
1,968,940	A *	8/1934	Gross	.....	392/342
3,733,251	A *	5/1973	Gilbertson et al.	.....	376/233
T942002	I4 *	1/1976	Roman et al.	.....	376/233
3,959,072	A *	5/1976	Dupen	.....	376/237

4,019,954	A *	4/1977	Giordano et al.	.....	376/234
4,938,918	A *	7/1990	Weiss	.....	376/260
5,533,074	A *	7/1996	Mansell	.....	376/258
7,601,304	B1 *	10/2009	Palmas et al.	.....	422/140

\* cited by examiner

*Primary Examiner* — Derrick Holland

*Assistant Examiner* — Lauren Calve

(74) *Attorney, Agent, or Firm* — Michael J. Seymour; Eric Marich

(57) **CLAIM**

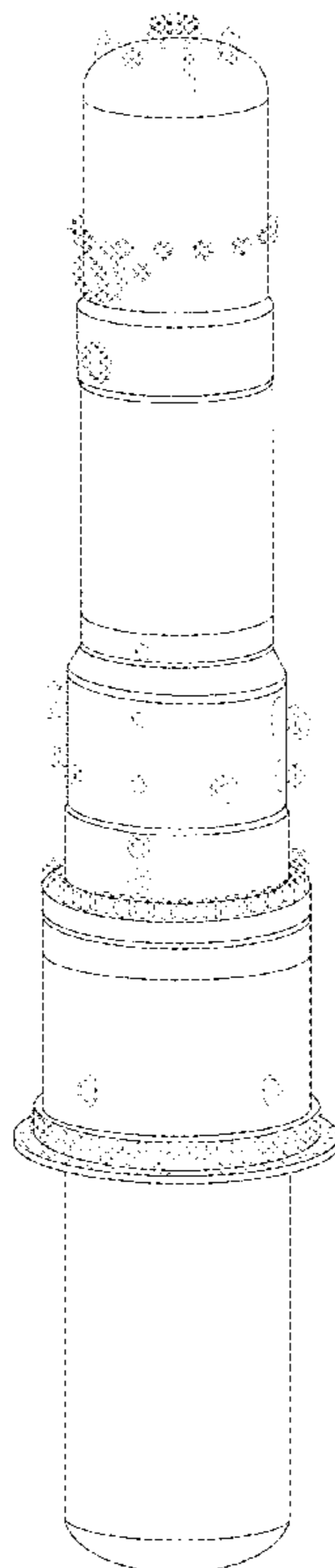
I claim the ornamental design for a reactor vessel, as shown and described.

**DESCRIPTION**

FIG. 1 is a front perspective view of a reactor vessel according to the present invention;  
FIG. 2 is a front view thereof;  
FIG. 3 is a left side view thereof;  
FIG. 4 is a right side view thereof;  
FIG. 5 is a rear view thereof;  
FIG. 6 is a top view thereof; and,  
FIG. 7 is a bottom view thereof.

The broken line showing of a reactor vessel represents unclaimed subject matter and forms no part of the claimed design.

**1 Claim, 6 Drawing Sheets**



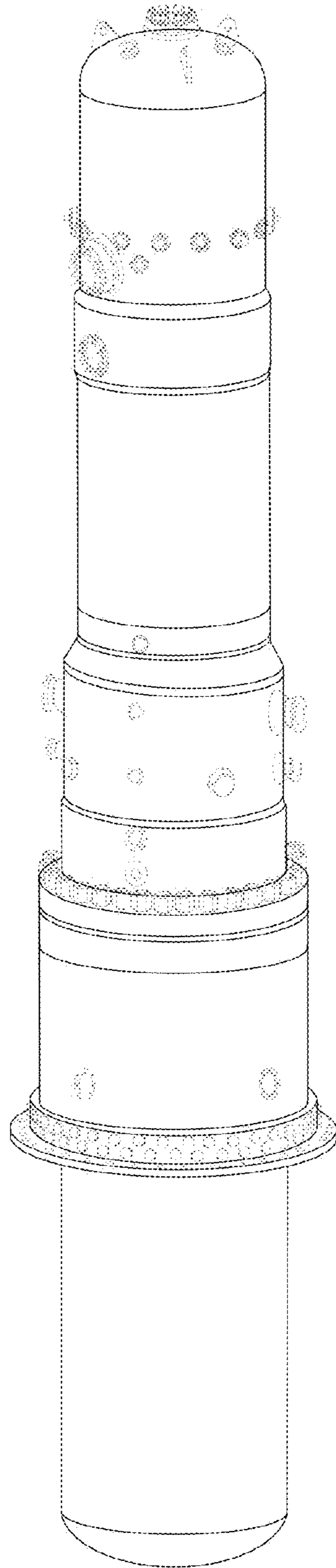


FIG. 1

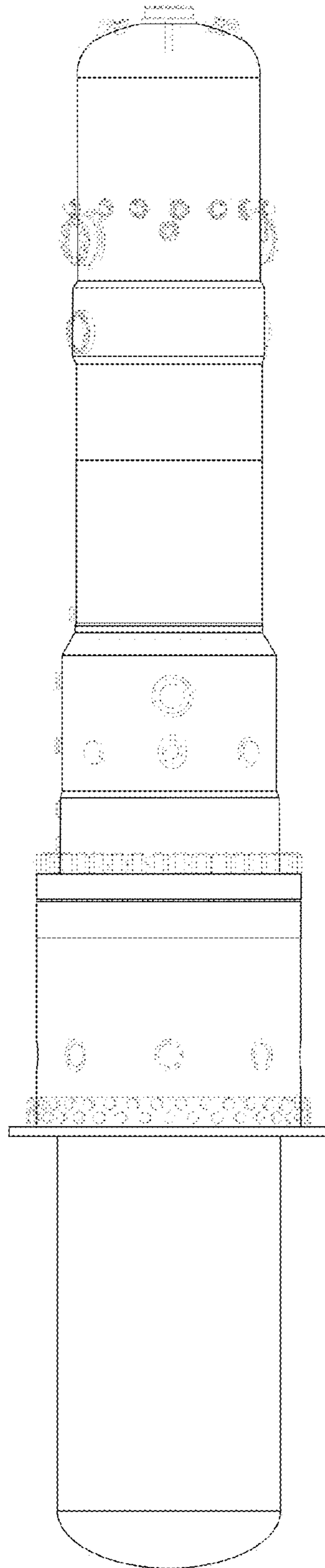


FIG. 2

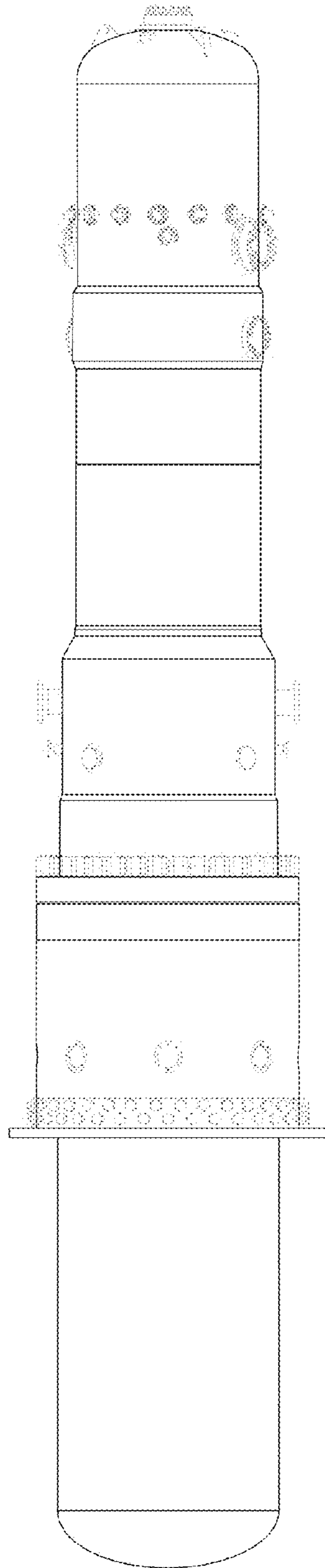


FIG. 3

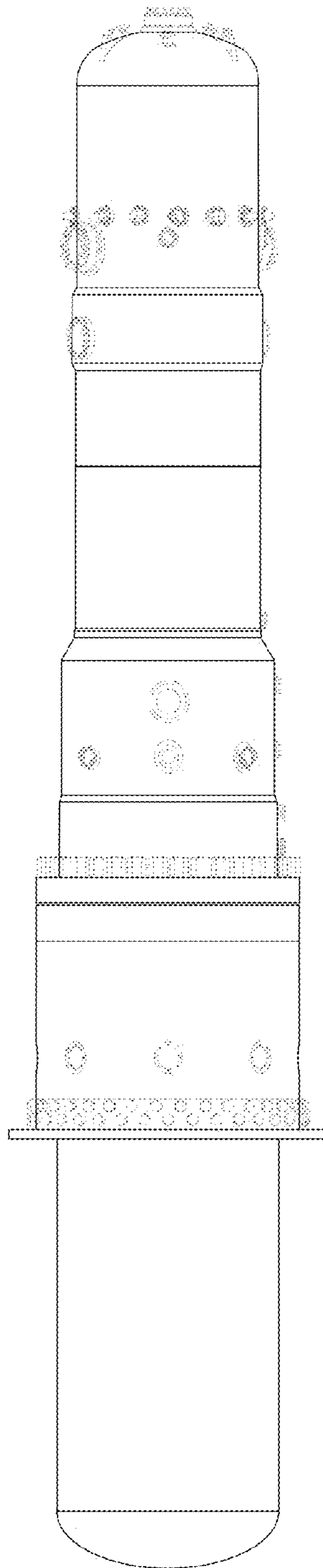


FIG. 4

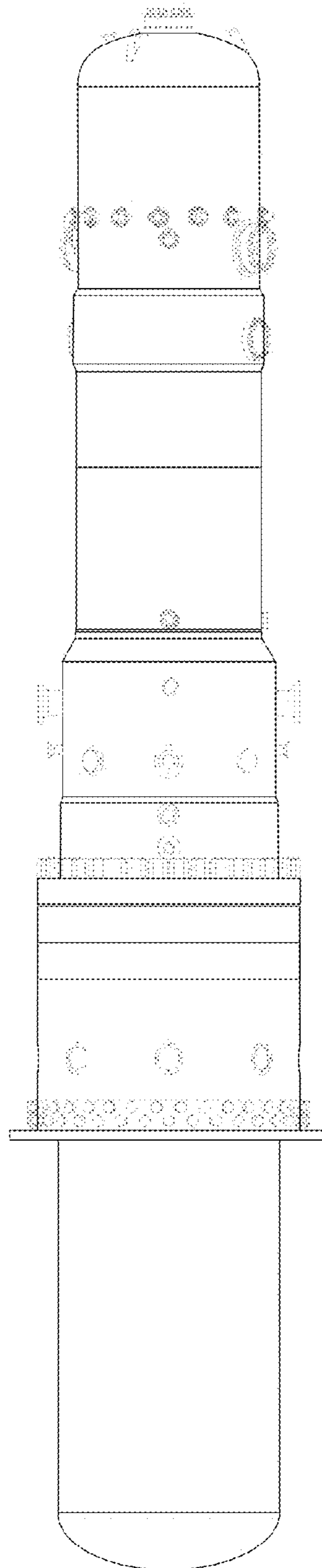


FIG. 5

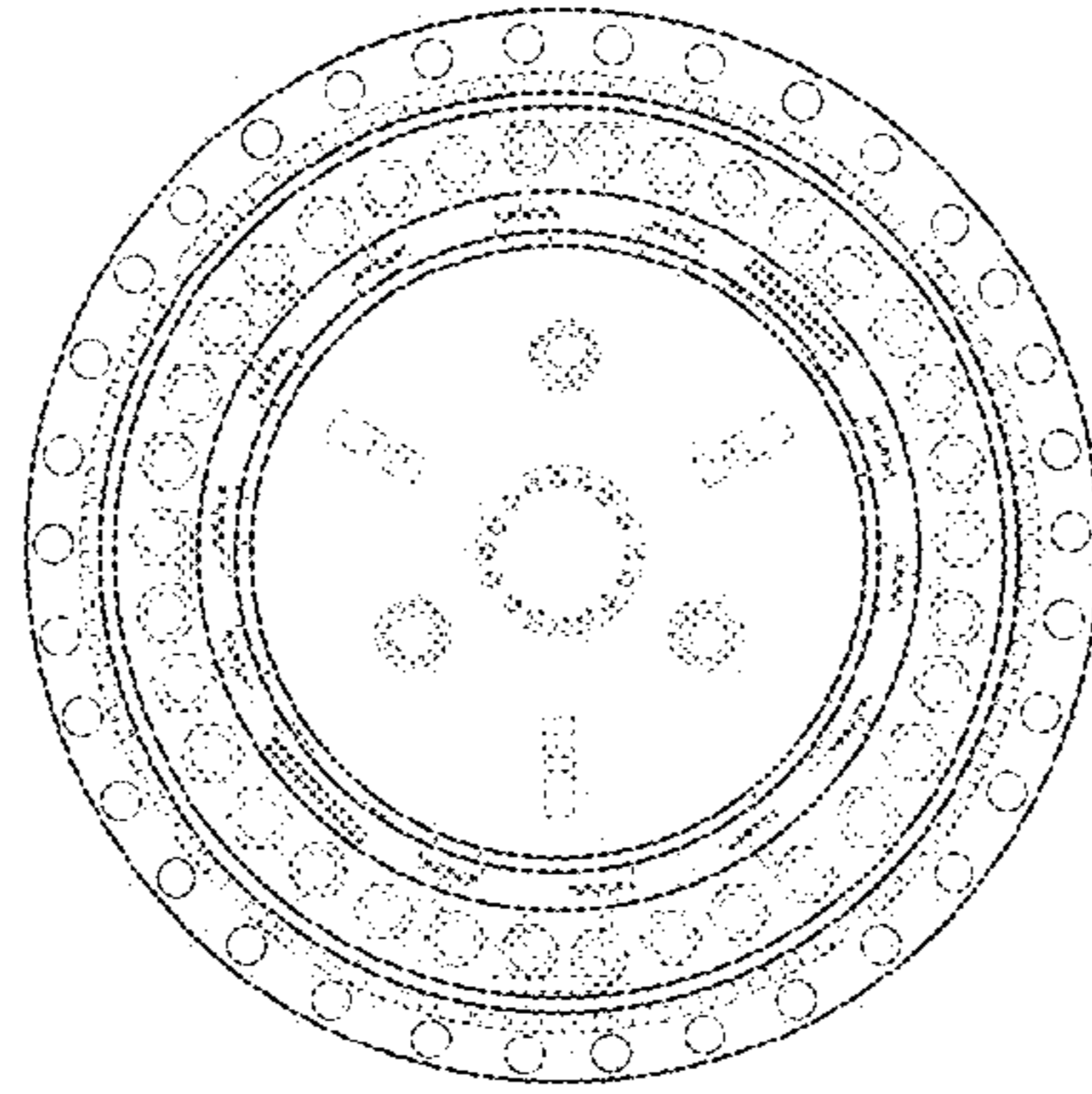


FIG. 6

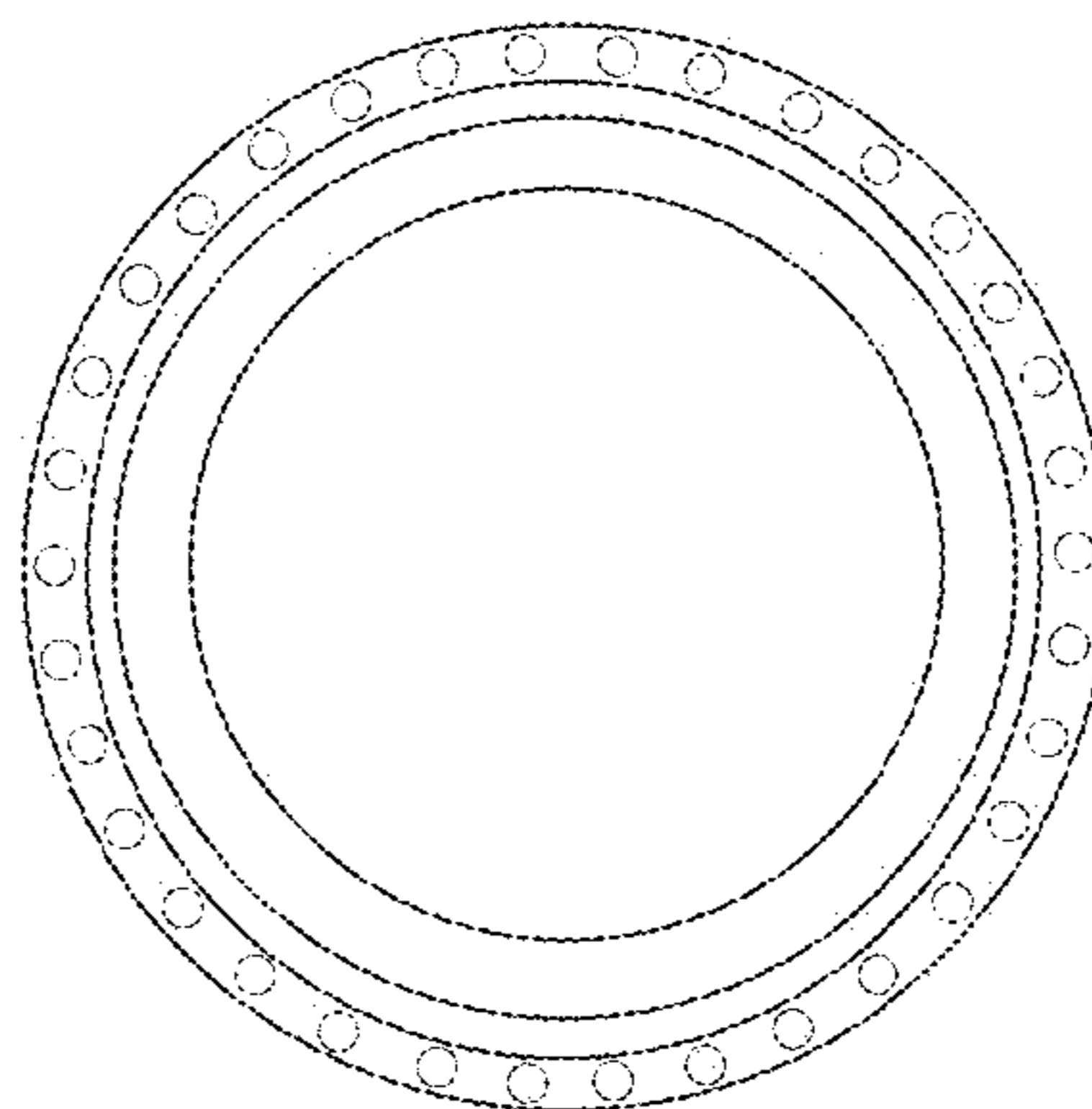


FIG. 7