



US00D691082S

(12) **United States Design Patent**
Workman

(10) **Patent No.:** **US D691,082 S**
(45) **Date of Patent:** **** Oct. 8, 2013**

- (54) **ANCHOR**
- (75) Inventor: **Mickey Gene Workman**, Franklin, GA (US)
- (73) Assignee: **Superior International Industries, Inc.**, Carrollton, GA (US)
- (**) Term: **14 Years**
- (21) Appl. No.: **29/421,619**
- (22) Filed: **Aug. 22, 2012**
- (51) **LOC (9) Cl.** **12-06**
- (52) **U.S. Cl.**
USPC **D12/215; D12/317**
- (58) **Field of Classification Search**
USPC D12/215, 300, 317; 52/155, 163; 114/294, 295, 296, 297, 293, 298, 299, 300, 114/301-311, 210; 440/101; 405/224, 224.1
See application file for complete search history.

D303,369	S *	9/1989	Abernethy	D12/215
5,016,556	A *	5/1991	Abernethy	114/311
5,163,778	A *	11/1992	Botero	440/101
D333,291	S *	2/1993	Burson et al.	D12/215
5,215,030	A *	6/1993	Conti	114/298
5,927,904	A *	7/1999	Treu et al.	405/224
6,606,829	B2 *	8/2003	Benincasa et al.	52/155
6,941,885	B2 *	9/2005	Zimmerman et al.	114/294
7,121,222	B1 *	10/2006	Johnston	114/293
7,736,094	B1 *	6/2010	Bianchi et al.	405/224.1
7,878,137	B2 *	2/2011	De Medeiros J nior	et al. 114/295
2006/0065180	A1 *	3/2006	Raines	114/295

* cited by examiner

Primary Examiner — Caron D Veynar

Assistant Examiner — Martie K Holtje

(74) *Attorney, Agent, or Firm* — Kilpatrick Townsend & Stockton LLP

(57) **CLAIM**

The ornamental design for an anchor, as shown and described.

(56) **References Cited**

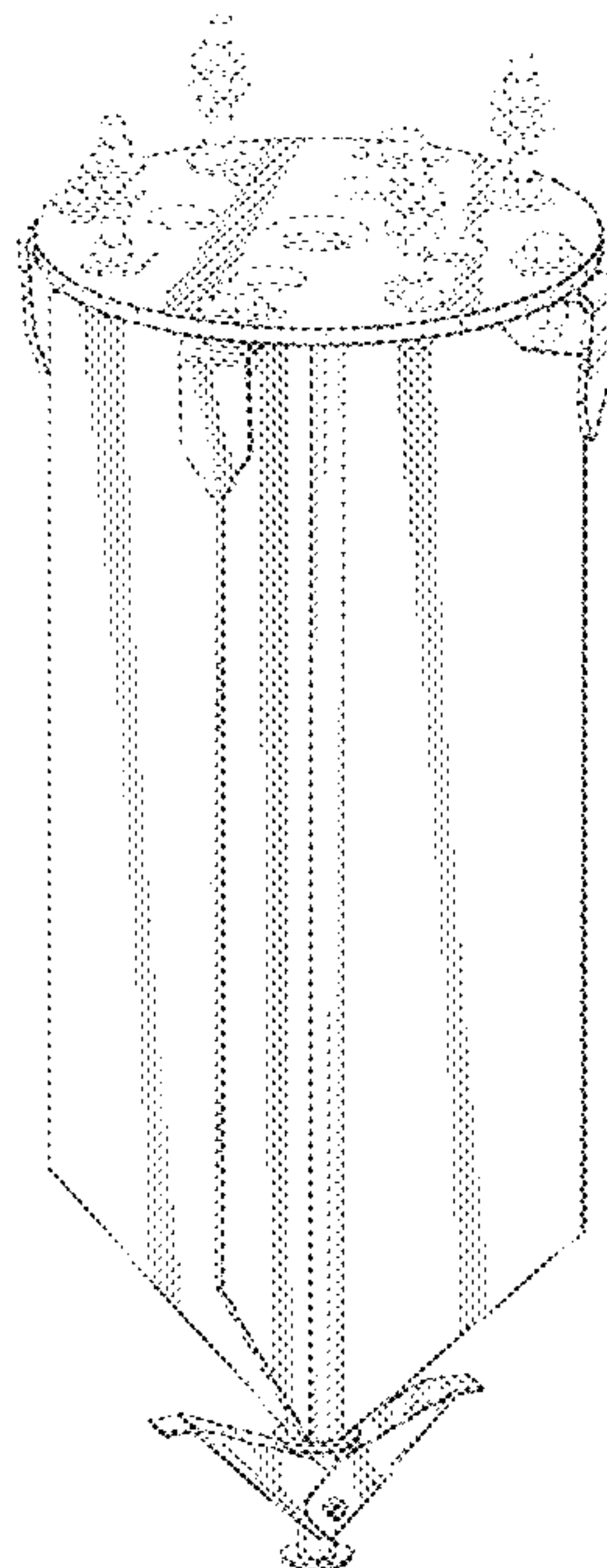
U.S. PATENT DOCUMENTS

1,560,451	A *	11/1925	Weyrick	52/163
D118,869	S *	2/1940	Tower	D12/215
2,476,348	A *	7/1949	Alvik et al.	114/298
2,703,544	A *	3/1955	Ewing et al.	114/305
2,993,461	A *	7/1961	Feiler	114/295
3,064,614	A *	11/1962	Roberts, Jr. et al.	114/300
3,187,705	A *	6/1965	Costello et al.	114/294
3,520,268	A *	7/1970	Bower	114/295
3,611,974	A *	10/1971	Joppa et al.	114/294
3,910,218	A *	10/1975	Taylor et al.	114/295
3,946,695	A *	3/1976	Isaak	114/293
4,005,671	A *	2/1977	Ogle	114/298
4,296,706	A *	10/1981	Hughes	114/294
4,682,559	A *	7/1987	Schnitzer et al.	114/295

DESCRIPTION

FIG. 1 is a perspective view of an anchor.
 FIG. 2 is a side view of the anchor of FIG. 1.
 FIG. 3 is a second side view of the anchor of FIG. 1.
 FIG. 4 is a top view of the anchor of FIG. 1; and,
 FIG. 5 is a bottom view of the anchor of FIG. 1.
 The broken lines depicting structural elements in the drawing have been provided to illustrate portions of the anchor that form no part of the claimed design.
 The broken line depiction of openings on the top of the anchor represents boundaries, the areas within which form no part of the claimed design.

1 Claim, 4 Drawing Sheets



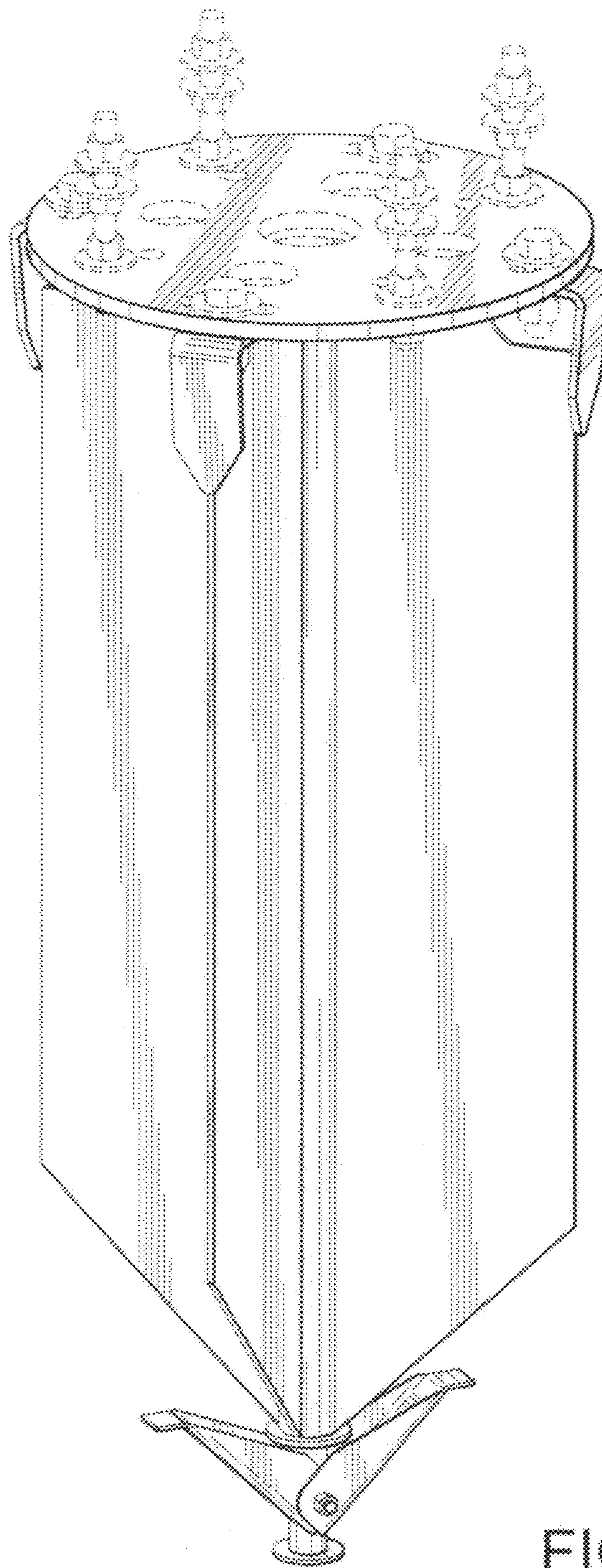


FIG. 1

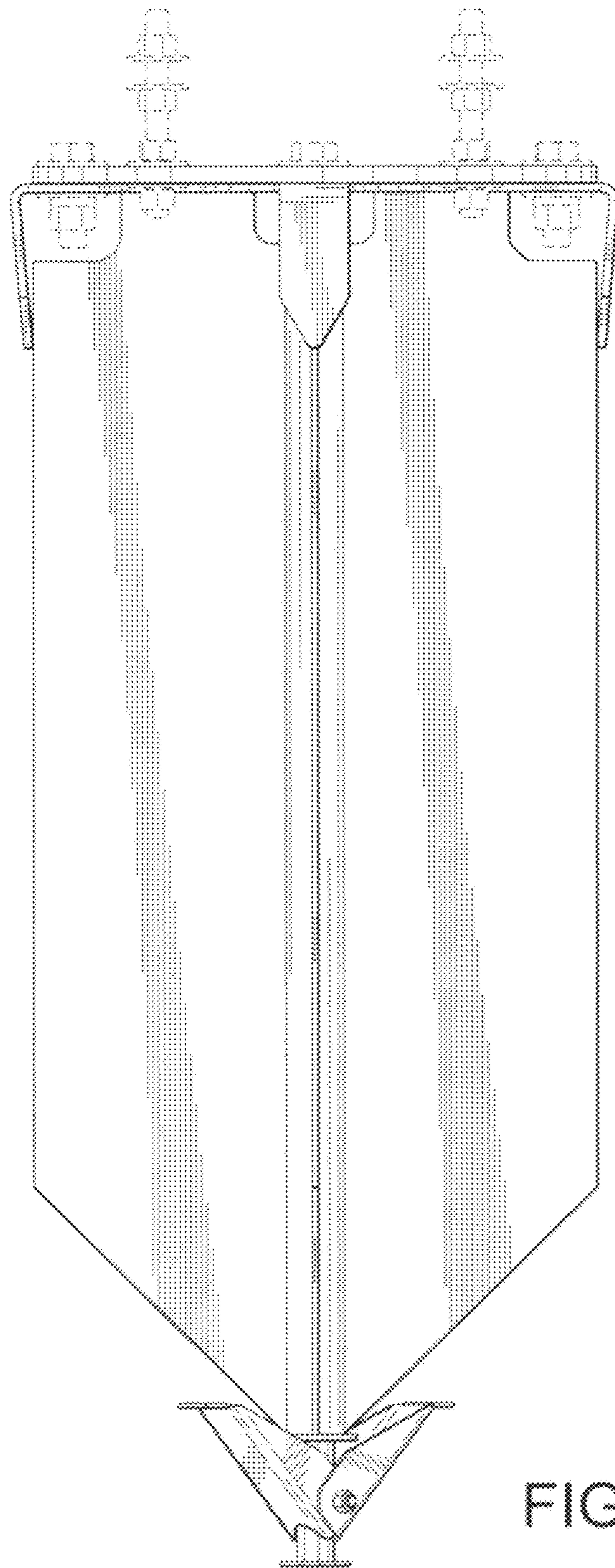


FIG. 2

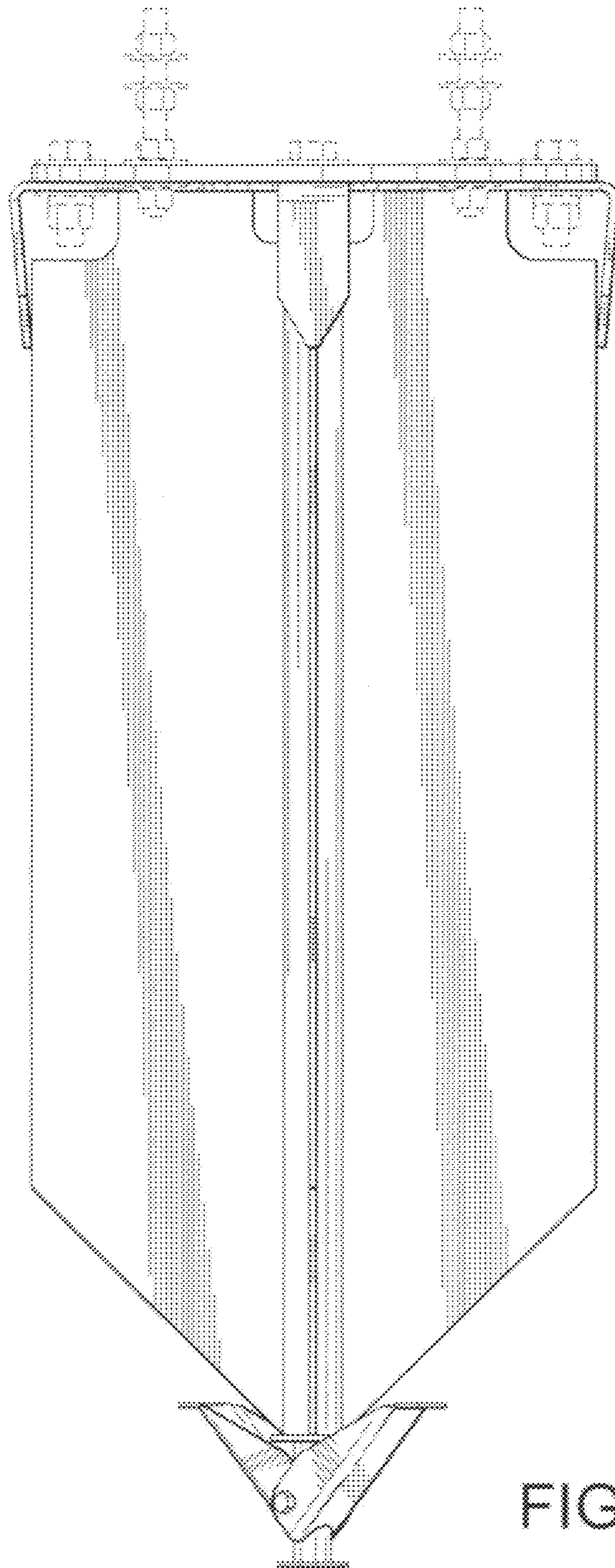


FIG. 3

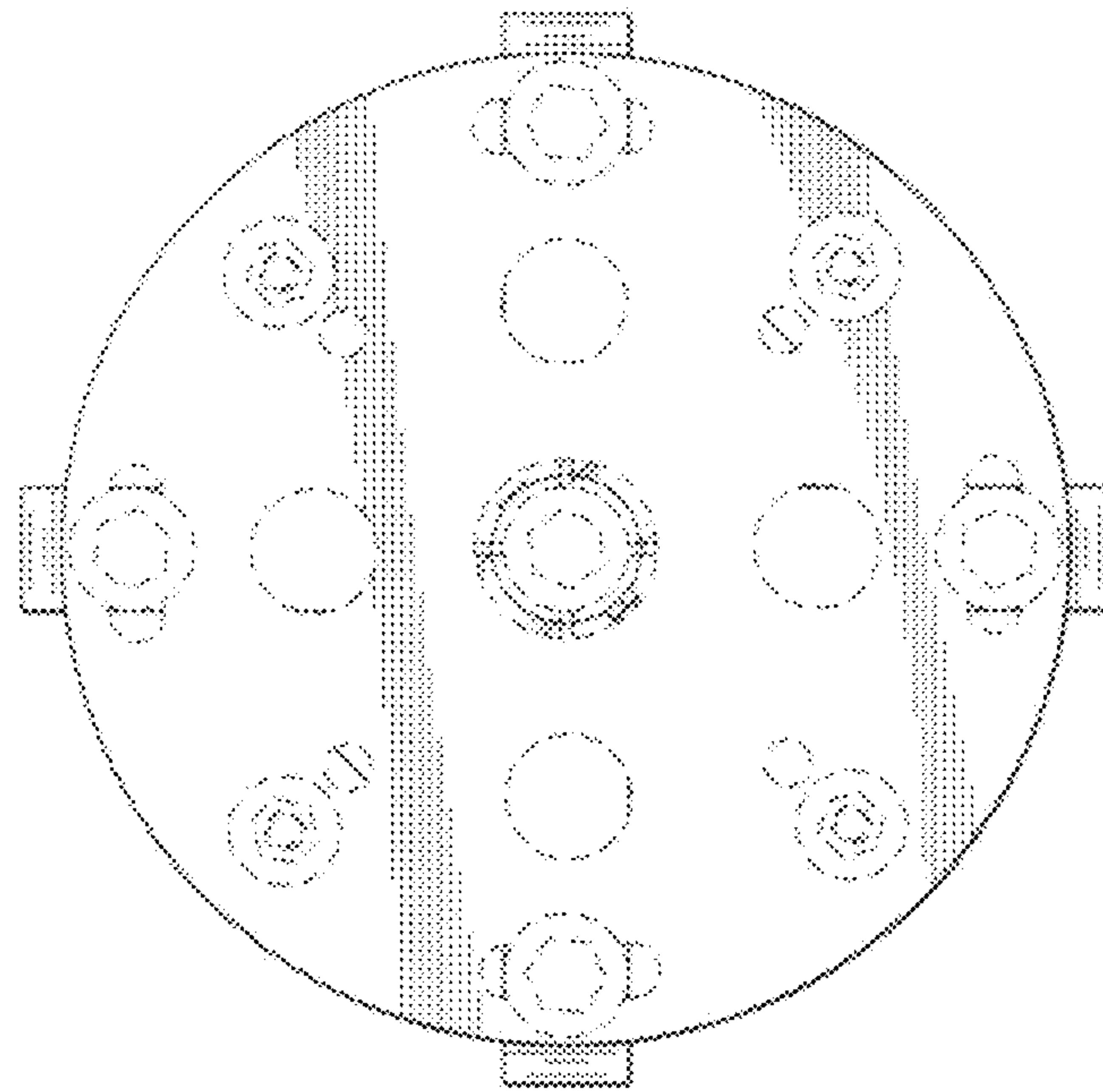


FIG. 4

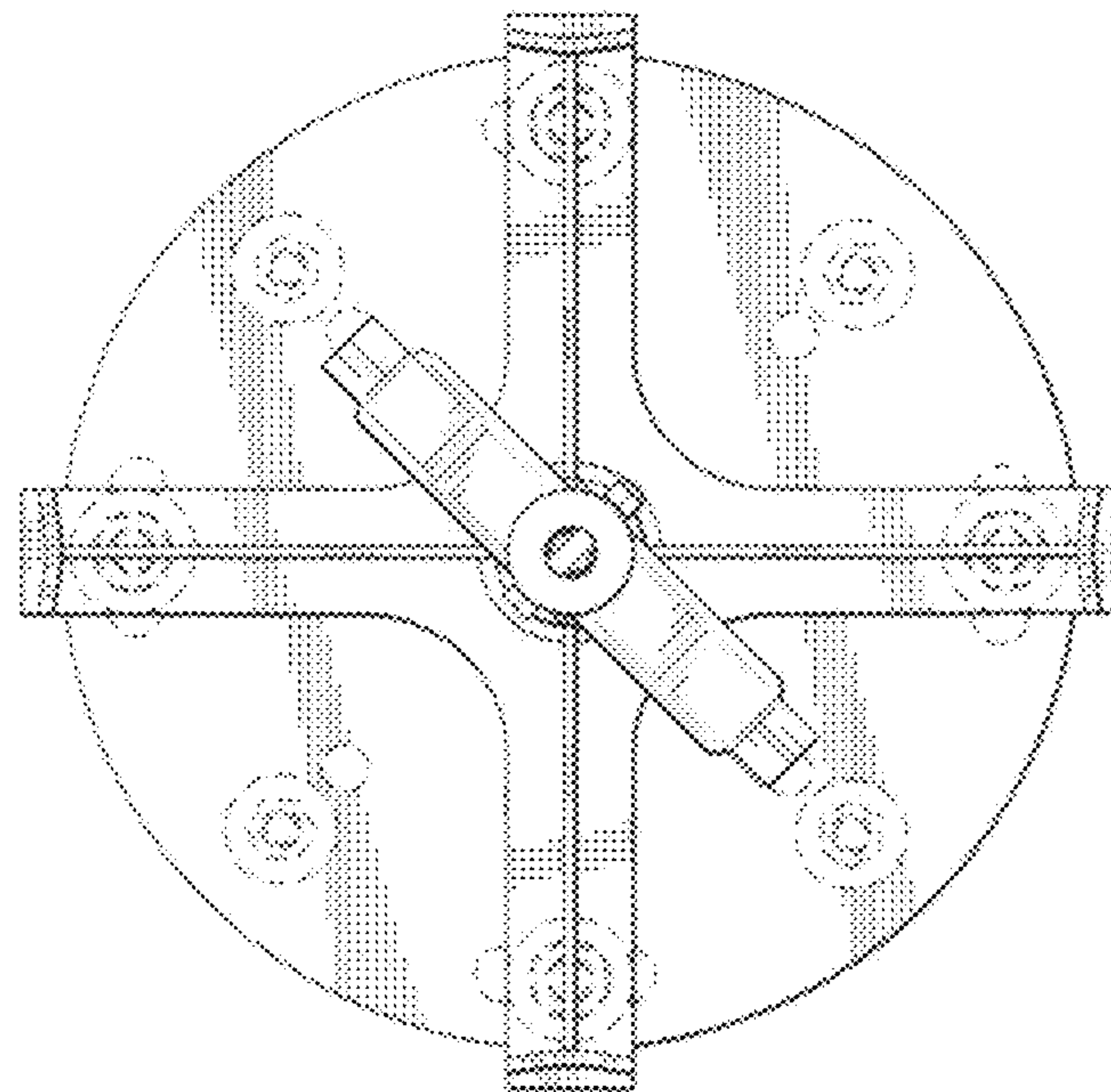


FIG. 5