

US00D691077S

(12) **United States Design Patent**  
**Davis**

(10) **Patent No.:** **US D691,077 S**  
(45) **Date of Patent:** **\*\* Oct. 8, 2013**

- (54) **VEHICLE MIRROR**
- (71) Applicant: **GM Global Technology Operations LLC, Detroit, MI (US)**
- (72) Inventor: **Martin J. Davis, Royal Oak, MI (US)**
- (73) Assignee: **GM Global Technology Operations LLC, Detroit, MI (US)**
- (\*\*) Term: **14 Years**
- (21) Appl. No.: **29/440,227**
- (22) Filed: **Dec. 20, 2012**
- (51) **LOC (9) Cl.** ..... **12-16**
- (52) **U.S. Cl.**  
USPC ..... **D12/187**
- (58) **Field of Classification Search**  
USPC ..... D12/187, 188-189; D6/300, 309;  
359/838, 841, 842, 843, 844, 868, 871, 604,  
359/881, 514, 866; 248/479-483, 475.1  
See application file for complete search history.

D572,643 S *	7/2008	Imai et al.	.....	D12/187
D598,349 S *	8/2009	Kato et al.	.....	D12/187
D606,469 S *	12/2009	Varga	.....	D12/187
D621,313 S *	8/2010	Kimura et al.	.....	D12/187
D631,414 S *	1/2011	Hakamata	.....	D12/187
D653,595 S *	2/2012	Matsubara et al.	.....	D12/187
D666,542 S *	9/2012	Asano et al.	.....	D12/187
2006/0050423 A1 *	3/2006	Secanu et al.	.....	359/871
2009/0268321 A1 *	10/2009	Wilson	.....	359/868
2010/0195228 A1 *	8/2010	Sinelli et al.	.....	359/866

\* cited by examiner

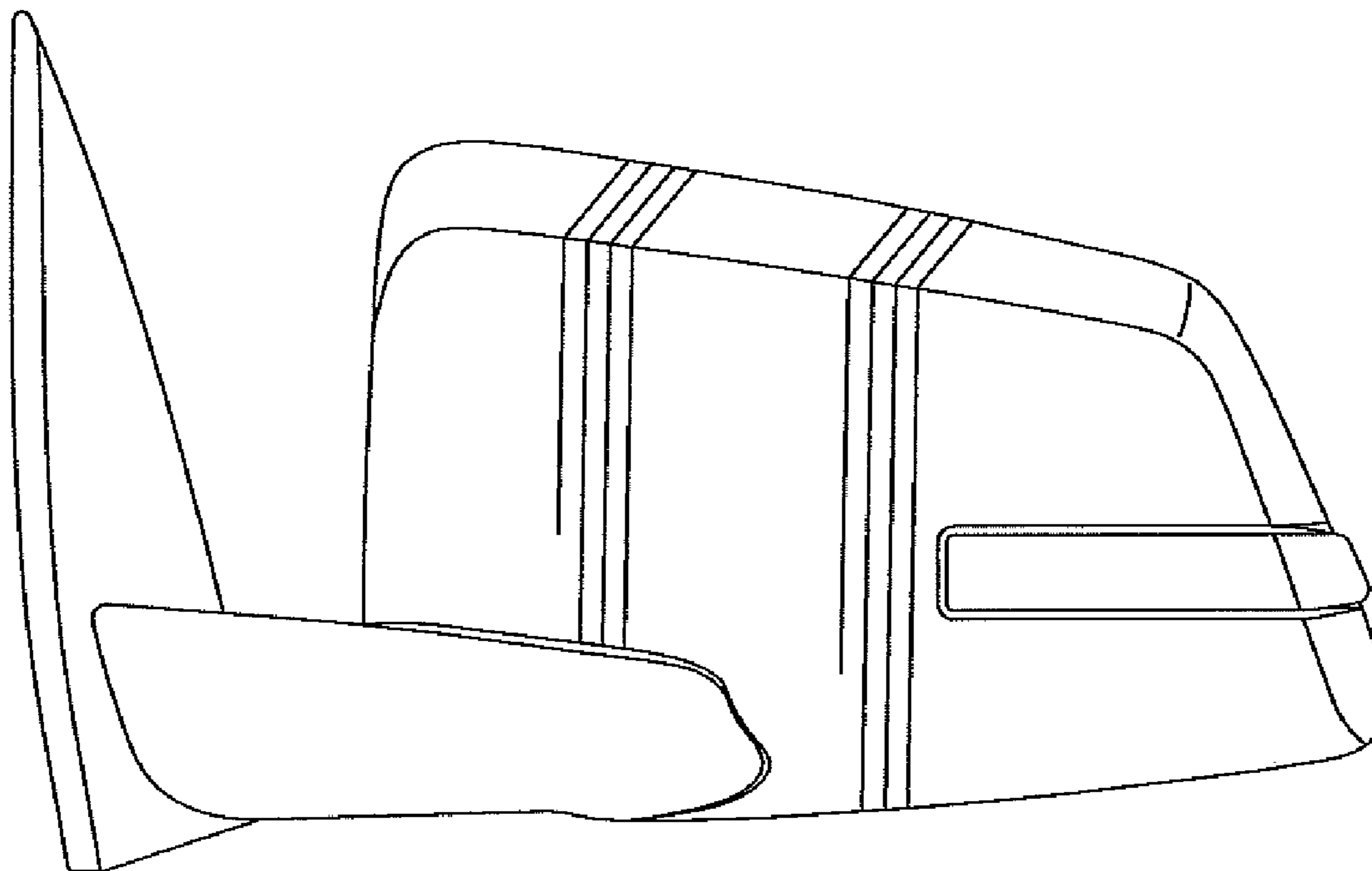
*Primary Examiner* — Katrina A Betton  
(74) *Attorney, Agent, or Firm* — Parks IP Law LLC

(57) **CLAIM**  
The ornamental design for a vehicle mirror, as shown and described.

**DESCRIPTION**  
FIG. 1 is front perspective view of a vehicle mirror showing the new design;  
FIG. 2 is a front view, thereof;  
FIG. 3 is a side view, thereof; and,  
FIG. 4 is a top plan view, thereof.

- (56) **References Cited**  
  
U.S. PATENT DOCUMENTS  
6,488,382 B1 \* 12/2002 Mertens ..... 359/871  
D552,019 S \* 10/2007 Kubota et al. .... D12/187

**1 Claim, 2 Drawing Sheets**



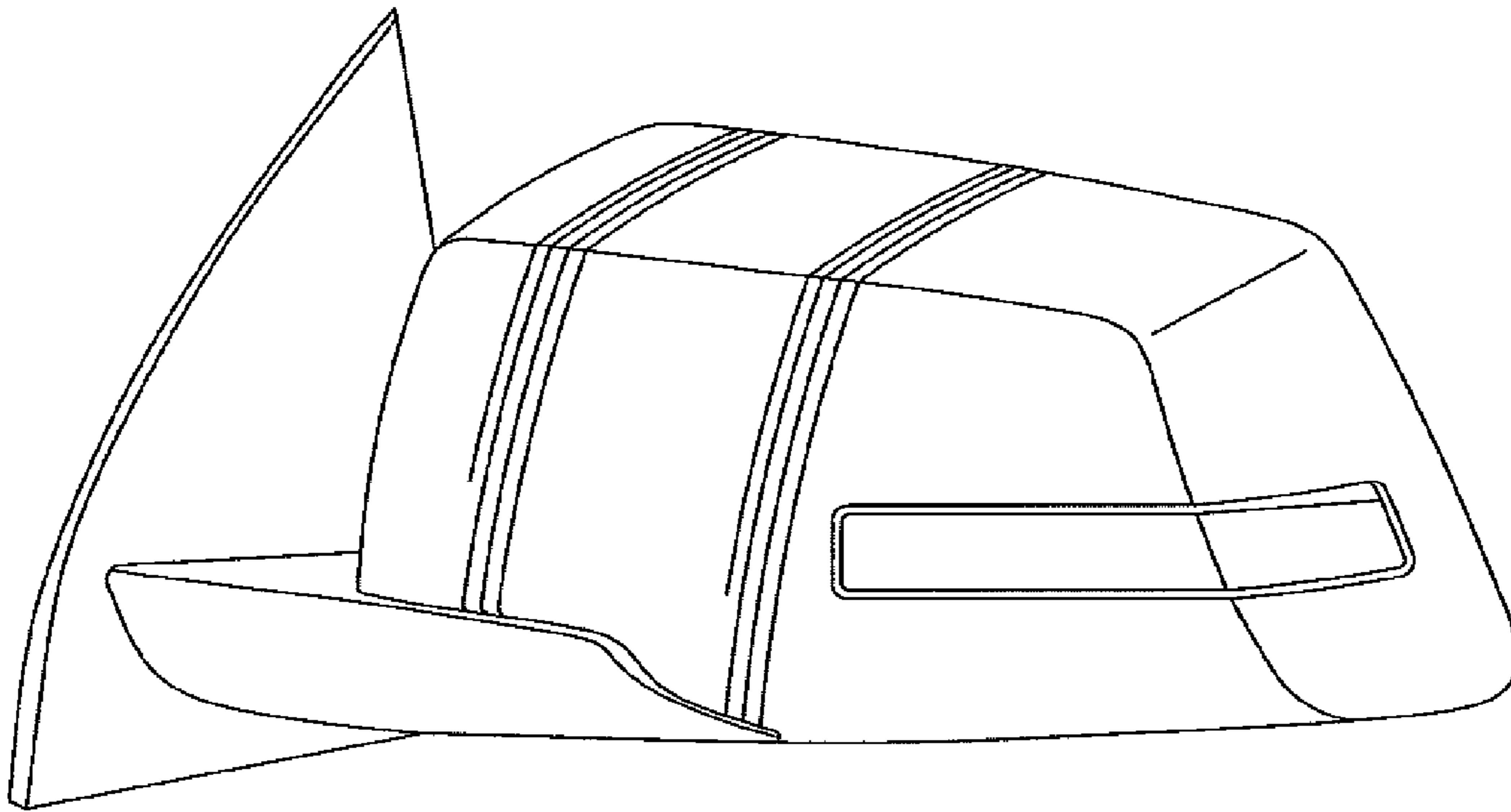


Fig-1

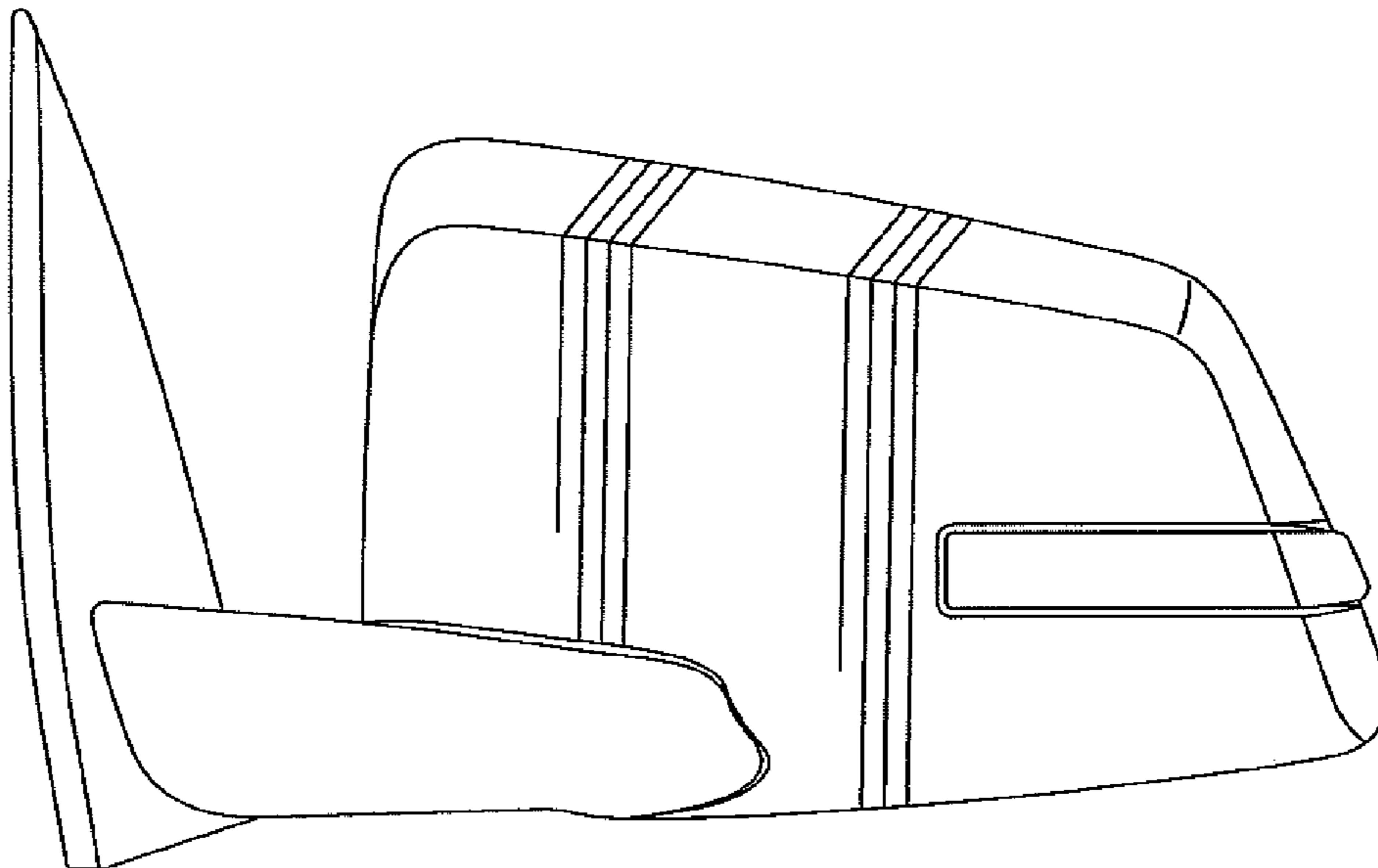


Fig-2

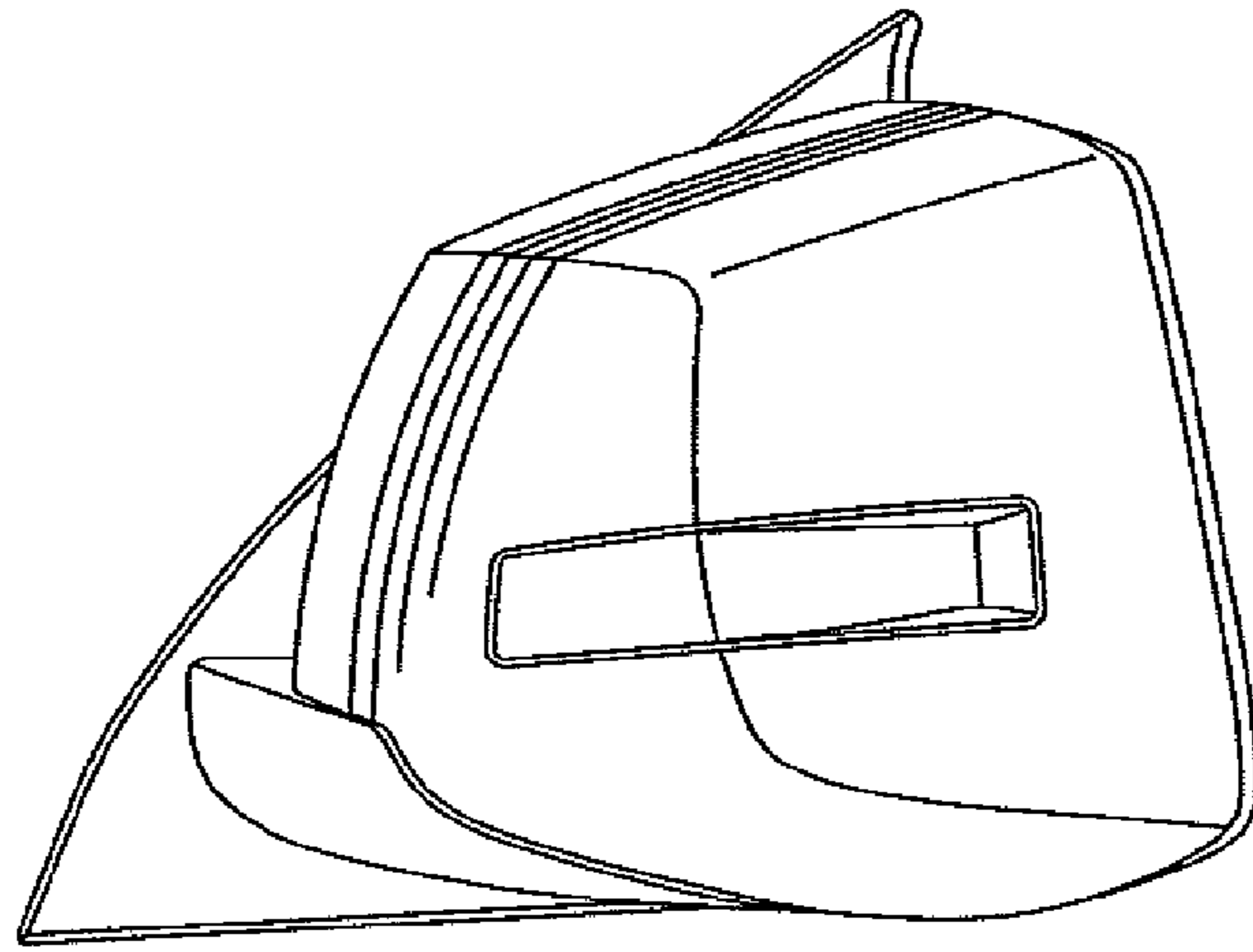


Fig-3

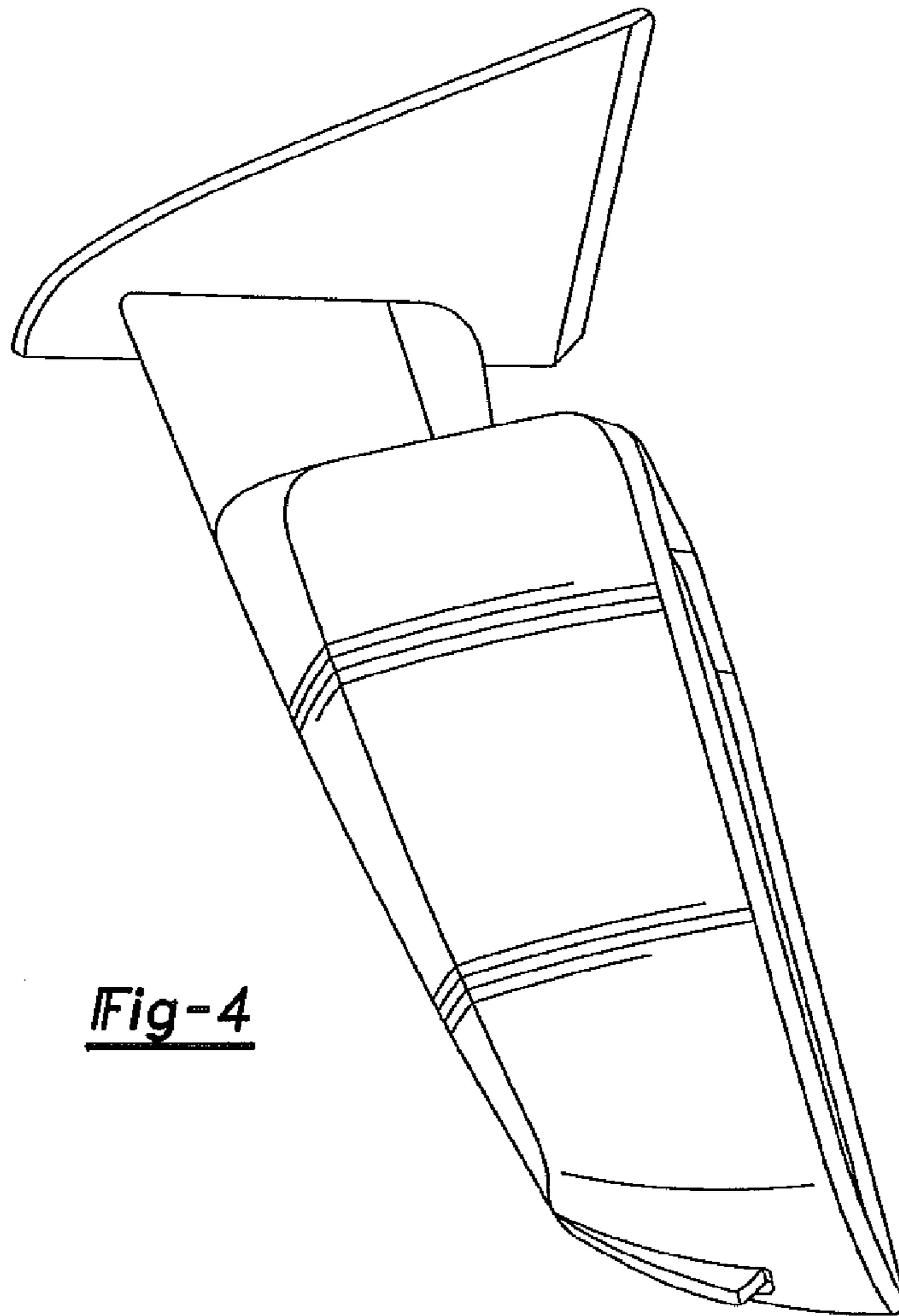


Fig-4