

US00D691076S

(12) **United States Design Patent**
Vincent

(10) **Patent No.:** **US D691,076 S**
(45) **Date of Patent:** **** Oct. 8, 2013**

(54) **VEHICLE MIRROR**

(71) Applicant: **GM Global Technology Operations LLC**, Detroit, MI (US)

(72) Inventor: **Anthony L. Vincent**, Rochester Hills, MI (US)

(73) Assignee: **GM Global Technology Operations LLC**, Detroit, MI (US)

(**) Term: **14 Years**

(21) Appl. No.: **29/439,952**

(22) Filed: **Dec. 18, 2012**

(51) **LOC (9) Cl.** **12-16**

(52) **U.S. Cl.**
USPC **D12/187**

(58) **Field of Classification Search**
USPC D12/187, 188-189; D6/300, 309;
359/838, 841, 842, 843, 844, 868, 871, 604,
359/881, 514, 866; 248/479-483, 475.1
See application file for complete search history.

(56) **References Cited**

U.S. PATENT DOCUMENTS

6,488,382 B1 * 12/2002 Mertens 359/871
D552,019 S * 10/2007 Kubota et al. D12/187
D572,643 S * 7/2008 Imai et al. D12/187

D598,349 S * 8/2009 Kato et al. D12/187
D606,469 S * 12/2009 Varga D12/187
D621,313 S * 8/2010 Kimura et al. D12/187
D631,414 S * 1/2011 Hakamata D12/187
D653,595 S * 2/2012 Matsubara et al. D12/187
D666,542 S * 9/2012 Asano et al. D12/187
2006/0050423 A1 * 3/2006 Secanu et al. 359/871
2009/0268321 A1 * 10/2009 Wilson 359/868
2010/0195228 A1 * 8/2010 Sinelli et al. 359/866

* cited by examiner

Primary Examiner — Katrina A Betton

(74) *Attorney, Agent, or Firm* — Parks IP Law LLC; Mickki D. Murray

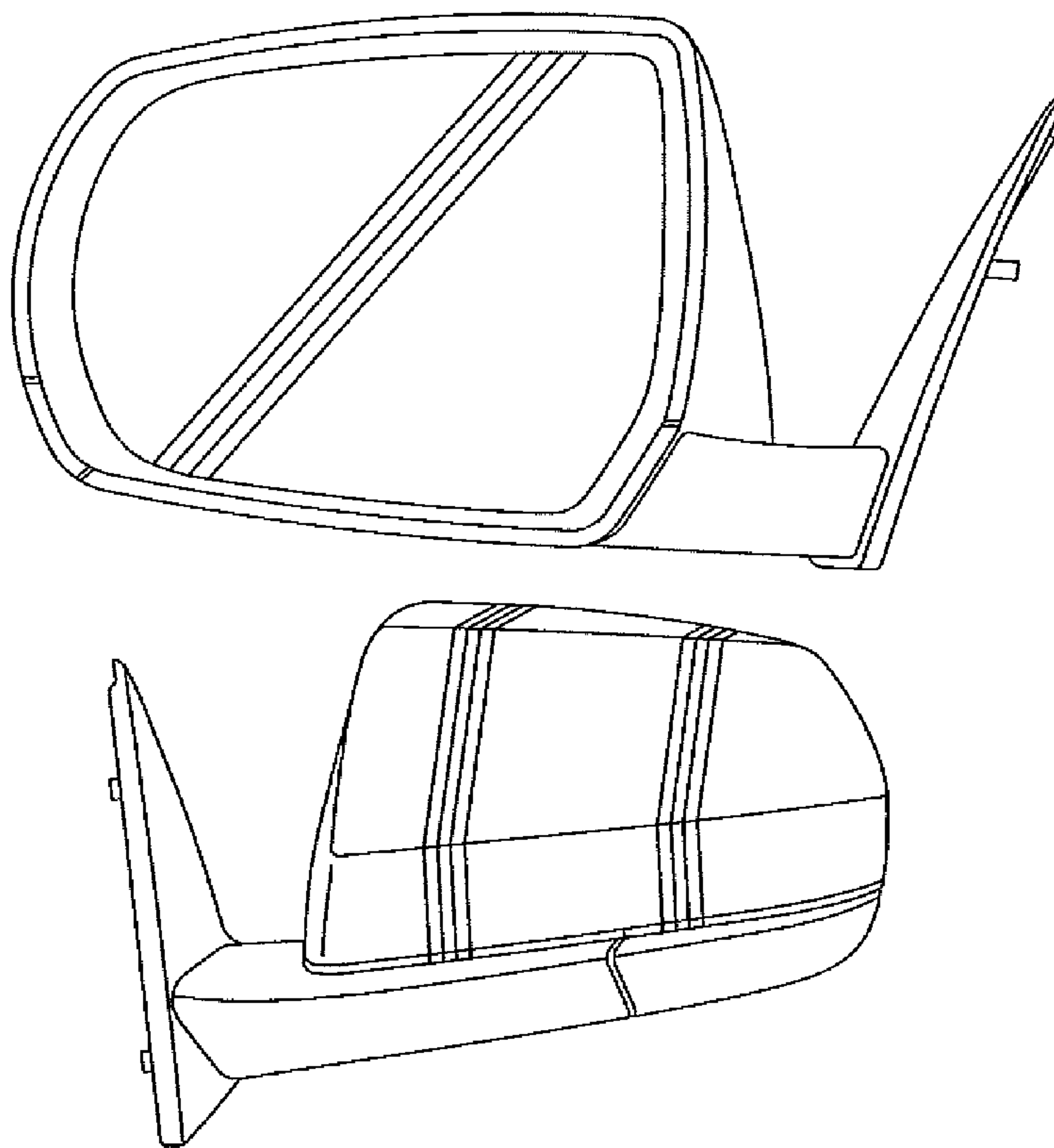
(57) **CLAIM**

The ornamental design for a vehicle mirror, as shown and described.

DESCRIPTION

FIG. 1 is a front perspective view of a vehicle mirror showing the new design;
FIG. 2 is a rear view thereof;
FIG. 3 is a front view thereof;
FIG. 4 is a side view thereof; and,
FIG. 5 is a top view, thereof.

1 Claim, 2 Drawing Sheets



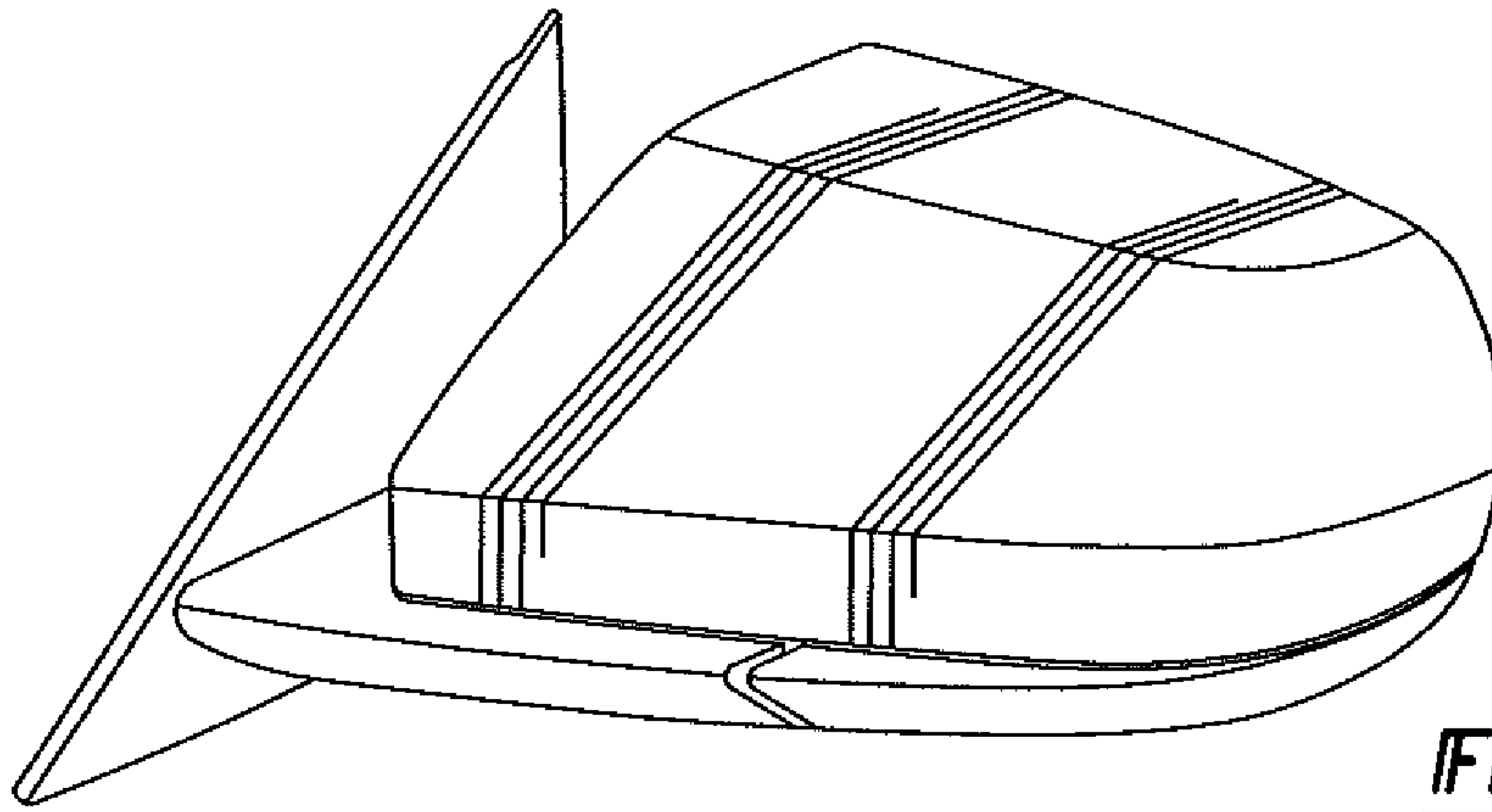


Fig-1

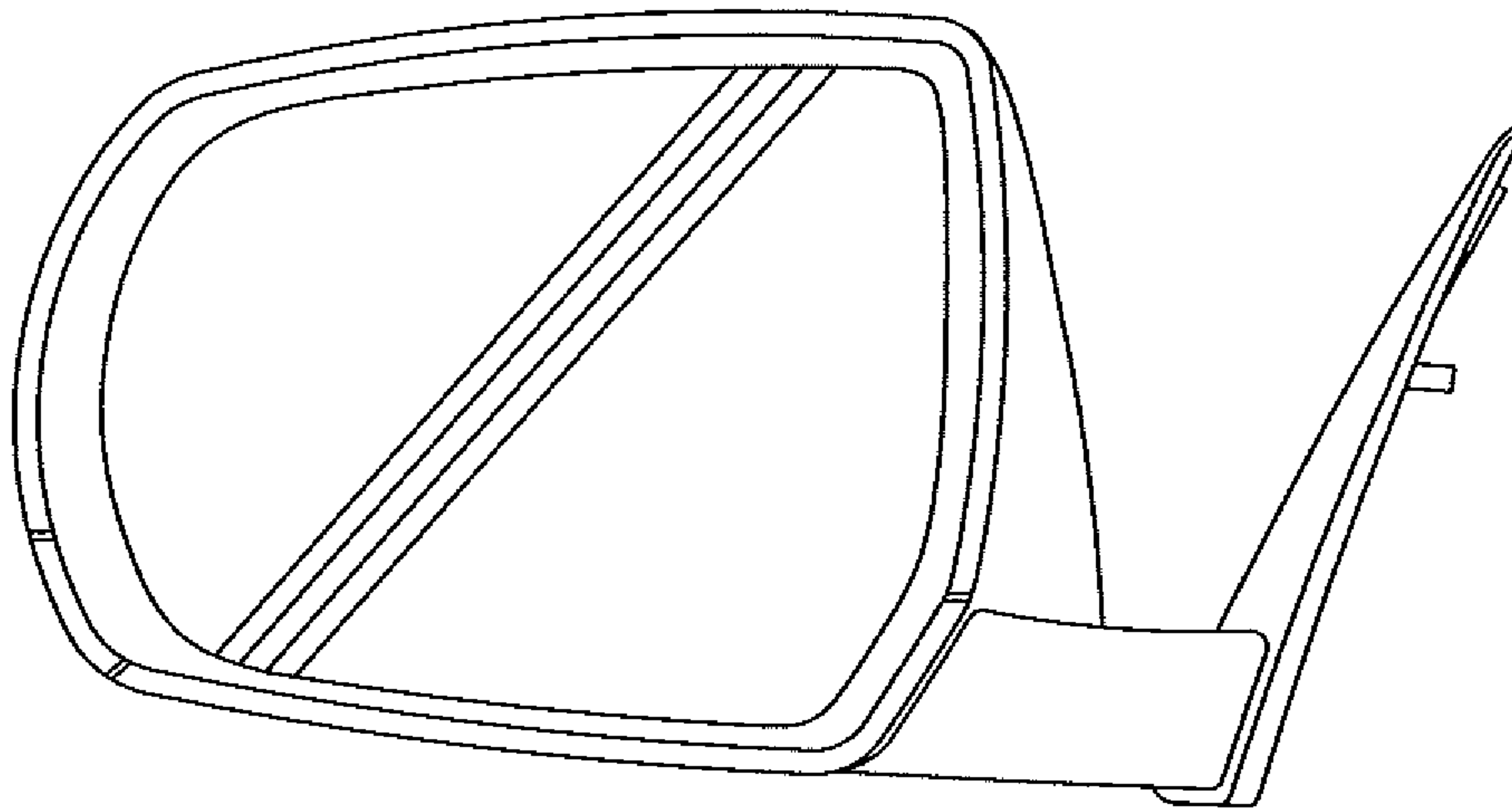


Fig-2

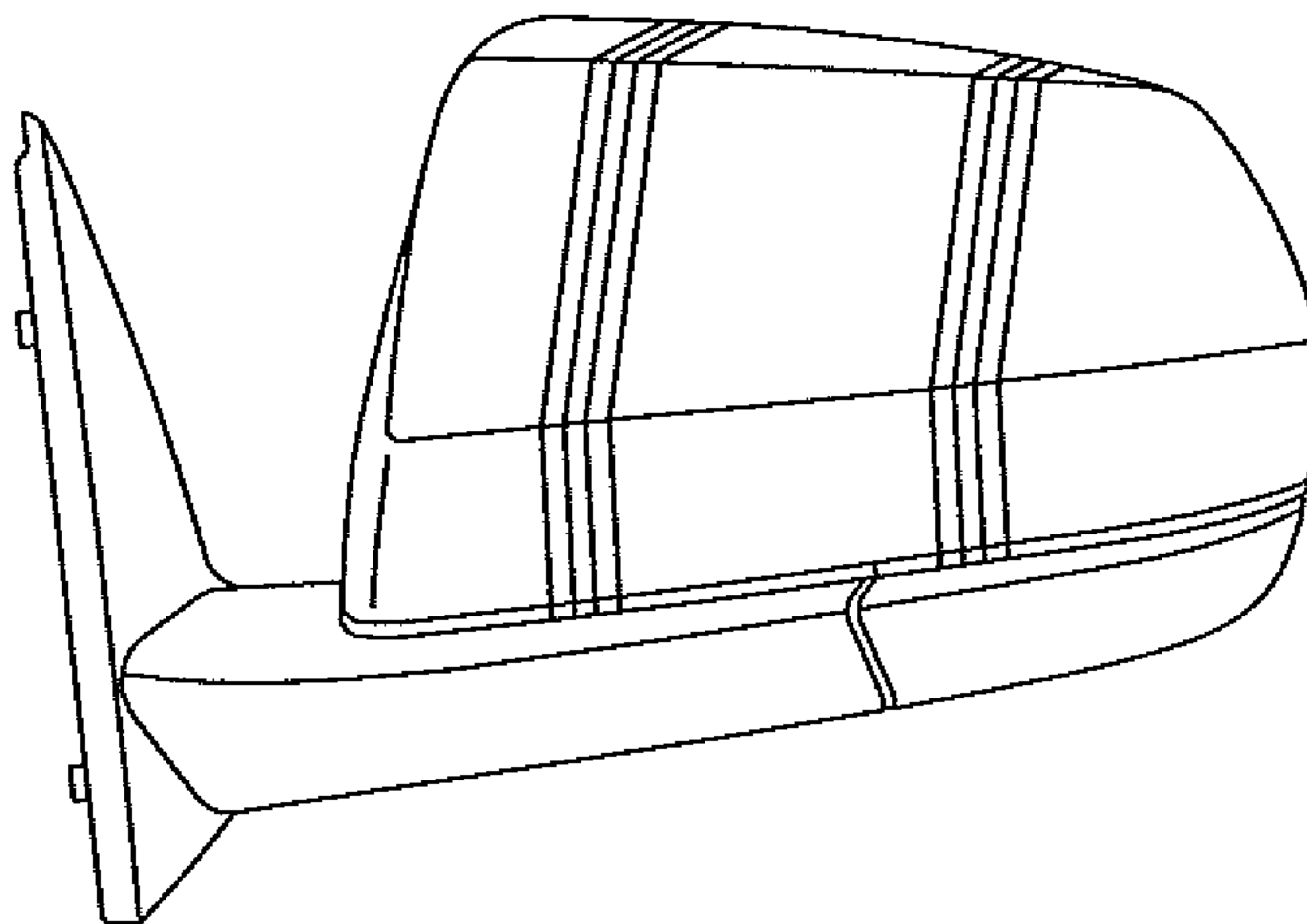


Fig-3

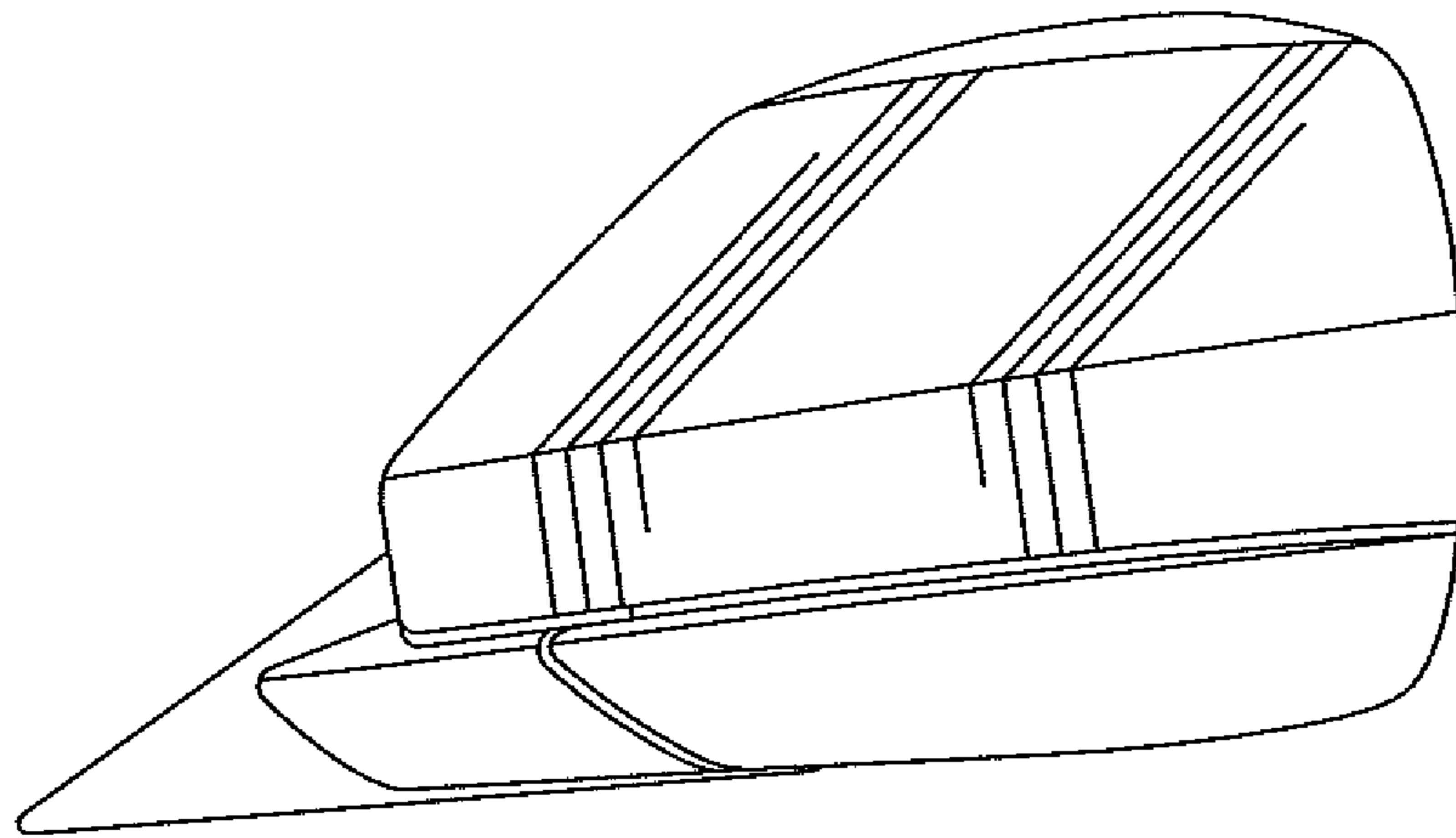


Fig-4

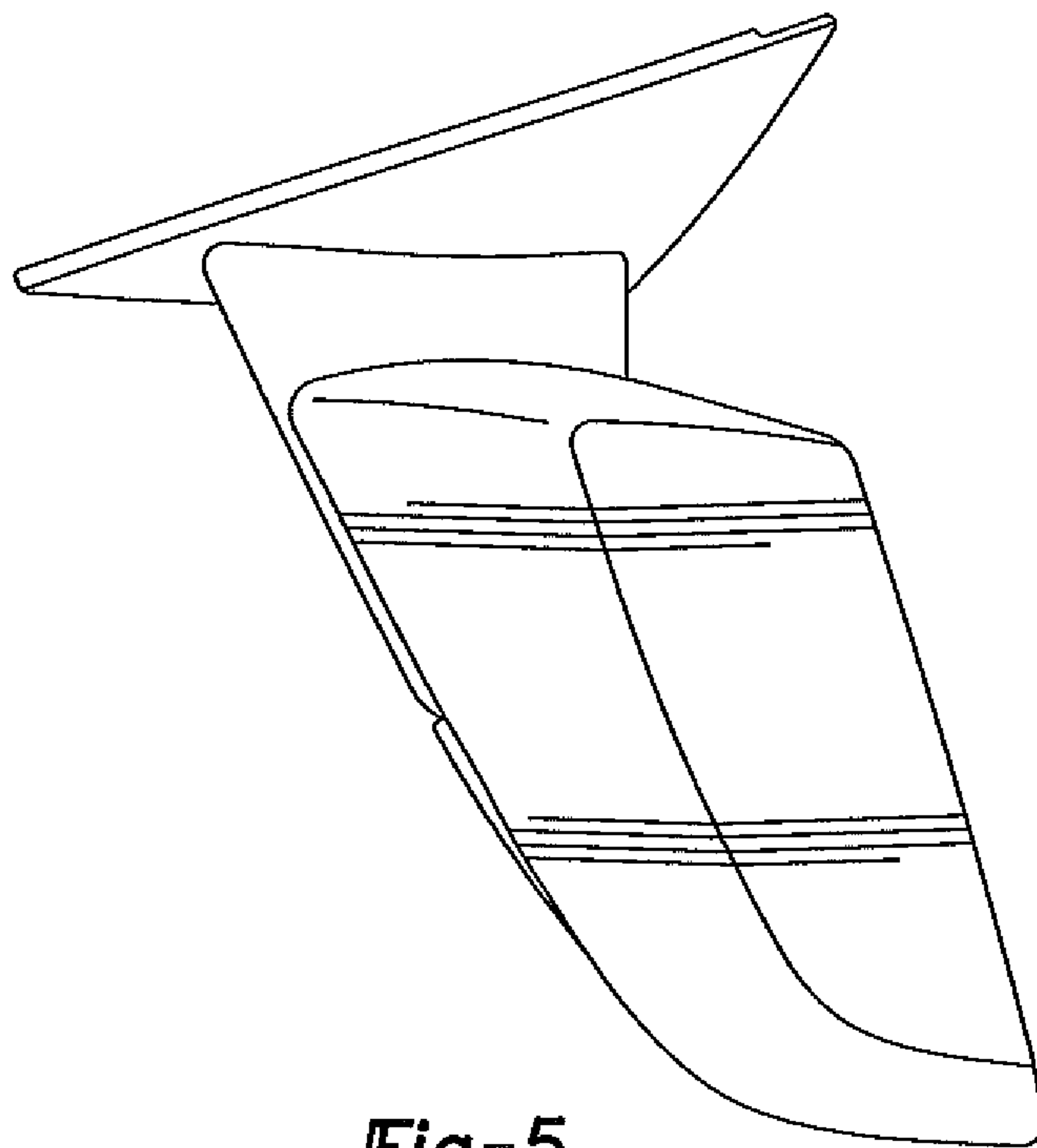


Fig-5