

US00D691074S

(12) **United States Design Patent**
Dugardin

(10) **Patent No.:** **US D691,074 S**
(45) **Date of Patent:** **** Oct. 8, 2013**

(54) **PROTECTION DEVICE FOR QUADRICYCLE**

(76) Inventor: **Pierre Dugardin**, Comines (FR)

(**) Term: **14 Years**

(21) Appl. No.: **29/419,543**

(22) Filed: **Apr. 30, 2012**

(51) **LOC (9) Cl.** **12-16**

(52) **U.S. Cl.**
USPC **D12/171**

(58) **Field of Classification Search**
USPC D12/107, 167, 169-172, 3, 86, 87,
D12/114; 280/770; 180/223, 225, 233, 229,
180/311, 312, 315; 293/102, 112, 115, 142,
293/149; 296/187.03, 193.1
See application file for complete search history.

(56) **References Cited**

U.S. PATENT DOCUMENTS

4,469,360	A *	9/1984	Drury	293/102
5,277,465	A *	1/1994	Weir	293/142
D361,316	S *	8/1995	Orth et al.	D12/171
D383,719	S *	9/1997	Thorne et al.	D12/171
D384,625	S *	10/1997	Thorne et al.	D12/171

D388,042	S *	12/1997	Thorne et al.	D12/171
D396,678	S *	8/1998	Shklyaver	D12/171
D410,879	S *	6/1999	Orth, Sr.	D12/171
6,022,057	A *	2/2000	Vermeulen	293/132
D425,462	S *	5/2000	Ujii	D12/171
D440,532	S *	4/2001	Sacco et al.	D12/196

* cited by examiner

Primary Examiner — Susan M Lee

Assistant Examiner — Linda Brooks

(74) *Attorney, Agent, or Firm* — Schiff Hardin LLP

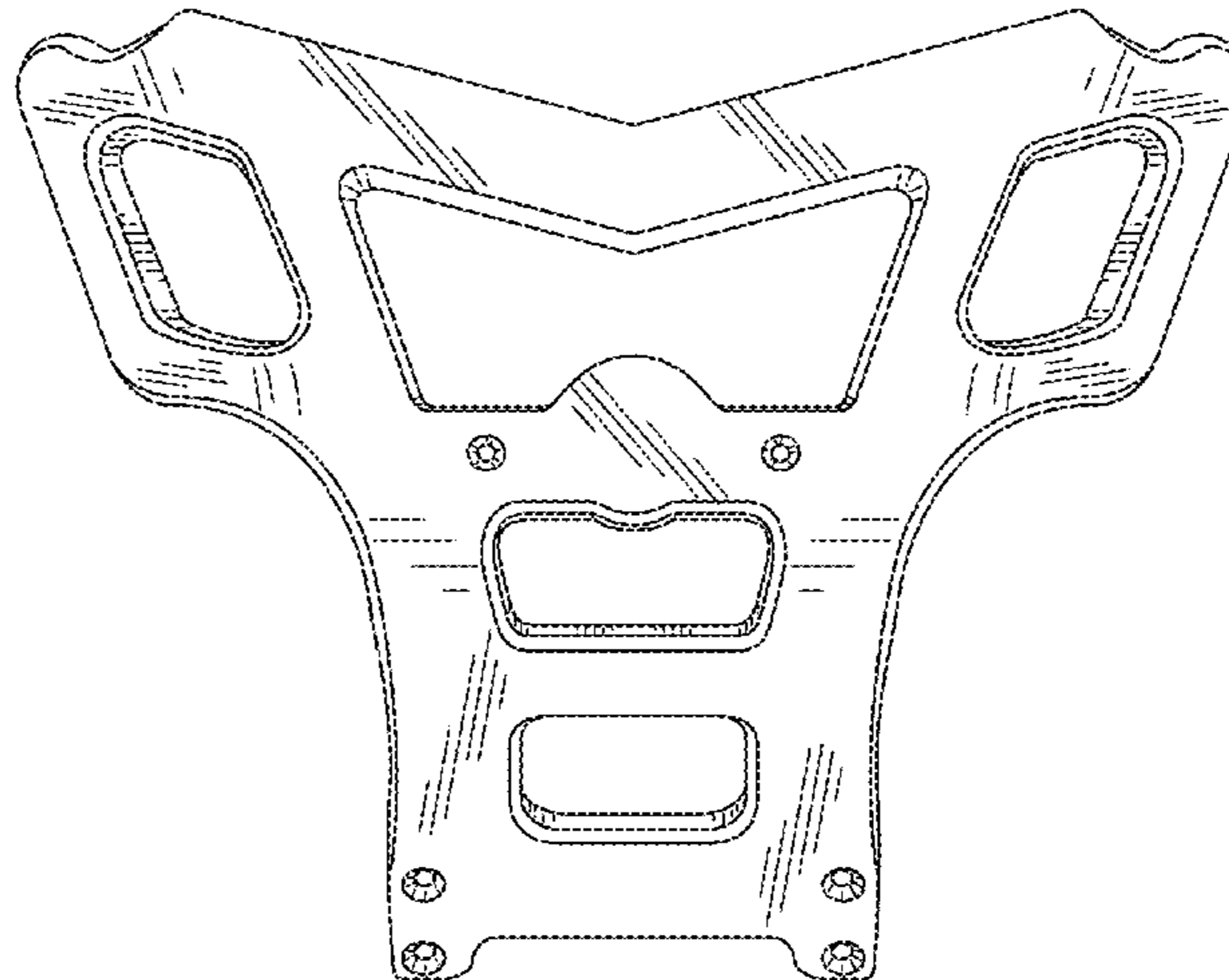
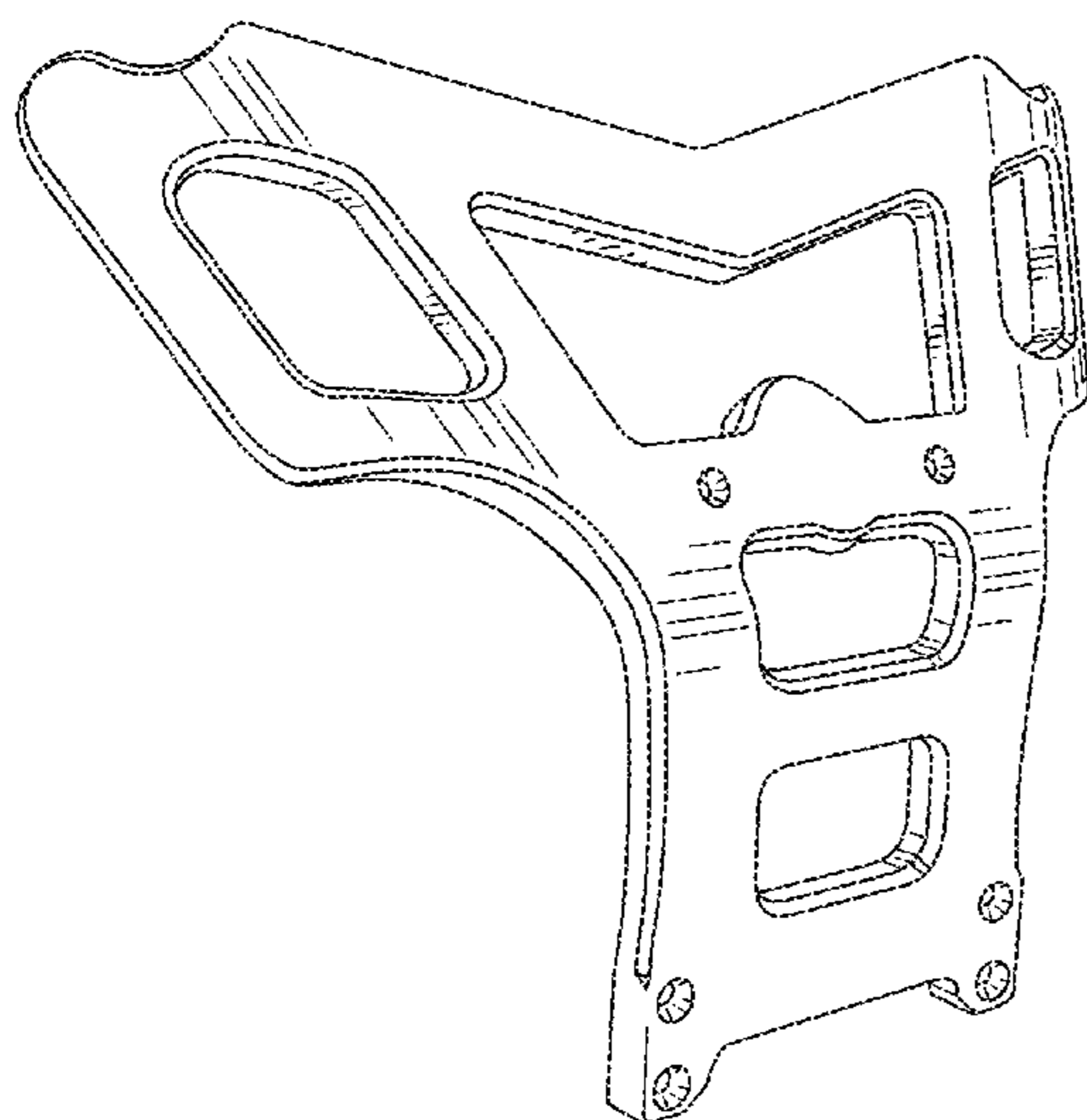
(57) **CLAIM**

The ornamental design for a protection device for quadricycle, as shown and described.

DESCRIPTION

FIG. 1 is a perspective view of the protection device for quadricycle in accordance with the invention;
FIG. 2 is a front view of the protection device for quadricycle in accordance with the invention;
FIG. 3 is a side view of the protection device for quadricycle in accordance with the invention; and,
FIG. 4 is a top view of the protection device for quadricycle in accordance with the invention.

1 Claim, 2 Drawing Sheets



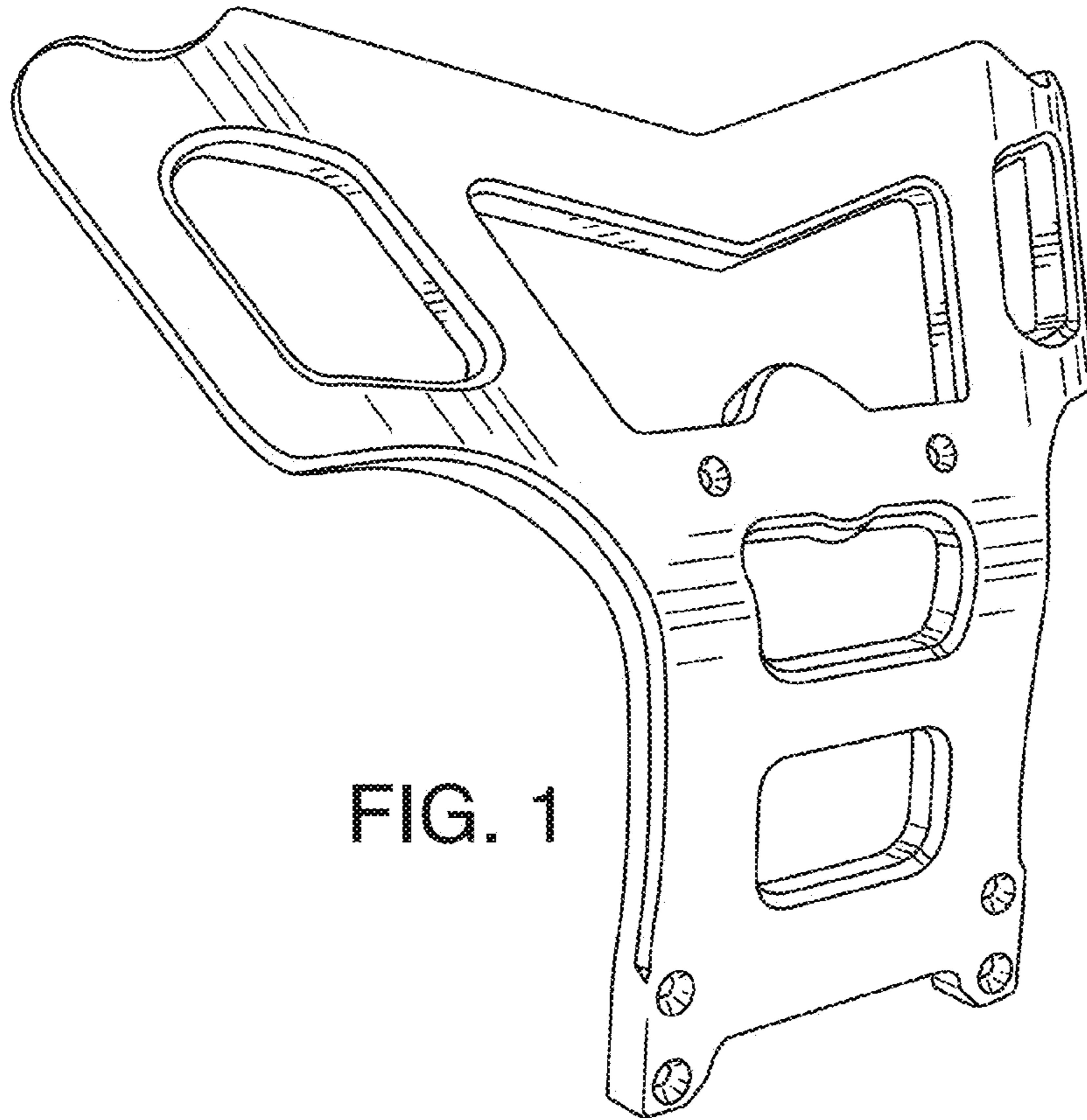


FIG. 1

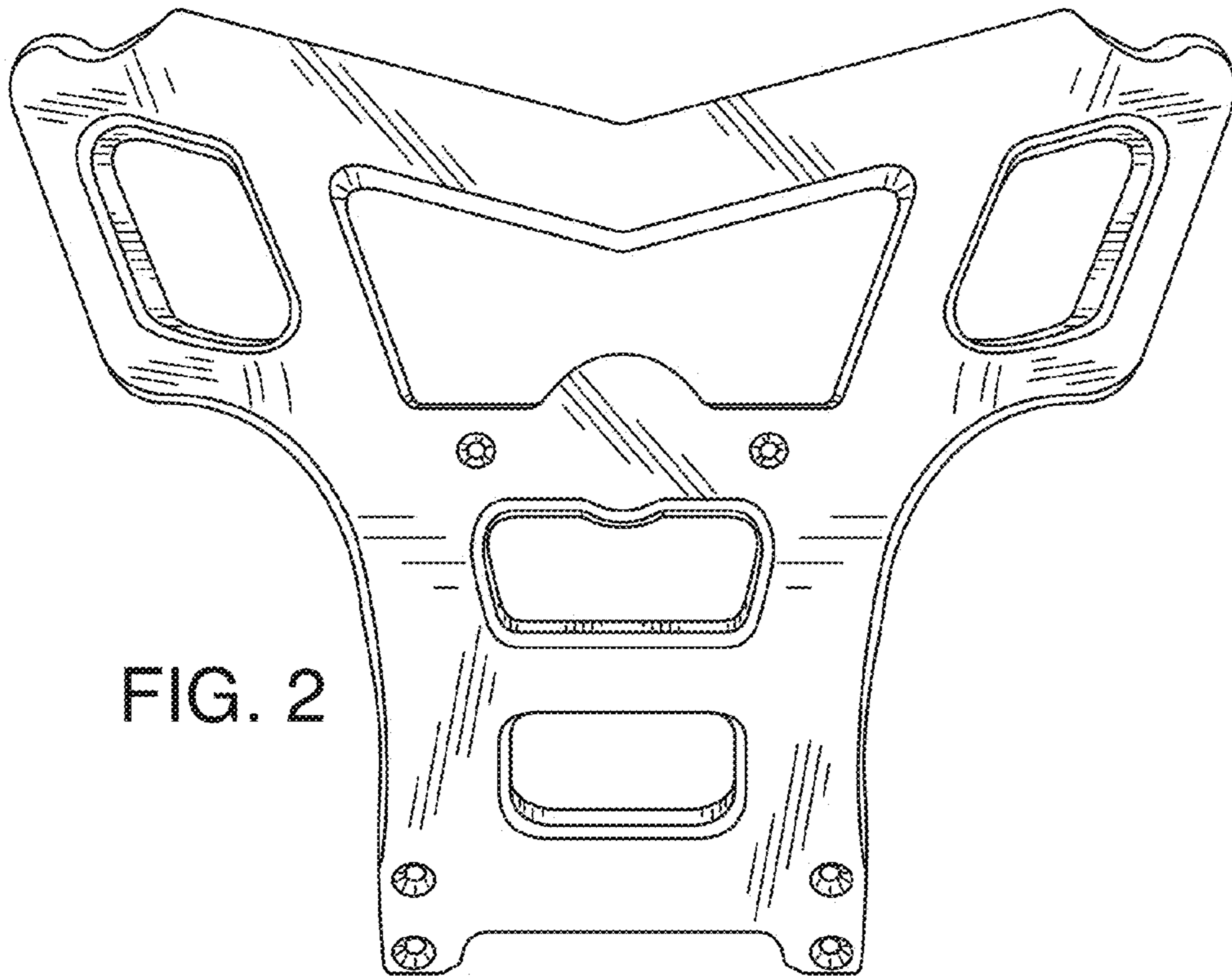


FIG. 2



FIG. 3

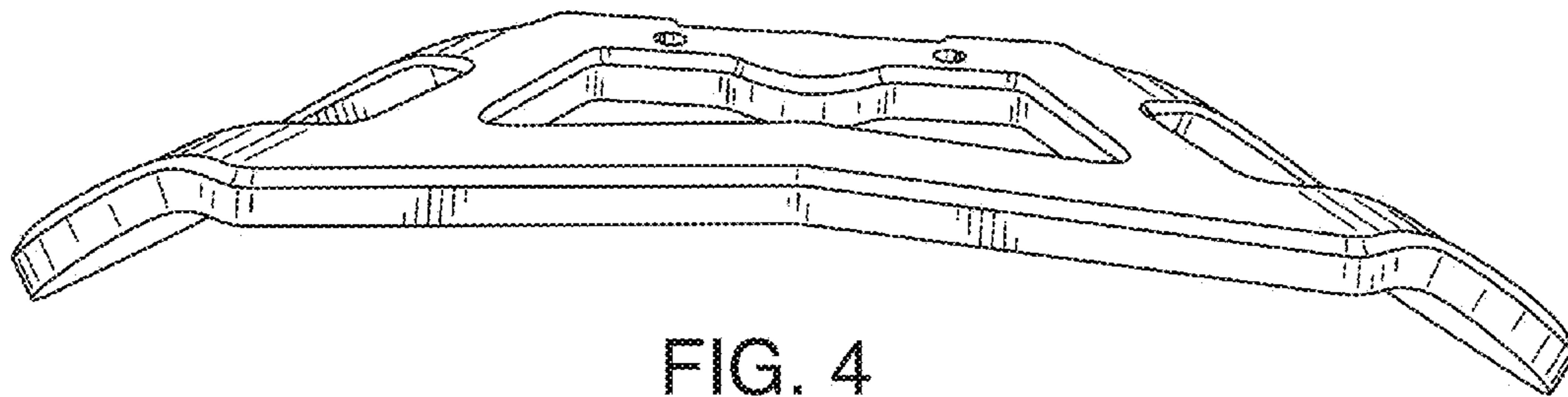


FIG. 4