



US00D691072S

(12) **United States Design Patent**
Cheng

(10) **Patent No.:** **US D691,072 S**
(45) **Date of Patent:** **** Oct. 8, 2013**

(54) **RADIATOR GRILLE**

(71) Applicant: **Wenliang Cheng**, Pa-Te (TW)

(72) Inventor: **Wenliang Cheng**, Pa-Te (TW)

(**) Term: **14 Years**

(21) Appl. No.: **29/438,497**

(22) Filed: **Nov. 30, 2012**

(51) **LOC (9) Cl.** **12-16**

(52) **U.S. Cl.**
USPC **D12/163**

(58) **Field of Classification Search**

USPC D12/86, 90, 91, 92, 163, 169, 196,
D12/171, 216; 180/68.1, 68.6; 296/193.11
See application file for complete search history.

(56) **References Cited**

U.S. PATENT DOCUMENTS

2,070,919	A *	2/1937	Posey	160/237
D361,968	S *	9/1995	Oyama	D12/163
D455,381	S *	4/2002	Maher et al.	D12/163
D460,023	S *	7/2002	Beigel	D12/96
D466,450	S *	12/2002	Maher et al.	D12/96
D522,936	S *	6/2006	Beigel et al.	D12/163
7,152,915	B2 *	12/2006	Diehl et al.	296/193.1
D592,561	S *	5/2009	Otto et al.	D12/163
D627,692	S *	11/2010	Cheng	D12/163
D631,800	S *	2/2011	Peltola et al.	D12/163
D637,530	S *	5/2011	Aris et al.	D12/163
D640,175	S *	6/2011	Villamizar et al.	D12/163
D645,797	S *	9/2011	Beigel et al.	D12/163

OTHER PUBLICATIONS

The Austin A30—1950s small car from BMC. Website [online].
<http://www.austina30.co.uk/>, Nov. 6, 2006 [retrieved on Jul. 31, 2013]. Retrieved from the Internet: <URL: <http://www.austina30.co.uk/>>.*

Mar. 2013 Power Bits—Diesel News Photo Gallery. Website [online]. <http://www.technologicvehicles.com>, Mar. 1, 2013 [retrieved on Jul. 31, 2013]. Retrieved from the Internet: <URL: http://www.dieselpowermag.com/news/1303dp_march_2013_power_bits_diesel_news/photo_09.html#photo_09.html?&_suid=1375297099912041201451876661765>.*

Classic Car Grille Decanters by Nicholas Brawer. Website [online]. <http://www.cigarclubnews.com>, Dec. 14, 2010 [retrieved on Jul. 31, 2013]. Retrieved from the Internet: <URL: <http://www.cigarclubnews.com/lifestyle/classic-car-grille-decanters-by-nicholas-brawer/>>.*

* cited by examiner

Primary Examiner — Philip S Hyder

Assistant Examiner — Darlington Ly

(74) *Attorney, Agent, or Firm* — Jackson IPG PLLC

(57) **CLAIM**

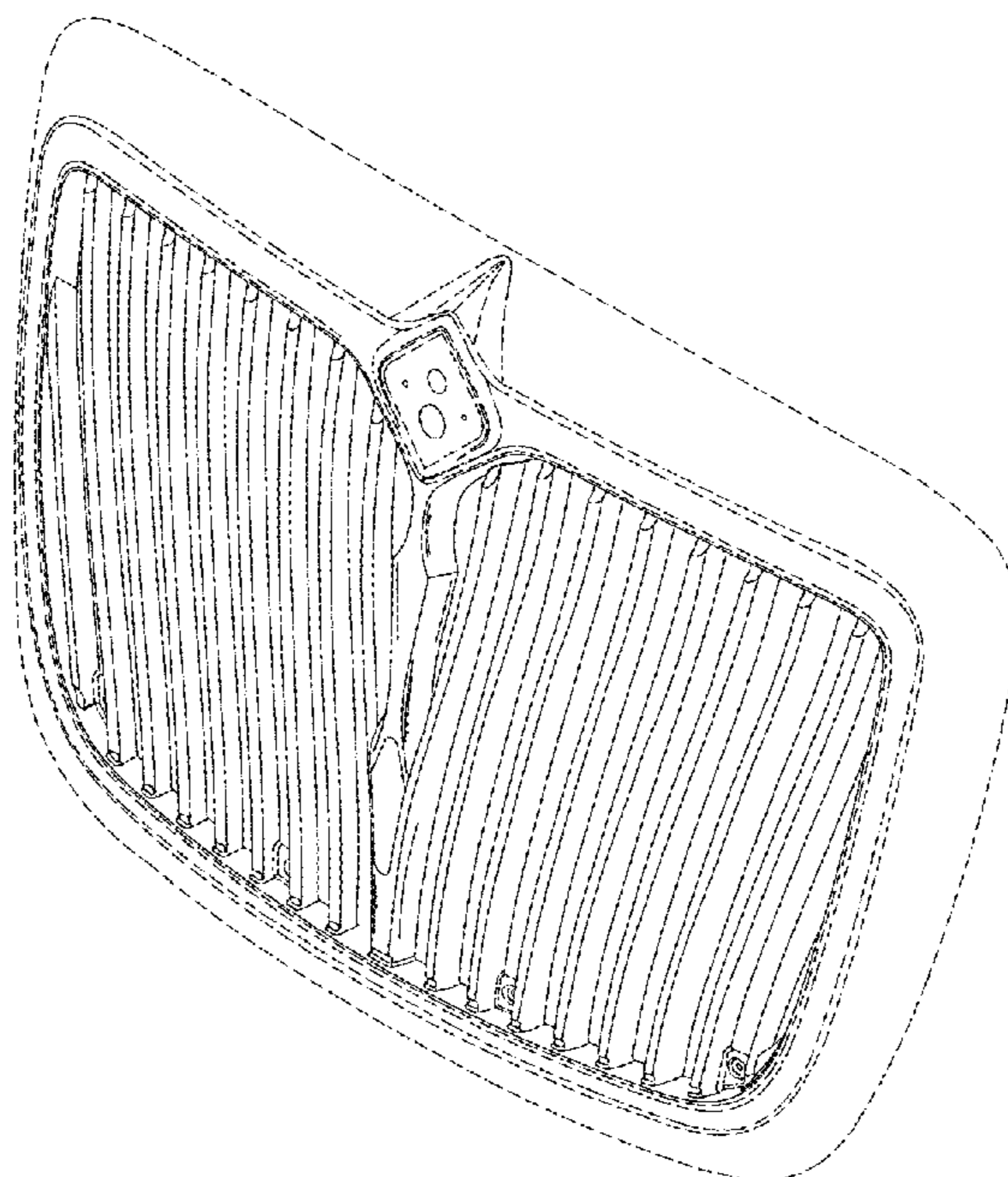
The ornamental design for a radiator grille, as shown and described.

DESCRIPTION

FIG. 1 is a perspective view of a radiator grille showing my new design;
FIG. 2 is a front elevation view thereof;
FIG. 3 is a rear elevation view thereof;
FIG. 4 is a left side elevation view thereof;
FIG. 5 is a right side elevation view thereof;
FIG. 6 is a top plan view thereof; and,
FIG. 7 is a bottom plan view thereof.

The broken lines shown in the drawings illustrate portions of the radiator grille that forms no part of claimed design.

1 Claim, 7 Drawing Sheets



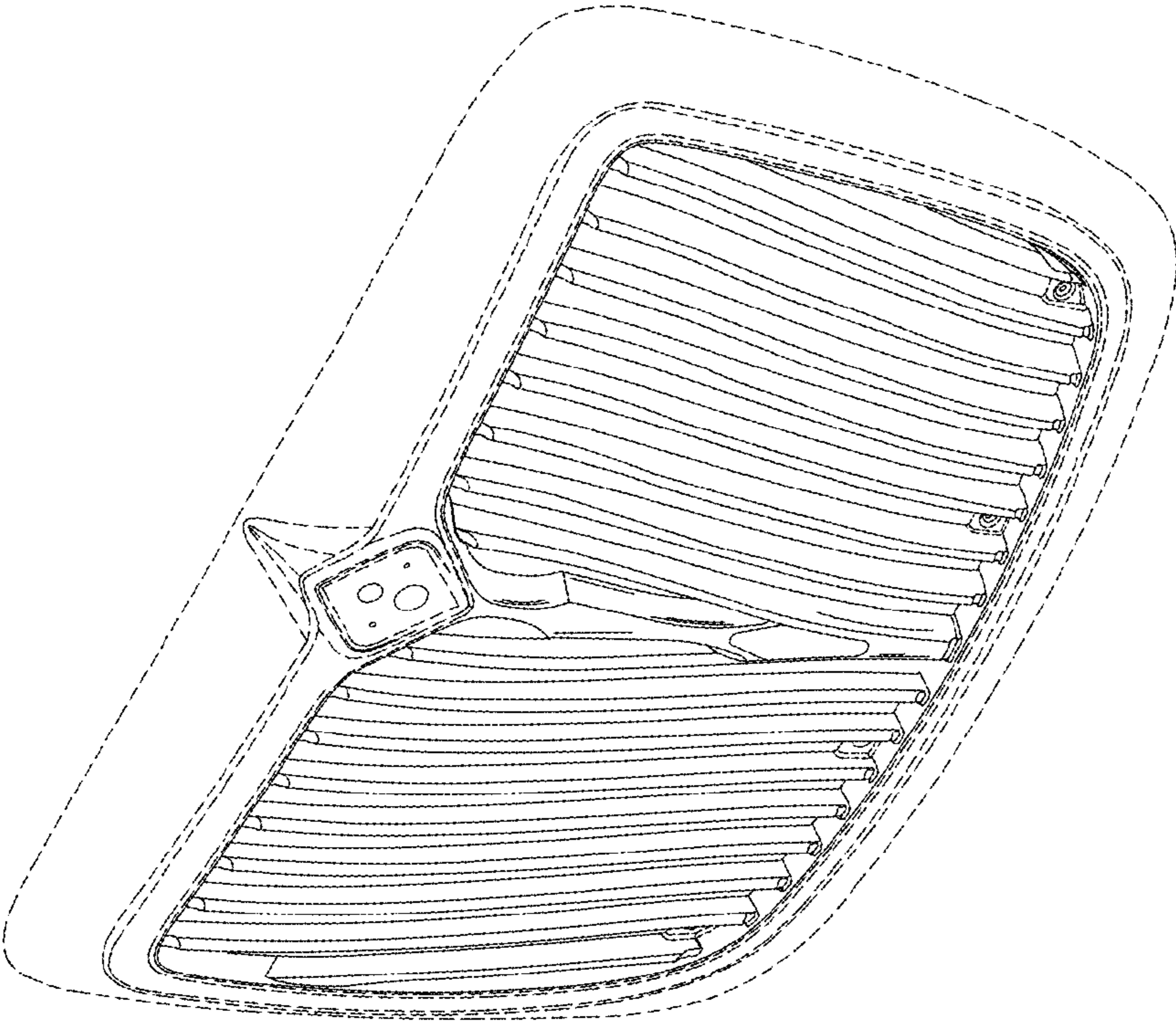


Fig. 1

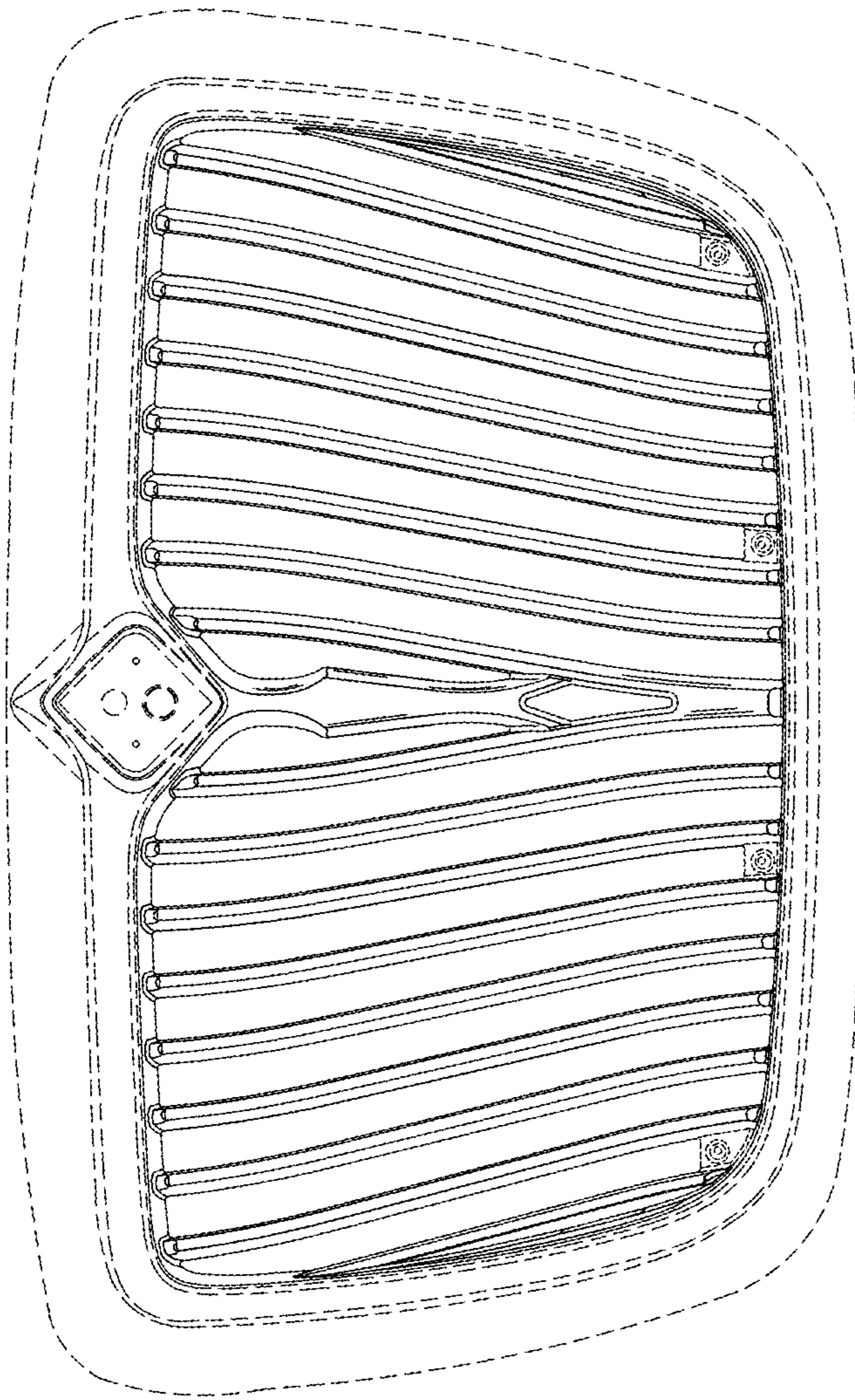


Fig. 2

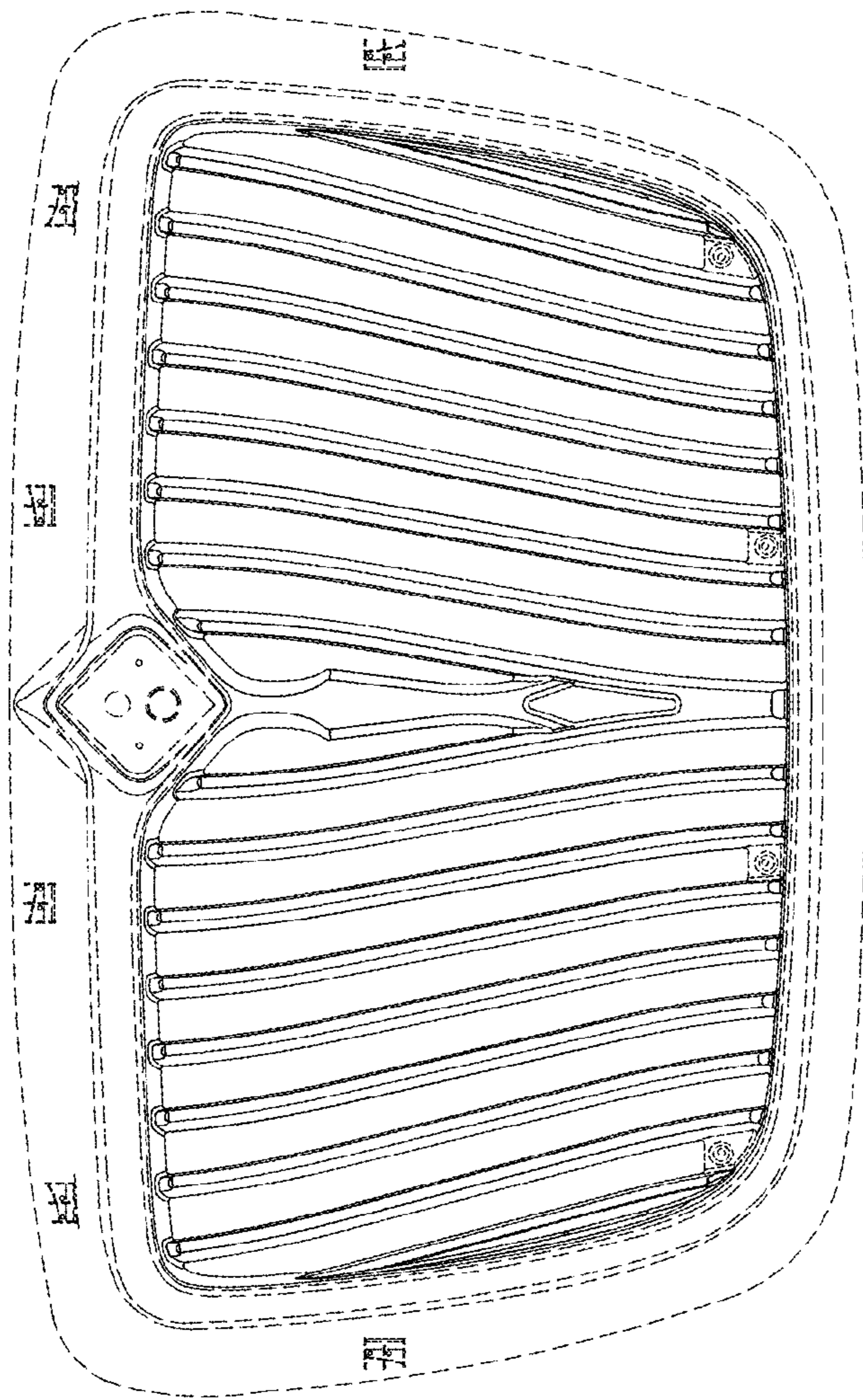


Fig. 3

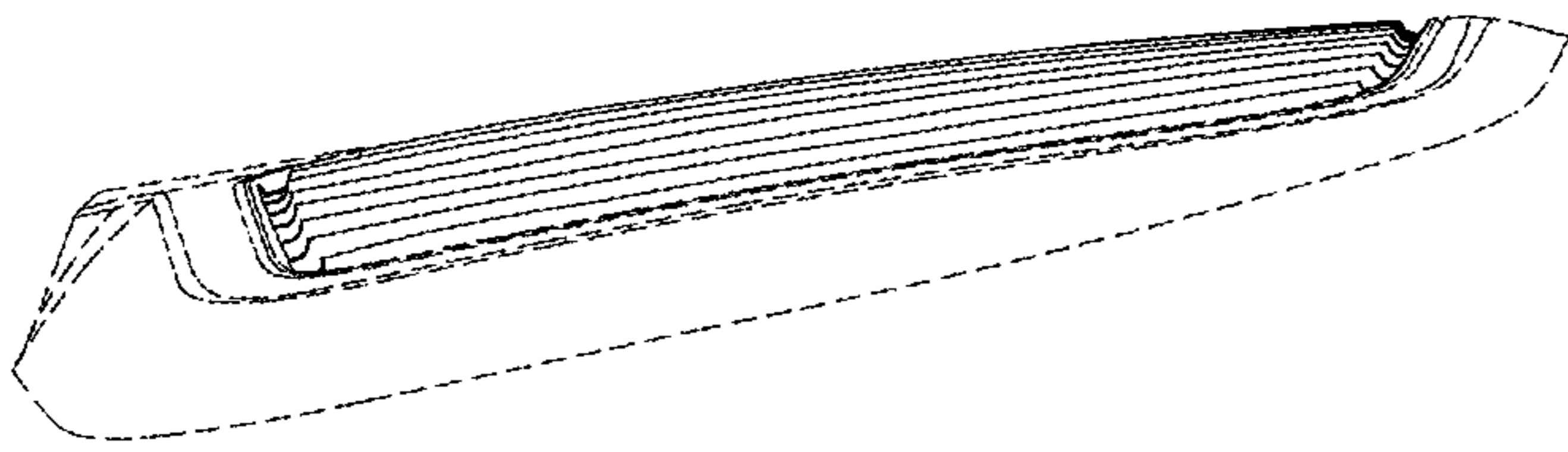


Fig. 4

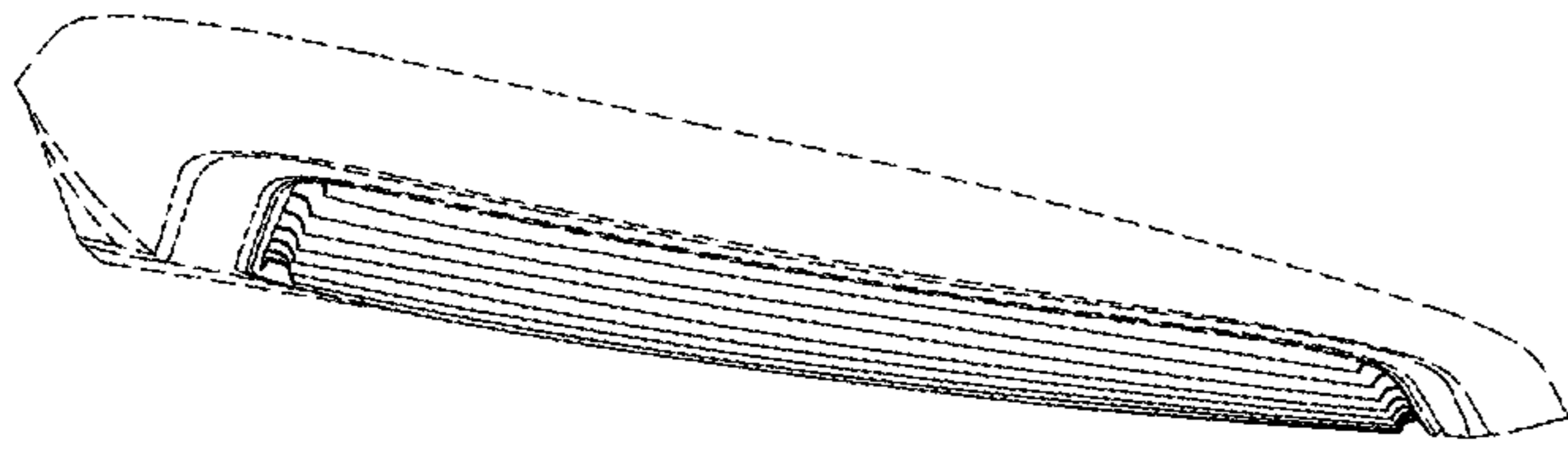


Fig. 5

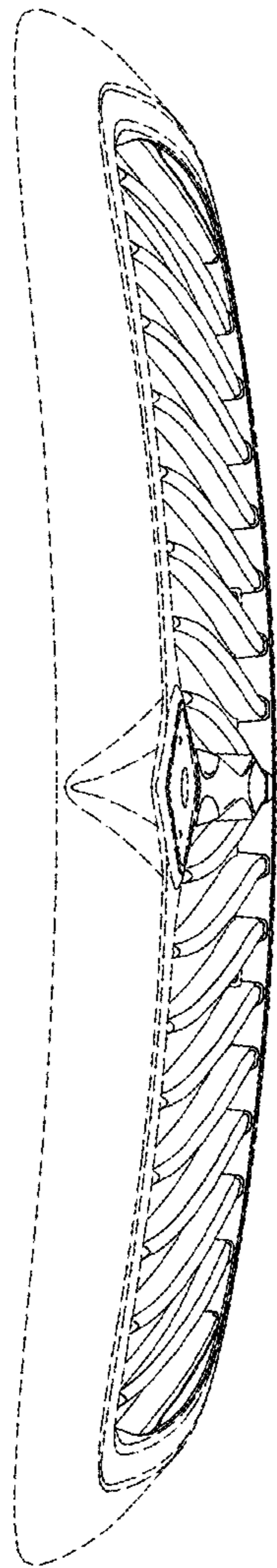


Fig. 6

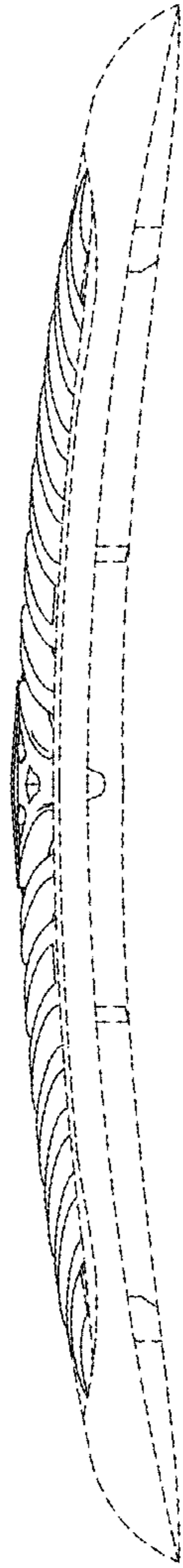


Fig. 7