



US00D691071S

(12) **United States Design Patent**  
**Deng**

(10) **Patent No.:** **US D691,071 S**

(45) **Date of Patent:** **\*\* Oct. 8, 2013**

(54) **UPPER FOOT COUPLING DEVICE FOR A BICYCLE PEDAL**

(71) Applicant: **Xiao-Ming Deng**, Flushing, NY (US)

(72) Inventor: **Xiao-Ming Deng**, Flushing, NY (US)

(\*\*) Term: **14 Years**

(21) Appl. No.: **29/433,712**

(22) Filed: **Oct. 4, 2012**

(51) **LOC (9) Cl.** ..... **12-11**

(52) **U.S. Cl.**  
USPC ..... **D12/125**

(58) **Field of Classification Search**  
USPC ..... D12/125, 84, 181, 186, 190, 191, 196,  
D12/400, 111, 223; D8/300, 306, 307, 382,  
D8/387, 394; 74/594.1-594.7; 280/265,  
280/294; 36/131  
See application file for complete search history.

(56) **References Cited**

**U.S. PATENT DOCUMENTS**

493,696	A	3/1893	Ferguson	
605,536	A	6/1898	Brice	
D286,993	S *	12/1986	Kotamaki	D12/125
D286,996	S *	12/1986	Hartmann et al.	D12/125
4,809,563	A *	3/1989	Loppnow	74/594.6
D302,259	S *	7/1989	Konzorr et al.	D12/125
5,456,138	A	10/1995	Nutile	
7,938,040	B2 *	5/2011	Deng	74/594.6

\* cited by examiner

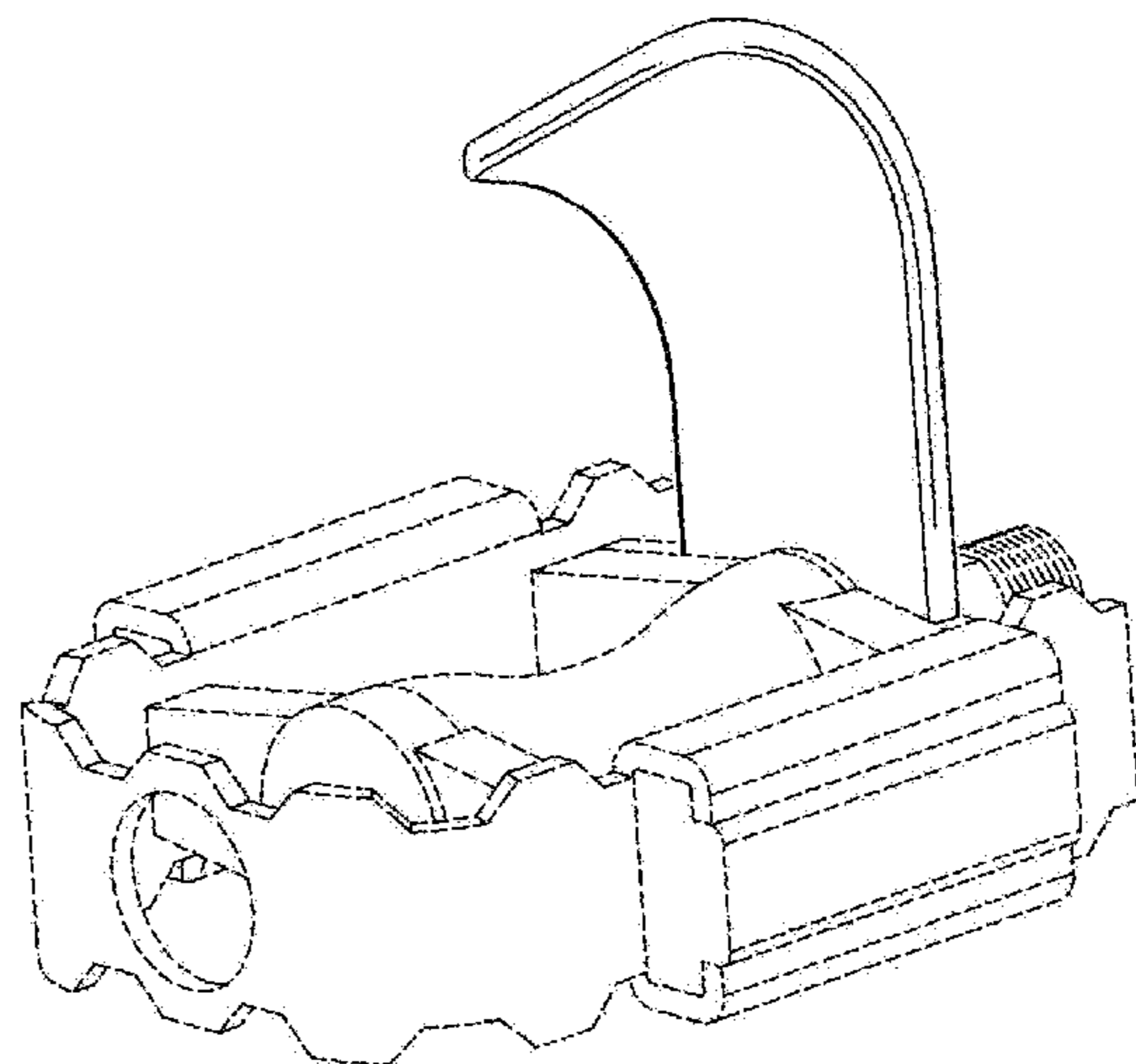
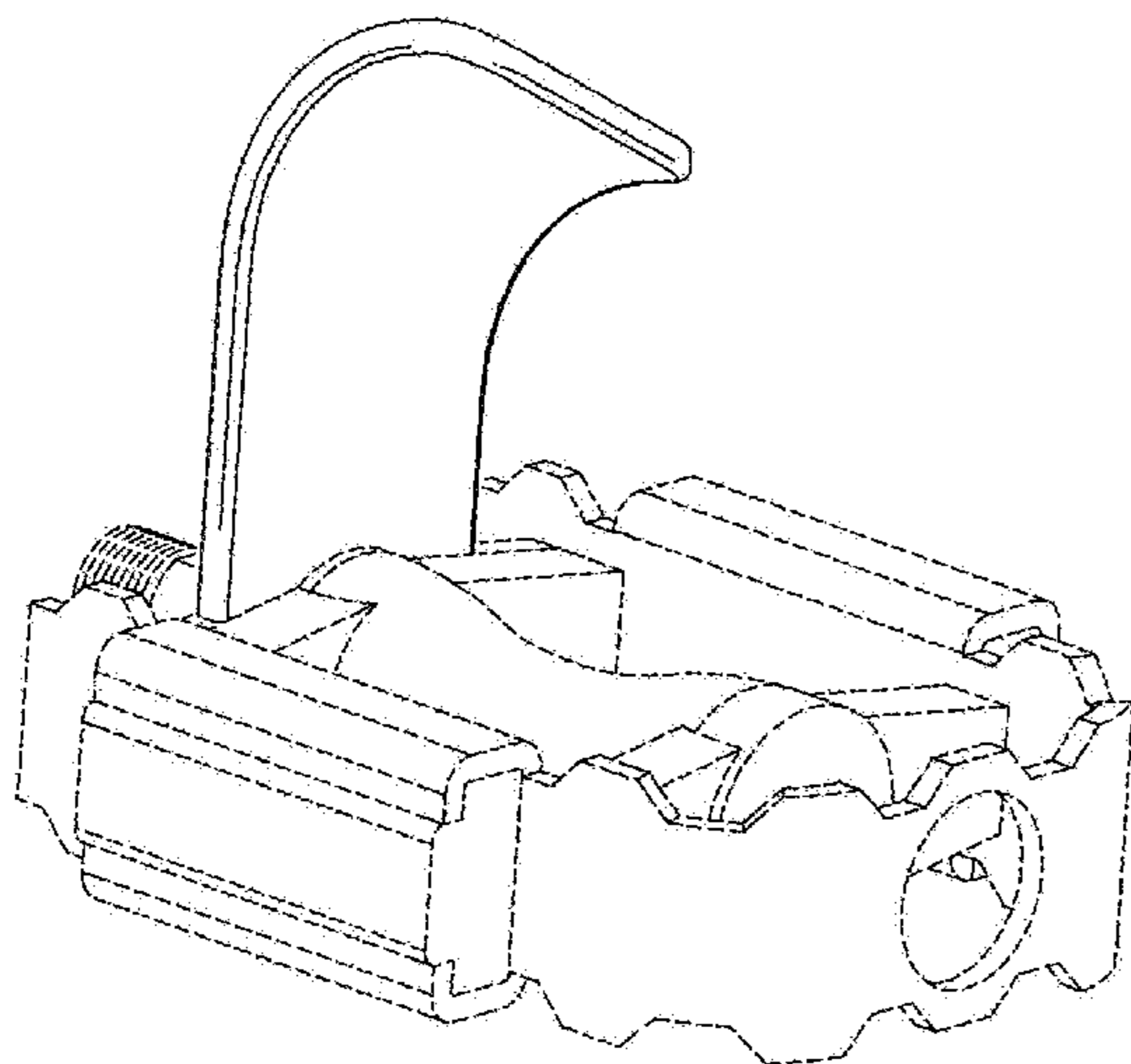
*Primary Examiner* — Susan M Lee  
*Assistant Examiner* — Linda G Brooks

(57) **CLAIM**  
The ornamental design for an upper foot coupling device for a bicycle pedal, as shown and described.

**DESCRIPTION**

FIG. 1 is a right side and back side perspective view of the upper foot coupling device, of the upper foot coupling device for a bicycle pedal, showing my new design in use;  
FIG. 2 is a left side and back side perspective view of another embodiment of the upper foot coupling device, of the upper foot coupling device for a bicycle pedal, showing a left-foot version thereof;  
FIG. 3 is a left side and front side perspective view of FIG. 1;  
FIG. 4 is a right side and front side perspective view of FIG. 2;  
FIG. 5 is a back side view of FIG. 2;  
FIG. 6 is a back side view of FIG. 1;  
FIG. 7 is a front side view of FIG. 1;  
FIG. 8 is a front side view of FIG. 2;  
FIG. 9 is a left side view of FIG. 2;  
FIG. 10 is a right side view of FIG. 1;  
FIG. 11 is a right side view of FIG. 2;  
FIG. 12 is a left side view of FIG. 1;  
FIG. 13 is a top view of FIG. 1 or FIG. 2; and,  
FIG. 14 is a bottom view of FIG. 1 or FIG. 2.  
The portions of the figures illustrated in broken lines are for environmental purposes only and form no part of the claimed design.

**1 Claim, 5 Drawing Sheets**



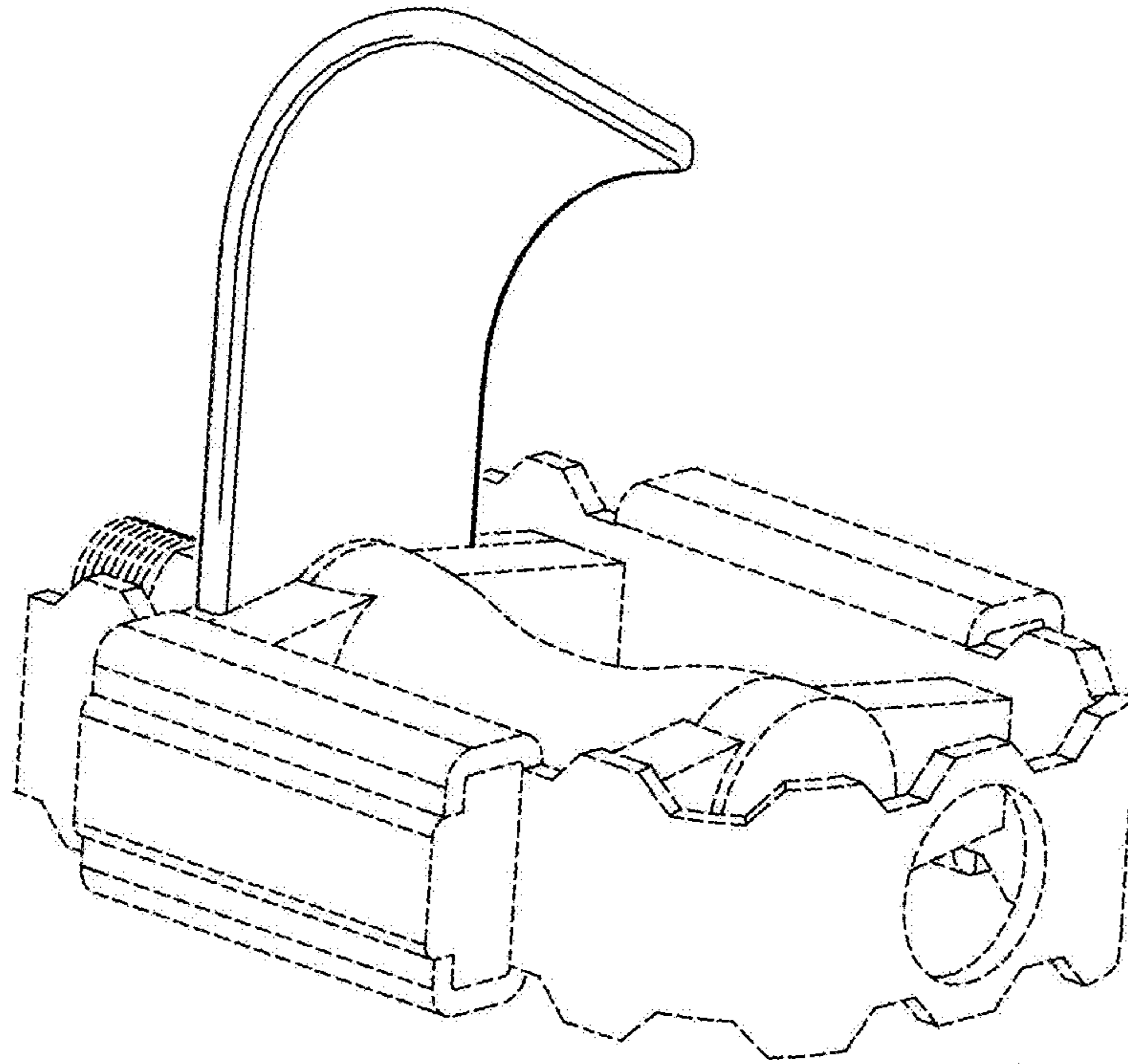


Fig. 1

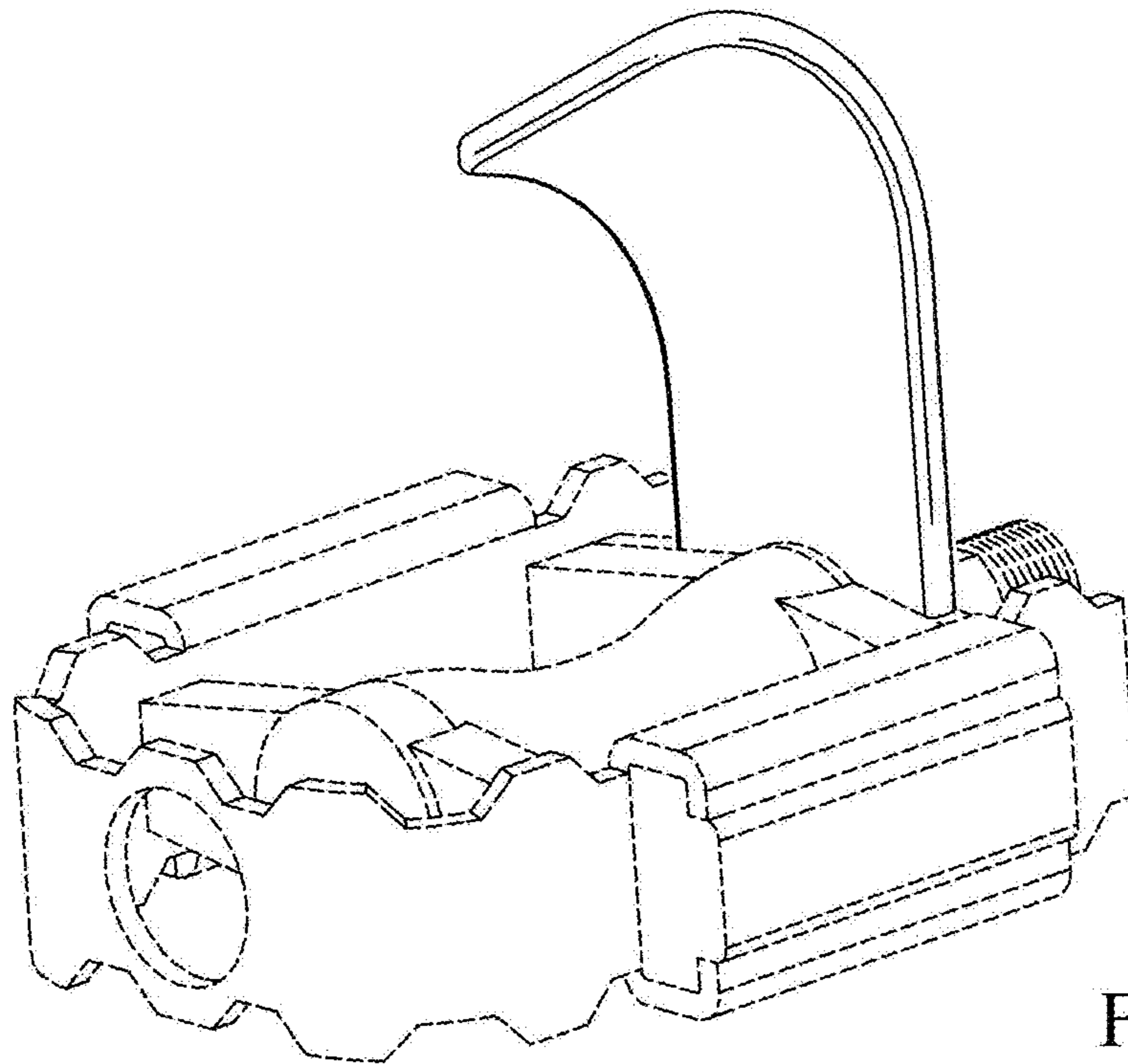


Fig. 2

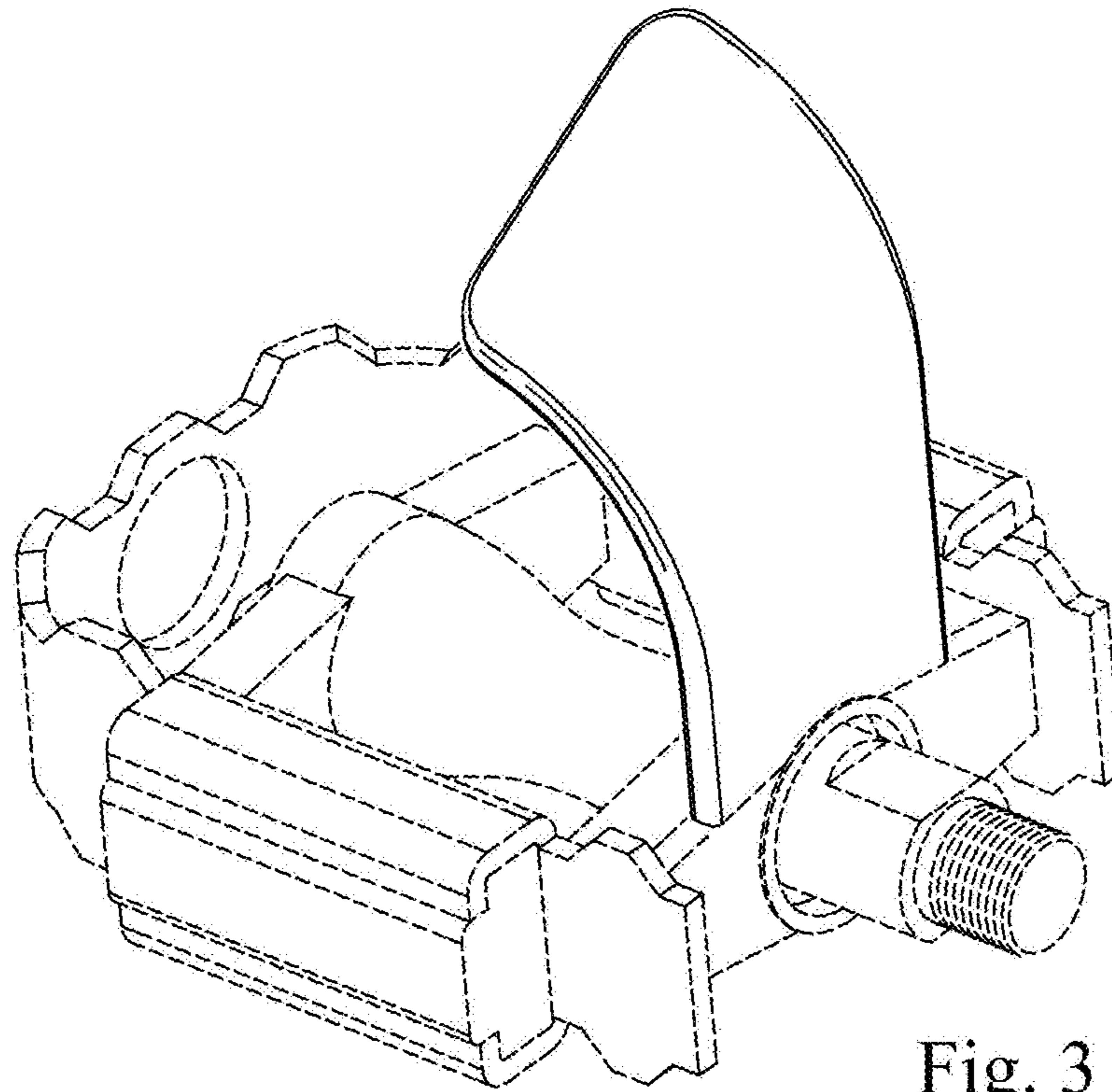


Fig. 3

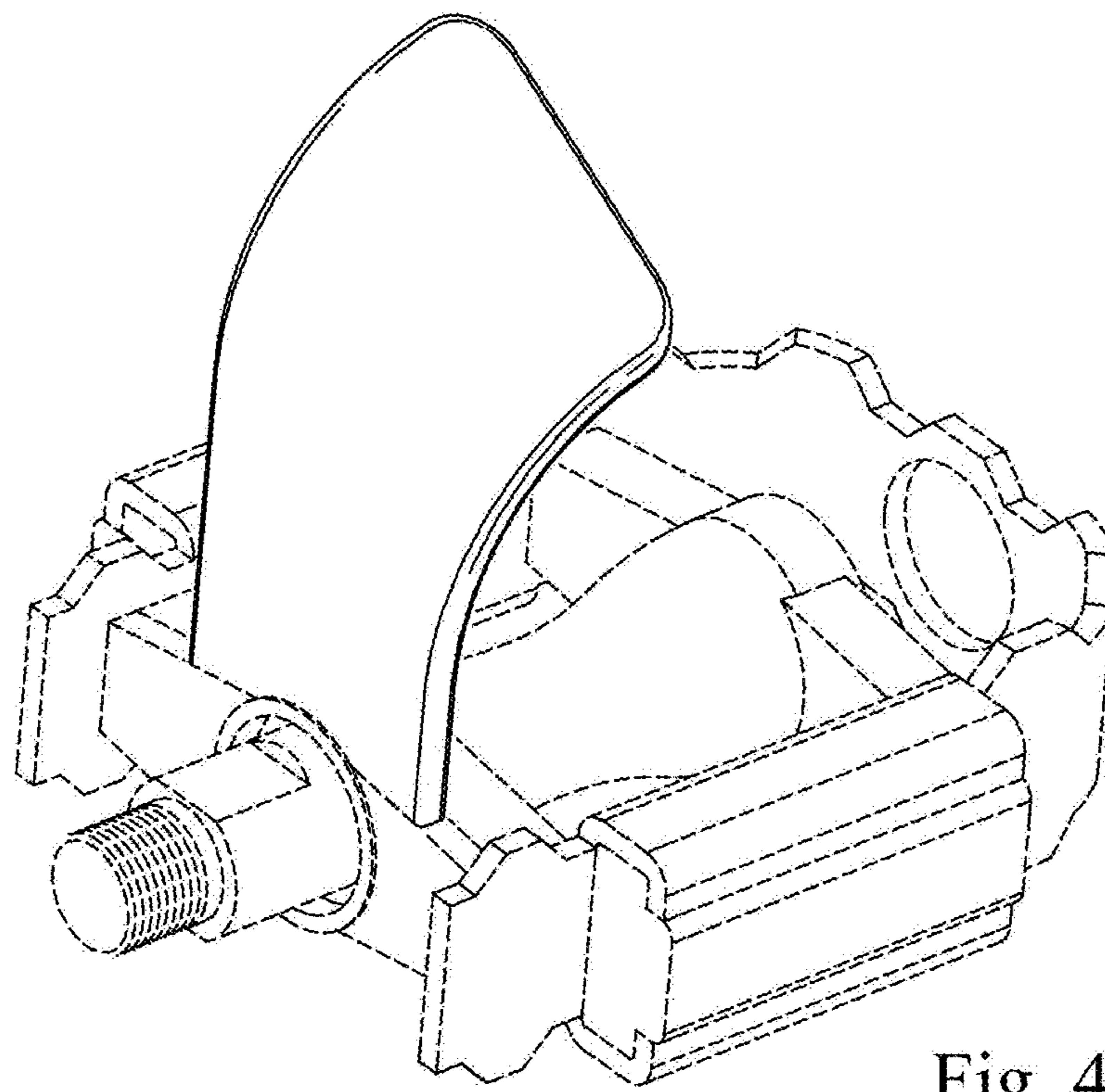


Fig. 4



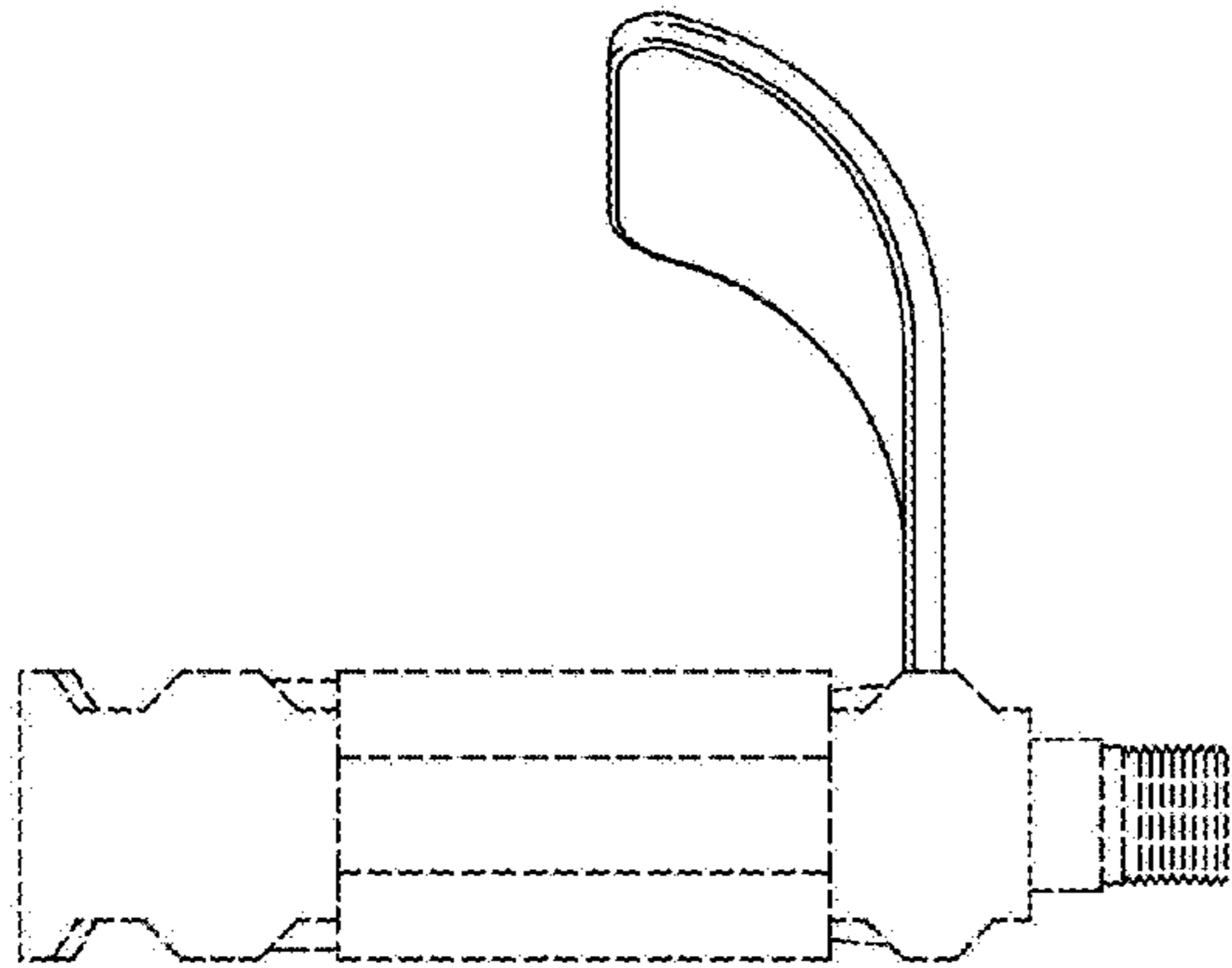


Fig. 5

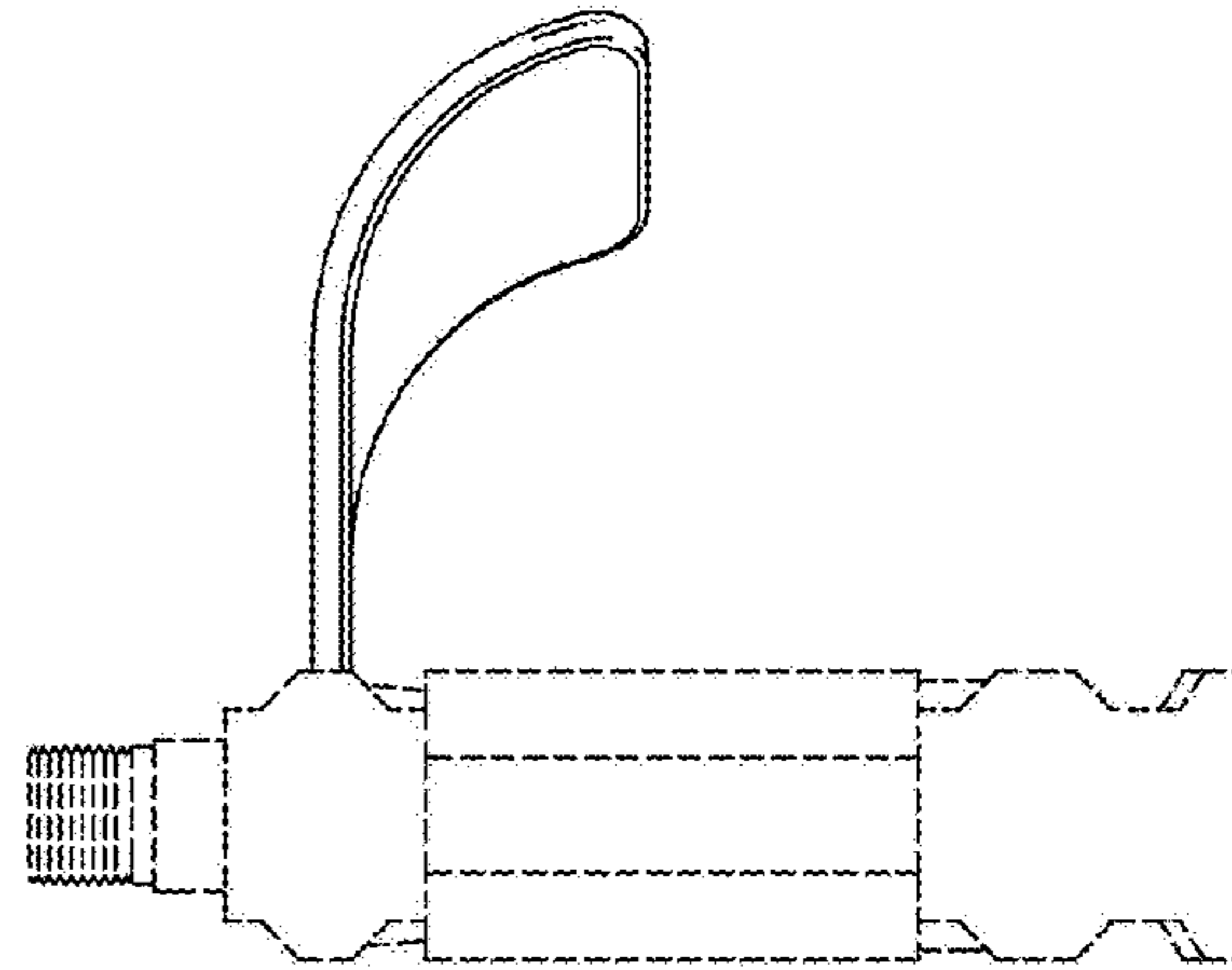


Fig. 6

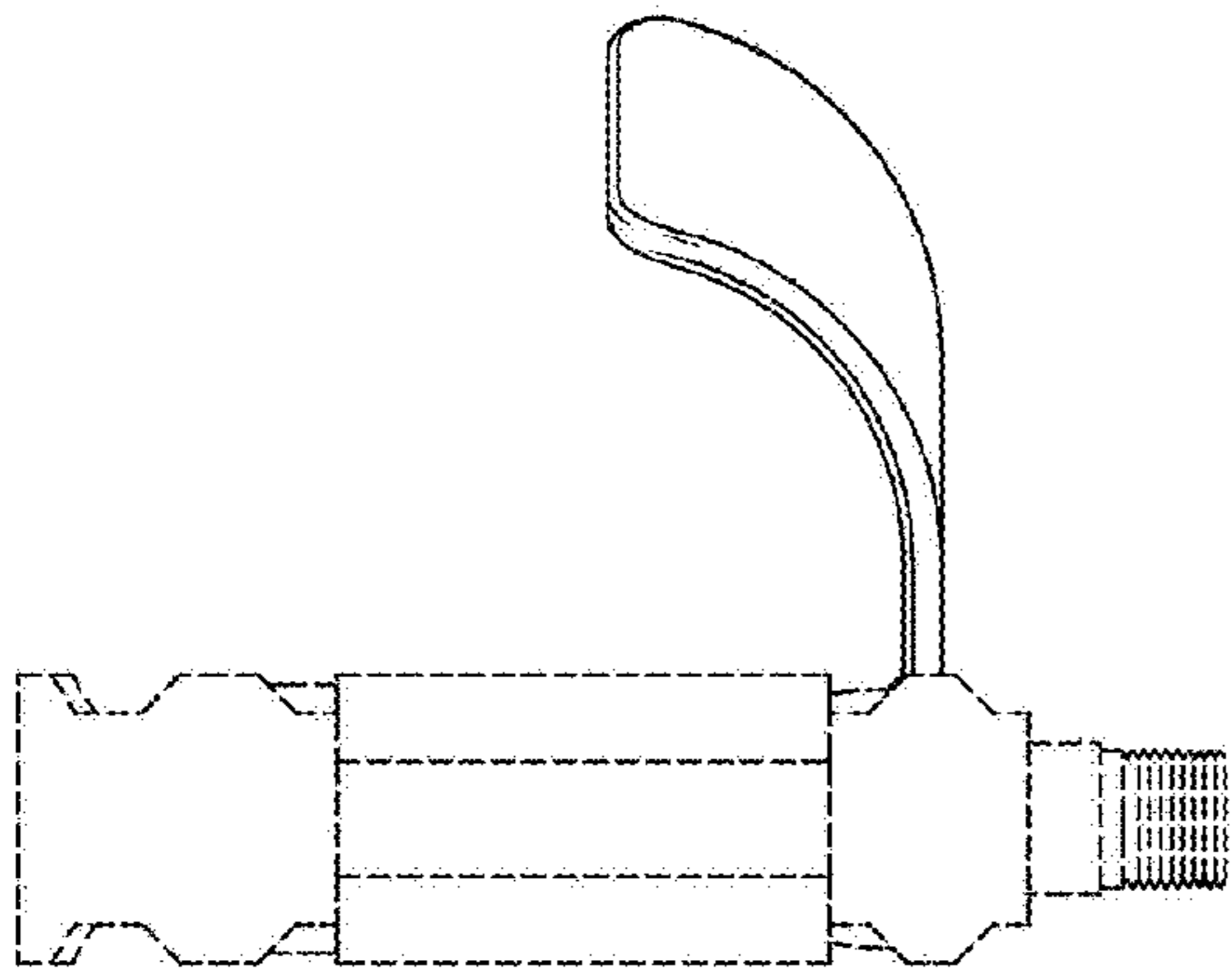


Fig. 7

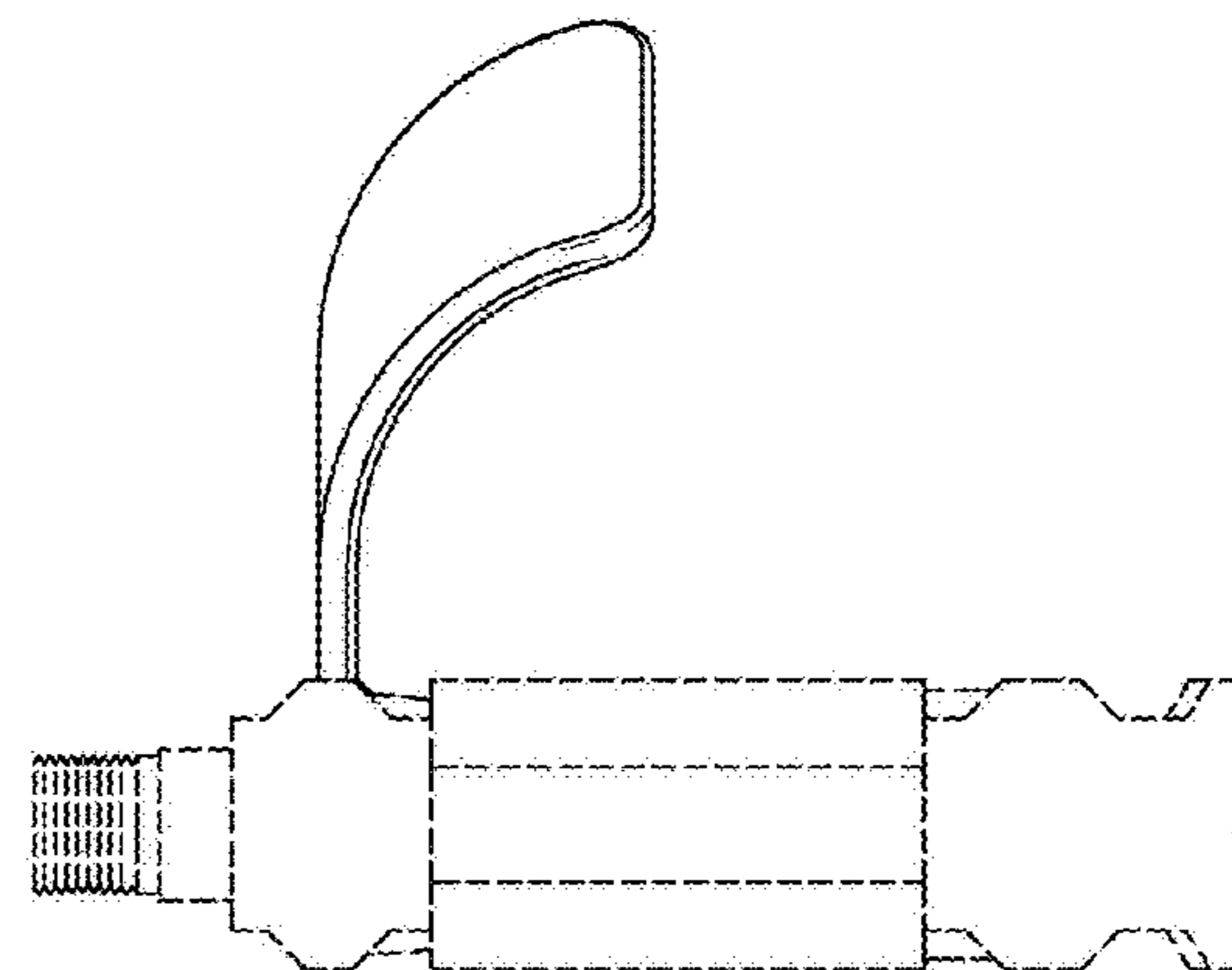


Fig. 8

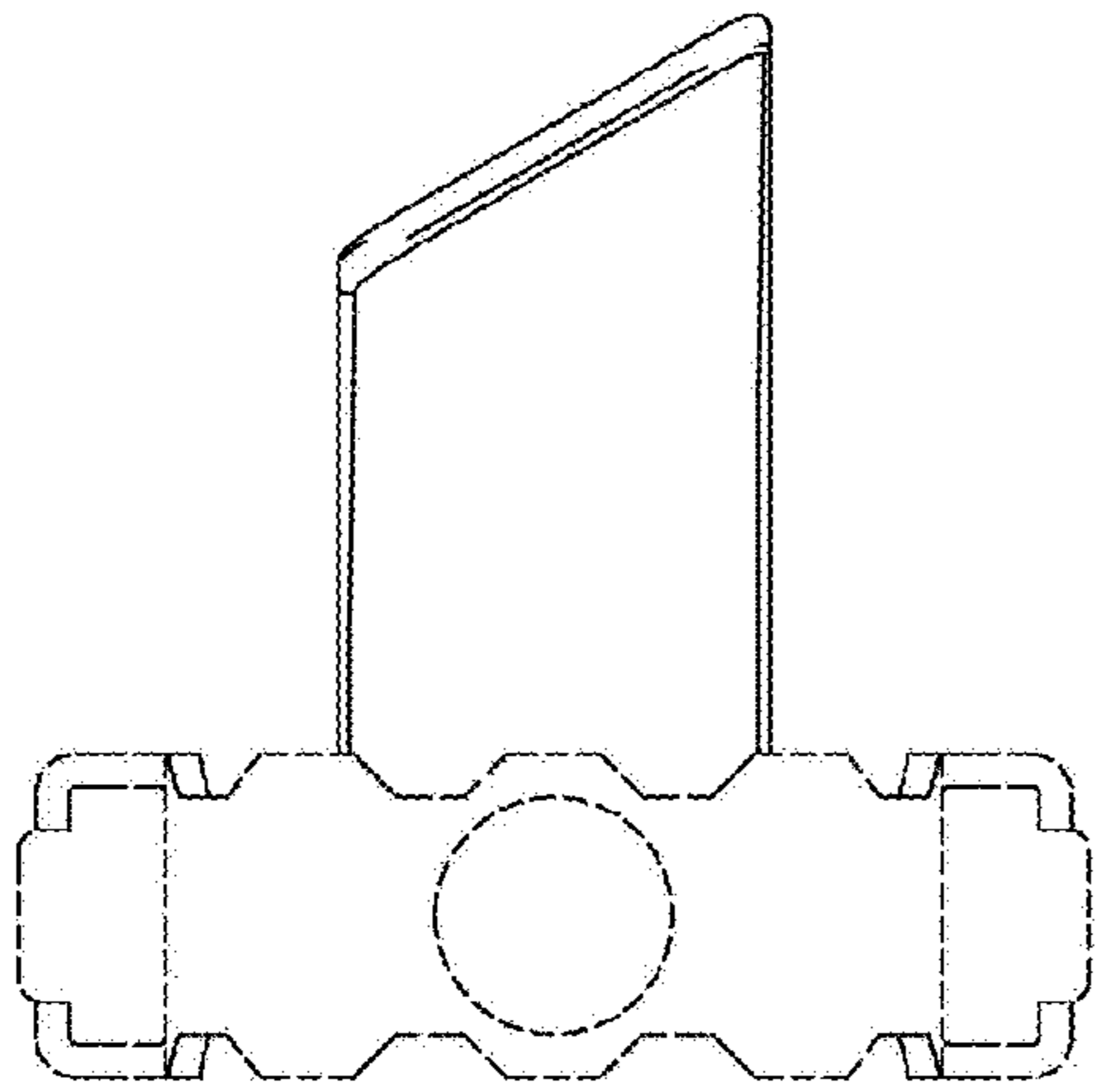


Fig. 9

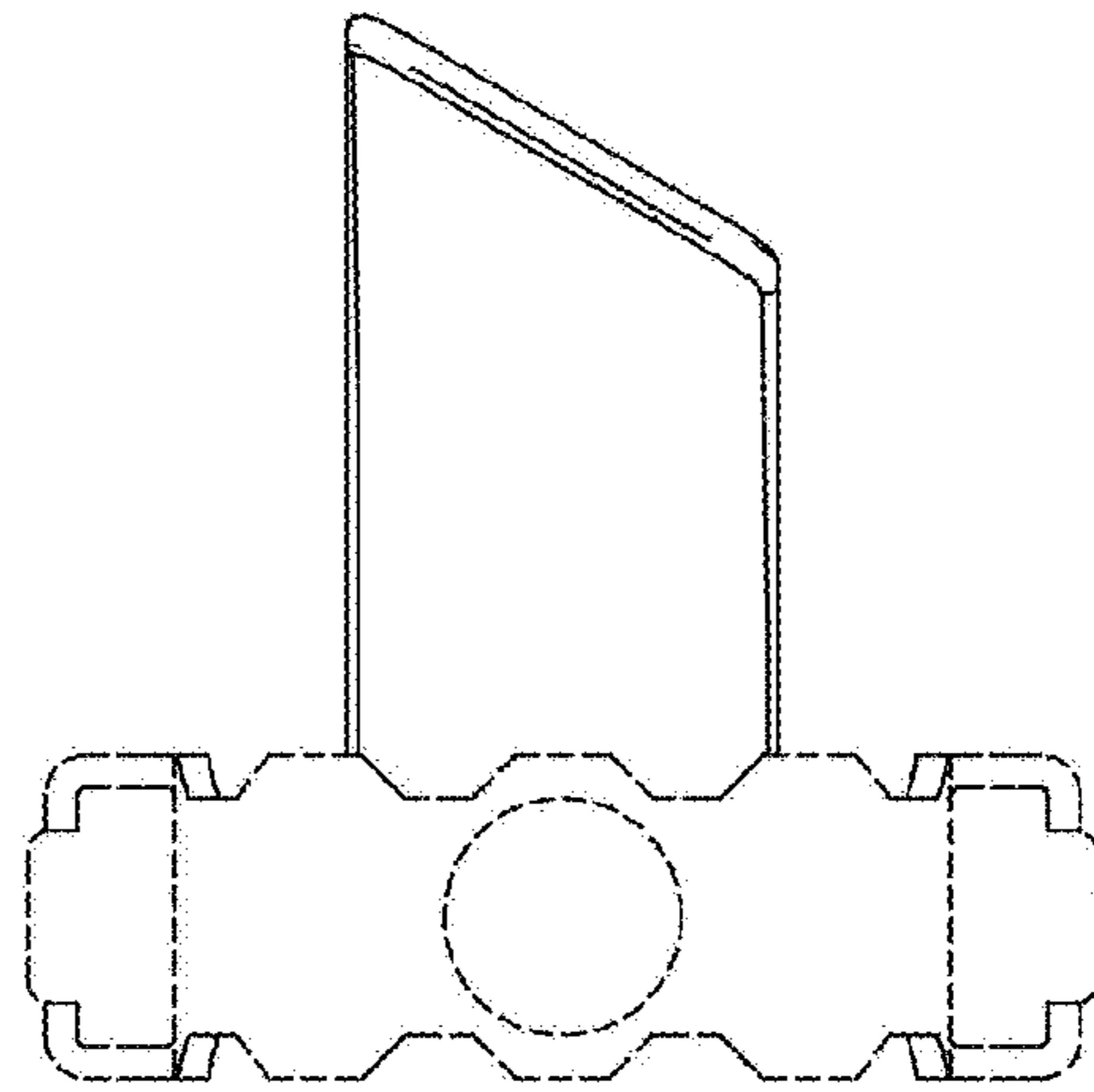


Fig. 10

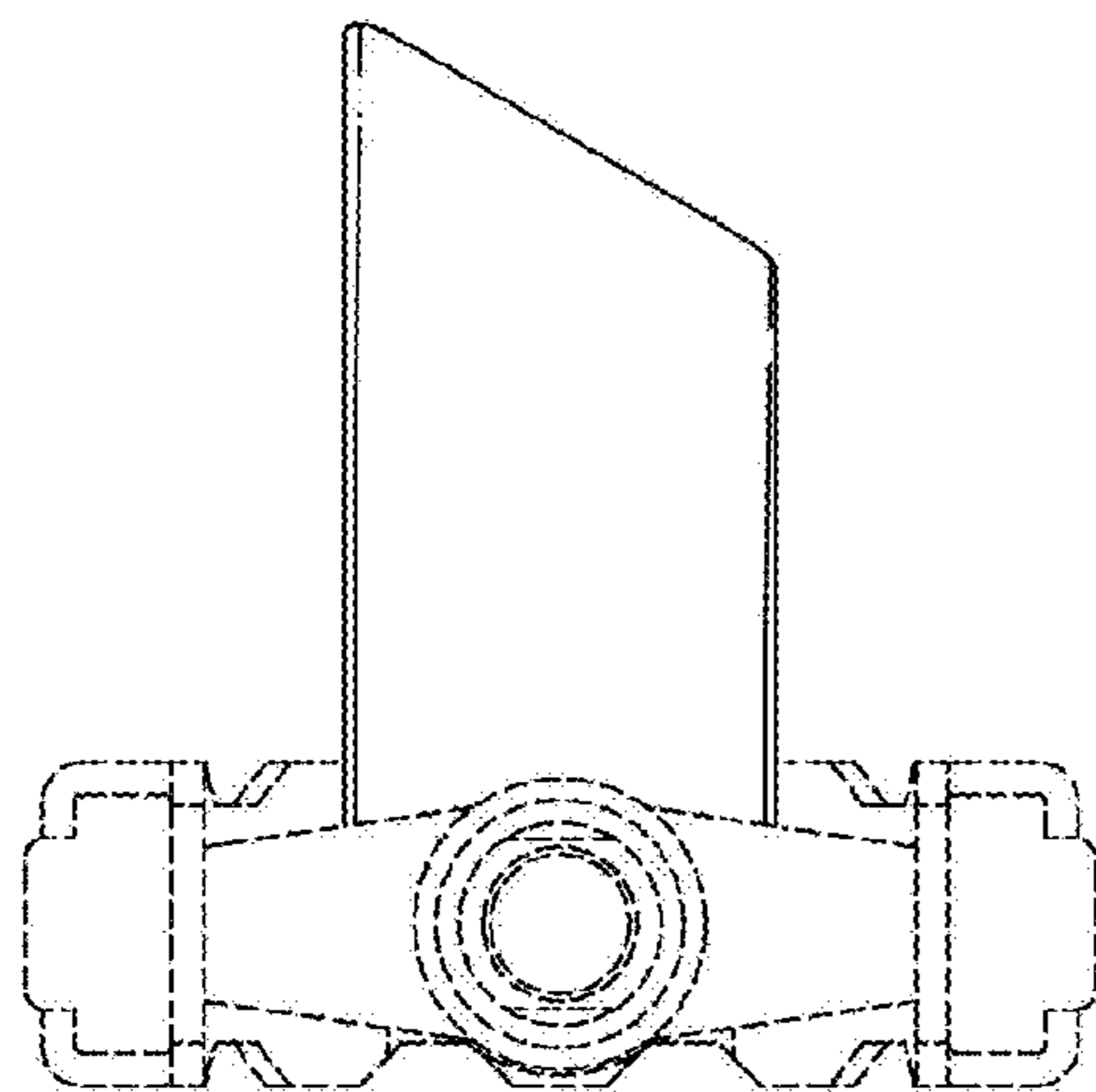


Fig. 11

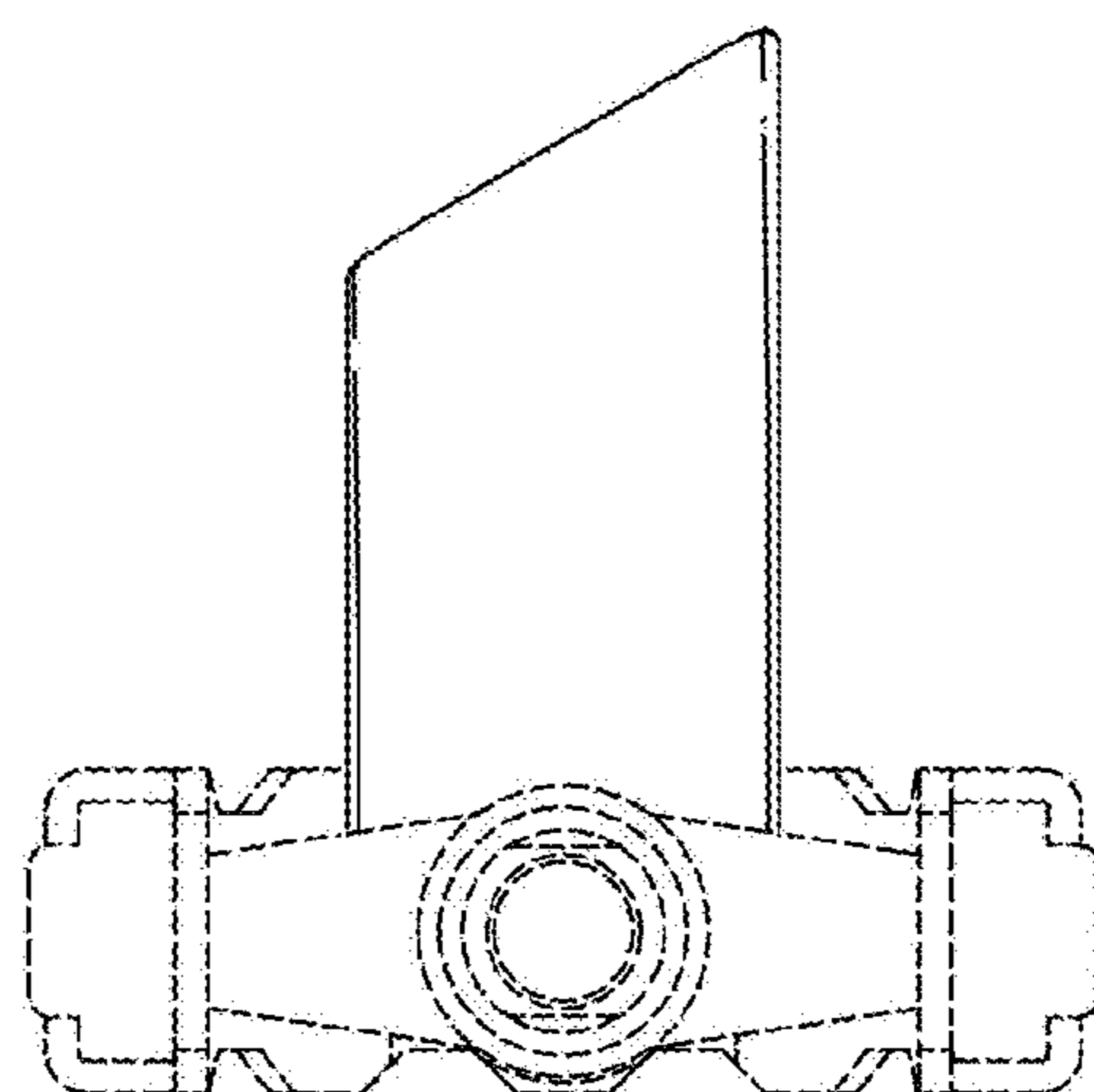


Fig. 12

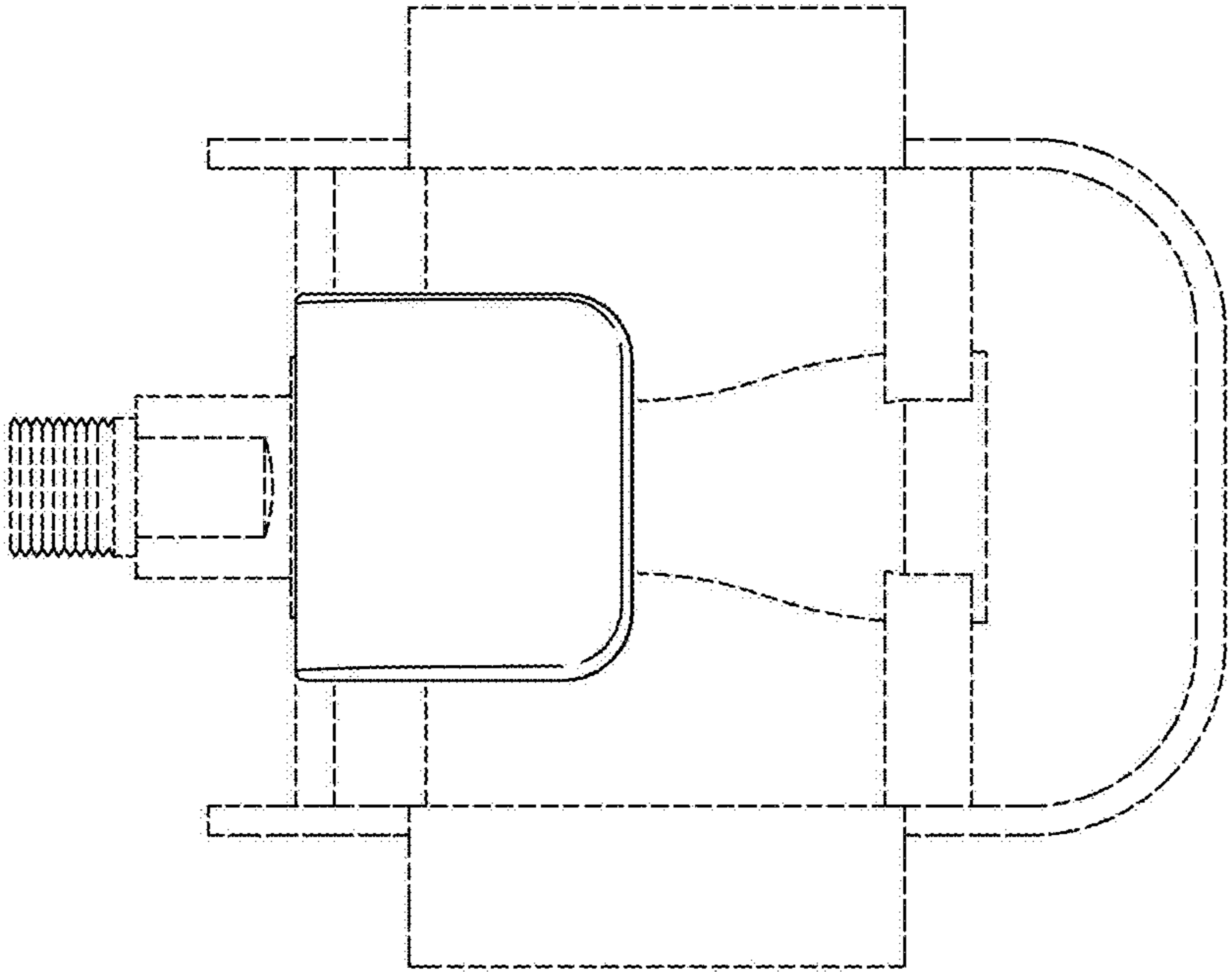


Fig. 13

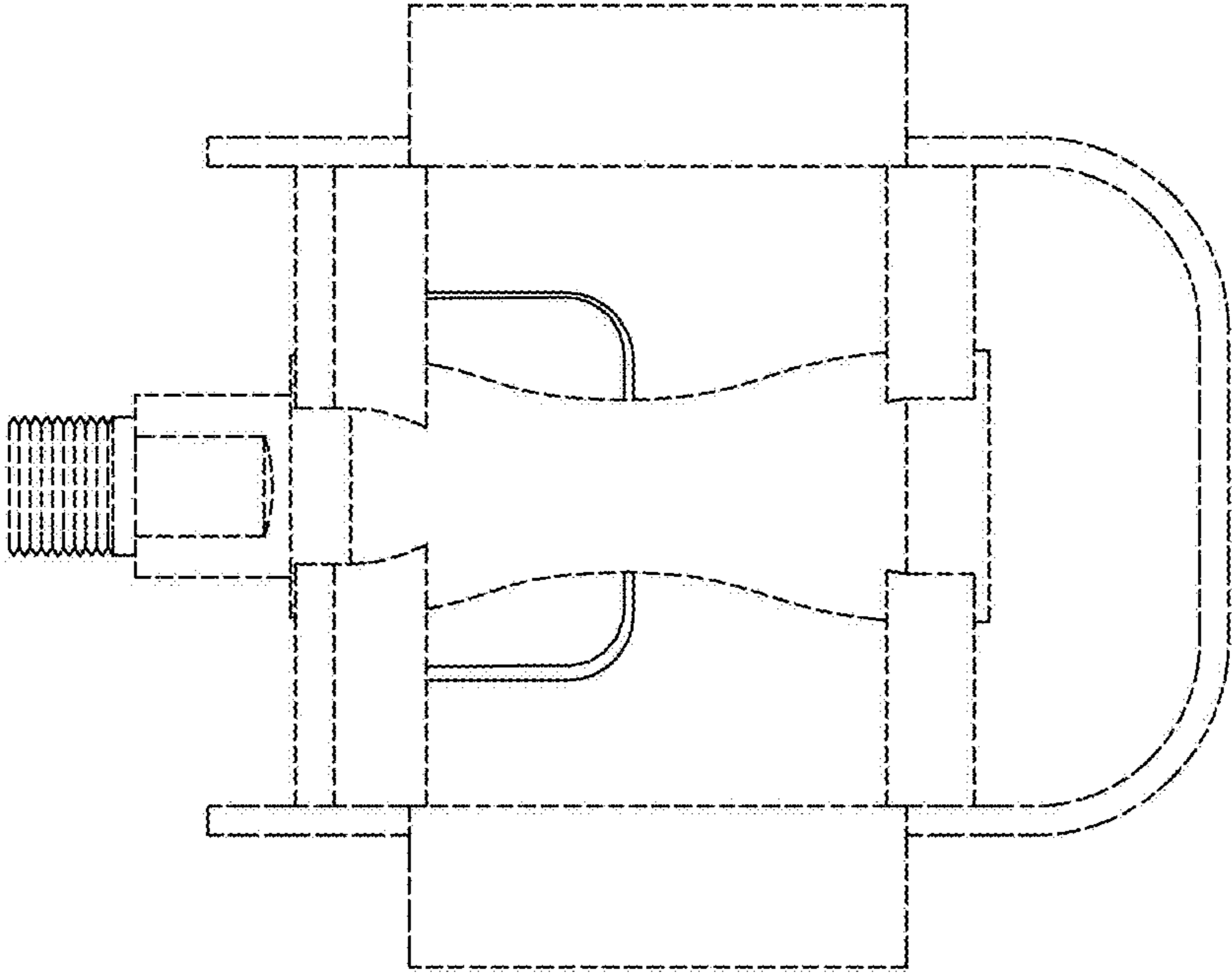


Fig. 14