



US00D691070S

(12) **United States Design Patent**
Vollmer et al.

(10) **Patent No.:** **US D691,070 S**
(45) **Date of Patent:** **** Oct. 8, 2013**

(54) **BICYCLE FRAME**

(71) Applicant: **Faraday Bicycles, Inc.**, Palo Alto, CA (US)

(72) Inventors: **Adam Patrick Vollmer**, Palo Alto, CA (US); **Adam Reineck**, San Francisco, CA (US); **Kyle Doerksen**, Mountain View, CA (US)

(73) Assignee: **Faraday Bicycles, Inc.**, San Francisco, CA (US)

(**) Term: **14 Years**

(21) Appl. No.: **29/432,989**

(22) Filed: **Sep. 24, 2012**

(51) **LOC (9) Cl.** **12-11**

(52) **U.S. Cl.**
USPC **D12/111**

(58) **Field of Classification Search**
USPC D12/111, 117, 119, 110; 280/274, 280/275, 277, 281.1, 288.3, 276, 278, 279, 280/280, 283-288; 180/65.1, 65.29, 68.5, 180/205.1-205.7, 206.1-206.8, 207.1-207.3, 180/221-223, 211, 312, 228, 65.6-65.8, 180/65.31

See application file for complete search history.

(56) **References Cited**

U.S. PATENT DOCUMENTS

D45,219 S * 2/1914 Allen D12/111
D143,572 S * 1/1946 Bruce D12/111

3,800,898 A 4/1974 Griffin
5,445,400 A * 8/1995 Martin et al. 280/281.1
6,152,250 A 11/2000 Shu-Hsien
6,453,262 B1 9/2002 Kitamura
7,293,789 B1 * 11/2007 Efros 280/251
D636,298 S * 4/2011 Yang D12/111

* cited by examiner

Primary Examiner — Susan M Lee

Assistant Examiner — Linda G Brooks

(74) *Attorney, Agent, or Firm* — Kolisch Hartwell, P.C.

(57) **CLAIM**

We claim the ornamental design for a bicycle frame, as shown and described.

DESCRIPTION

FIG. 1 is a perspective view of a bicycle frame according to the invention.

FIG. 2 is a rear elevation view of the bicycle frame shown in FIG. 1.

FIG. 3 is a left side elevation view of the bicycle frame shown in FIG. 1.

FIG. 4 is a top plan view of the bicycle frame shown in FIG. 1; and,

FIG. 5 is a front elevation view bicycle frame shown in FIG. 1.

The right side elevation view of the design is a mirror image of the left side elevation view, so the right side elevation view has been omitted.

The portions of the bicycle frame shown in broken lines illustrate unclaimed structure.

1 Claim, 3 Drawing Sheets

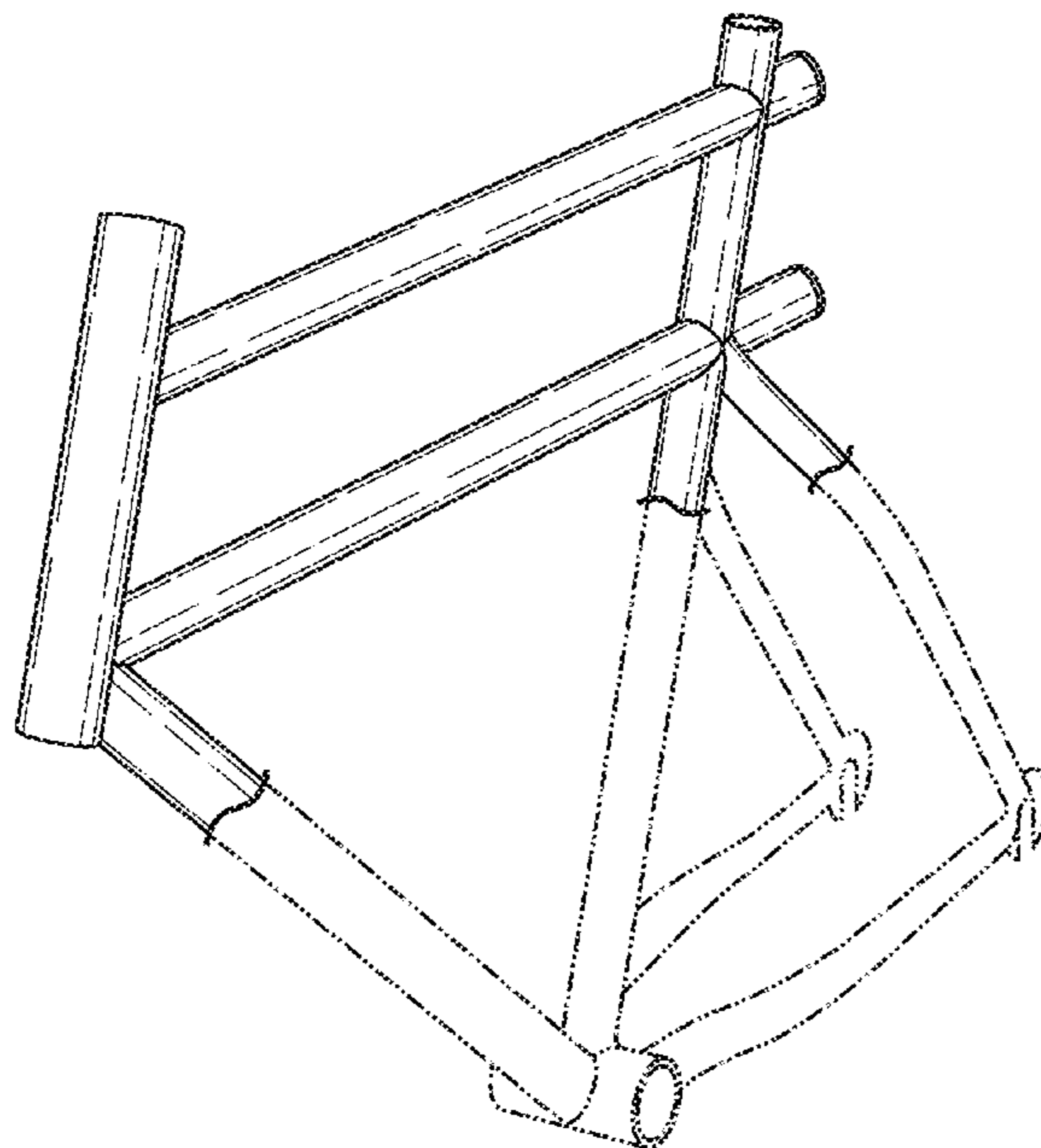


Fig. 2

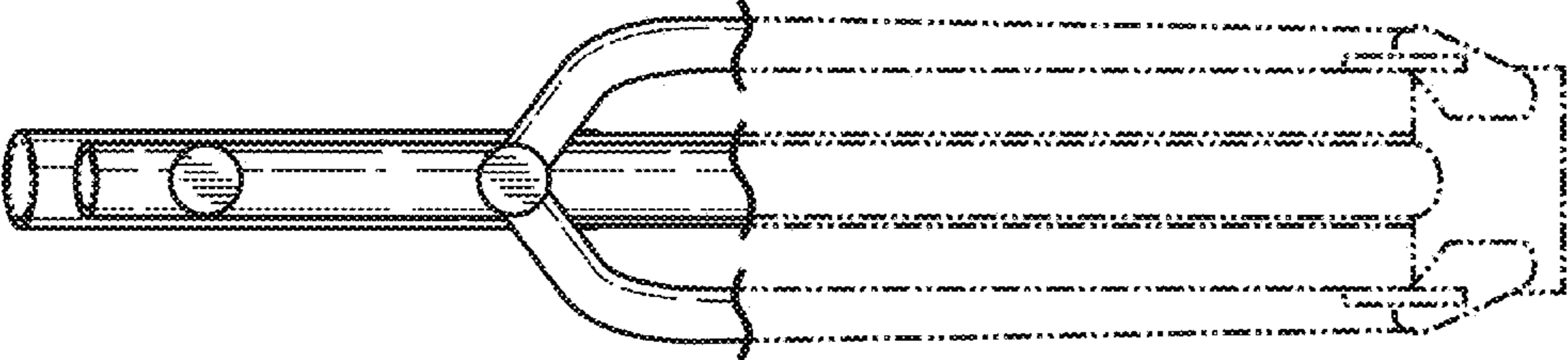
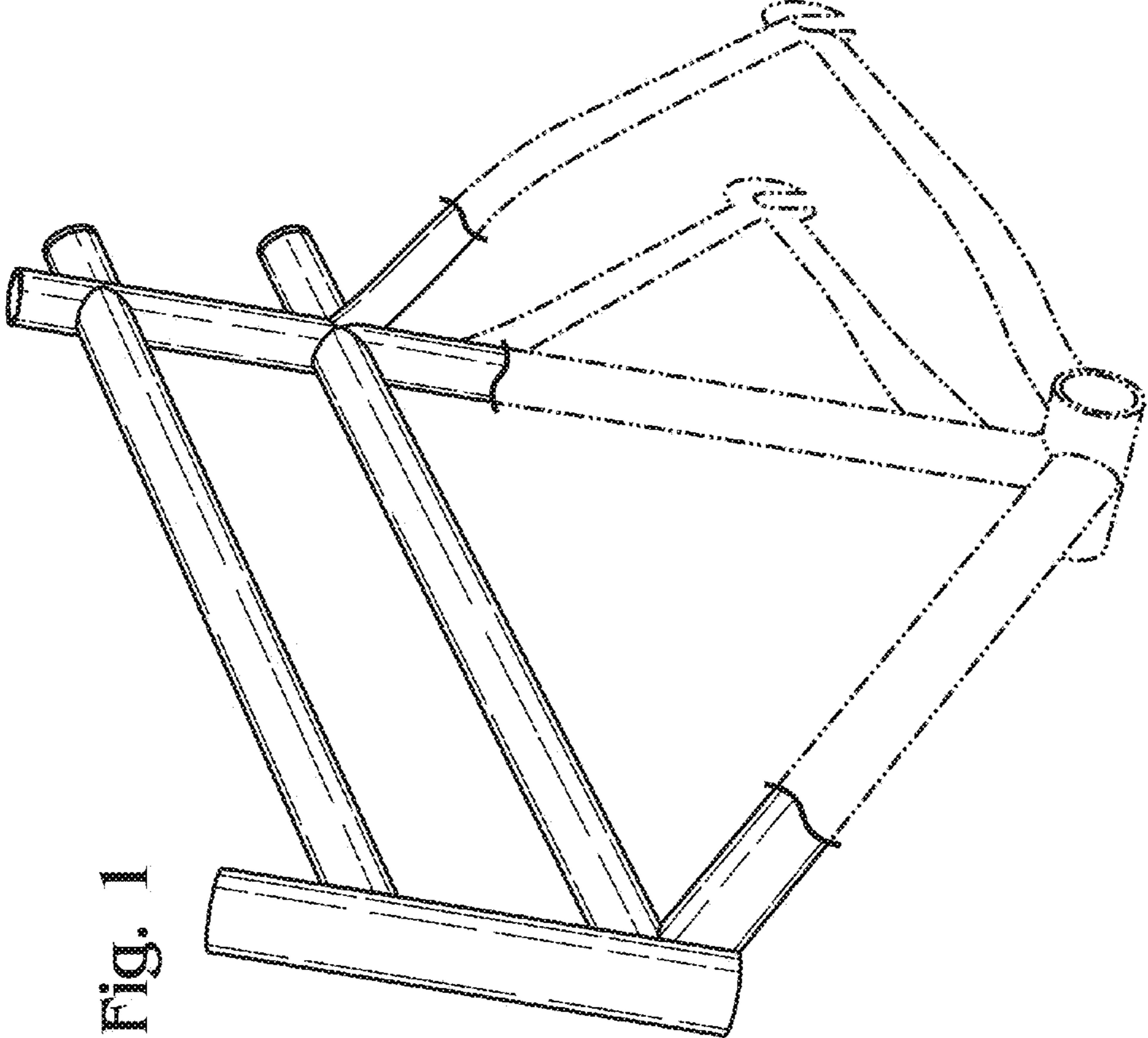


Fig. 1



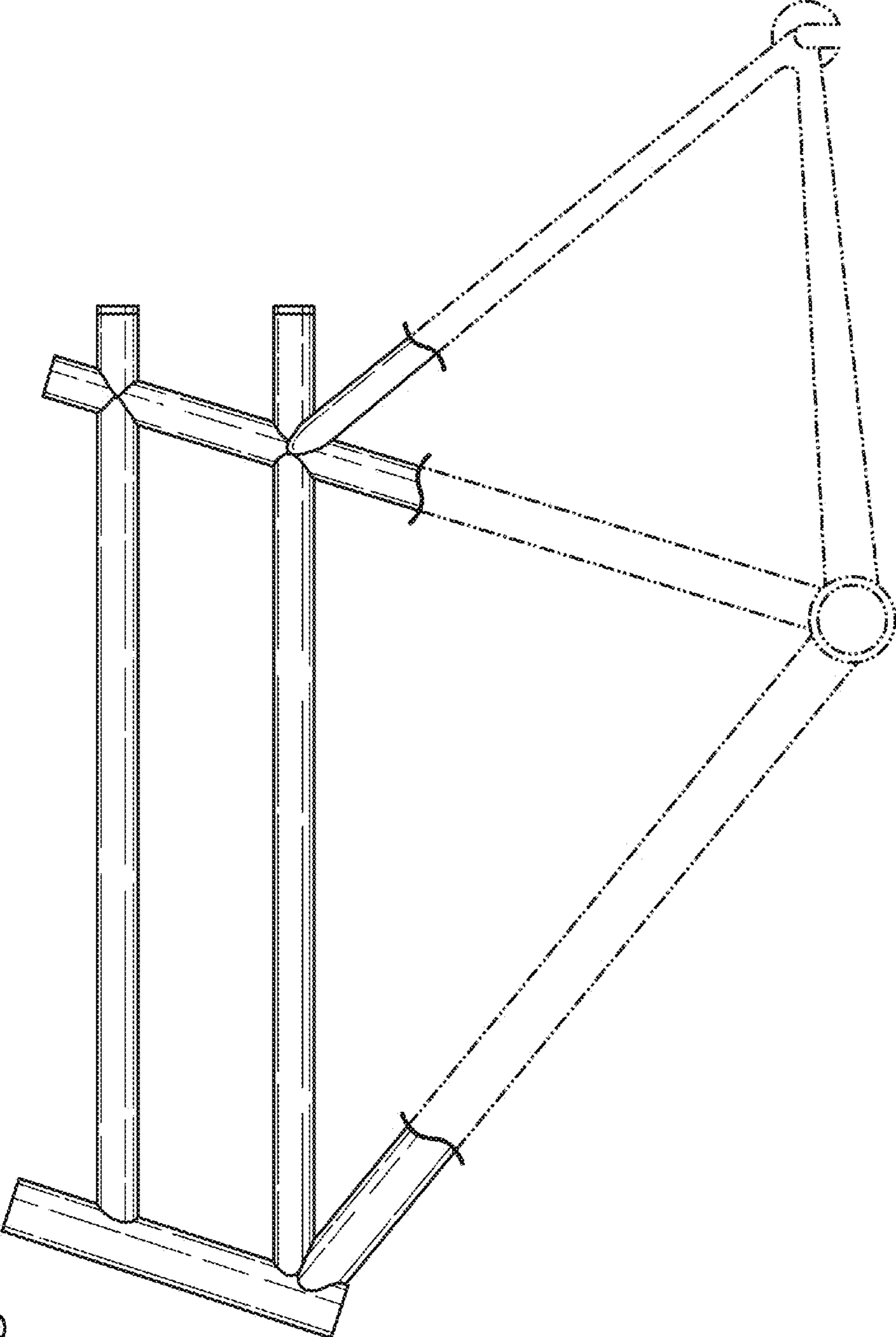


Fig. 3

Fig. 5

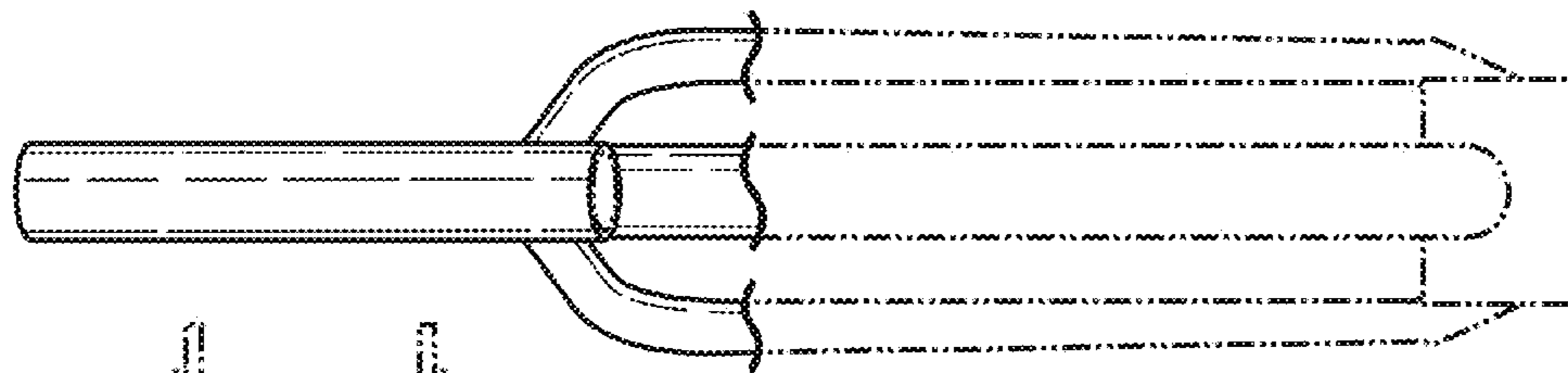


Fig. 4

